

PLEASE CHECK WWW.MOLEX.COM FOR LATEST PART INFORMATION

Part Number: **0621002000**
Status: **Active**
Overview: Application Tooling
Description: IDT - Manual - Handtool

Documents:

[RoHS Certificate of Compliance \(PDF\)](#)

General

| | |
|--------------------------------|---|
| Product Family | Application Tooling |
| Series | <u>207129</u> |
| Comments | Module for Milli-Grid |
| Function | Insulation Displacement (IDT) |
| Geographic Area | Global |
| Level of Automation | Manual |
| More Detailed Tech Information | applicationtooling@molex.com |
| Overview | <u>Application Tooling</u> |
| Product Name | N/A |
| Tool Type | IDT Hand Tool |
| UPC | 800753942936 |
| Warranty Disclaimer | CAUTION: Molex tooling crimp specifications are valid only when used with Molex terminals and tooling manufactured by Molex and sold by Molex or authorized distributors ("Molex Tooling"). When using tooling other than Molex Tooling with Molex specific connector systems listed in our ATS documents, the Molex tooling qualification does not apply and the responsibility for full qualification of the connector system is that of the customer. Molex accepts no liability for connector performance or tooling support where tooling other than Molex Tooling is used or where Molex Tooling is modified. |

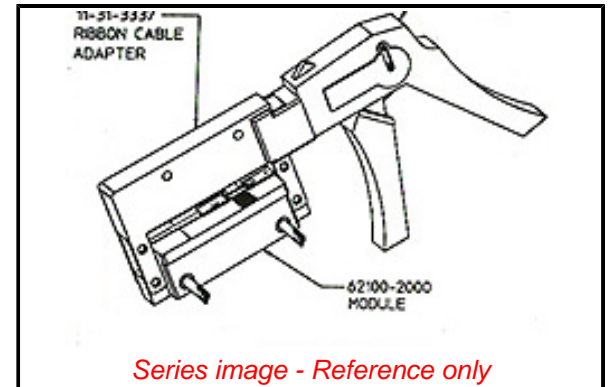
Physical

Net Weight 423.690/g

Material Info

Reference - Drawing Numbers

Application Tooling Documents ATS-621002000



Series image - Reference only

EU ELV

Not Relevant

EU RoHS

Compliant

REACH SVHC

Not Contained Per - ED/61/2018 (27 June 2018)

Halogen-Free

Status

Not Relevant

For more information, please visit [Contact US](#)

China ROHS

ELV

RoHS Phthalates

China RoHS

Not Relevant

Not Relevant

Not Contained

Search Parts in this Series

207129 Series

Use With

63600-0478

Mouser Electronics

Authorized Distributor

Click to View Pricing, Inventory, Delivery & Lifecycle Information:

[Molex:](#)

[62100-2000](#) [63463-0038](#)