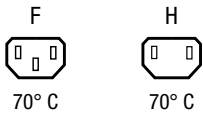


IEC Appliance Outlet F, Screw-on Mounting, Rear Side, PCB-/Solder Terminal



Description

- Panel Mount :
Screw-on mounting from rear-side
- 1 Function
- Connector , Pin temperature 70 °C , protection class I or II
- For PCB mounting

Approvals

- Approval Reference Type: 5001
- CSA Certification Record: 1896151
- CCC File Number: 2015180204000595 (PC I only / nur SK I)

Other versions on request

- For protection class II

References

Substitute for type [P675/PC](#)
Alternative: protection class II version

Weblinks

[pdf datasheet](#), [html-datasheet](#), [General Product Information](#), [Approvals](#), [CE declaration of conformity](#), [RoHS](#), [CHINA-RoHS](#), [REACH](#), [Distributor-Stock-Check](#), [Accessories](#), [Detailed request for product](#)

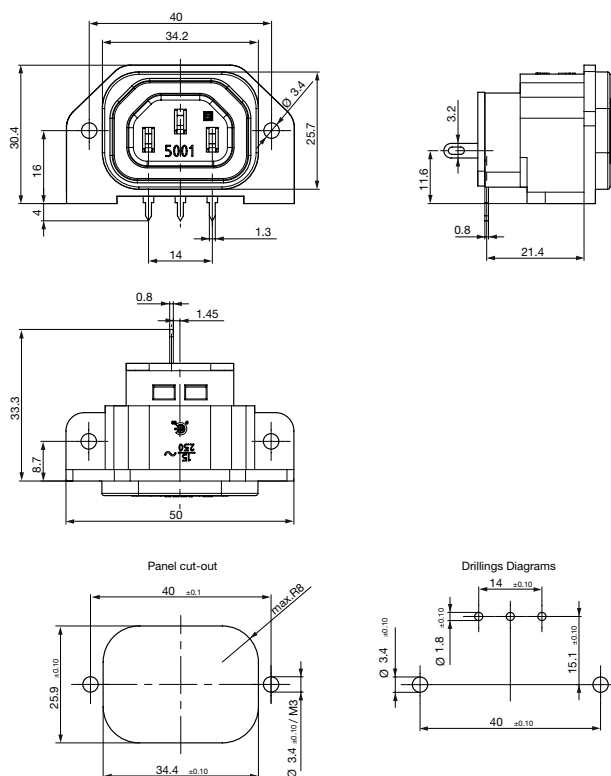
Technical Data

Ratings IEC	10A / 250VAC; 50Hz
Ratings UL/CSA	15A / 250VAC; 60Hz
Dielectric Strength	> 4 kVAC between L-N > 2 kVAC between L/N-PE (1 min/50Hz)
Allowable Operation Temperature	-25 °C to 70 °C
IP-Protection	from front side IP 20 acc. to IEC 60529
Insulation cover	Suitable for appliances with protection class I or II acc. to IEC 61140
Terminal	For PCB mounting ; Ground terminal: Solder terminal straight
Material: Housing	PA6, black / grey / white, UL 94V-0

appliance inlet/-outlet	F acc. to IEC 60320-1 UL 498, CSA C22.2 no. 42 (for cold conditions) pin-temperature 70 °C, 10A, Protection Class I or II
-------------------------	--

Detailed information on product approvals, code requirements, usage instructions and detailed test conditions can be looked up in [General Product Information](#)

Dimensions [mm]



Config. Code

5001 - H - A B C 0 - D - E O

The characters are placeholders for the correspondingly keys of selections from the key tables.

5001 - **H** - A B C 0 - D - E O = Type

Type	Configuration key
protection class II	B
protection class I	X

Terminal Ground


	Configuration key
without terminal	0
PCB-terminal long (additional solder terminal)	6

Symbols similar as in table A

5001 - H - A B C 0 - **D** - E O = Color

Color	Configuration key
Black	A
Grey	B
White	D

5001 - H - **A** B C 0 - D - E O = Terminals

Terminal L	Configuration key
PCB-terminal standard (additional solder terminal) 	4

5001 - H - A **B** C 0 - D - E O = Terminals

Terminal N	Configuration key
PCB-terminal standard (additional solder terminal)	4

Symbols similar as in table A

5001 - H - A B C 0 - D - **E** O = Style

Style	Configuration key
flange with through holes	2

5001 - H - A B C 0 - D - E **O** = Features

5001 - H - A B **C** 0 - D - E O = Terminals

Features

Configuration
key

--

All Variants

Config. Code	Description	Order Number
5001-X-4460-A-2	5001, IEC Connector F, 70°CI or II, L: PCB-terminal standard (additional solder terminal), N: PCB-terminal standard (additional solder terminal), ground: PCB-terminal long (additional solder terminal), color: Black, design: flange with through holes	6182.0033

The listed variants should be available from stock. Other versions on request www.schurter.com/contact

Most Popular.

Availability for all products can be searched real-time: <http://www.schurter.com/en/Stock-Check/Stock-Check-SCHURTER>

Packaging unit 50 Pcs

Mating Inlets/Plugs

Category / Description

[Plug Overview complete](#)



IEC Plug E, Cord Connector (Rewireable), Straight, max. cable Diameter 8.5 mm	4732
IEC Plug E, Cord Connector (Rewireable), Straight, max. Cable Diameter 10 mm	4735
IEC Plug E, Cord Connector (Rewireable), Straight	9009
IEC Plug E, Cord Connector (Rewireable), Angled, max. Cable Diameter 8.5 mm	4733
IEC Plug E, Cord Connector (Rewireable), Angled, max. Cable Diameter 10 mm	4736

[Plug further types to 5001](#)

...