

注) NOTES

- 材質  
MATERIAL  
ハウジング : ガラス入りPPS、茶色、UL94V-0  
HOUSING: G.F.PPS, BROWN, UL94V-0  
ターミナル : 銅合金 (t=0.2)  
TERMINAL: COPPER ALLOY
- メッキ仕様  
PLATING  
接点部 : 金メッキ 0.25 μmMIN.  
CONTACT AREA: GOLD 0.25 μmMIN.  
半田付け部 : 錫メッキ 1.0 μmMIN.  
SOLDER TAIL AREA: TIN 1.0 μmMIN.  
下地メッキ : ニッケルメッキ 1.5 μmMIN.  
UNDER-PLATING: NICKEL 1.5 μmMIN.
- テールのバラツキ寸法  
TAIL COPLANARITY  
テール平坦度は 0.1MAX. とする。  
TAIL COPLANARITY TO BE 0.1 MAX.
- エンボス対応済みの極数については、SD-53481-002を参照下さい。  
FOR THE EMBOSSED PACKAGE PRODUCTS, SEE SD-53481-002.
- 本製品は53481-\*\*\*7の鉛フリー品である。  
THIS PRODUCT IS LEAD FREE OF 53481-\*\*\*7.

7 mm	52760-***0
基板間寸法 STACKING HEIGHT	嵌合相手 TO BE MATED WITH

MODEL NO.	53481-***67	ハウジングロック HS'G LOCK	有り YES	22.02	25.92	20.92	18.415	53481-0668	53481-0667	60
			D	C	B	A	エンボス梱包 EMBOSSED PACKAGING	製品番号 MATERIAL NO.	極数 CKT. NO.	

THIS DRAWING CONTAINS INFORMATION THAT IS PROPRIETARY TO MOLEX ELECTRONIC TECHNOLOGIES, LLC AND SHOULD NOT BE USED WITHOUT WRITTEN PERMISSION

SCALE: 4:1

GENERAL TOLERANCES (UNLESS SPECIFIED)

PLACES	MM	INCH
4 PLACES	±	±
3 PLACES	±	±
2 PLACES	±	±
1 PLACE	±	±
0 PLACES	±	±

ANGULAR TOL ± 3.0°

DRAFT WHERE APPLICABLE MUST REMAIN WITHIN DIMENSIONS

THIRD ANGLE PROJECTION

DRAWING: A3-SIZE

SERIES: 53481

MATERIAL NUMBER: SEE TABLE

CUSTOMER: GENERAL MARKET

SHEET NUMBER: 1 OF 1

CURRENT REV DESC:

EC NO: 620398  
DRWN: AKUMAR19 2019/01/07  
CHK'D: GGA 2019/10/18  
APPR: GGA 2019/10/18

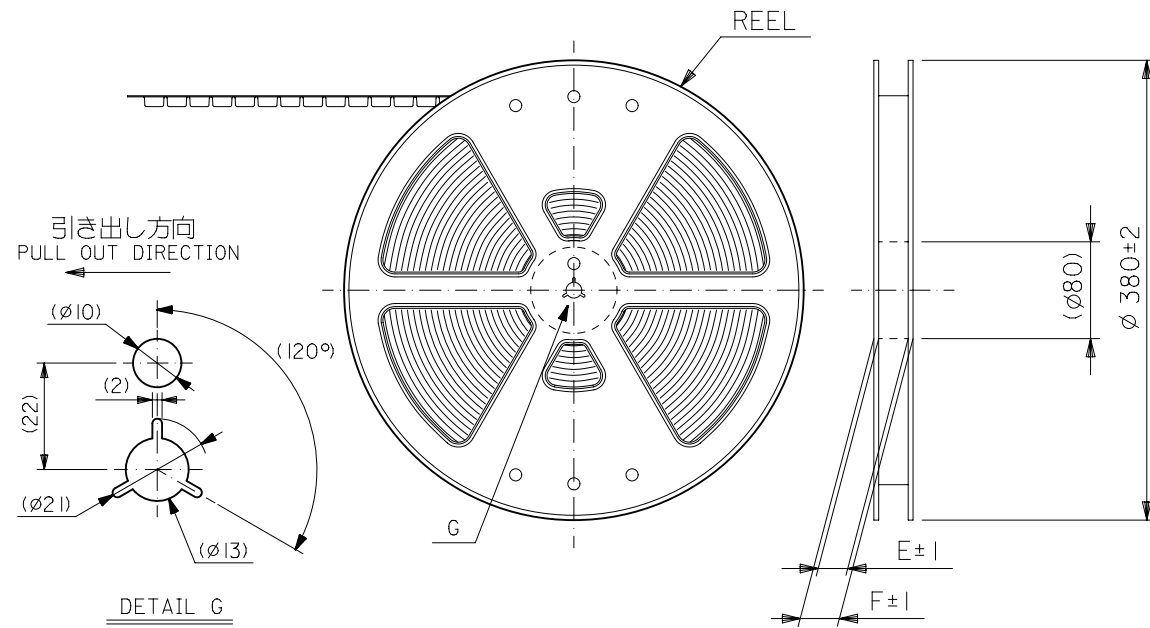
INITIAL REVISION:  
DRWN: H.KAWABATA 2004/03/08  
APPR: M.SASAO 2004/03/08

**molex**

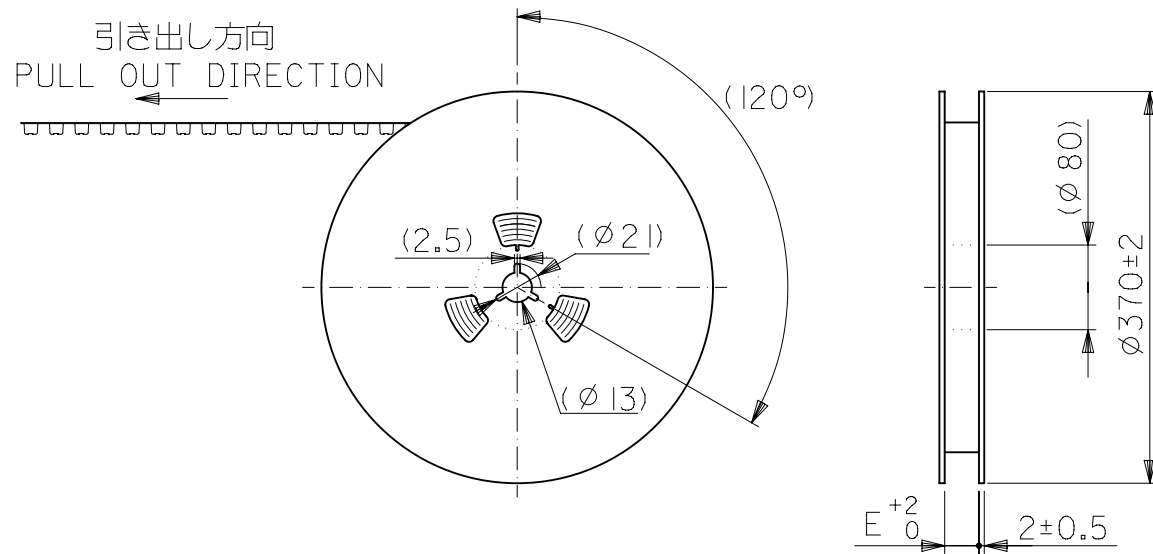
0.635 PITCH B-TO-B S/T  
PLUG HSG ASSY - LEAD FREE-

PRODUCT CUSTOMER DRAWING

DOCUMENT NUMBER: SD-53481-001  
DOC TYPE: PSD  
DOC PART: 001  
REVISION: C



キャリアテープ幅：24mm～56mm  
CARRIER TAPE WIDTH : 24mm-56mm



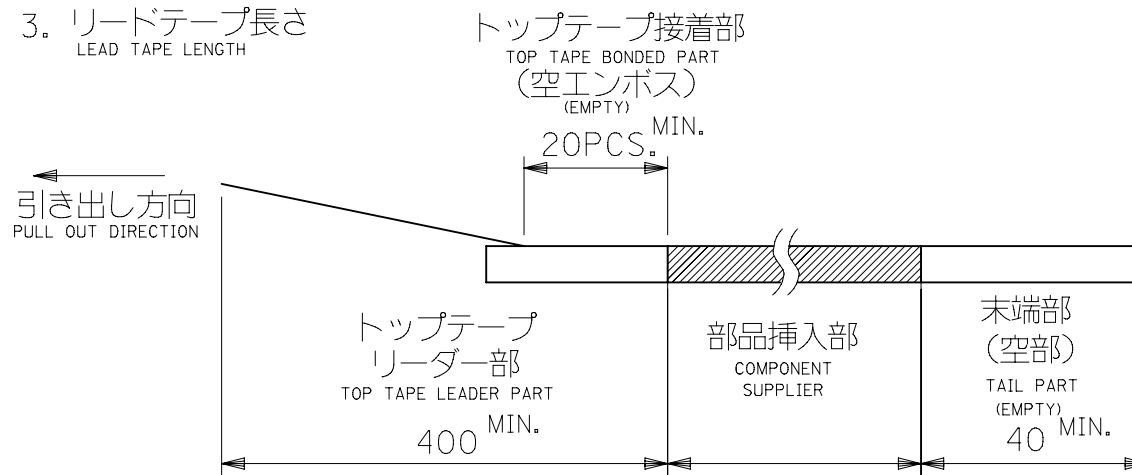
キャリアテープ幅：72mm～104mm  
CARRIER TAPE WIDTH : 72mm-104mm

注) NOTES

1. 製品番号 53481-\*\*\*67 の詳細寸法については、SD-53481-001 を参照下さい。  
IN THE PACKAGE ,PART NO.53481-\*\*\*67 DETAILED DIMENSIONS ,SEE SD-53481-001.

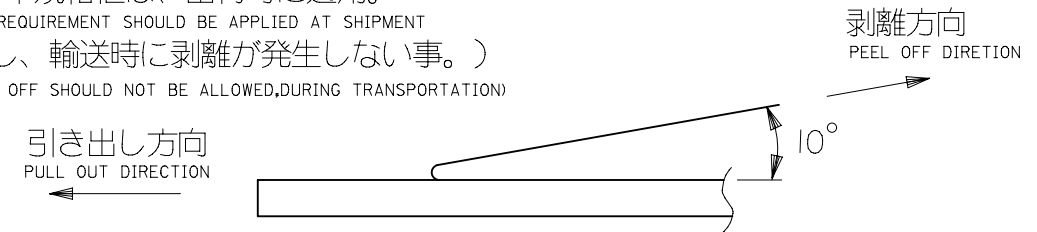
2. 梱包数量 : NUMBER OF CONNECTORS :

CIRCUITS	NUMBER
OTHERS	1000 PCS/REEL
240	800 PCS/REEL



4. トップテープの剥離強度 (剥離方向は下図参照)  
PEELING OFF FORCE OF TOP TAPE (PEELING DIRECTION AS SHOWN IN FOLLOWING FIG.)  
0. 1~1. 3N {10~130gf} : キャリアテープ幅24mm~104mm  
0.1~1.3N {10~130gf} : キャリアテープ幅24mm~104mm

尚、本規格値は、出荷時に適用。  
THIS REQUIREMENT SHOULD BE APPLIED AT SHIPMENT  
(但し、輸送時に剥離が発生しない事。)  
(PEEL OFF SHOULD NOT BE ALLOWED,DURING TRANSPORTATION)

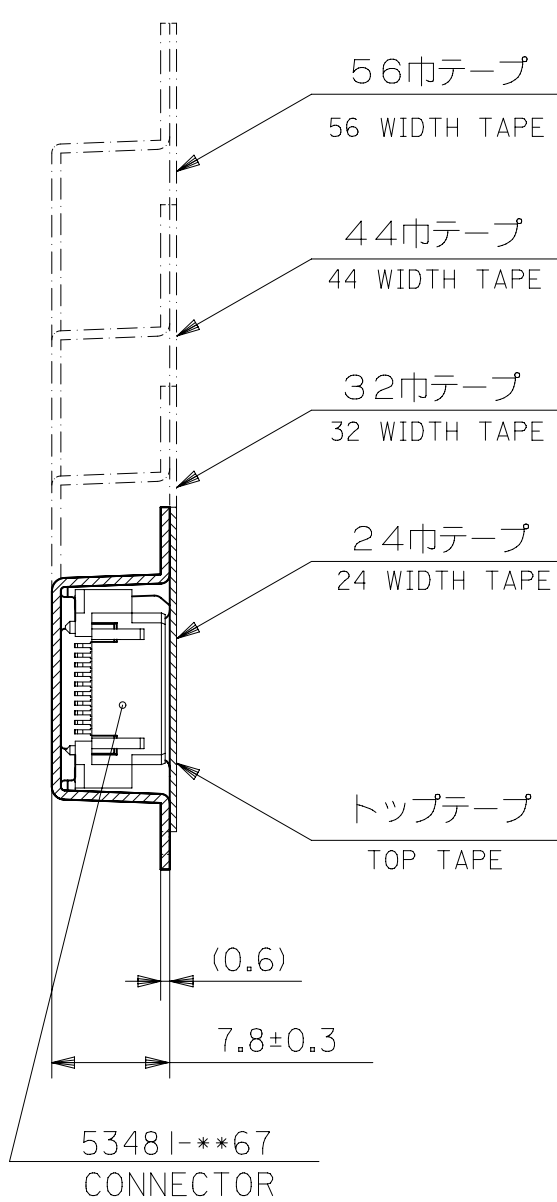
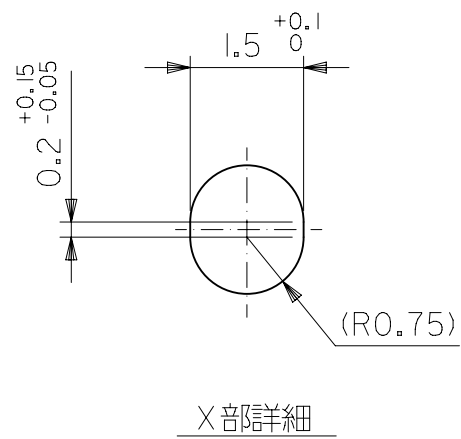
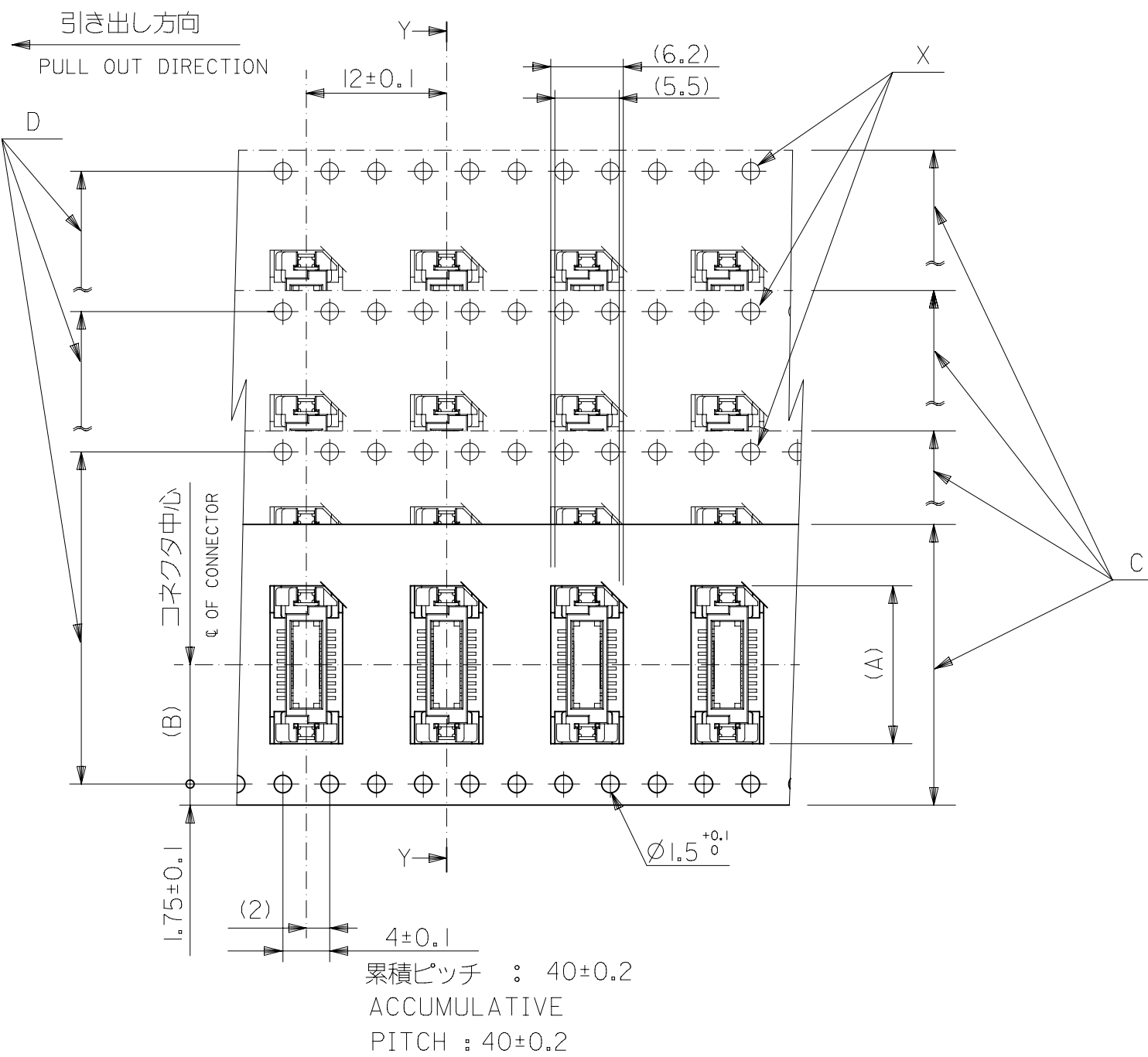


5. 材料 MATERIAL  
キャリアテープ : ポリプロピレン (PP)  
CARRIER TAPE : POLYPROPYLENE (PP)  
トップテープ : PET, PE, PEF  
TOP TAPE : PET, PE, PEF  
リール REEL : キャリアテープ幅 24mm~56mm : ポリスチレン  
CARRIER TAPE WIDTH 24mm-56mm : POLYSTYRENE  
キャリアテープ幅 72mm~104mm : 紙  
CARRIER TAPE WIDTH 72mm-104mm : CARD BOARD

6. 本製品は53481-\*\*\*8の鉛フリー品である。  
THIS PRODUCT IS LEAD FREE OF 53481-\*\*\*8.

53481-\*\*\*68  
MODEL NO.

DIMENSION UNITS		SCALE		CURRENT REV DESC:				molex					
mm		NTS		EC NO: 620398				53481-***87 TAPING PACKAGE -LEAD FREE-					
GENERAL TOLERANCES (UNLESS SPECIFIED)				DRWN: AKUMAR19 2019/01/07									
				CHK'D: GGA 2019/10/18				PRODUCT CUSTOMER DRAWING					
				APPR: GGA 2019/10/18									
				INITIAL REVISION:				DOCUMENT NUMBER SD-53481-002					
				DRWN: H.KAWABATA 2004/03/08									
				APPR: M.SASAO 2004/03/08				DOC TYPE PSD		DOC PART 001		REVISION C	
DRAFT WHERE APPLICABLE MUST REMAIN WITHIN DIMENSIONS		THIRD ANGLE PROJECTION		DRAWING A3-SIZE		SERIES 53481		MATERIAL NUMBER SEE TABLE		CUSTOMER GENERAL MARKET		SHEET NUMBER 1 OF 2	



断面 Y-Y  
SECTION Y-Y

49.4	45.4	40.4	44 <sup>+0.3</sup>	20.2	26.2	53481-0668	60
F	E	D	C キャリアテープ幅 CARRIER TAPE WIDTH	(B)	(A)	MATERIAL NO.	極数 NO. OF CKTS.
						MODEL NO.	53481-***68

THIS DRAWING CONTAINS INFORMATION THAT IS PROPRIETARY TO MOLEX ELECTRONIC TECHNOLOGIES, LLC AND SHOULD NOT BE USED WITHOUT WRITTEN PERMISSION

DIMENSION UNITS		SCALE		CURRENT REV DESC:				<b>molex</b>					
mm		NTS											
GENERAL TOLERANCES (UNLESS SPECIFIED)								53481-***87 TAPING PACKAGE -LEAD FREE-					
		MM	INCH	EC NO: 620398				PRODUCT CUSTOMER DRAWING					
4 PLACES	±			DRWN: AKUMAR19 2019/01/07				DOCUMENT NUMBER					
3 PLACES	±			CHK'D: GGA 2019/10/18				DOC TYPE					
2 PLACES	±			APPR: GGA 2019/10/18				DOC PART					
1 PLACE	±			INITIAL REVISION:				REVISION					
0 PLACES	±			DRWN: H.KAWABATA 2004/03/08				SD-53481-002					
ANGULAR TOL		±	°	APPR: M.SASAO 2004/03/08				PSD 001 C					
DRAFT WHERE APPLICABLE MUST REMAIN WITHIN DIMENSIONS				THIRD ANGLE PROJECTION		DRAWING		SERIES		MATERIAL NUMBER		CUSTOMER	
						A3-SIZE		53481		SEE TABLE		GENERAL MARKET	
												SHEET NUMBER	
												2 OF 2	