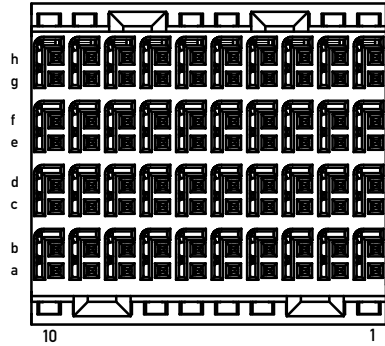
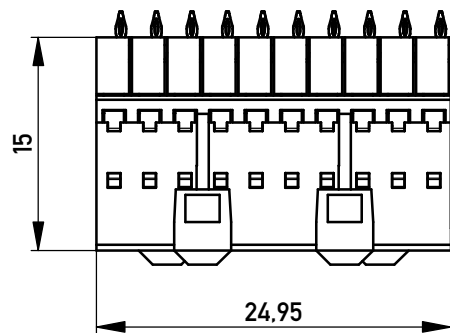
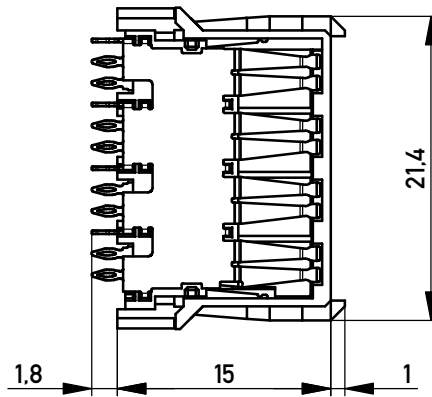
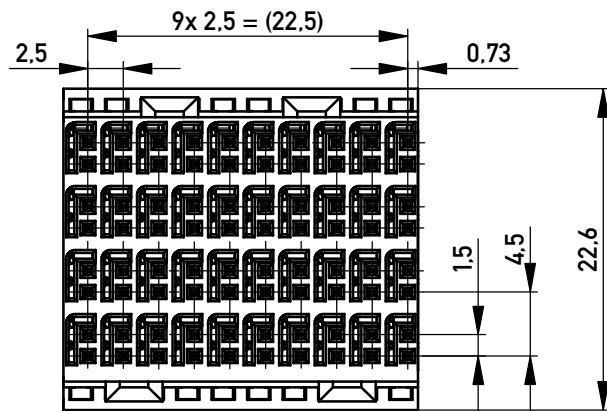


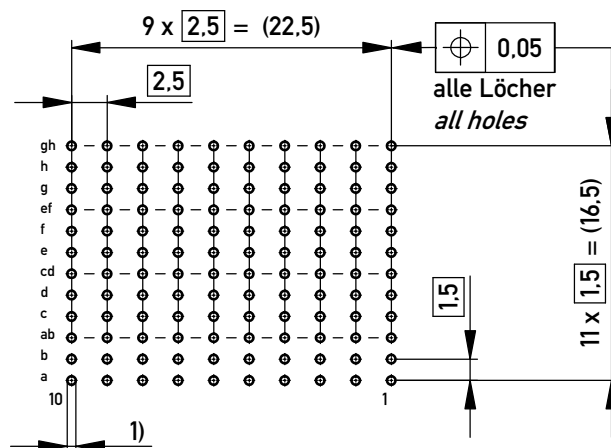
Bestückungsplan
contact layout



a - h = bestückt
a - h = assembled



Lochbild für Leiterplatte (Bestückungsseite)
Board hole pattern (component mounting side)



- 1) $\varnothing 0.6 \pm 0.05$ Durchmesser des metallisierten Loches
 $\varnothing 0.6 \pm 0.05$ diameter of finished plated-through hole

Schichtaufbau im metallisierten Loch siehe Zeichnung 164062 Nr.1
Metal plating of plated-through hole see drawing 164062 No.1

Fehlende Maße und Angaben nach IEC 61076-4-101
Missing information and dimensions per IEC 61076-4-101

134974	EN	natur / <i>ecru</i>	18mm
Ident. - Nr.	Anschluss <i>termination</i>	Gehäusefarbe <i>housing colour</i>	Abstand Leiterplatte <i>board to board distance</i>
Information:		Tolerances	Scale 2:1
All rights reserved. Only for Information. To ensure that this is the latest version of this drawing, please contact one of the ERNI companies before using.		 All Dimensions in mm	Designation ERmetZD FS 18 Federleiste 4-10 <i>ERmetZD FS 18 Female 4-10</i>
 www.ERNI.com		134970	
g	03.05.2018	Class ERMZD	
Index	Date	i A3	

Copyright by ERNI Production GmbH & Co. KG
Proprietary notice pursuant to ISO 16016 to be observed.

Mouser Electronics

Authorized Distributor

Click to View Pricing, Inventory, Delivery & Lifecycle Information:

[ERNI Electronics:](#)

[134974](#)