

**FEATURES**

- Large Active Area
- Low Noise
- High Sensitivity
- Custom Gains Available
- Hermetically Sealed TO-39
- Blue Enhanced Detector

**Electro-Optical Characteristics at 23°C**

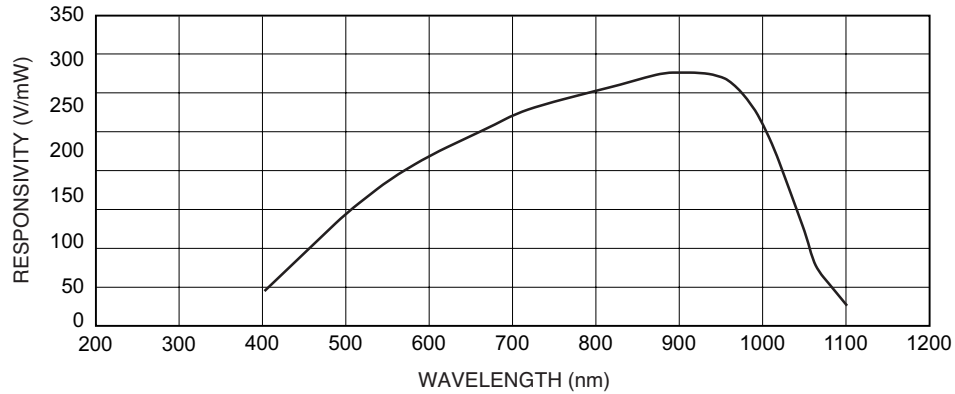
| Parameters                 | Test Conditions                                       | Min | Typ  | Max     | Units                        |
|----------------------------|---|-----|------|---------|------------------------------|
| Dark Offset                | $V_s = \pm 5 \text{ V}$                               |     | 1    | $\pm 2$ | mV                           |
| Dark Offset Noise          | $V_s = \pm 5$<br>BW = 0.1 to 135 kHz                  |     | 283  | 500     | $\mu\text{V rms}$            |
| Sensitivity                | $V_s = \pm 5 \text{ V}$<br>$\lambda = 450 \text{ nm}$ | 100 | 140  |         | $\text{V}/\mu\text{W}$       |
| Frequency Response (-3 db) | $V_s = \pm 5 \text{ V}$<br>$\lambda = 940 \text{ nm}$ | 100 | 130  |         | Hz                           |
| NEP                        | $\lambda = 940 \text{ nm}$                            |     | 0.06 |         | $\text{pW}/\sqrt{\text{Hz}}$ |
| Transimpedance Gain        |   |     | 500  |         | $\text{M}\Omega$             |
| Supply Current             |   |     | 850  | 950     | $\mu\text{A}$                |

**Absolute Ratings**

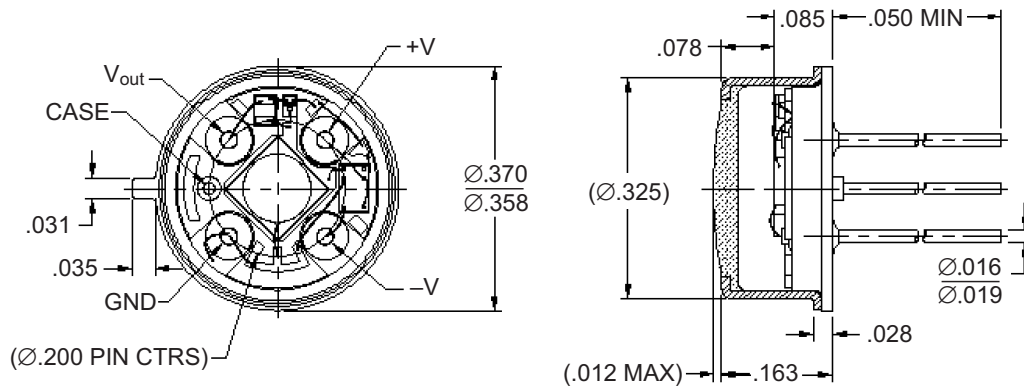
| Parameters  | Units         |
|---|---------------|
| Voltage Supply Range +V to -V*                            | 5 to 15 V     |
| Power Dissipation   | 15 mW         |
| Storage and Operating Temperature                         | -25 to +100°C |
| Soldering Temperature (1/16" from case for 3 seconds max) | +260°C        |

\*Voltage supply across the device requires a minimum of 5 V to a maximum of 15 V from +V to -V.

**Typical Spectral Response**

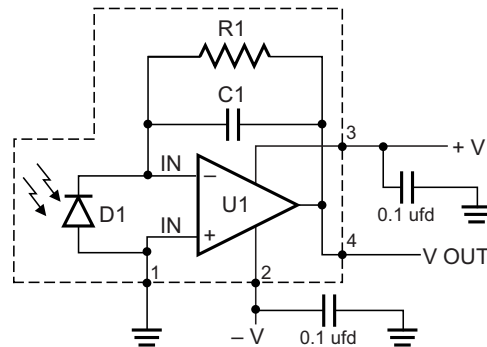


**Package Information**



SHOWN WITH CAP REMOVED FOR CLARITY

Dimensions are in inch [metric] units.



Specifications are subject to change without prior notice.