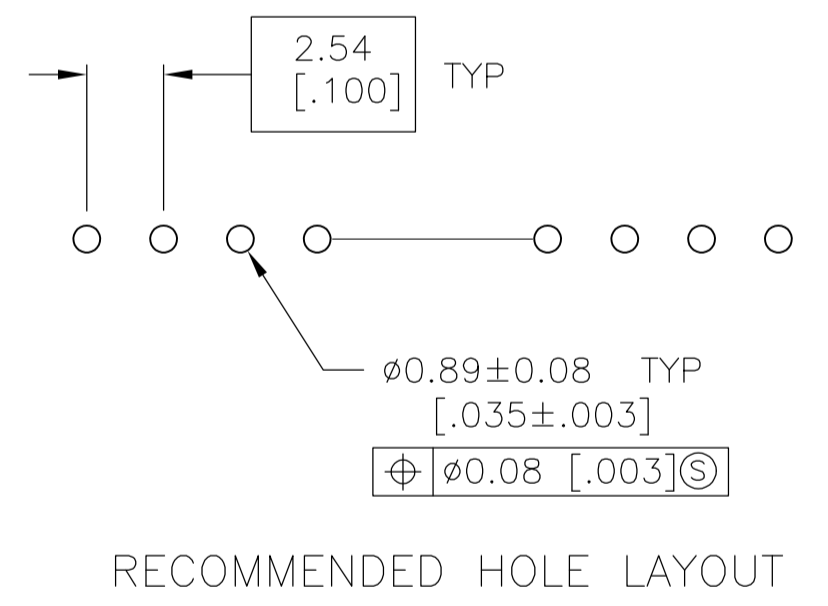
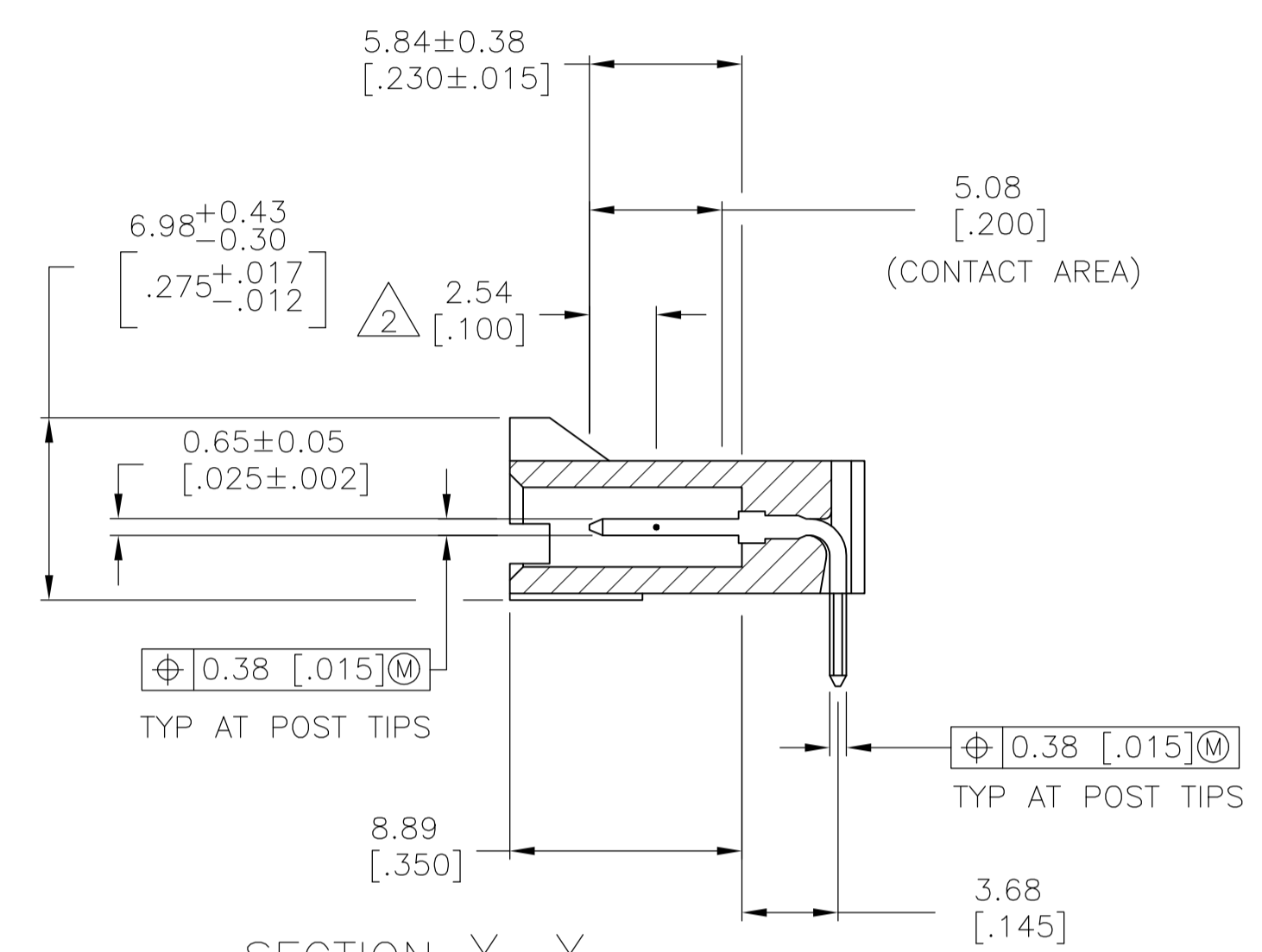
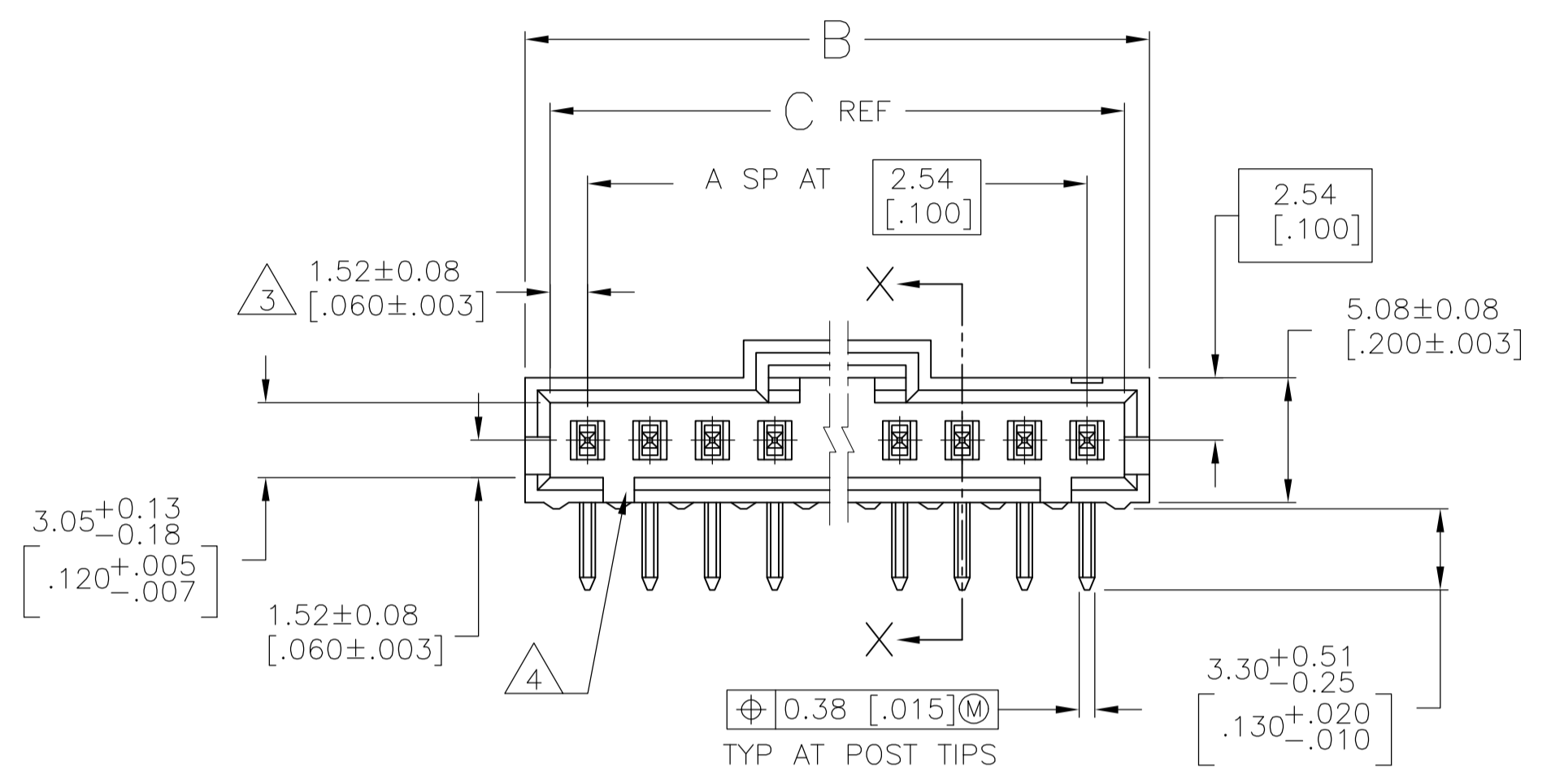
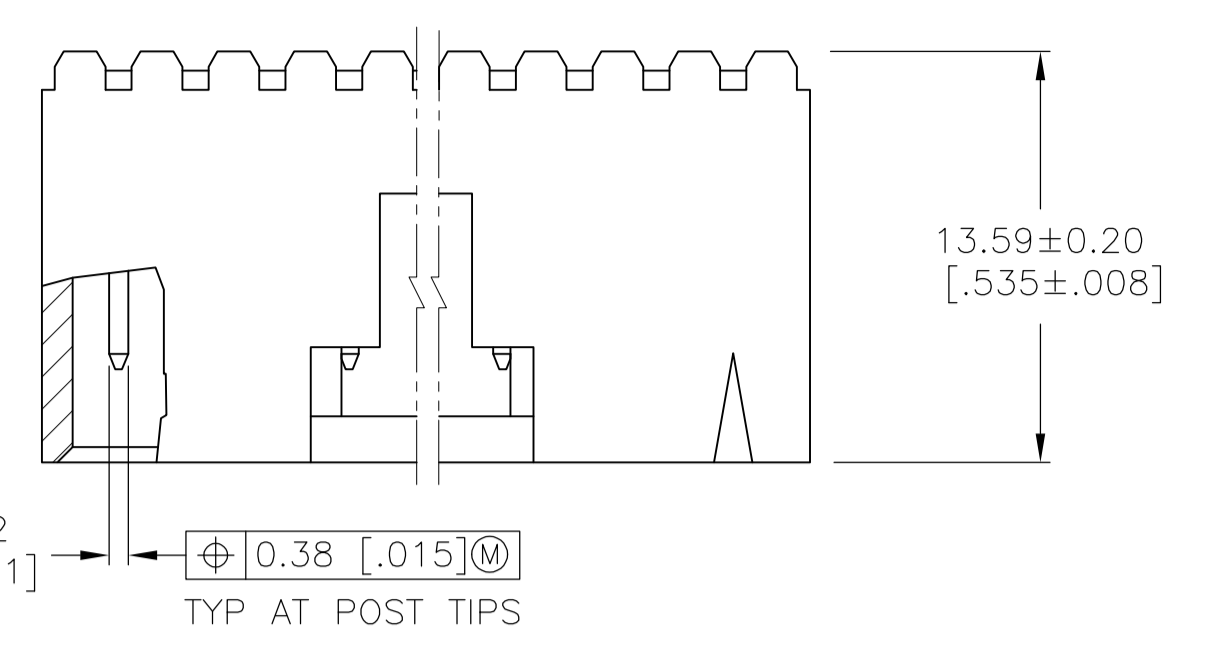


REVISIONS					
REV	DATE	DESCRIPTION	BY	APPV	MM
U4	20SEP2016	REVISED PER ECO-16-013470	BW	MM	
V	08APR2017	REVISED PER ECO-17-002584	BDA	MM	

- 1 .000100 BRIGHT TIN-LEAD OVER .000050 NICKEL.
- 2 POINT OF MEASUREMENT FOR PLATING THICKNESS.
- 3 THE NOTED DIMENSIONS APPLY AT THE INTERSECTION OF THE POST AND THE HOUSING.
- 4 ON ASSEMBLIES WITH FOUR OR MORE POSITIONS, TWO POLARIZATION SLOTS. ON ASSEMBLIES WITH TWO OR THREE POSITIONS, ONE POLARIZATION SLOT.
- 5 .000100 BRIGHT TIN OVER .000050 NICKEL.
- 6 PRELIMINARY PART - NOT RELEASED FOR PRODUCTION.
- 7 .000100 MATTE TIN OVER .000050 NICKEL.
- 8 HIGH TEMPERATURE CONFIGURATION
- 9 OBSOLETE PARTS: OBSOLETE CIS STREAMLINING PER D.RENAUD/D.SINISI



REMARKS	PLATING	C	B	A	NO. OF POSN	PART NO.
9		64.01 [2.520]	65.91 [2.595]	24	25	7-103634-4
9		61.47 [2.420]	63.37 [2.495]	23	24	7-103634-3
9		58.93 [2.320]	60.83 [2.395]	22	23	7-103634-2
9		56.39 [2.220]	58.29 [2.295]	21	22	7-103634-1
9		53.85 [2.120]	55.75 [2.195]	20	21	7-103634-0
9		51.31 [2.020]	53.21 [2.095]	19	20	6-103634-9
9		48.77 [1.920]	50.67 [1.995]	18	19	6-103634-8
9		46.23 [1.820]	48.13 [1.895]	17	18	6-103634-7
9		43.69 [1.720]	45.59 [1.795]	16	17	6-103634-6
9		41.15 [1.620]	43.05 [1.695]	15	16	6-103634-5
9		38.61 [1.520]	40.51 [1.595]	14	15	6-103634-4
9		36.07 [1.420]	37.97 [1.495]	13	14	6-103634-3
9		33.53 [1.320]	35.43 [1.395]	12	13	6-103634-2
9		30.99 [1.220]	32.89 [1.295]	11	12	6-103634-1
9		28.45 [1.120]	30.35 [1.195]	10	11	6-103634-0
9		25.91 [1.020]	27.81 [1.095]	9	10	5-103634-9
9		23.37 [.920]	25.27 [.995]	8	9	5-103634-8
9		20.83 [.820]	22.73 [.895]	7	8	5-103634-7
9		18.29 [.720]	20.19 [.795]	6	7	5-103634-6
9		15.75 [.620]	17.65 [.695]	5	6	5-103634-5
9		13.21 [.520]	15.11 [.595]	4	5	5-103634-4
9		10.67 [.420]	12.57 [.495]	3	4	5-103634-3
9		8.13 [.320]	10.03 [.395]	2	3	5-103634-2
9		5.59 [.220]	7.49 [.295]	1	2	5-103634-1

9 SUPERCEDED BY 7-103634-4

OBSOLETE 9

9 SUPERCEDED BY 6-103634-6

REMARK	PLATING	C	B	A	NO. OF POSN	PART NO.
9		30.99 [1.220]	32.89 [1.295]	11	12	3-103634-4
9		25.91 [1.020]	27.81 [1.095]	9	10	3-103634-3
9		23.37 [.920]	25.27 [.995]	8	9	3-103634-2
9		18.29 [.720]	20.19 [.795]	6	7	3-103634-1
9		15.75 [.620]	17.65 [.695]	5	6	3-103634-0
9		5.59 [.220]	7.49 [.295]	1	2	2-103634-9
9		41.15 [1.620]	43.05 [1.695]	15	16	2-103634-8
9		13.21 [.520]	15.11 [.595]	4	5	2-103634-7
9		10.67 [.420]	12.57 [.495]	3	4	2-103634-6
9		8.13 [.320]	10.03 [.395]	2	3	2-103634-5
9		64.01 [2.520]	65.91 [2.595]	24	25	2-103634-4
9		61.47 [2.420]	63.37 [2.495]	23	24	2-103634-3
9		58.93 [2.320]	60.83 [2.395]	22	23	2-103634-2
9		56.39 [2.220]	58.29 [2.295]	21	22	2-103634-1
9		53.85 [2.120]	55.75 [2.195]	20	21	2-103634-0
9		51.31 [2.020]	53.21 [2.095]	19	20	1-103634-9
9		48.77 [1.920]	50.67 [1.995]	18	19	1-103634-8
9		46.23 [1.820]	48.13 [1.895]	17	18	1-103634-7
9		43.69 [1.720]	45.59 [1.795]	16	17	1-103634-6
9		41.15 [1.620]	43.05 [1.695]	15	16	1-103634-5
9		38.61 [1.520]	40.51 [1.595]	14	15	1-103634-4
9		36.07 [1.420]	37.97 [1.495]	13	14	1-103634-3
9		33.53 [1.320]	35.43 [1.395]	12	13	1-103634-2
9		30.99 [1.220]	32.89 [1.295]	11	12	1-103634-1
9		28.45 [1.120]	30.35 [1.195]	10	11	1-103634-0
9		25.91 [1.020]	27.81 [1.095]	9	10	103634-9
9		23.37 [.920]	25.27 [.995]	8	9	103634-8
9		20.83 [.820]	22.73 [.895]	7	8	103634-7
9		18.29 [.720]	20.19 [.795]	6	7	103634-6
9		15.75 [.620]	17.65 [.695]	5	6	103634-5
9		13.21 [.520]	15.11 [.595]	4	5	103634-4
9		10.67 [.420]	12.57 [.495]	3	4	103634-3
9		8.13 [.320]	10.03 [.395]	2	3	103634-2
9		5.59 [.220]	7.49 [.295]	1	2	103634-1

THIS DRAWING IS A CONTROLLED DOCUMENT.

DIMENSIONS: mm [INCHES]

TOLERANCES UNLESS OTHERWISE SPECIFIED:

0. PLC	±	-
1. PLC	±	-
2. PLC	±	-
3. PLC	±	-
4. PLC	±	-
ANGLES	±	-

MATERIAL: HOUSING FINISH: SEE TABLE

WEIGHT: -

CUSTOMER DRAWING

DIN: S. SHUEY 3-5-91

CHK: L. CASTAGNA 3-27-91

APPV: L. CASTAGNA 3-27-91

NAME: L. CASTAGNA

PRODUCT SPEC: 108-25034

APPLICATION SPEC: 114-25026

SIZE: A1

SCALE: 4:1

SHEET: 1 of 1

REV: V

RESTRICTED TO: -

TE Connectivity

HDRASSY, RTANGLE, SINGLEROW, 2.54[.100]C/L0.64[.025]SQPST, WITHPLZN&LATCHING,AMPMODUMTE

Mouser Electronics

Authorized Distributor

Click to View Pricing, Inventory, Delivery & Lifecycle Information:

[TE Connectivity:](#)

[103634-1](#)