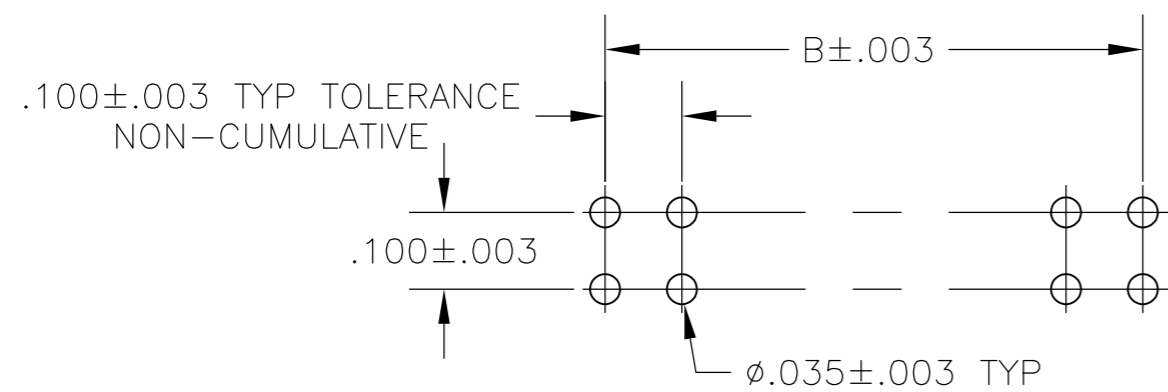
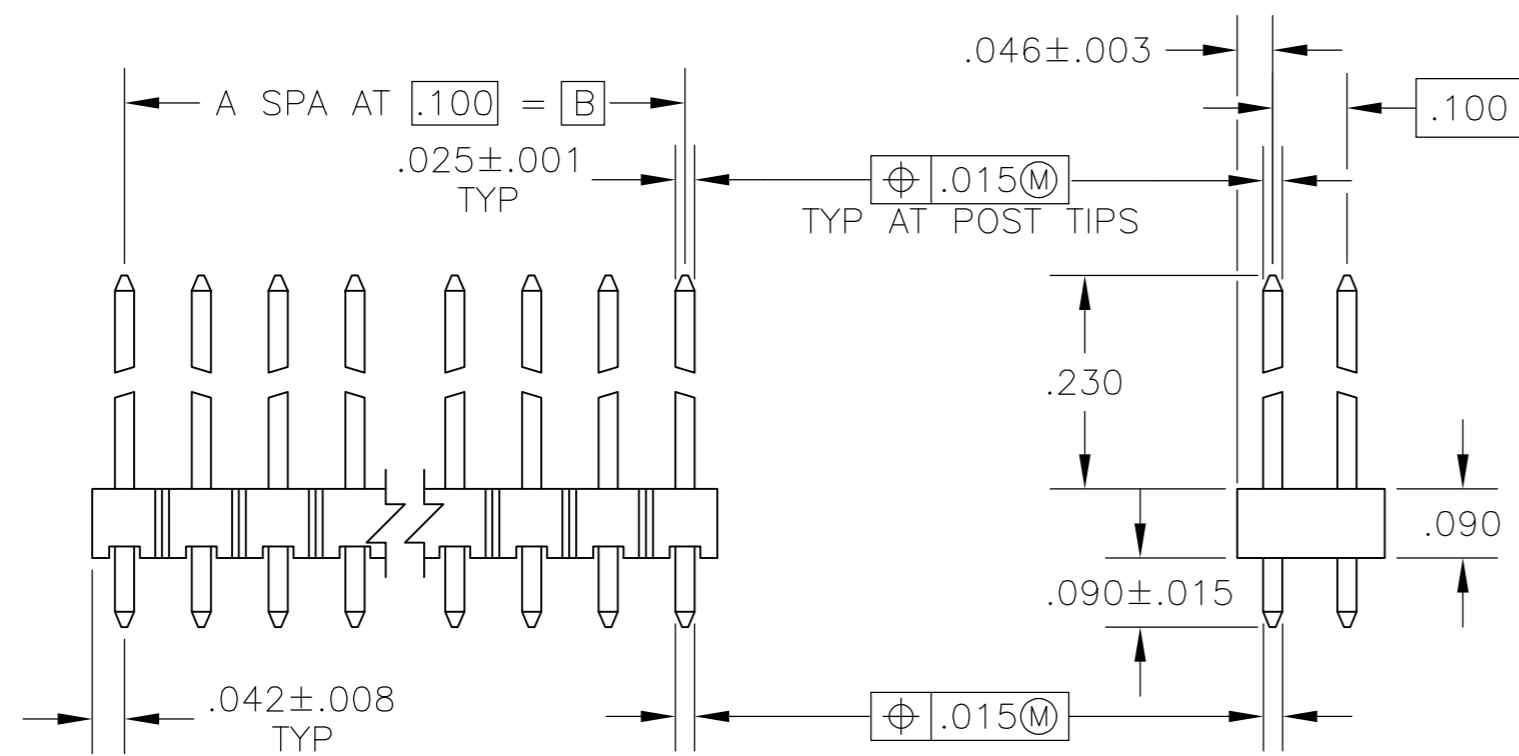
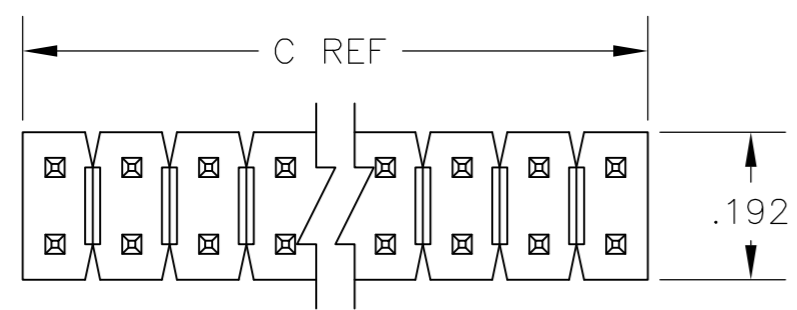


THIS DRAWING IS UNPUBLISHED. RELEASED FOR PUBLICATION  
 © COPYRIGHT - By - ALL RIGHTS RESERVED.

LOC		DIST		REVISIONS					
AD		00		P	LTR	DESCRIPTION	DATE	DWN	APVD
				F2		REVISED PER ECO-11-004820	11MAR11	RK	HMR



RECOMMENDED HOLE LAYOUT

- 1 ASSEMBLIES MAY BE BROKEN TO THE DESIRED NUMBER OF POSITIONS
- 2 TRUE POSITION TOLERANCE OF THE POST TIPS APPLIES WHEN THE HEADERS ARE HELD FLAT AGAINST THE PRINTED CIRCUIT BOARD
- 3 .000100-.000200 MATTE TIN-LEAD OVER .000050 NICKEL ENTIRE POST
- 4 OBSOLETE PARTS: OBSOLETE CIS STREAMLINING PER D.RENAUD/D.SINISI

<div style="border: 1px solid black; padding: 5px; display: inline-block;"> <p style="font-size: 2em; margin: 0;">4</p> </div> <div style="border: 1px solid black; padding: 5px; display: inline-block; writing-mode: vertical-rl; transform: rotate(180deg);"> <p style="margin: 0;">OBSOLETE</p> </div>	3.984	3.900	39	80	4-103777-0
	<del>3.884</del>	<del>3.800</del>	<del>38</del>	<del>78</del>	<del>3- -9</del>
	<del>3.784</del>	<del>3.700</del>	<del>37</del>	<del>76</del>	<del>3- -8</del>
	<del>3.684</del>	<del>3.600</del>	<del>36</del>	<del>74</del>	<del>3- -7</del>
	<del>3.584</del>	<del>3.500</del>	<del>35</del>	<del>72</del>	<del>3- -6</del>
	<del>3.484</del>	<del>3.400</del>	<del>34</del>	<del>70</del>	<del>3- -5</del>
	<del>3.284</del>	<del>3.300</del>	<del>33</del>	<del>68</del>	<del>3- -4</del>
	<del>3.284</del>	<del>3.200</del>	<del>32</del>	<del>66</del>	<del>3- -3</del>
	<del>3.184</del>	<del>3.100</del>	<del>31</del>	<del>64</del>	<del>3- -2</del>
	<del>3.084</del>	<del>3.000</del>	<del>30</del>	<del>62</del>	<del>3- -1</del>
	<del>2.984</del>	<del>2.900</del>	<del>29</del>	<del>60</del>	<del>3- -0</del>
	<del>2.884</del>	<del>2.800</del>	<del>28</del>	<del>58</del>	<del>2- -9</del>
	<del>2.784</del>	<del>2.700</del>	<del>27</del>	<del>56</del>	<del>2- -8</del>
	<del>2.684</del>	<del>2.600</del>	<del>26</del>	<del>54</del>	<del>2- -7</del>
	<del>2.584</del>	<del>2.500</del>	<del>25</del>	<del>52</del>	<del>2- -6</del>
	<del>2.484</del>	<del>2.400</del>	<del>24</del>	<del>50</del>	<del>2- -5</del>
	<del>2.384</del>	<del>2.300</del>	<del>23</del>	<del>48</del>	<del>2- -4</del>
	<del>2.284</del>	<del>2.200</del>	<del>22</del>	<del>46</del>	<del>2- -3</del>
	<del>2.184</del>	<del>2.100</del>	<del>21</del>	<del>44</del>	<del>2- -2</del>
	<del>2.084</del>	<del>2.000</del>	<del>20</del>	<del>42</del>	<del>2- -1</del>
<del>1.984</del>	<del>1.900</del>	<del>19</del>	<del>40</del>	<del>2- -0</del>	
<del>1.884</del>	<del>1.800</del>	<del>18</del>	<del>38</del>	<del>1- -9</del>	
<del>1.784</del>	<del>1.700</del>	<del>17</del>	<del>36</del>	<del>1- -8</del>	
<del>1.684</del>	<del>1.600</del>	<del>16</del>	<del>34</del>	<del>1- -7</del>	
<del>1.584</del>	<del>1.500</del>	<del>15</del>	<del>32</del>	<del>1- -6</del>	
<del>1.484</del>	<del>1.400</del>	<del>14</del>	<del>30</del>	<del>1- -5</del>	
<del>1.384</del>	<del>1.300</del>	<del>13</del>	<del>28</del>	<del>1- -4</del>	
<del>1.284</del>	<del>1.200</del>	<del>12</del>	<del>26</del>	<del>1- -3</del>	
<del>1.184</del>	<del>1.100</del>	<del>11</del>	<del>24</del>	<del>1- -2</del>	
<del>1.084</del>	<del>1.000</del>	<del>10</del>	<del>22</del>	<del>1- -1</del>	
<del>.984</del>	<del>.900</del>	<del>9</del>	<del>20</del>	<del>1- -0</del>	
<del>.884</del>	<del>.800</del>	<del>8</del>	<del>18</del>	<del>-9</del>	
<del>.784</del>	<del>.700</del>	<del>7</del>	<del>16</del>	<del>-8</del>	
<del>.684</del>	<del>.600</del>	<del>6</del>	<del>14</del>	<del>-7</del>	
<del>.584</del>	<del>.500</del>	<del>5</del>	<del>12</del>	<del>-6</del>	
<del>.484</del>	<del>.400</del>	<del>4</del>	<del>10</del>	<del>-5</del>	
<del>.384</del>	<del>.300</del>	<del>3</del>	<del>8</del>	<del>-4</del>	
<del>.284</del>	<del>.200</del>	<del>2</del>	<del>6</del>	<del>-3</del>	
<del>.184</del>	<del>.100</del>	<del>1</del>	<del>4</del>	<del>-2</del>	
<del>.084</del>	-	-	<del>2</del>	<del>103777-1</del>	
C	B	A	NO OF POS	ASSEMBLY PART NUMBER	

THIS DRAWING IS A CONTROLLED DOCUMENT.		DWN	L. RINGLEY	7-25-85		TE Connectivity						
DIMENSIONS: INCHES		CHK	R. ELICKER	7-25-85		ASSEMBLY, MOD II, HEADER, BREAKAWAY, DOUBLE ROW, .100X .100 C/L, WITH .025 SQUARE POSTS						
TOLERANCES UNLESS OTHERWISE SPECIFIED:		APVD	R. ELICKER	7-25-85								
0 PLC ± - 1 PLC ± - 2 PLC ± - 3 PLC ± .005 4 PLC ± - ANGLES ± - FINISH		PRODUCT SPEC	-			SIZE	A2	CAGE CODE	00779	DRAWING NO	C=103777	RESTRICTED TO
MATERIAL: HOUSING, FLAME RETARDANT THERMOPLASTIC; COLOR-BLACK; POST: PHOSPHOR BRONZE		WEIGHT	-		SCALE	4:1	SHEET	1 of 1	REV	F2	CUSTOMER DRAWING	

# Mouser Electronics

Authorized Distributor

Click to View Pricing, Inventory, Delivery & Lifecycle Information:

[TE Connectivity:](#)

[103777-5](#)