

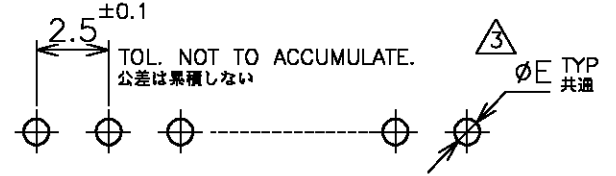
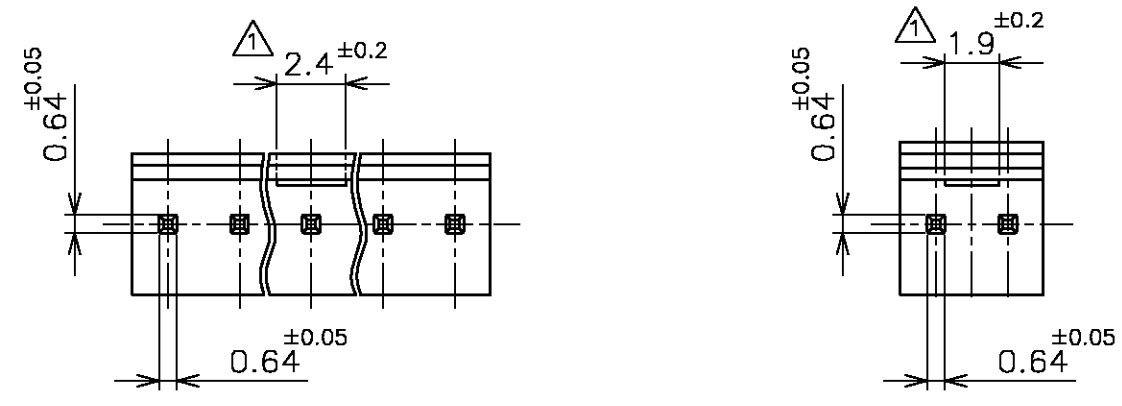
LOC		DIST		REVISIONS				
J	-	P	LTR	DESCRIPTION		DATE	DWN	APVD
			E	REVISED FJB0-0393-03		07MAY03	H.T	I.E

△ ロッキング凹部位置は長手方向の中央。
 ② 塩ビケース詰製品(自動機対応)は図番172800参照のこと。
 △ プリント基板穴径は下記参照してください。

△ LOCKING HOLE IS PLACED ON THE CENTER OF POST HEADER.
 REFERENCE TO P/N 172800 ABOUT TUBE PACKING ITEM FOR AUTO MOUNTING MACHINE.
 △ RECOMMENDED HOLE DIA DIMENSION ON PWB

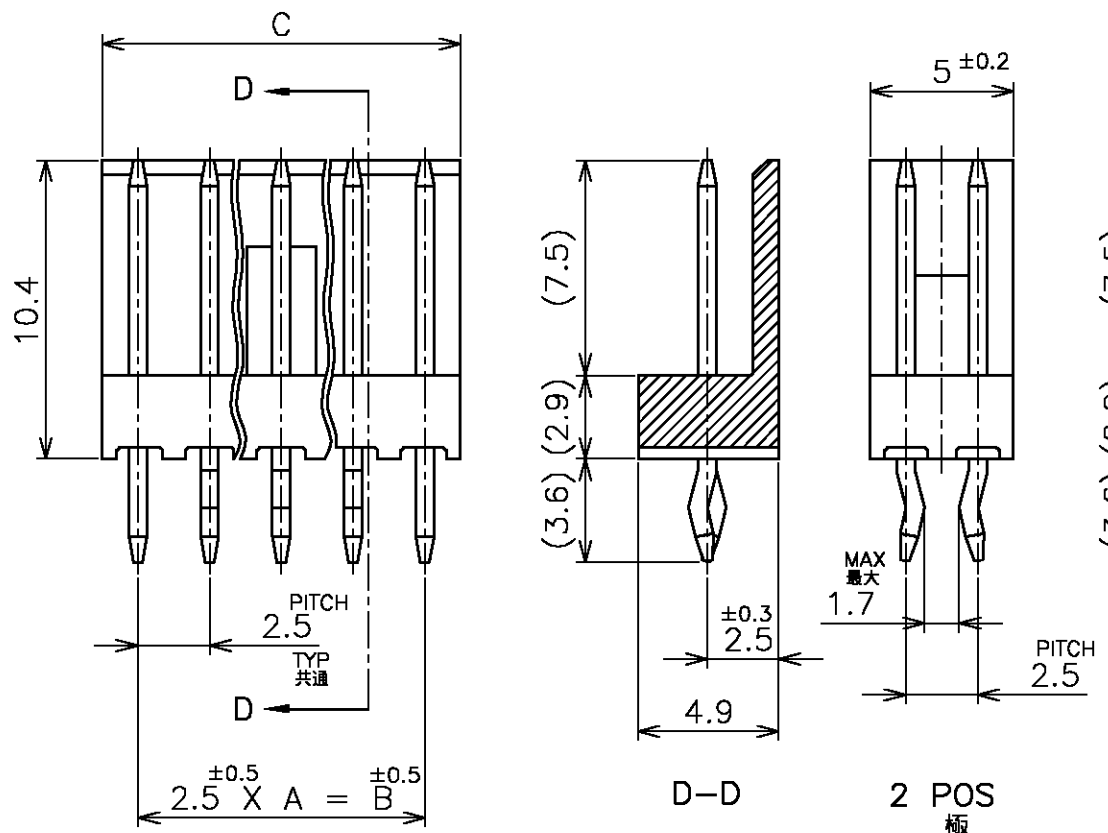
加工	パンチ加工穴	ドリル加工穴
穴径	0.9 ±0.1	1.1 ±0.05

HOLE DIA	POUNCED HOLE	DRILL HOLE
φE	0.9 ±0.1	1.1 ±0.05



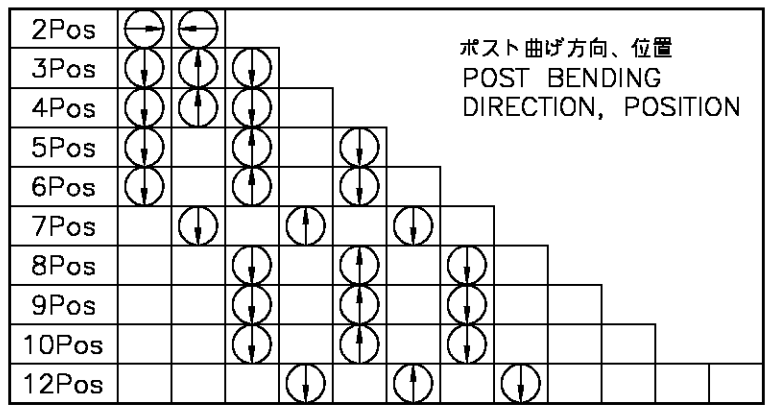
RECOMMENDED BOARD LAYOUT (1.6 THK)
 取付基板穴寸法(基板厚1.6t)

COLOR	BULE 青色		BLACK 黒色		NATURAL 自然色			
	NO OF POS 極数	TUBE PACKING P/N 塩ビケース詰 型番	NO OF POS 極数	TUBE PACKING P/N 塩ビケース詰 型番	NO OF POS 極数	TUBE PACKING P/N 塩ビケース詰 型番		
±0.2 C	±0.5 B	A	NO OF POS 極数	TUBE PACKING P/N 塩ビケース詰 型番	NO OF POS 極数	TUBE PACKING P/N 塩ビケース詰 型番		
			30.0	27.5	11	12	5-172800-2	5-172732-2
			25.0	22.5	9	10	5- ↑ -0	5- ↑ -0
			22.5	20.0	8	9	4- -9	4- -9
			20.0	17.5	7	8	4- -8	4- -8
			17.5	15.0	6	7	4- -7	4- -7
			15.0	12.5	5	6	4- -6	4- -6
			12.5	10.0	4	5	4- -5	4- -5
			10.0	7.5	3	4	4- -4	4- -4
			7.5	5.0	2	3	4- -3	4- -3
			5.0	2.5	---	2	4-172800-2	4-172732-2
			30.0	27.5	11	12	3-172800-2	3-172732-2
			25.0	22.5	9	10	3- ↑ -0	3- ↑ -0
			22.5	20.0	8	9	2- -9	2- -9
			20.0	17.5	7	8	2- -8	2- -8
			17.5	15.0	6	7	2- -7	2- -7
			15.0	12.5	5	6	2- -6	2- -6
			12.5	10.0	4	5	2- -5	2- -5
			10.0	7.5	3	4	2- -4	2- -4
			7.5	5.0	2	3	2- -3	2- -3
			5.0	2.5	---	2	2-172800-2	2-172732-2
			30.0	27.5	11	12	1-172800-2	1-172732-2
			25.0	22.5	9	10	1- ↑ -0	1- ↑ -0
			22.5	20.0	8	9	-9	-9
			20.0	17.5	7	8	-8	-8
			17.5	15.0	6	7	-7	-7
			15.0	12.5	5	6	-6	-6
			12.5	10.0	4	5	-5	-5
			10.0	7.5	3	4	-4	-4
			7.5	5.0	2	3	-3	-3
			5.0	2.5	---	2	172800-2	172732-2



3~12 POS 極

ポスト曲げ方向、位置
 POST BENDING
 DIRECTION, POSITION



THIS DRAWING IS A CONTROLLED DOCUMENT.

DIMENSIONS: 単位: 純 MM	TOLERANCES UNLESS OTHERWISE SPECIFIED: 一般公差	DWN 06MAR84 A.IMAI	Tyco Electronics AMP K.K. Kawasaki, Japan	
MATERIAL 材料 HSG: 66NYLON UL94V-0 POST: BRASS	FINISH 仕上 POST: TIN-PLATE	CHK N.ONOUE 06MAR84	tyco Electronics NAME 名称 POST HEADER ASSY (VERTICAL) WITH KINK AMP EI SERIES CONNECTOR SIZE CAGE CODE DRAWING NO 番号 RESTRICTED TO A3 00779 172732 SCALE 4:1 SHEET 1 OF 1 REV E	
		APVD N.ONOUE 06MAR84		
PRODUCT SPEC 製品規格	APPLICATION SPEC 取付適用規格			
WEIGHT	CUSTOMER DRAWING			

Mouser Electronics

Authorized Distributor

Click to View Pricing, Inventory, Delivery & Lifecycle Information:

[TE Connectivity:](#)

[172732-6](#)