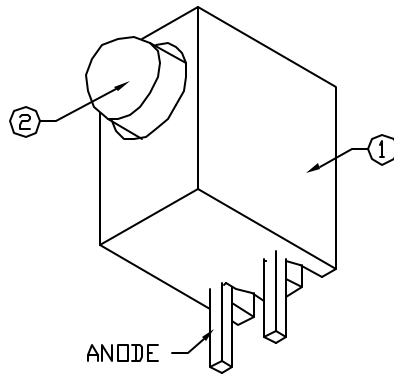
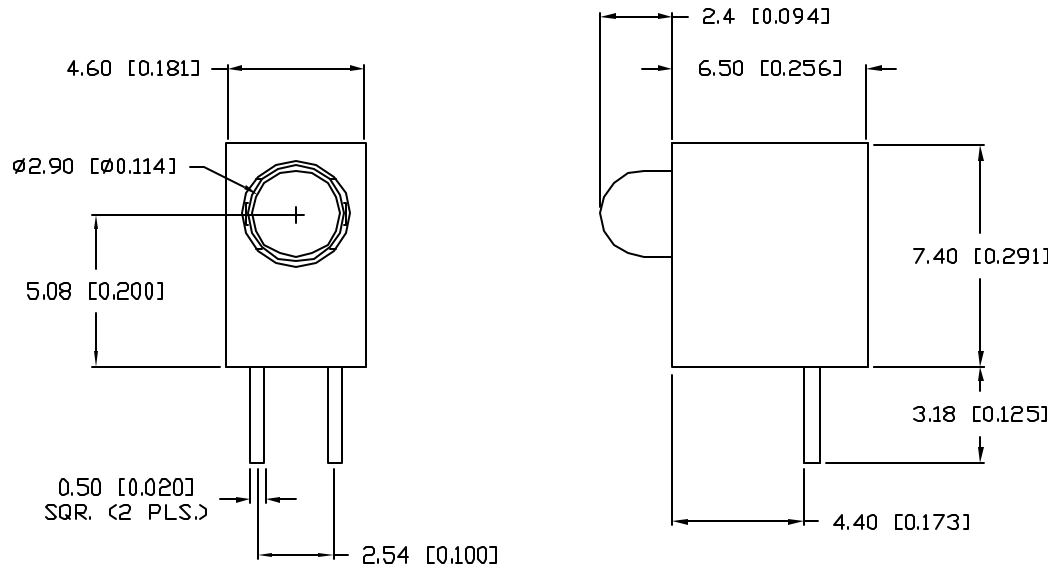


UNCONTROLLED DOCUMENT

PART NUMBER  
SSF-LXH103UWC

REV.  
A

REV.	E.C.N. NUMBER AND REVISION COMMENTS	DATE
A	E.C.N. #11338.	6.22.06



ⓂELECTRO-OPTICAL CHARACTERISTICS TA=25°C

PARAMETER	SYMBOL	MIN	TYP	MAX	UNITS	TEST COND
PEAK WAVELENGTH			550 (WHITE)		nm	
FORWARD VOLTAGE	V <sub>f</sub>		3.3	3.8	V	I <sub>f</sub> =20mA
REVERSE VOLTAGE	V <sub>r</sub>	5			V	I <sub>r</sub> =10µA
AXIAL INTENSITY(*1)	I <sub>v</sub>		1200		mcd	I <sub>f</sub> =20mA
CHROMATICITY	X		0.33			I <sub>f</sub> =10mA
COORDINATES(*2)	Y		0.34			I <sub>f</sub> =10mA
VIEWING ANGLE			34		2x theta	
EMITTED COLOR:	WHITE					
EPOXY LENS FINISH:	WATER CLEAR					

\*1. AXIAL INTENSITY TESTING CONDITION: 550nm WAVELENGTH.  
 \*2. THE ICI STANDARD COLORIMETRIC SYSTEM.

LIMITS OF SAFE OPERATION AT 25°C

PARAMETER	SYMBOL	MAX	UNITS
PULSE FORWARD CURRENT	I <sub>p</sub>	100*	mA
STEADY CURRENT	I <sub>F</sub>	30	mA
POWER DISSIPATION	P <sub>D</sub>	114	mW
OPERATING TEMP.	T <sub>OPR</sub>	-30 TO +80	°C
STORAGE TEMP.	T <sub>STG</sub>	-40 TO +100	°C
SOLDERING TEMP.		+260	°C
2.0mm FROM BODY			3 SEC. MAX

\*DUTY 1/10 PULSE WIDTH 10ms

NOTES:

- SSH-LXH103 HOLDER.
- SSL-LX3044UWC LED.

CAUTION: STATIC SENSITIVE DEVICE  
 FOLLOW PROPER E.S.D. HANDLING PROCEDURES  
 WHEN WORKING WITH THIS PART.

UNCONTROLLED DOCUMENT

\*UNLESS OTHERWISE SPECIFIED TOLERANCES PER DECIMAL PRECISION ARE: X=±1 (±0.039), XX=±0.5 (±0.020), XXX=±0.25 (±0.010), XXXX=±0.127 (±0.005), LEAD SIZE=±0.05 (±0.002), LEAD LENGTH=±0.75 (±0.030), MIN.= +DECIMAL PRECISION -0.00, MAX.= +0.00 -DECIMAL PRECISION

REV. A	PART NUMBER SSF-LXH103UWC
T-3mm SINGLE LEVEL, FAULT INDICATOR, ULTRA WHITE LED, WATER CLEAR LENS.	

**CONFIDENTIAL INFORMATION**  
 THE INFORMATION CONTAINED IN THIS DOCUMENT IS THE PROPERTY OF LUMEX INC. EXCEPT AS SPECIFICALLY AUTHORIZED IN WRITING BY LUMEX INC., THE HOLDER OF THIS DOCUMENT SHALL KEEP ALL INFORMATION CONTAINED HEREIN CONFIDENTIAL AND SHALL PROTECT SAME IN WHOLE OR IN PART FROM DISCLOSURE AND DISSEMINATION TO ALL THIRD PARTIES.

**RELIABILITY NOTE**  
 OUR MANY YEARS OF EXPERIENCE DATA ACCUMULATION INDICATE THAT SOLDER HEAT IS A MAJOR CAUSE OF EARLY AND FUTURE FAILURE. PLEASE PAY ATTENTION TO YOUR SOLDERING PROCESS.

290 E. HELEN ROAD  
 PALATINE, IL 60067-6976  
 PHONE: +1.847.359.2790  
 US WEB: www.lumex.com  
 TW WEB: www.lumex.com.tw

DRAWN BY: CT	CHECKED BY:	APPROVED BY:	DATE: 12.7.01 PAGE: 1 OF 1 SCALE: N/A
-----------------	-------------	--------------	---

# Mouser Electronics

Authorized Distributor

Click to View Pricing, Inventory, Delivery & Lifecycle Information:

Lumex:

[SSF-LXH103UWC](#)