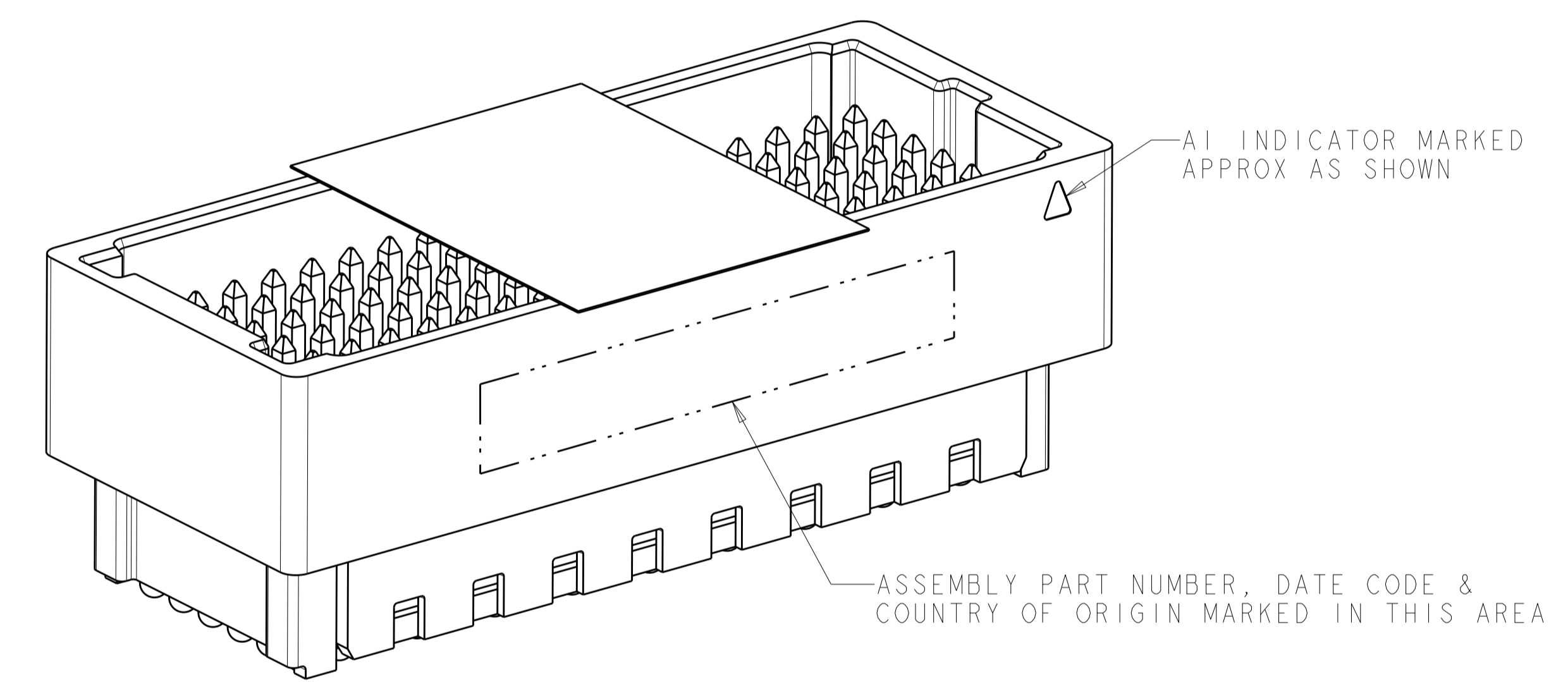
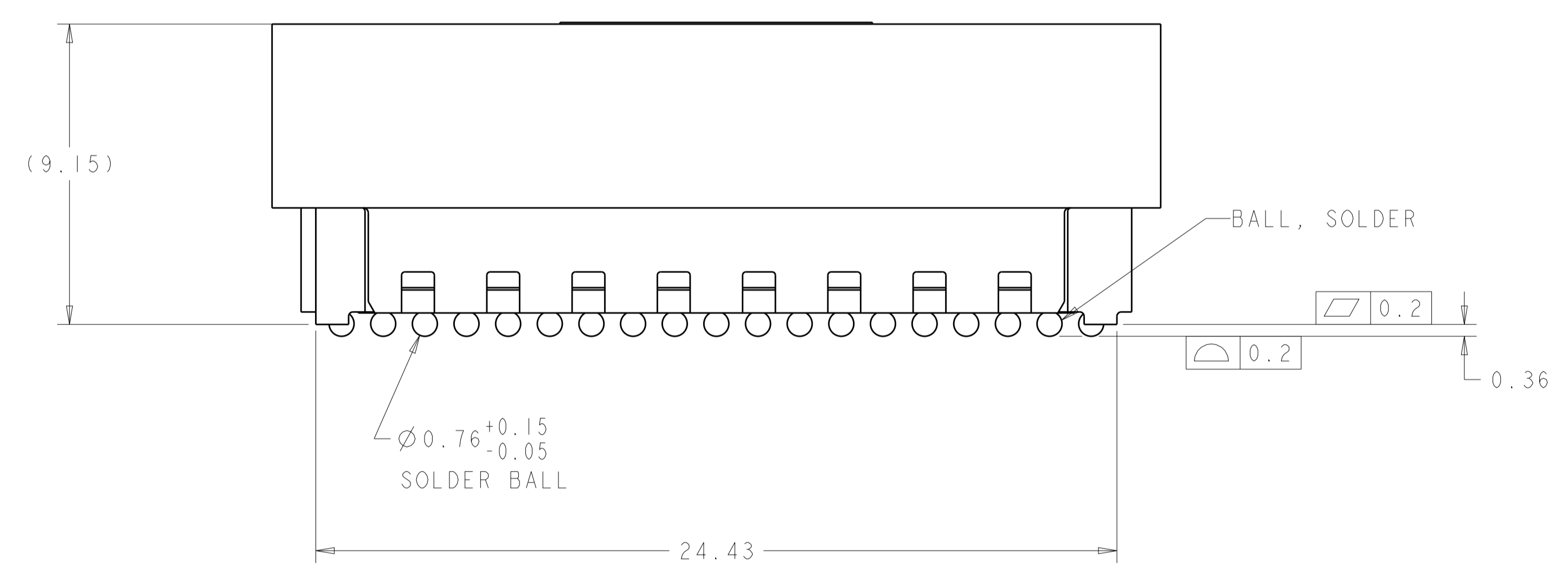
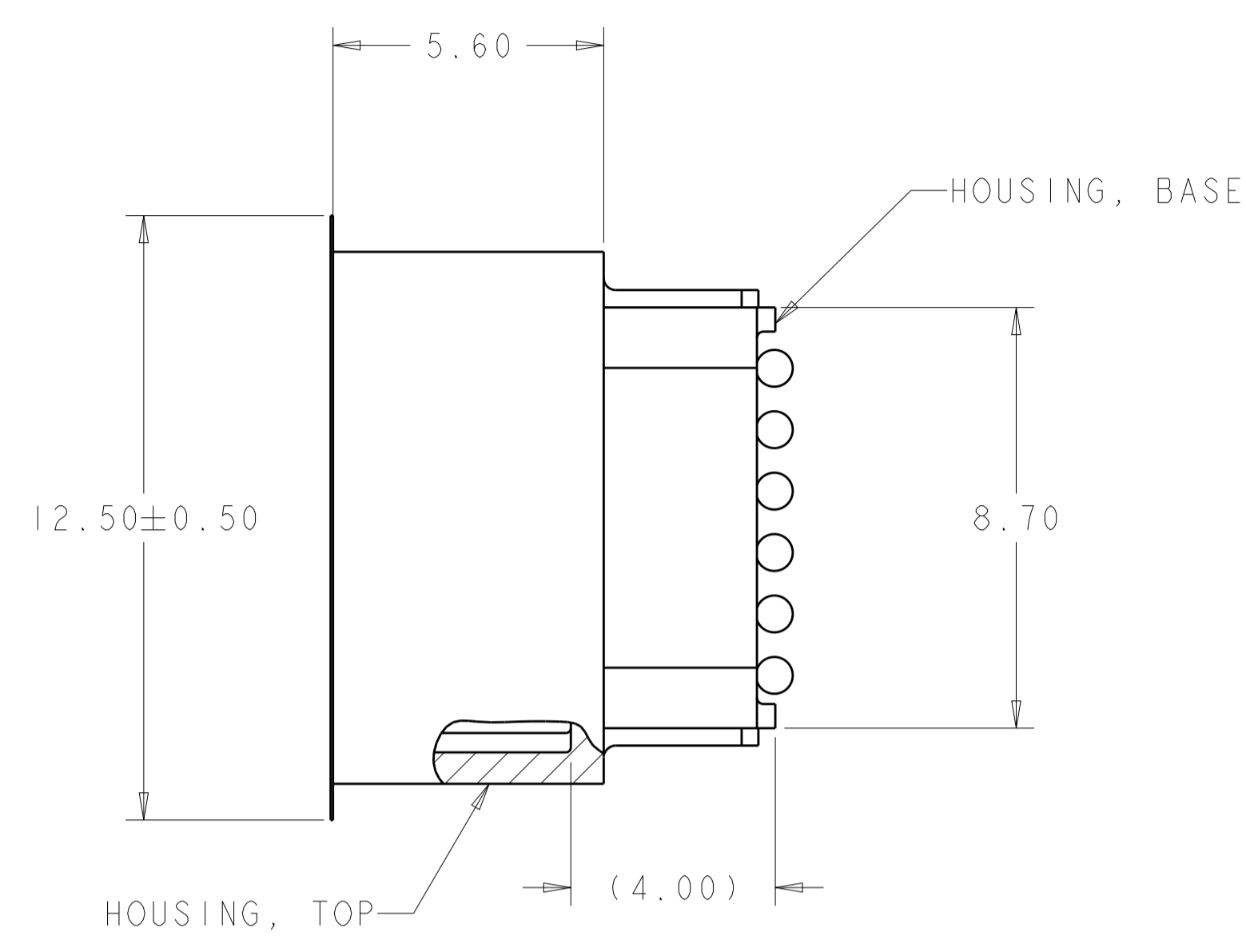
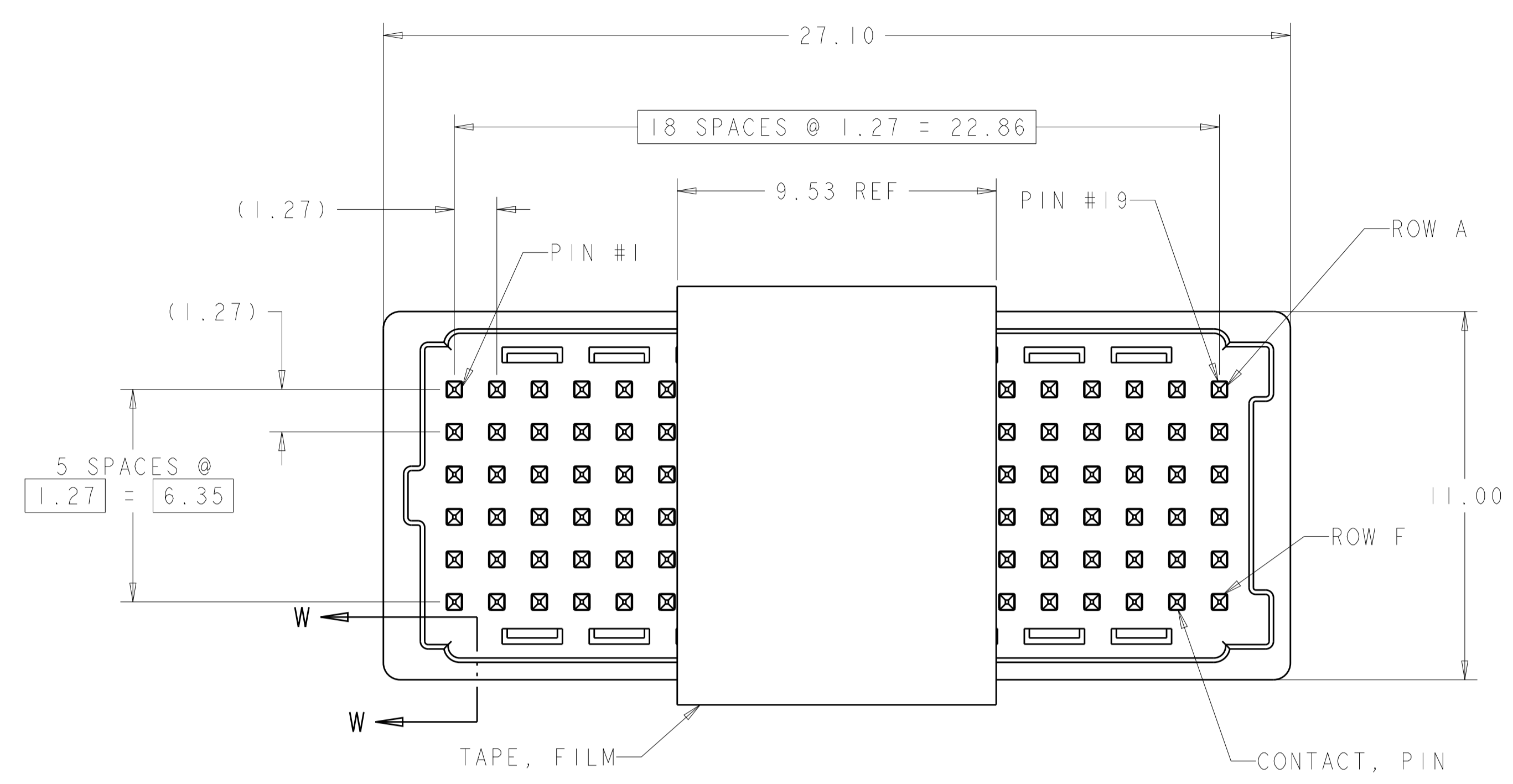
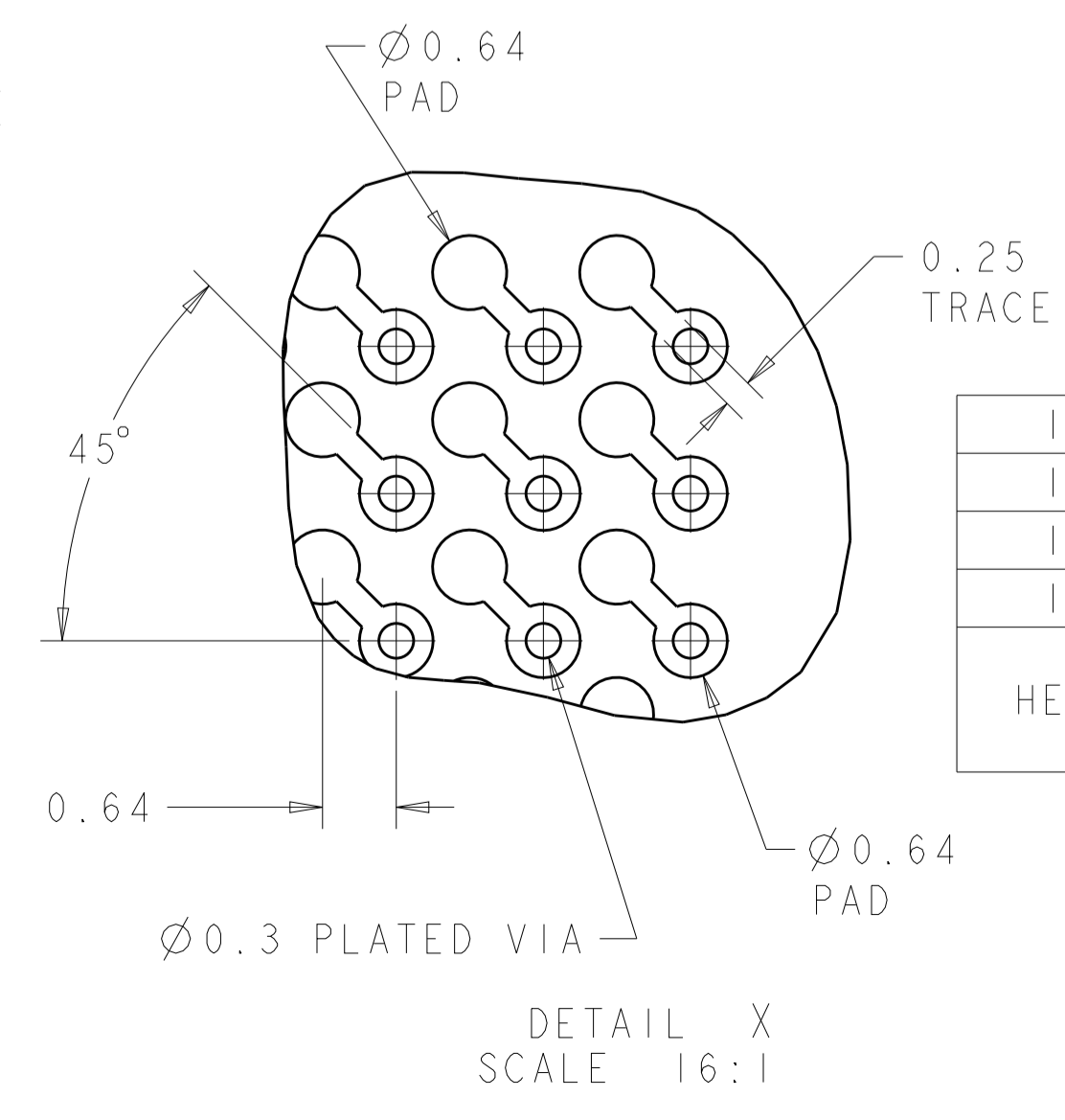
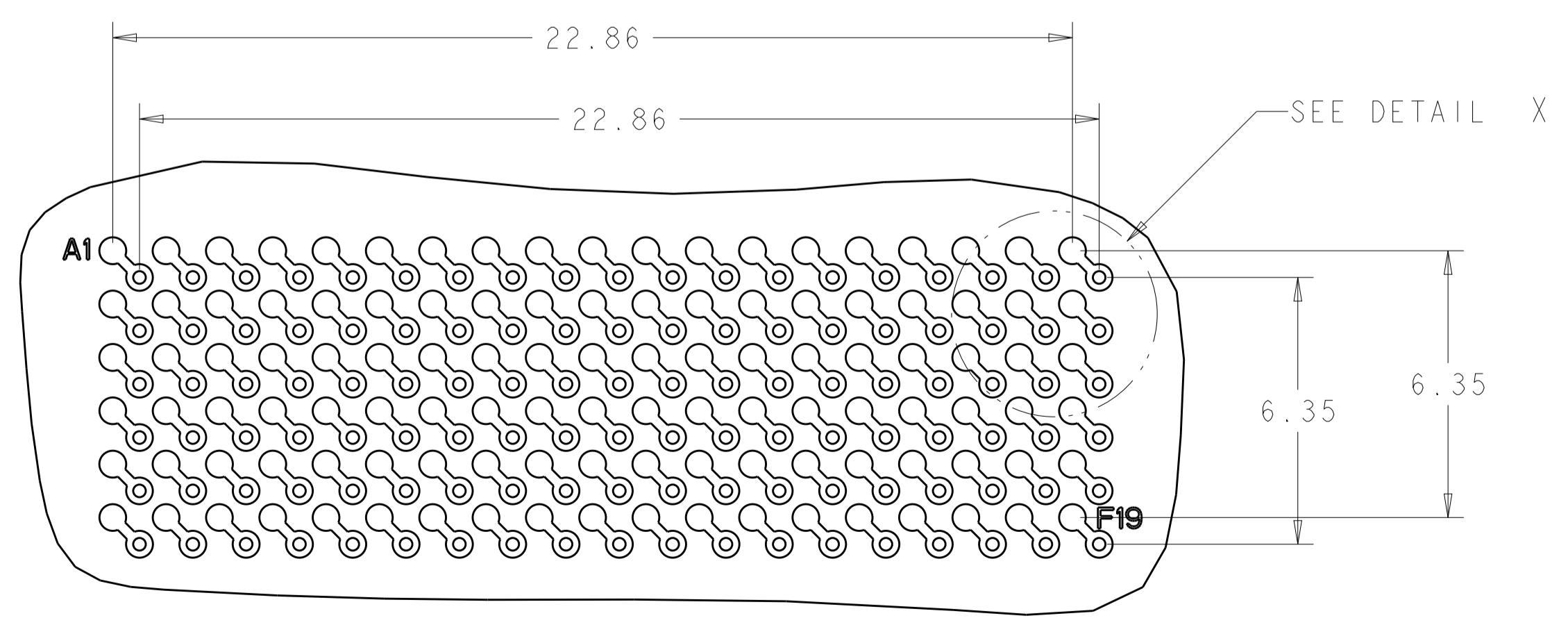


LOC		DIST		REVISIONS			
P	LTH	DESCRIPTION	DATE	DWN	APVD		
J		REV PER ECO 13-005041	2-27-14	CT	DH		



- ⚠ MATERIAL: HOUSINGS; LCP, COLOR-NATURAL CONTACT; PHOSPHOR BRONZE SOLDER BALL; SEE TABLE TAPE, FILM; KAPTON WITH SILICON ADHESIVE
- ⚠ FINISH: CONTACT; GOLD (SEE TABLE) ON MATING AREA OVER NICKEL ON ENTIRE CONTACT.
- 3. PRODUCT IS PACKAGED ON TAPE AND REELED.



1-2102061-6	1-2102061-2	2102061-8	2102061-6	0.76 $\mu$ m	LEAD FREE PER SAC405	2102060-4
1-2102061-5	1-2102061-1	2102061-7	2102061-5	0.76 $\mu$ m	TIN LEAD	2102060-3
1-2102061-4	1-2102061-0	2102061-4	2102061-2	1.27 $\mu$ m	LEAD FREE PER SAC405	2102060-2
1-2102061-3	2102061-9	2102061-3	2102061-1	1.27 $\mu$ m	TIN LEAD	2102060-1
15mm STACK HEIGHT MATING CONNECTOR	18mm STACK HEIGHT MATING CONNECTOR	12mm STACK HEIGHT MATING CONNECTOR	10mm STACK HEIGHT MATING CONNECTOR	GOLD PLATING THICKNESS	SOLDER BALL MATERIAL	PART NUMBER

THIS DRAWING IS A CONTROLLED DOCUMENT.

DIMENSIONS: mm

TOLERANCES UNLESS OTHERWISE SPECIFIED:

0 PLC	±
1 PLC	±0.13
2 PLC	±
3 PLC	±
4 PLC	±
ANGLES	±

MATERIAL: FINISH:

Customer Drawing

DWN: G. DOWNEY 21JUL2009  
CHK: K. DOWHOWER 21JUL2009  
APVD: K. DOWHOWER 21JUL2009

NAME: ASSEMBLY, PIN, 114 POSITION, MEZALOK STACKING CONNECTOR

PRODUCT SPEC: 108-2411  
APPLICATION SPEC: 114-13279

SIZE: A1  
CAGE CODE: 100779  
DRAWING NO: 2102060

RESTRICTED TO: J

SCALE: 8:1 SHEET 1 OF 1 REV J

# Mouser Electronics

Authorized Distributor

Click to View Pricing, Inventory, Delivery & Lifecycle Information:

[TE Connectivity:](#)

[2102060-1](#) [2102060-4](#) [2102060-2](#)