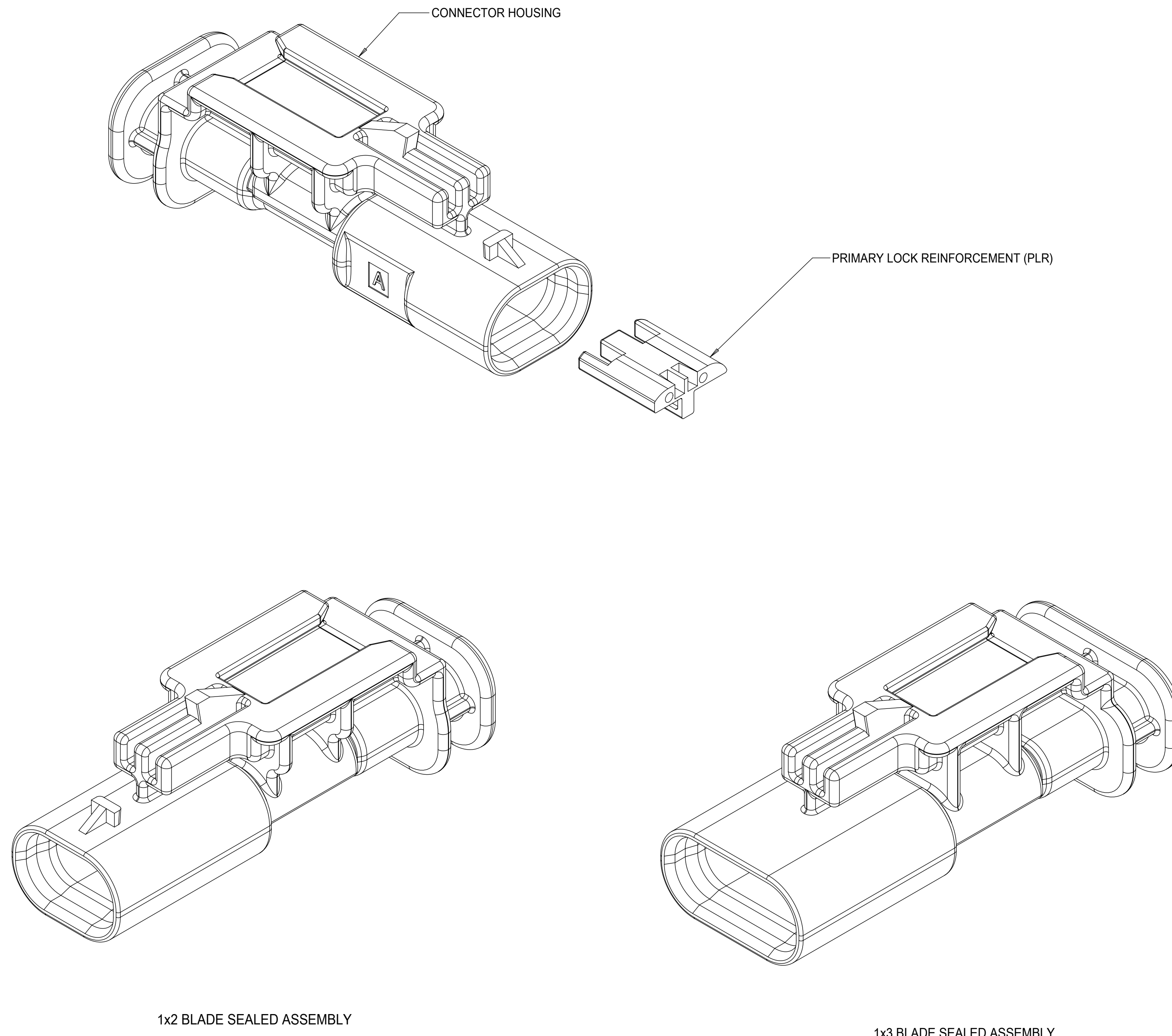


TABLE OF CONTENTS

SHEET NO.	SHEET DESCRIPTION
1	NOTES
2	1x2 BLADE SEALED ASSEMBLY KEYING CONFIGURATIONS
3	1x3 BLADE SEALED ASSEMBLY KEYING CONFIGURATIONS
4	CLIP-SLOT CONFIGURATIONS
5	BLADE SEALED ASSEMBLY
6	CONNECTION SYSTEM PACKAGING
7	WIRE DRESS COVER INTERFACE OPTIONS
8	1x2 BLADE SEALED ASSEMBLY BOM INTERFACE OPTION 1
9	1x2 BLADE SEALED ASSEMBLY BOM INTERFACE OPTION 2
10	1x3 BLADE SEALED ASSEMBLY BOM INTERFACE OPTION 1
11	1x3 BLADE SEALED ASSEMBLY BOM INTERFACE OPTION 2



NOTES: VALID UNLESS OTHERWISE SPECIFIED

1. GENERAL:

- a. APPLICATION SPECIFICATION SEE: AS-34900-0001
CONTAINS: PRODUCT INTRODUCTION, PRODUCT SUMMARY, CONNECTOR ASSEMBLY, PACKAGING INFORMATION, CONNECTOR MATING, SERVICE INSTRUCTIONS, ELECTRICAL CONTINUITY CHECKING, CRIMPING, AND TROUBLESHOOTING.
- b. PRODUCT SPECIFICATION SEE: PS-34900-0001
CONTAINS: PRODUCT INTRODUCTION, PRODUCT SUMMARY, RATINGS (CURRENT, TEMPERATURE, SEALING, AND FLAMMABILITY), AND PRODUCT VALIDATION.
- c. PACKAGING SPECIFICATION PER MOLEX DRAWING: PK-31301-898
- d. PARTS MUST BE IN COMPLIANCE TO MOLEX CHEMICAL SUBSTANCES FOR PRODUCTS AND PACKAGING SPECIFICATION: ES-40000-5016
- e. DATA MUST BE SUBMITTED UNDER THE MOLEX PART NUMBER TO IMDS (COMPANY ID#13255)

2. DESIGN - MATERIALS:

- a. SEE BOM TABLE

3. DESIGN - GEOMETRY:

- a. THIS IS A 100% CAD GENERATED PART. THE CAD MATHEMATICAL DATA IS THE MASTER FOR THIS PART. FOR DIMENSIONAL OR ANY INFORMATION NOT SHOWN ON THIS DRAWING, ANALYZE THE CAD MODEL.
- b. GEOMETRIC DIMENSIONS AND TOLERANCES PER ASME Y14.5M - 1994
- c. EDGES AND UNDIMENSIONED DETAILS PER ISO13715
- d. CORNERS SHOWN AS SHARP TO BE R 0.2 MAX.
- e. LETTERING SHALL BE 0.15 MAX RAISED IN 0.25 MAX RECESS PAD. THIS INCLUDES RECYCLING CODE, CAVITY ID, VENDOR IDENTIFICATION,
- f. VISUAL DEFECTS SHALL MEET COSMETIC STANDARD PS-45499-002 (Class B)
- g. LASER MARKING:
 - 1. PART NUMBER
 - 2. DAY OF THE YEAR
 - 3. SHIFT
 - 4. YEAR

A17	NOTE ADDED ON PRESENCE OF SHARKFINS
A16	CHANGED PNs TO OBSOLETE STATUS
A15	- NX-REMASTERING FROM MODEL MANAGER - 1x2 KEY C MOVED TO SALEABLE - 1X3 WDC INTERFACE 2 PART NUMBERS UPDATED TO MATCH E-DRAWING
A14	CORRECTED CHARTED DIMENSION 3 FOR 1X3 11MM CLIPSLOT
A13	1x3 KEY A&B SALEABLE (NON 40G)
A12	1X2 KEYS A&B W/ WDC SALEABLE
A11	CORRECTED REVISION LOG
A10	1X2,1X3 WIRE DRESS FEATURES OK TO TOOL
A9	1X2,1X3 PART # STATUS UPDATED
A8	1X2 40G CLIP-SLOT OK TO TOOL
A7	1X2,1X3 PART # UPDATED TO "TOOLED BUT NOT VALIDATED"
A6	ADDED 40G CLIP-SLOT PART NUMBERS
A5	BOM CORRECTIONS AND UPDATES
A4	BOM CORRECTIONS AND UPDATES
A3	1x2, 1x3 NON-SIR PART# OK TO TOOL
A2	ADDED 1x3 11mm CLIP-SLOT PART #
A	ADDED BLACK PART# AND MINOR BOM UPDATES
6	ADDED CLIP SLOT CONFIGURATIONS
5	1X3 BOM UPDATED
4	1X3 INLINE ASSY VIEWS ADDED
3	MINOR BOM CORRECTIONS
2	UPDATED PACKAGING DIMENSIONS
1	INITIAL RELEASE
REV	DESCRIPTION

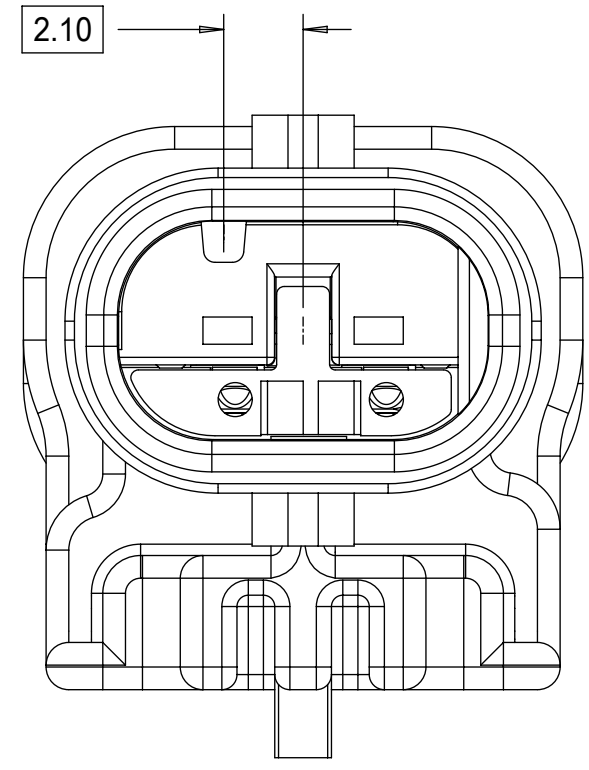
INSPECTION NUMBER LOG
LAST NUMBER USED:
ADDED:
REMOVED:

QUALITY SYMBOLS	THIS DRAWING CONTAINS INFORMATION THAT IS PROPRIETARY TO MOLEX ELECTRONIC TECHNOLOGIES, LLC AND SHOULD NOT BE USED WITHOUT WRITTEN PERMISSION		DIMENSION UNITS		SCALE			
▽ = 0	EC NO: 645203 DRWN: GELIOTT01 CHKD: MVANSLAMBROU REV APPR: MVANSLAMBROU 2020/09/15 2020/09/15 2020/09/15	GENERAL TOLERANCES (UNLESS SPECIFIED) ANGULAR TOL ± 3.0 °	mm	4:1				
▽ = 0			4 PLACES ±	DRWN BY		DATE		
▽ = 0			3 PLACES ±	SKRAJENDRANA		2013/11/06		
▽ = 0			2 PLACES ± 0.1	CHKD BY		DATE		
▽ = 0	1 PLACE ± 0.2	1 PLACE ± 0.2	APPR BY	DATE	1.2MM 1X2, 1X3 BLADE SEALED ASSEMBLY CABLE SEAL 639764 - REMOVED CPA3 AND REPLACED WITH CPA2 AGAIN 64			
▽ = 0	0 PLACES ± 0.5	0 PLACES ± 0.5	DRAFT WHERE APPLICABLE MUST REMAIN WITHIN DIMENSIONS					
▽ = 0	DRAFT WHERE APPLICABLE MUST REMAIN WITHIN DIMENSIONS		DRAWING SIZE	THIRD ANGLE PROJECTION				
▽ = 0	DRAFT WHERE APPLICABLE MUST REMAIN WITHIN DIMENSIONS		D					
RELEASE STATUS		P1	RELEASE DATE	2020/09/15	14:05:05	PRODUCT CUSTOMER DRAWING SERIES: 34899 MATERIAL NUMBER: SEE BOM CUSTOMER: GENERAL MARKET		
A17		DOCUMENT NUMBER		SD-34899-2001	DOC TYPE	PSD	DOC PART SHEET NUMBER	001 1 OF 11

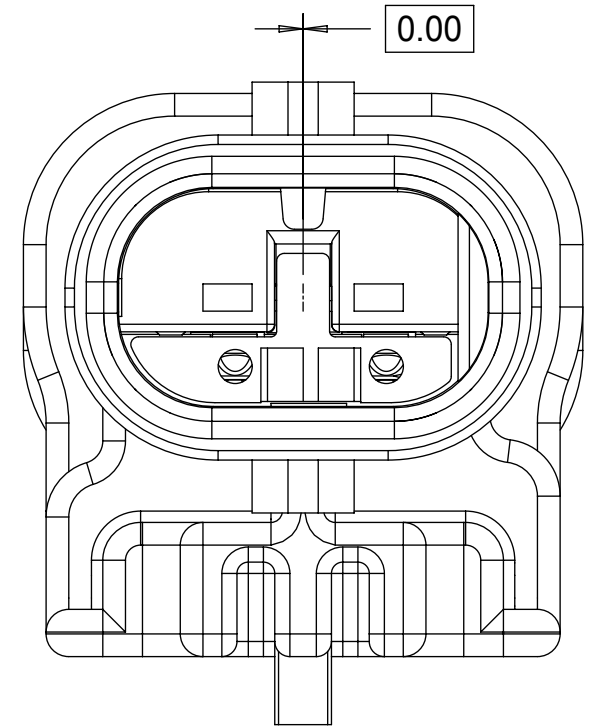
1x2 BLADE SEALED ASSEMBLY

1x3 BLADE SEALED ASSEMBLY

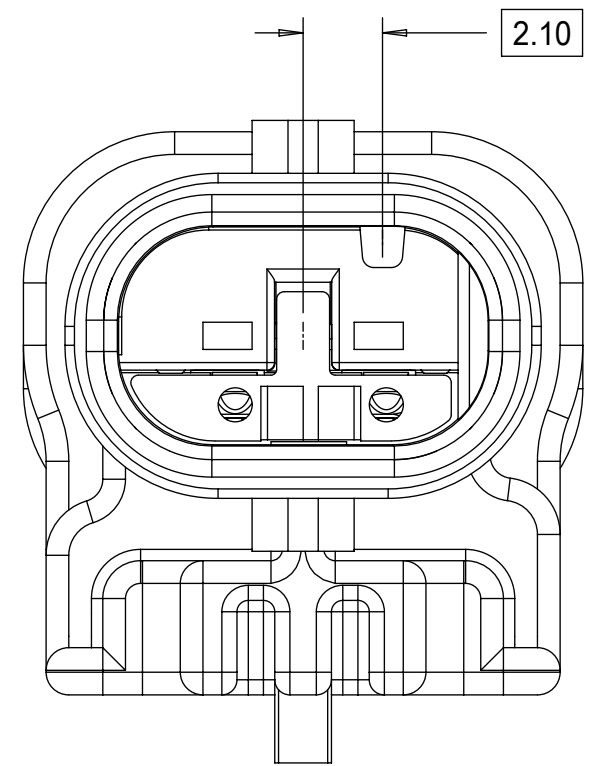
1x2 BLADE SEALED ASSEMBLY KEYING CONFIGURATIONS. FOR PART NUMBERS REFER TO BOM SHEET.



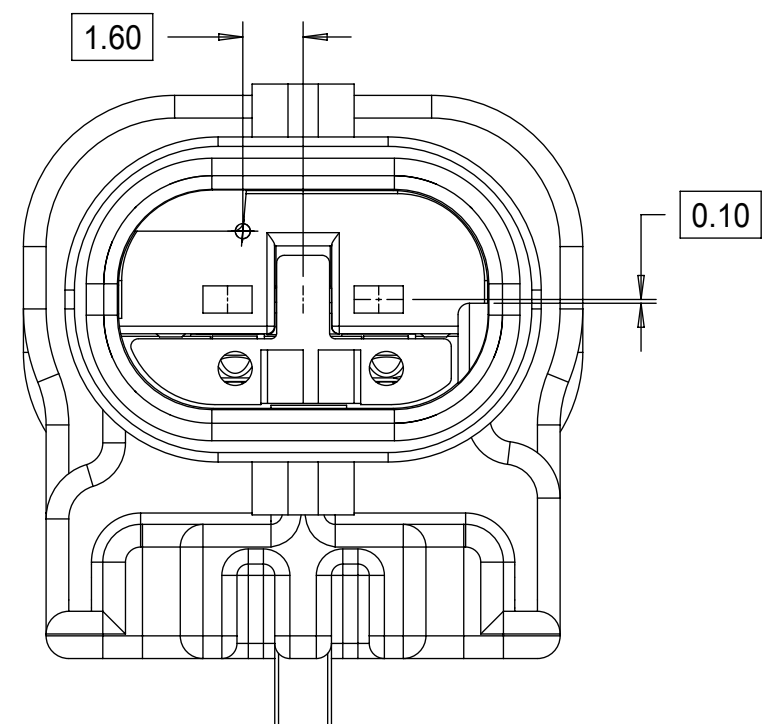
KEYING OPTION A



KEYING OPTION B



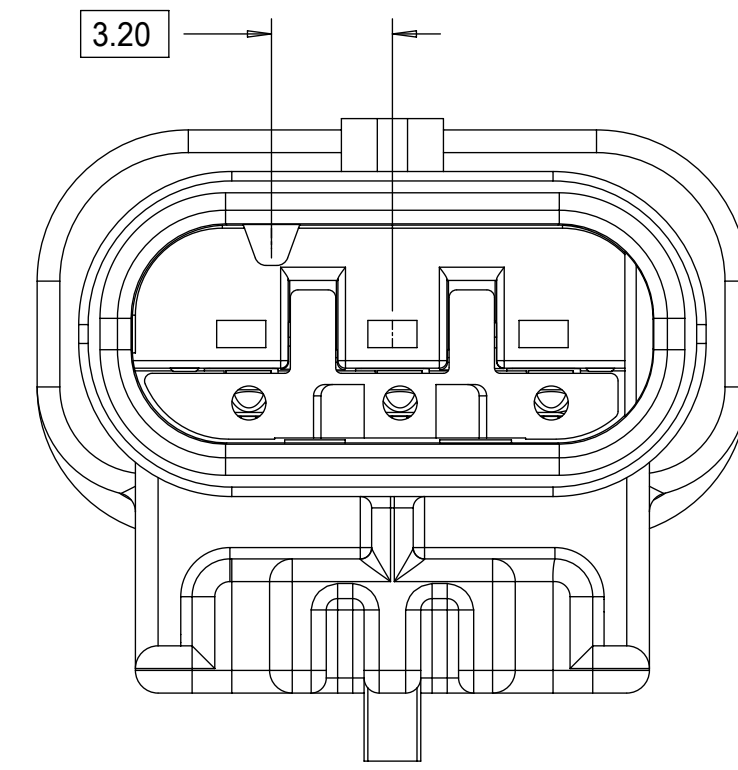
KEYING OPTION C



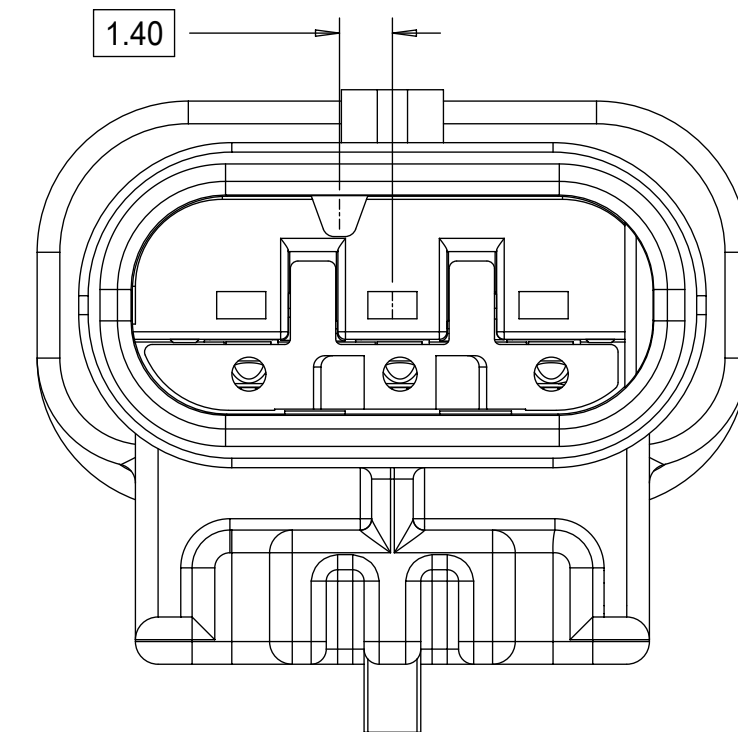
KEYING OPTION E

QUALITY SYMBOLS 	THIS DRAWING CONTAINS INFORMATION THAT IS PROPRIETARY TO MOLEX ELECTRONIC TECHNOLOGIES, LLC AND SHOULD NOT BE USED WITHOUT WRITTEN PERMISSION										
	2020/09/11	GENERAL TOLERANCES (UNLESS SPECIFIED)			DIMENSION UNITS	SCALE					
	2020/09/15	ANGULAR TOL ± 3.0 °			mm	5:1					
	2020/09/15	4 PLACES ±			DRWN BY	DATE	1.2MM 1X2, 1X3 BLADE SEALED ASSEMBLY CABLE SEAL 639764 - REMOVED CPA3 AND REPLACED WITH CPA2 AGAIN 64				
		3 PLACES ±			SKRAJENDRANA	2013/11/06					
		2 PLACES ± 0.1			CHKD BY	DATE	PRODUCT CUSTOMER DRAWING				
		1 PLACE ± 0.2			APPR BY	DATE					
		0 PLACES ± 0.5			DRAWING SIZE	THIRD ANGLE PROJECTION	SERIES	MATERIAL NUMBER	CUSTOMER		
		DRAFT WHERE APPLICABLE MUST REMAIN WITHIN DIMENSIONS			D		34899	SEE BOM	GENERAL MARKET		
							DOCUMENT NUMBER	DOC TYPE	DOC PART	SHEET NUMBER	
						SD-34899-2001	PSD	001	2 OF 11		

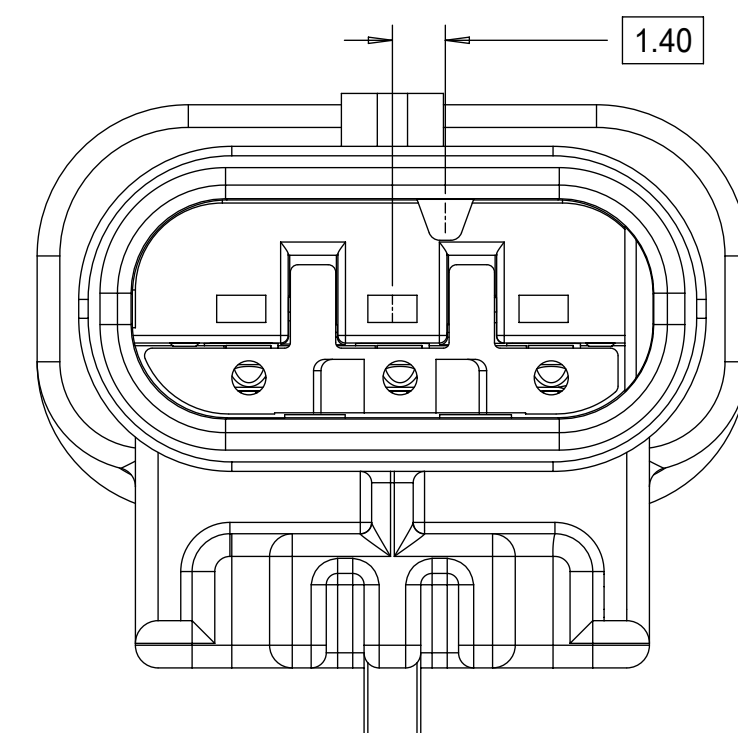
1x3 BLADE SEALED ASSEMBLY KEYING CONFIGURATIONS. FOR PART NUMBERS REFER TO BOM SHEET.



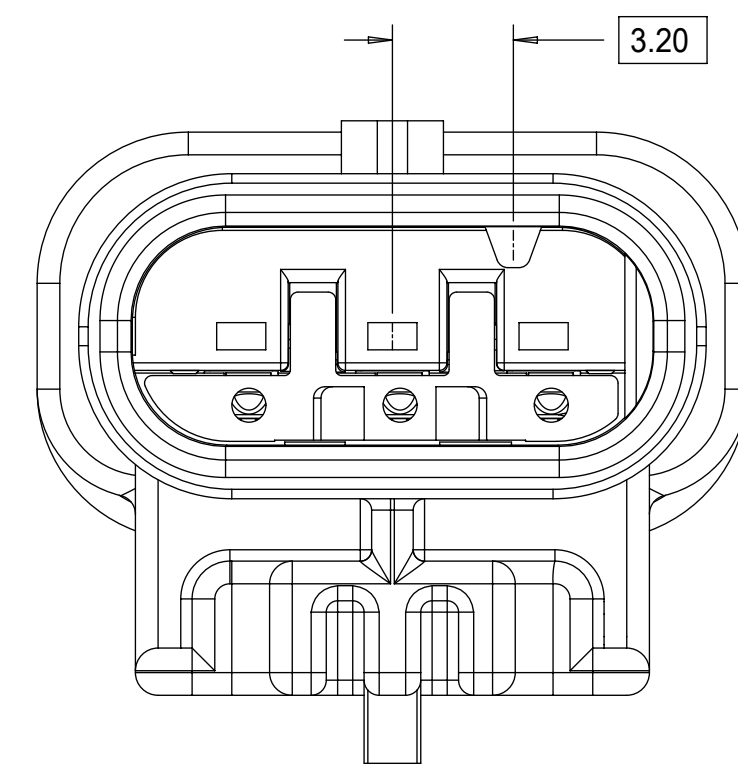
KEYING OPTION A



KEYING OPTION B



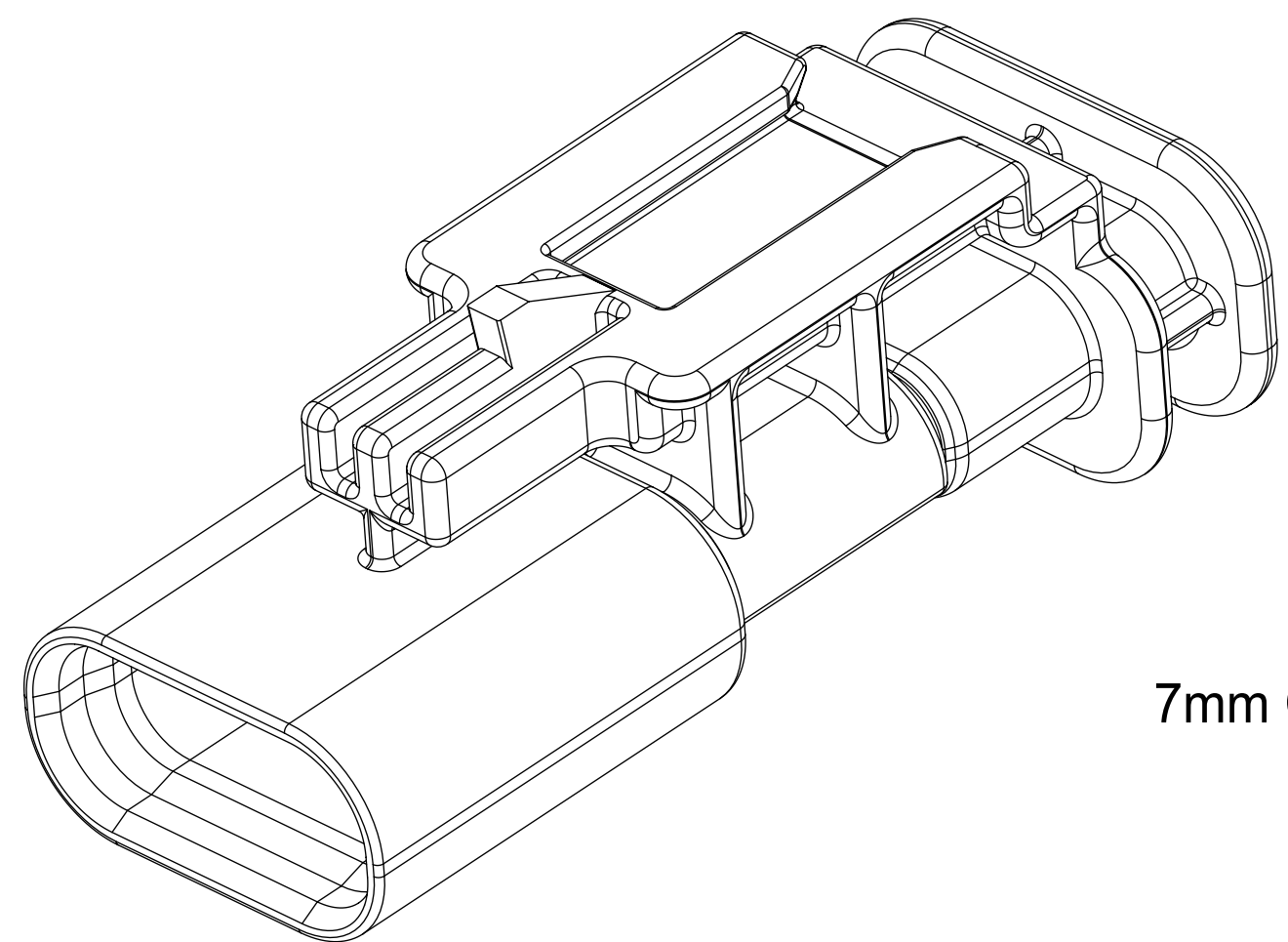
KEYING OPTION C



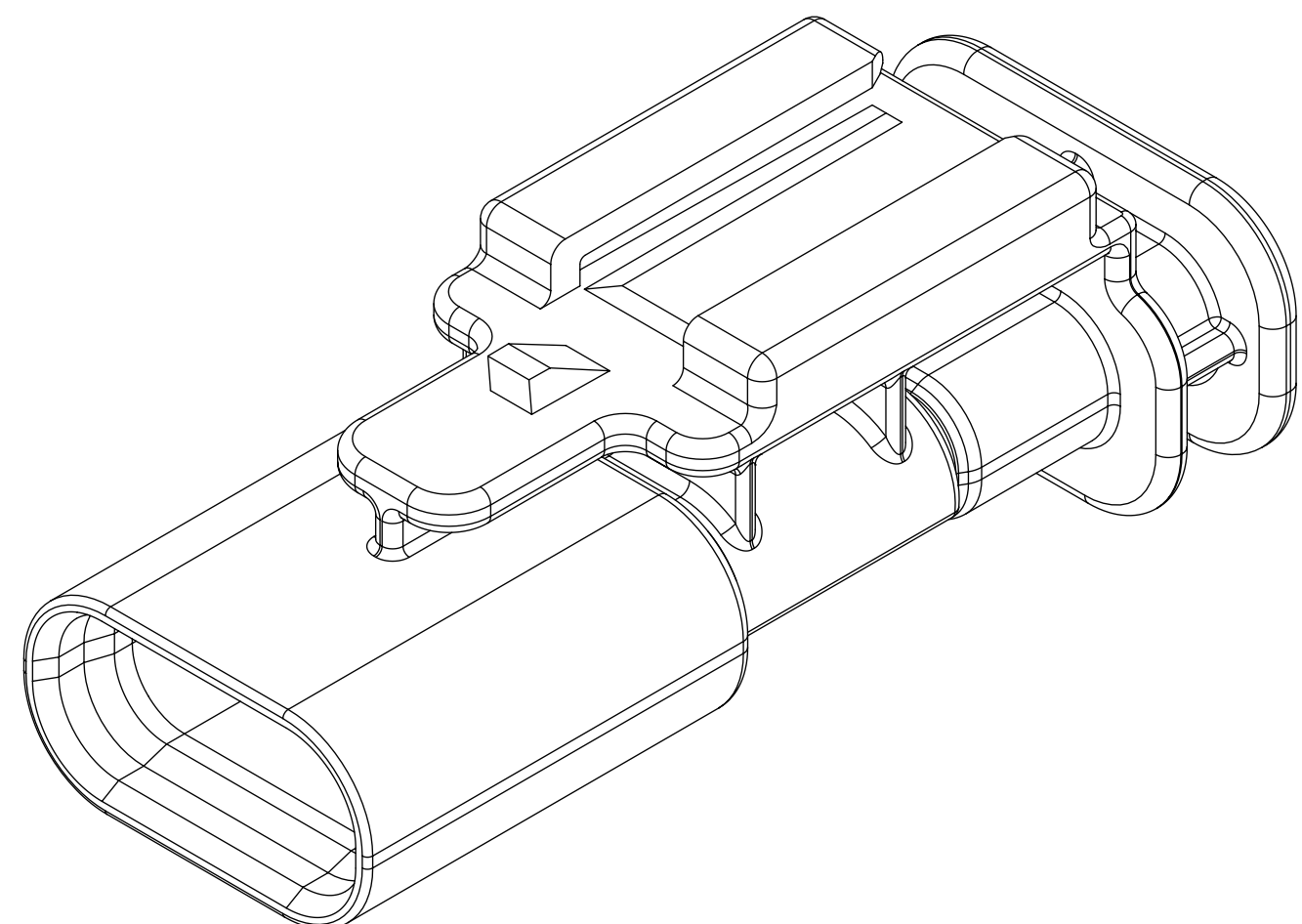
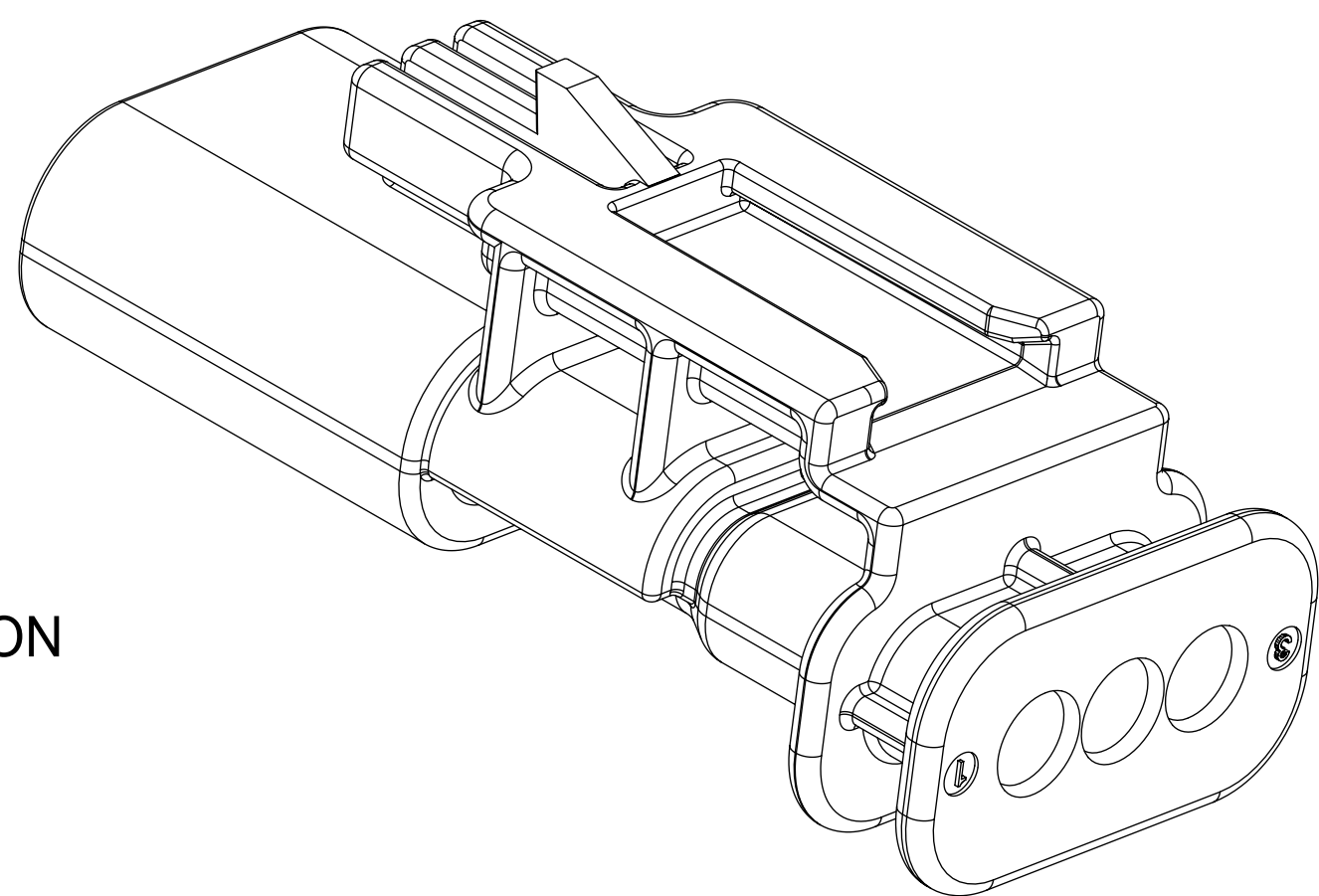
KEYING OPTION D

THIS DRAWING CONTAINS INFORMATION THAT IS PROPRIETARY TO MOLEX ELECTRONIC TECHNOLOGIES, LLC AND SHOULD NOT BE USED WITHOUT WRITTEN PERMISSION										
QUALITY SYMBOLS 	2020/09/11	GENERAL TOLERANCES (UNLESS SPECIFIED)		DIMENSION UNITS	SCALE					
	DRWN: GELLIOTTO1	mm	5:1							
	2020/09/15	ANGULAR TOL ± 3.0 °		DRWN BY	DATE	1.2MM 1X2, 1X3 BLADE SEALED ASSEMBLY CABLE SEAL 639764 - REMOVED CPA3 AND REPLACED WITH CPA2 AGAIN 64				
	CHKD: MVANSLAMBROU	4 PLACES ±	SKRAJENDRANA	2013/11/06						
	2020/09/15	3 PLACES ±	CHKD BY	DATE	PRODUCT CUSTOMER DRAWING					
	REV: APPR: MVANSLAMBROU	2 PLACES ± 0.1	APPR BY	DATE						
	EC NO: 645203	1 PLACE ± 0.2	DRAWING SIZE		THIRD ANGLE PROJECTION	SERIES: 34899 MATERIAL NUMBER: SEE BOM CUSTOMER: GENERAL MARKET				
	DRWN: GELLIOTTO1	0 PLACES ± 0.5	D							
	2020/09/15	DRAFT WHERE APPLICABLE MUST REMAIN WITHIN DIMENSIONS				DOCUMENT NUMBER	DOC TYPE	DOC PART	SHEET NUMBER	
	A17					SD-34899-2001	PSD	001	3 OF 11	

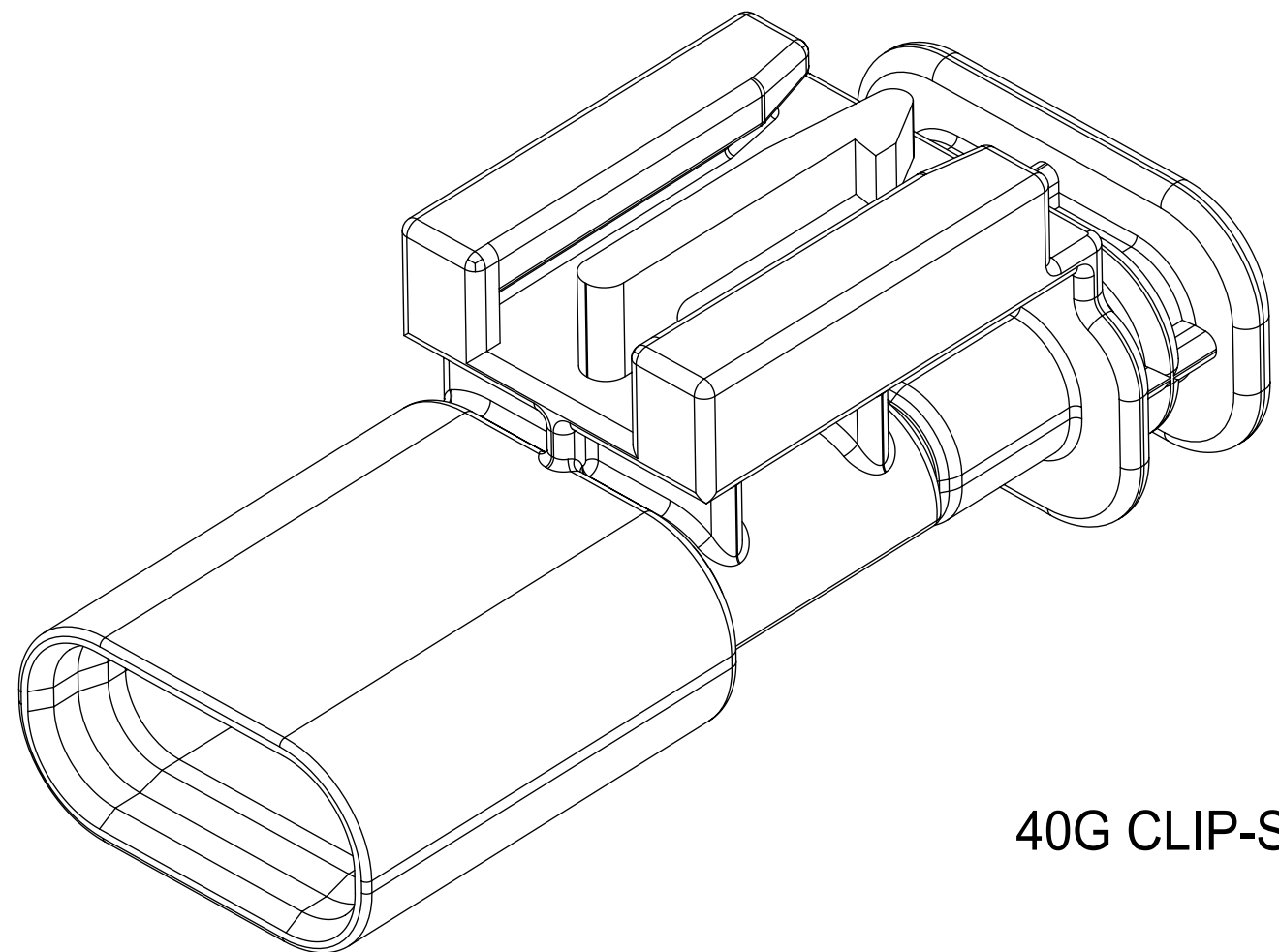
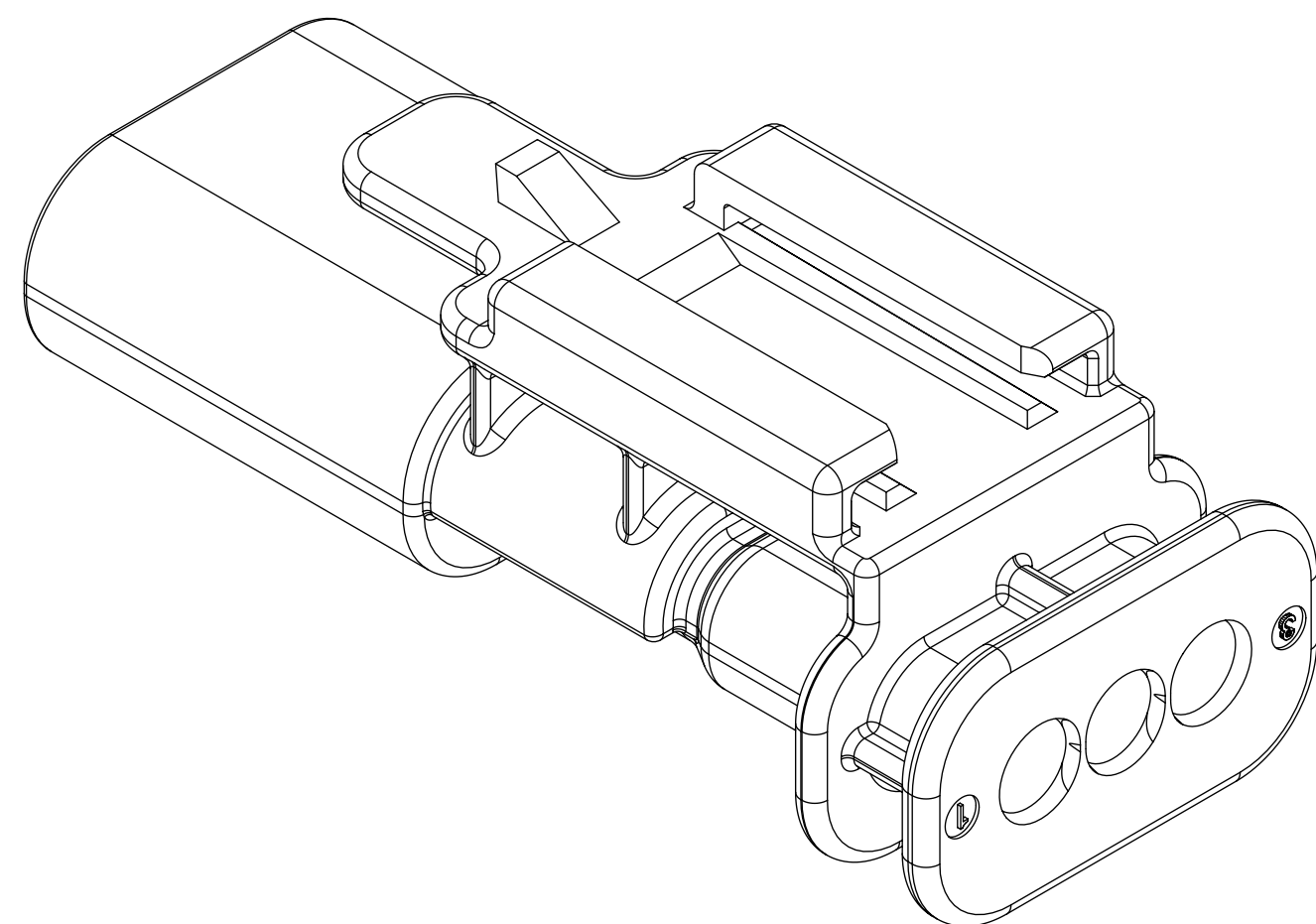
CLIP-SLOT CONFIGURATIONS. FOR PART NUMBERS REFER TO BOM SHEET.



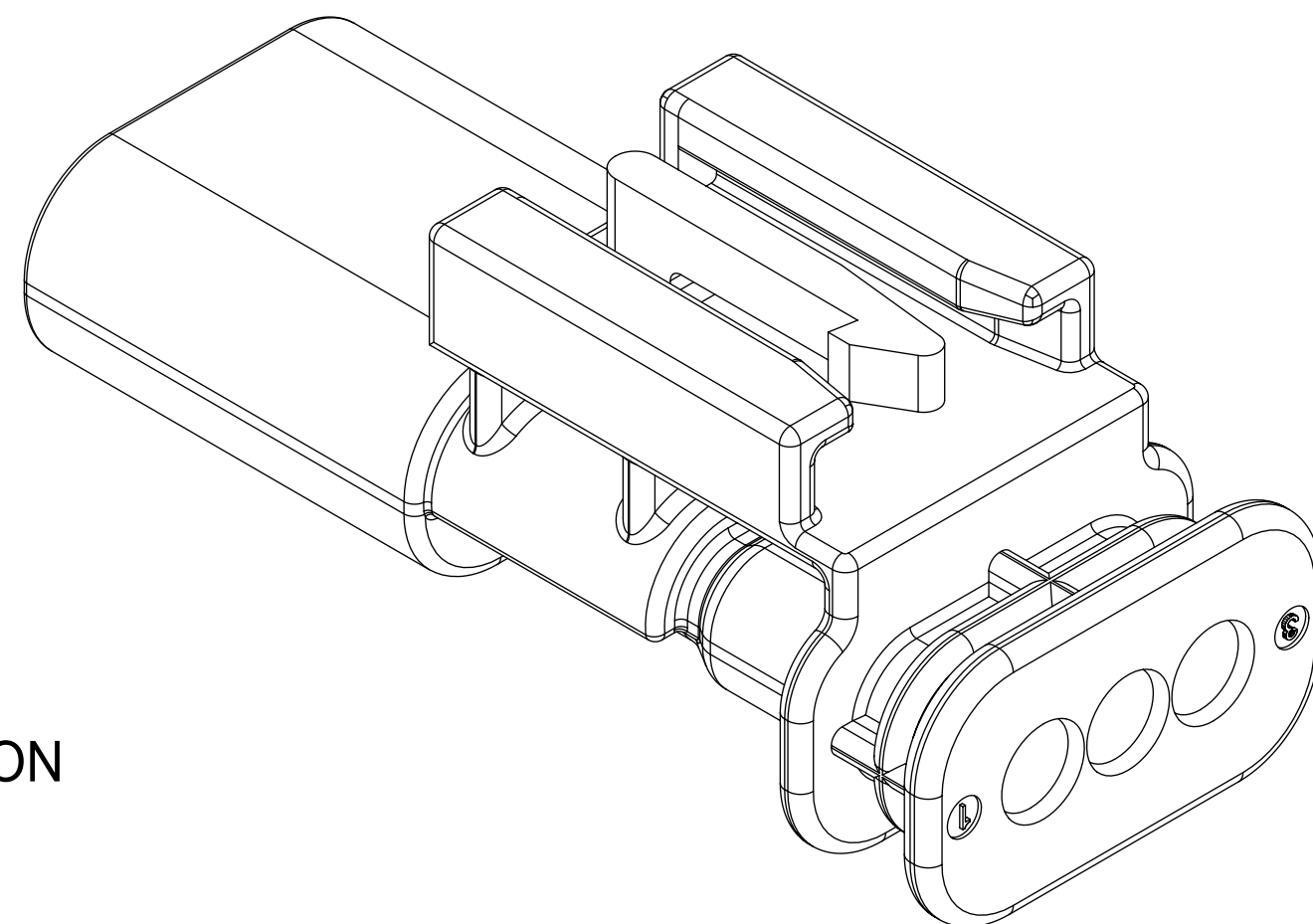
7mm CLIP-SLOT OPTION



11mm CLIP-SLOT OPTION

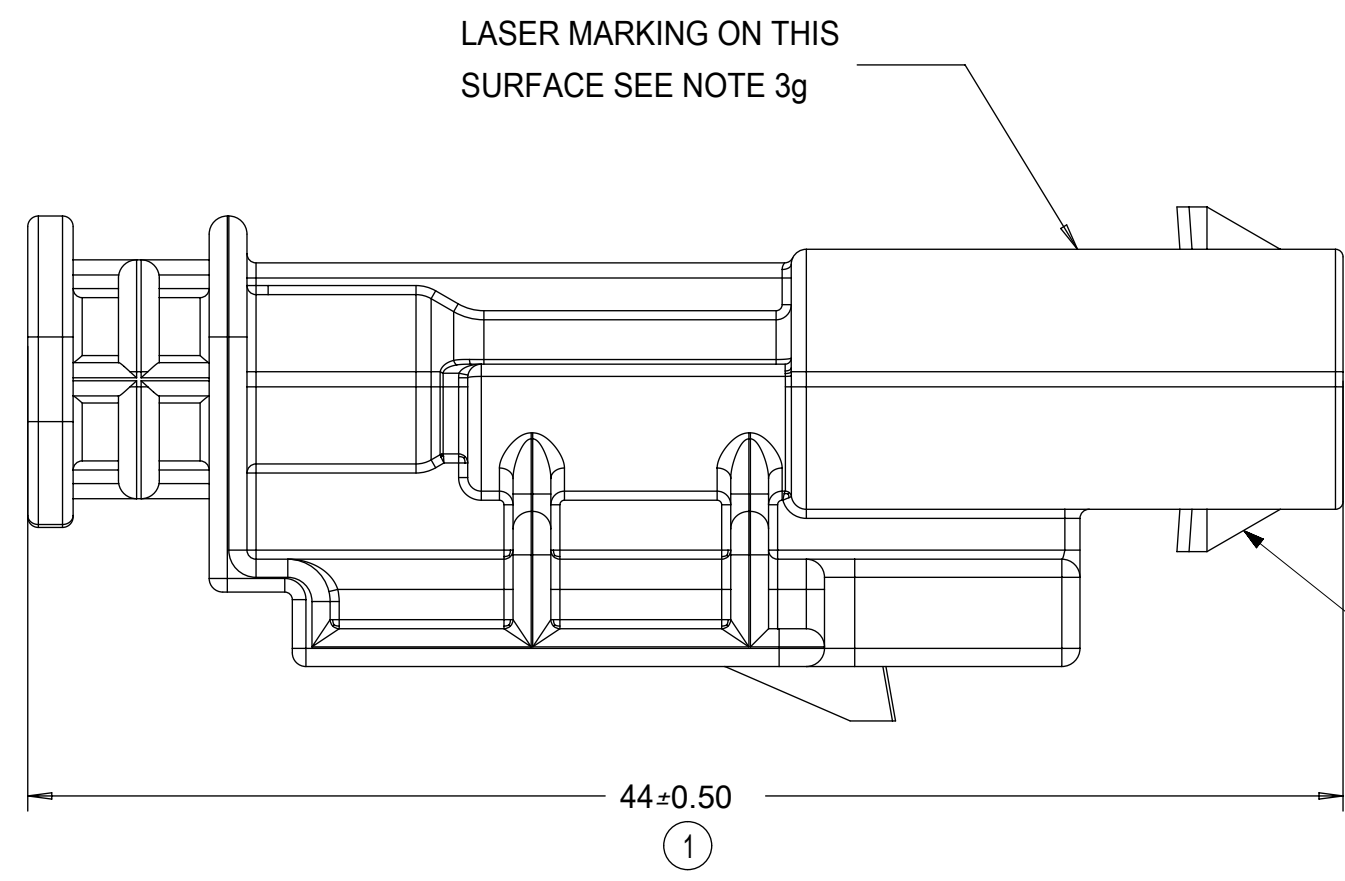


40G CLIP-SLOT OPTION

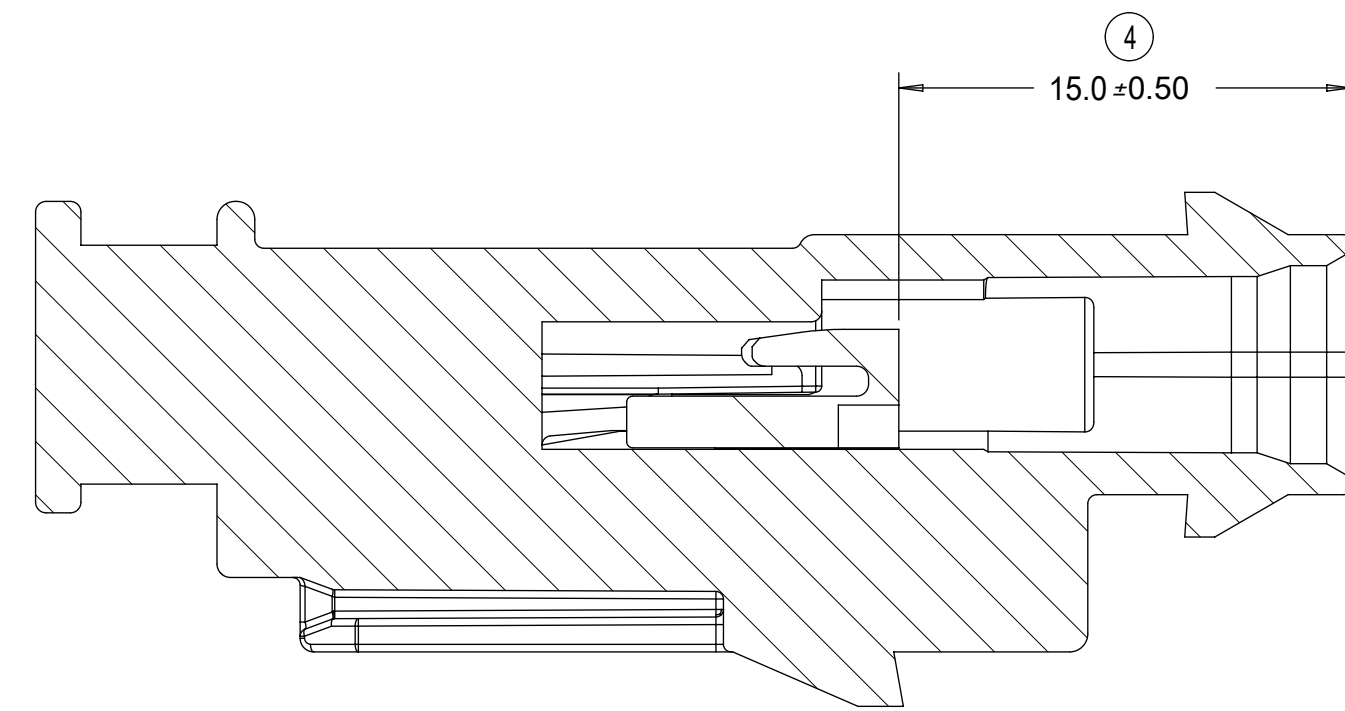
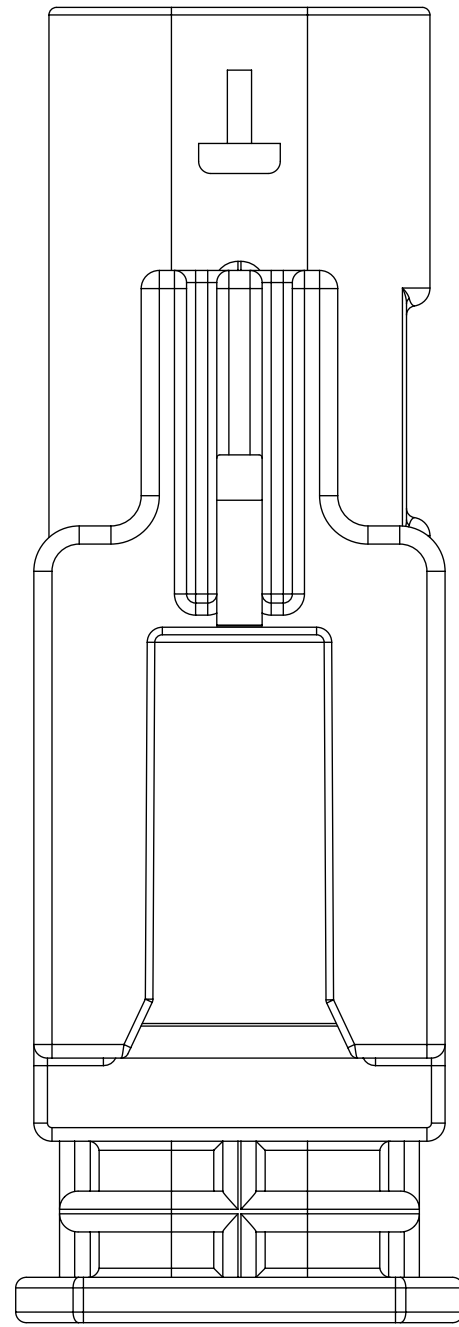
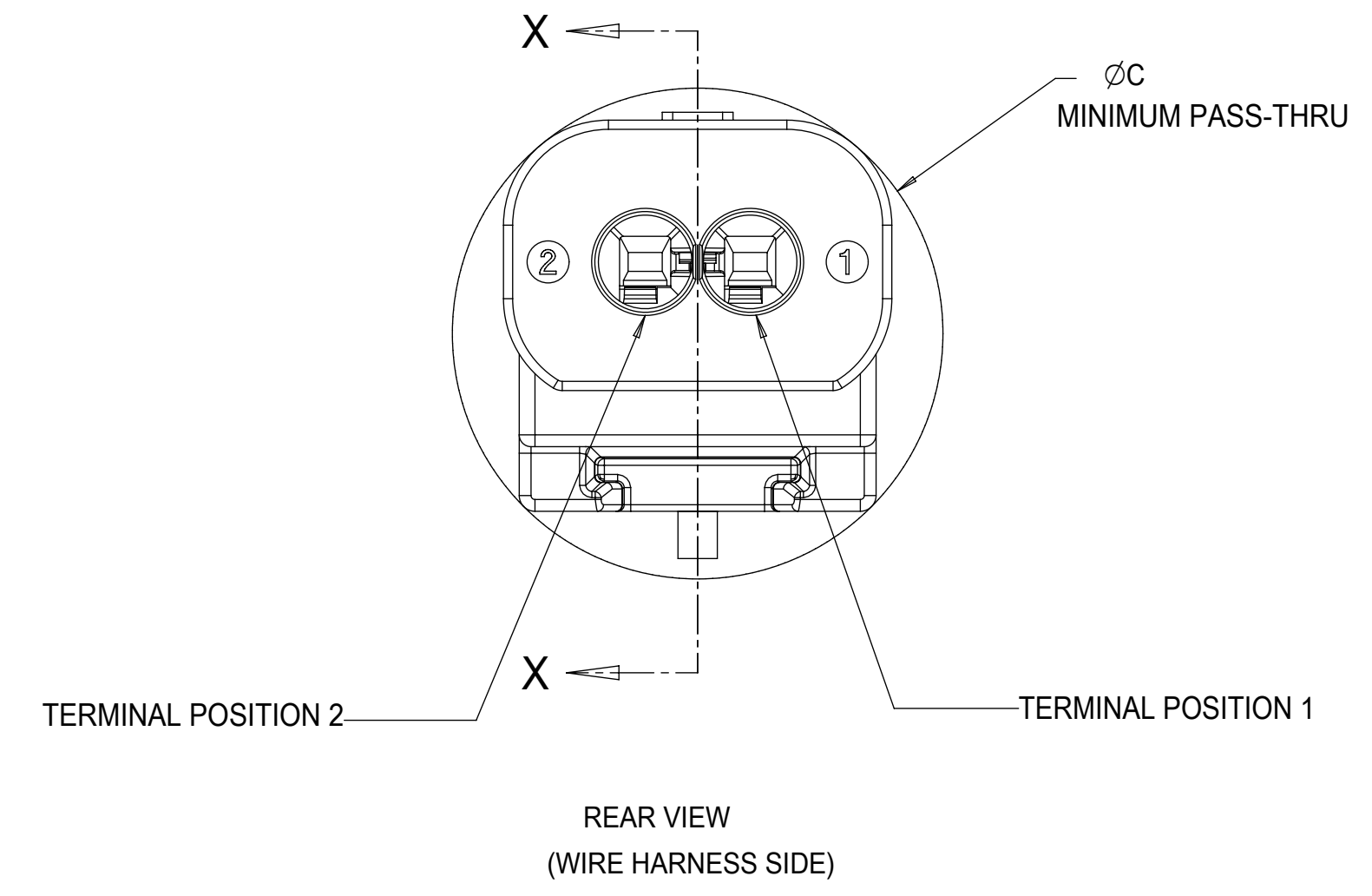
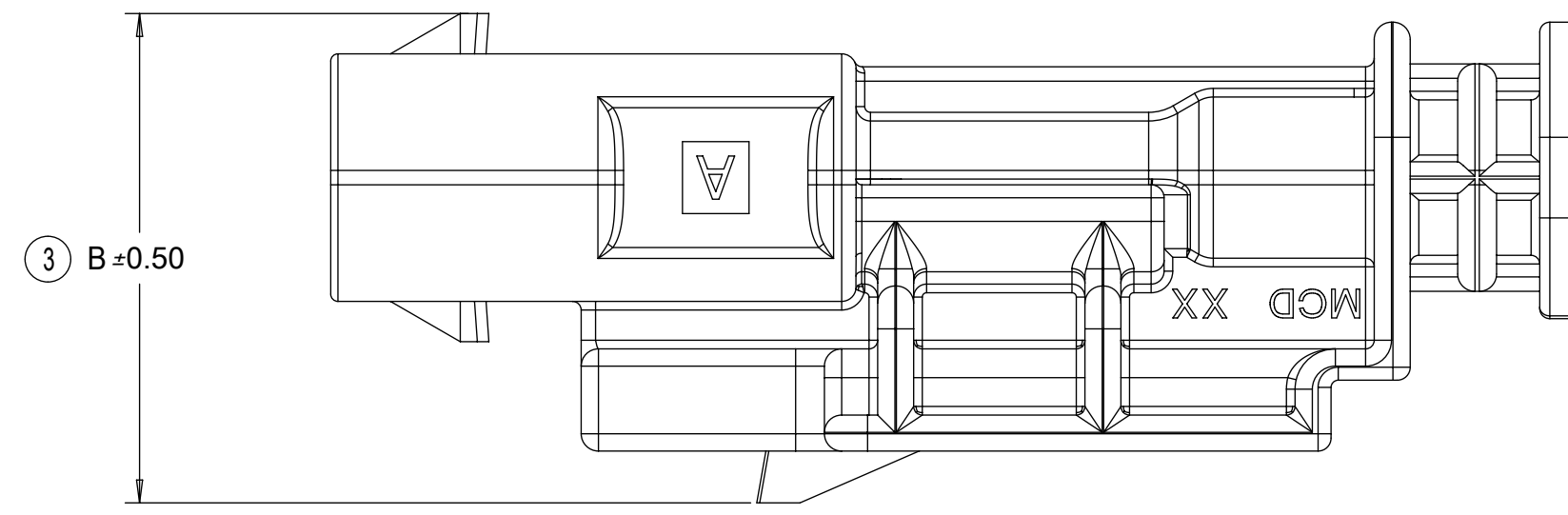
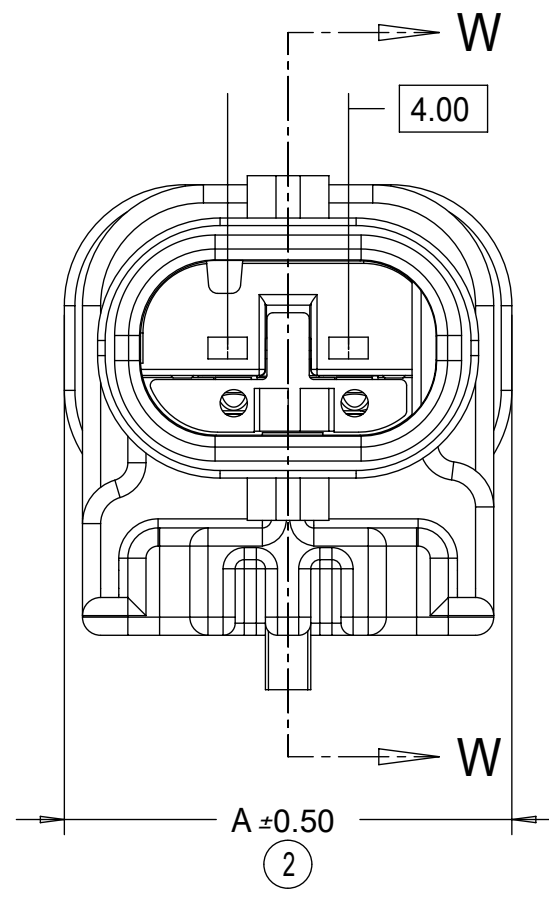


QUALITY SYMBOLS ▽ = 0 ▽ = 0 ▽ = 0 ▽ = 0 ▽ = 0 ▽ = 0 ▽ = 0 ▽ = 0 ▽ = 0		THIS DRAWING CONTAINS INFORMATION THAT IS PROPRIETARY TO MOLEX ELECTRONIC TECHNOLOGIES, LLC AND SHOULD NOT BE USED WITHOUT WRITTEN PERMISSION		GENERAL TOLERANCES (UNLESS SPECIFIED) ANGULAR TOL ± 3.0 ° 4 PLACES ± 3 PLACES ± 2 PLACES ± 0.1 1 PLACE ± 0.2 0 PLACES ± 0.5 DRAFT WHERE APPLICABLE MUST REMAIN WITHIN DIMENSIONS		DIMENSION UNITS: mm SCALE: 4:1 DRWN BY: SKRAJENDRANA DATE: 2013/11/06 CHKD BY: DATE: APPR BY: DATE: DRAWING SIZE: D THIRD ANGLE PROJECTION		molex 1.2MM 1X2, 1X3 BLADE SEALED ASSEMBLY CABLE SEAL 639764 - REMOVED CPA3 AND REPLACED WITH CPA2 AGAIN 64 PRODUCT CUSTOMER DRAWING		SERIES: 34899 MATERIAL NUMBER: SEE BOM CUSTOMER: GENERAL MARKET	
EC NO: 645203 DRWN: GELIOTTO1 CHKD: MVANSLAMBROU REV: APPR: MVANSLAMBROU		2020/09/11 2020/09/15 2020/09/15		A17		DOCUMENT NUMBER: SD-34899-2001 DOC TYPE: PSD DOC PART: 001 SHEET NUMBER: 4 OF 11		RELEASE STATUS: P1 RELEASE DATE: 2020/09/15 14:05:05		19 18 17 16 15 14 13 12 11 10 9 8 7 6 5 4 3 2 1	

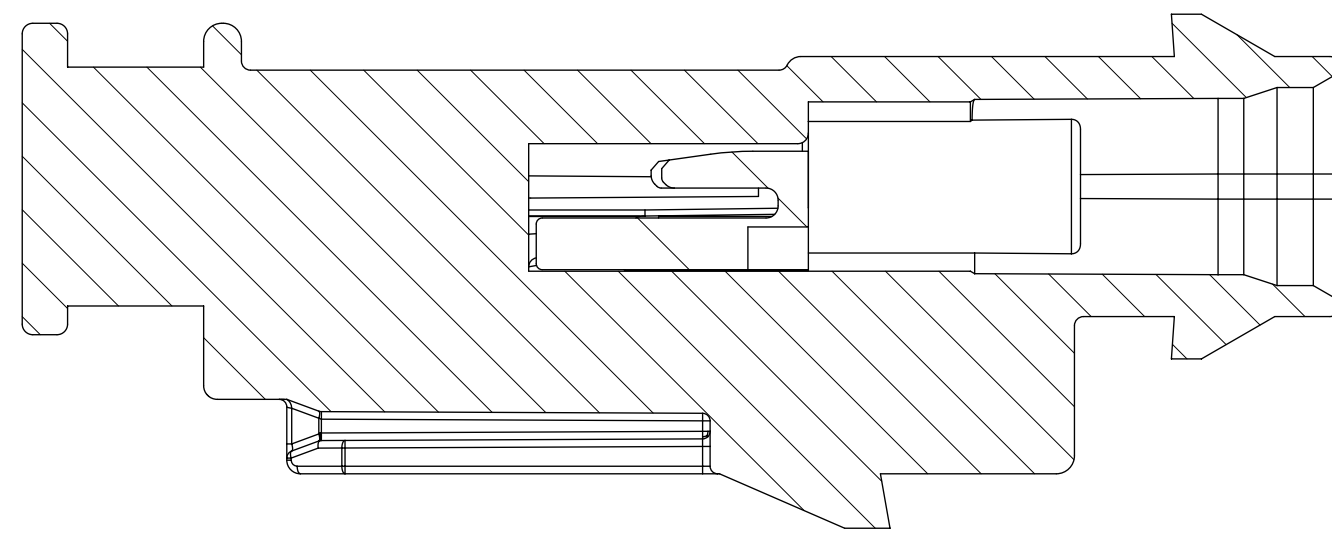
BLADE SEALED ASSEMBLY



SECOND SHARKFIN ONLY PRESENT ON 1X2 PNs



PRIMARY LOCK REINFORCEMENT (PLR) SHOWN IN THE PRE-STAGED POSITION
SECTION W-W

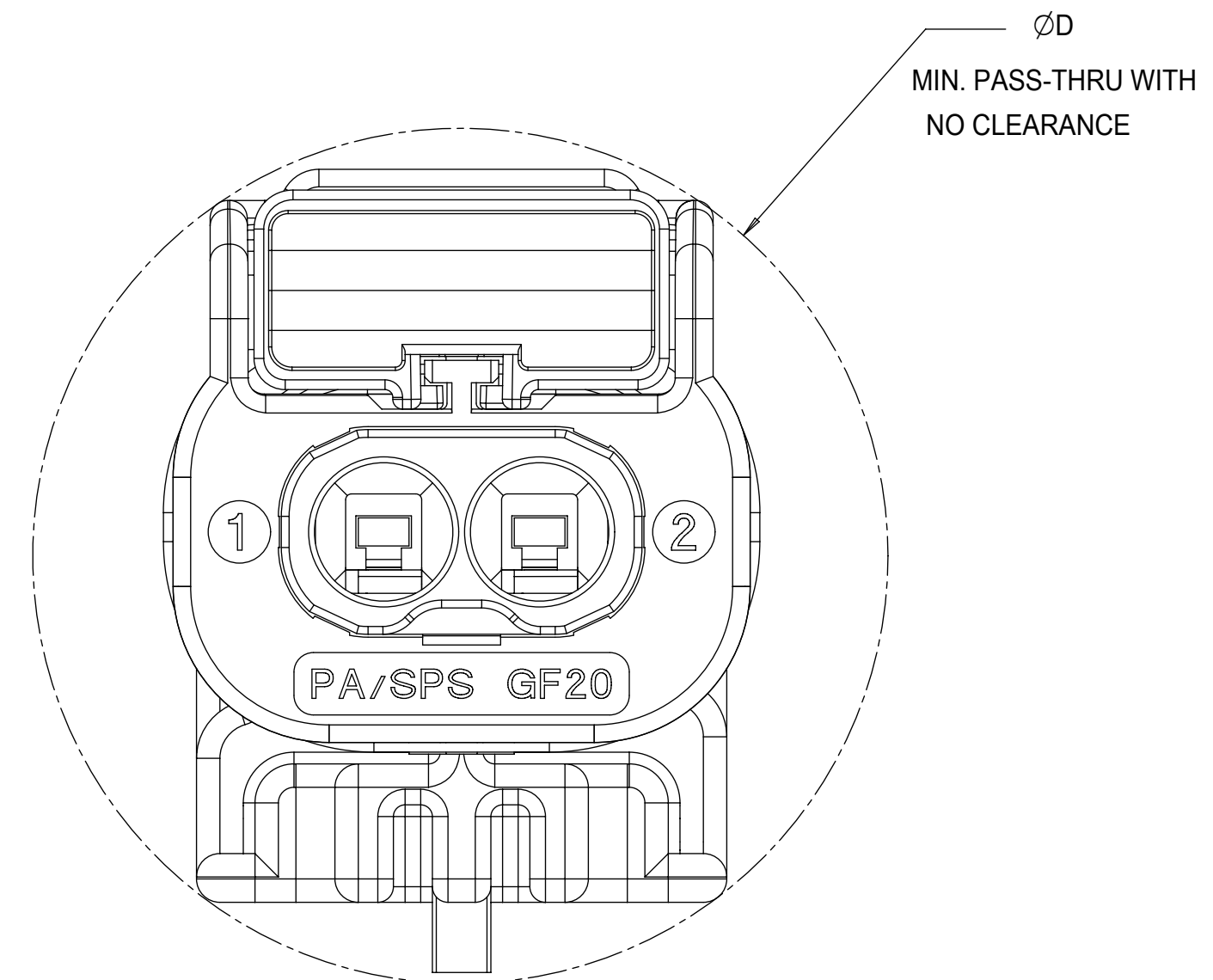
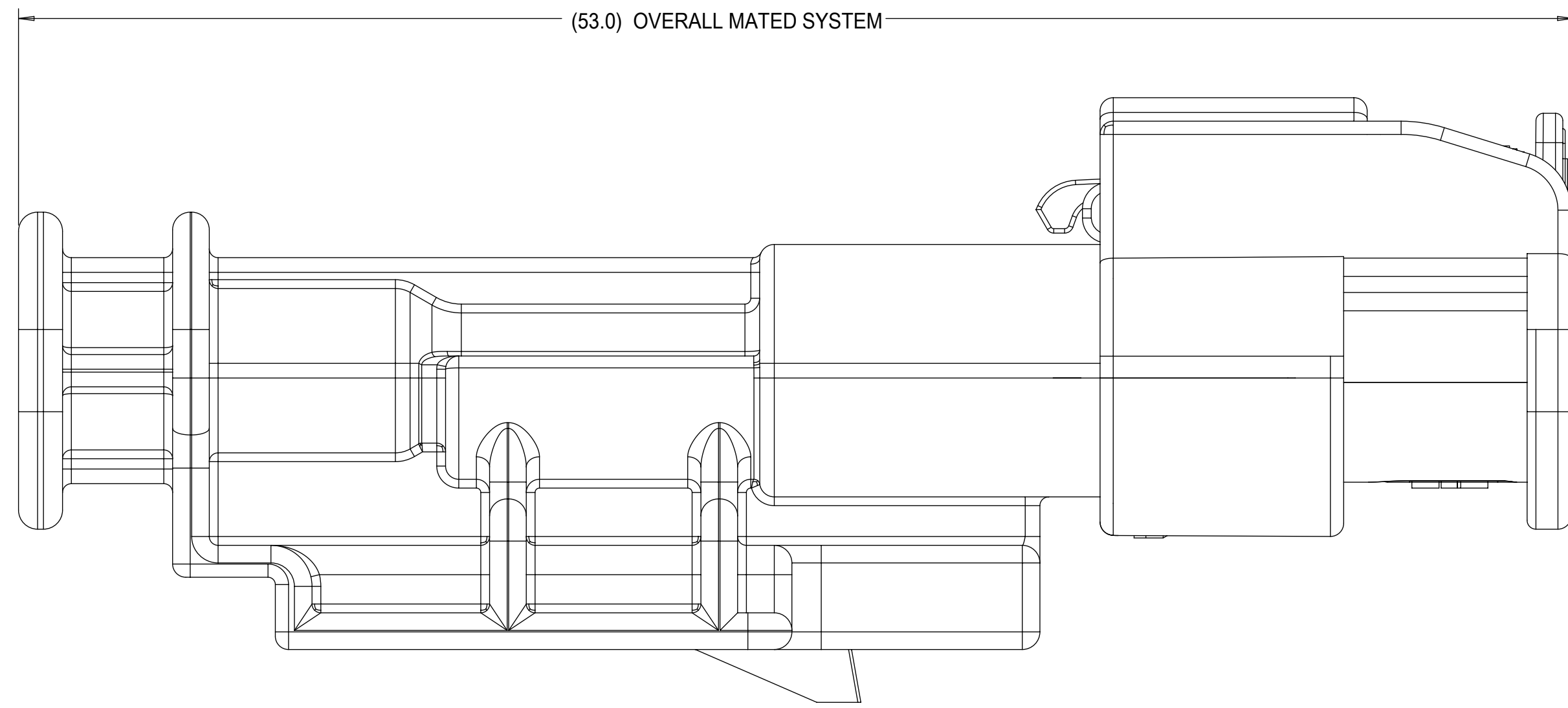


PRIMARY LOCK REINFORCEMENT (PLR) SHOWN IN THE FINAL-LOCK POSITION
SECTION X-X

1x3 BLADE SEALED ASSEMBLY, 40G CLIP SLOT	19	16.75	21.75
1x3 BLADE SEALED ASSEMBLY, 11mm CLIP SLOT	19	14.6	20.75
1x3 BLADE SEALED ASSEMBLY, 7mm CLIP SLOT	19	17	20.5
1x2 BLADE SEALED ASSEMBLY, 40G CLIP SLOT	15	16.75	20.25
1x2 BLADE SEALED ASSEMBLY, 11mm CLIP SLOT	15	15.5	19
1x2 BLADE SEALED ASSEMBLY, 7mm CLIP SLOT	15	17	18.75
CONFIGURATION	A	B	C
CHARTED DIMENSIONS			

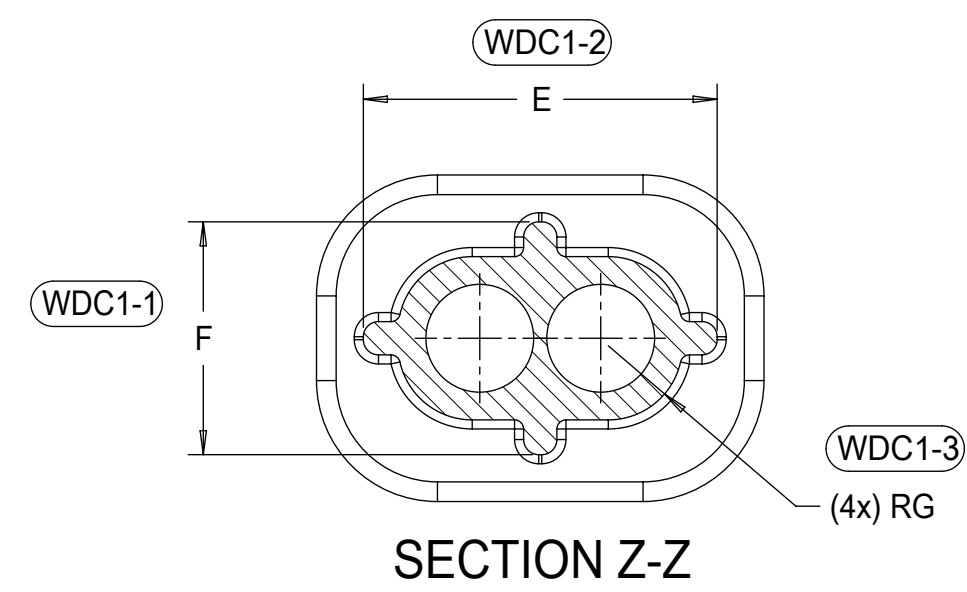
QUALITY SYMBOLS		THIS DRAWING CONTAINS INFORMATION THAT IS PROPRIETARY TO MOLEX ELECTRONIC TECHNOLOGIES, LLC AND SHOULD NOT BE USED WITHOUT WRITTEN PERMISSION							
▽ = 0	2020/09/11	GENERAL TOLERANCES (UNLESS SPECIFIED)	DIMENSION UNITS	SCALE	<p>1.2MM 1X2, 1X3 BLADE SEALED ASSEMBLY CABLE SEAL 639764 - REMOVED CPA3 AND REPLACED WITH CPA2 AGAIN 64</p> <p>PRODUCT CUSTOMER DRAWING</p>				
▽ = 0	2020/09/15		mm	4:1					
▽ = 0	2020/09/15	ANGULAR TOL ± 3.0 °	DRWN BY	DATE					
▽ = 0	2020/09/15	4 PLACES ±	SKRAJENDRANA	2013/11/06					
▽ = 0	2020/09/15	3 PLACES ±	CHKD BY	DATE					
▽ = 0	2020/09/15	2 PLACES ± 0.1	APPR BY	DATE					
▽ = 0	2020/09/15	1 PLACE ± 0.2	DRAWING SIZE	THIRD ANGLE PROJECTION					
▽ = 0	2020/09/15	0 PLACES ± 0.5	D						
▽ = 0	2020/09/15	DRAFT WHERE APPLICABLE MUST REMAIN WITHIN DIMENSIONS	EC NO: 645203	DRWN: GELIOTTO1	SERIES	MATERIAL NUMBER	CUSTOMER		
▽ = 0	2020/09/15		CHKD: MVANSLAMBROU	REV: APPR: MVANSLAMBROU	34899	SEE BOM	GENERAL MARKET		
▽ = 0	2020/09/15		REV: APPR: MVANSLAMBROU		DOCUMENT NUMBER	DOC TYPE	DOC PART	SHEET NUMBER	
▽ = 0	2020/09/15				A17	SD-34899-2001	PSD	001	5 OF 11

CONNECTION SYSTEM PACKAGING



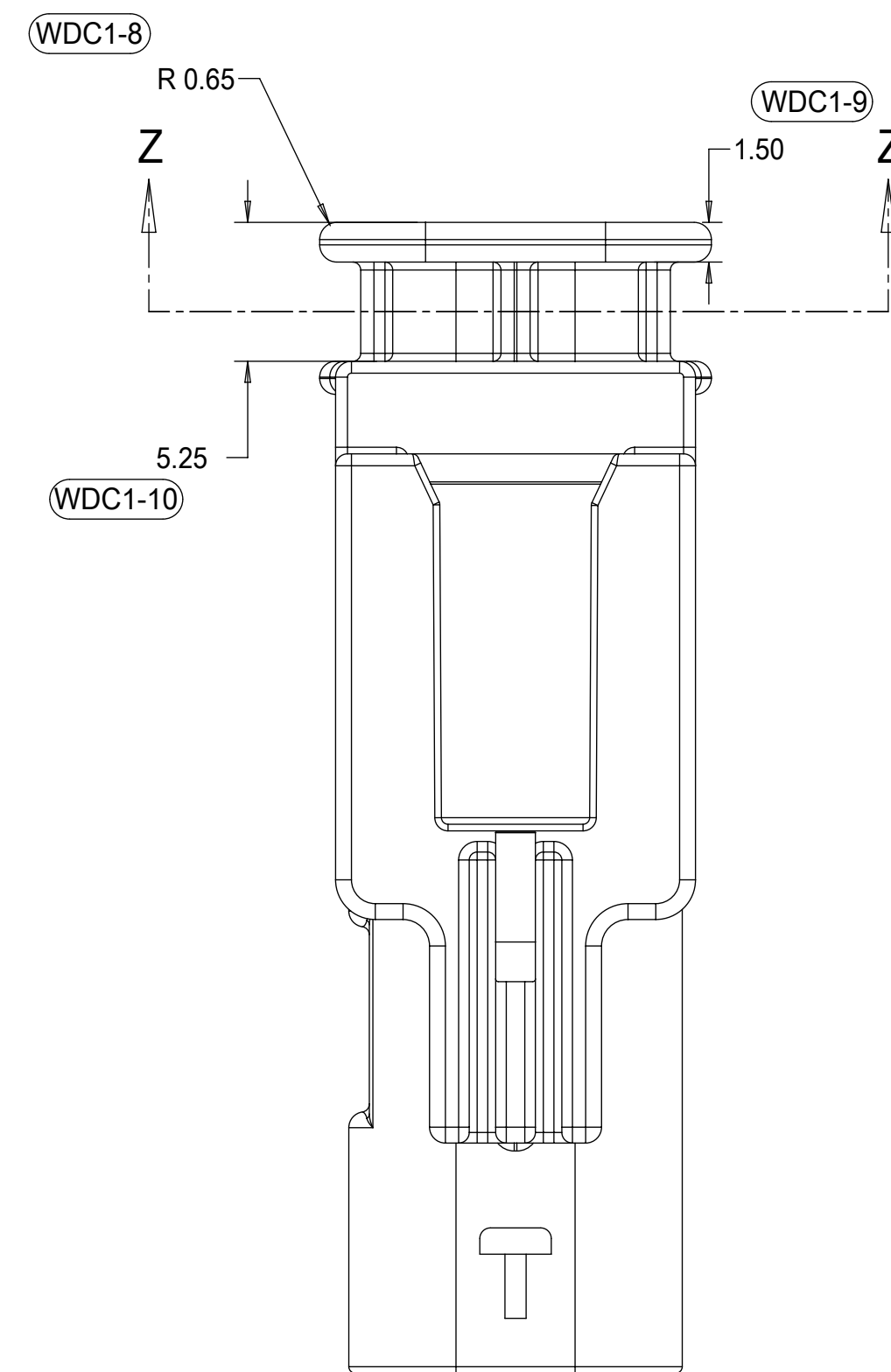
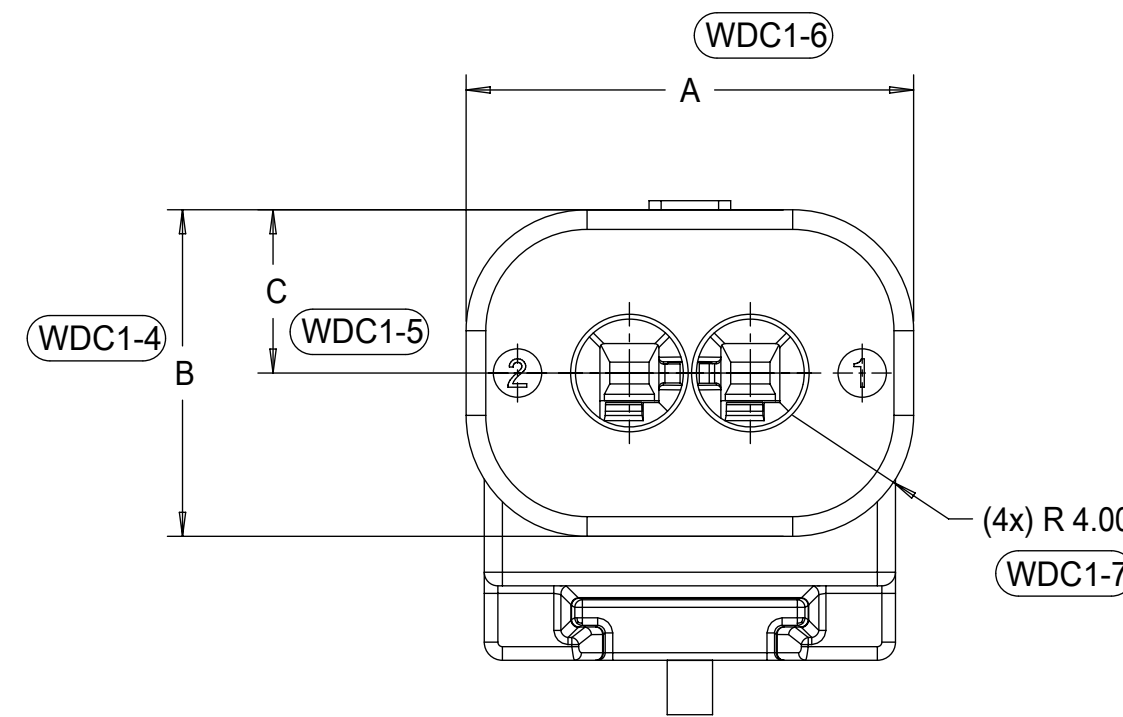
1x3 RECEPTACLE MATED TO 1x3 BLADE, 40 CLIP SLOT	TBD
1x3 RECEPTACLE MATED TO 1x3 BLADE, 11mm CLIP SLOT	24.0
1x3 RECEPTACLE MATED TO 1x3 BLADE, 7mm CLIP SLOT	23.0
1x2 RECEPTACLE MATED TO 1x2 BLADE, 40G CLIP SLOT	23.0
1x2 RECEPTACLE MATED TO 1x2 BLADE, 11mm CLIP SLOT	23.0
1x2 RECEPTACLE MATED TO 1x2 BLADE, 7mm CLIP SLOT	23.0
1.2mm CONNECTION SYSTEM CONFIGURATION	D
CHARTED DIMENSIONS	

QUALITY SYMBOLS □ = 0 ▽ = 0 ▽ = 0 ▽ = 0 ▽ = 0 ▽ = 0 ▽ = 0 ▽ = 0 ▽ = 0 ▽ = 0 ▽ = 0	THIS DRAWING CONTAINS INFORMATION THAT IS PROPRIETARY TO MOLEX ELECTRONIC TECHNOLOGIES, LLC AND SHOULD NOT BE USED WITHOUT WRITTEN PERMISSION		DIMENSION UNITS mm	SCALE 6:1	
	EC NO: 645203 DRWN: GELLIOTTO1 CHKD: MVANSLAMBROU REV APPR: MVANSLAMBROU	2020/09/11 2020/09/15 2020/09/15	GENERAL TOLERANCES (UNLESS SPECIFIED) ANGULAR TOL ± 3.0 ° 4 PLACES ± 3 PLACES ± 2 PLACES ± 0.1 1 PLACE ± 0.2 0 PLACES ± 0.5 DRAFT WHERE APPLICABLE MUST REMAIN WITHIN DIMENSIONS	DRWN BY SKRAJENDRANA	
			DRWN BY SKRAJENDRANA	DATE 2013/11/06	PRODUCT CUSTOMER DRAWING
			APPR BY	DATE	SERIES 34899
			DRAWING SIZE D	THIRD ANGLE PROJECTION	MATERIAL NUMBER SEE BOM
					CUSTOMER GENERAL MARKET
					DOCUMENT NUMBER SD-34899-2001
					DOC TYPE PSD
					DOC PART 001
					SHEET NUMBER 6 OF 11

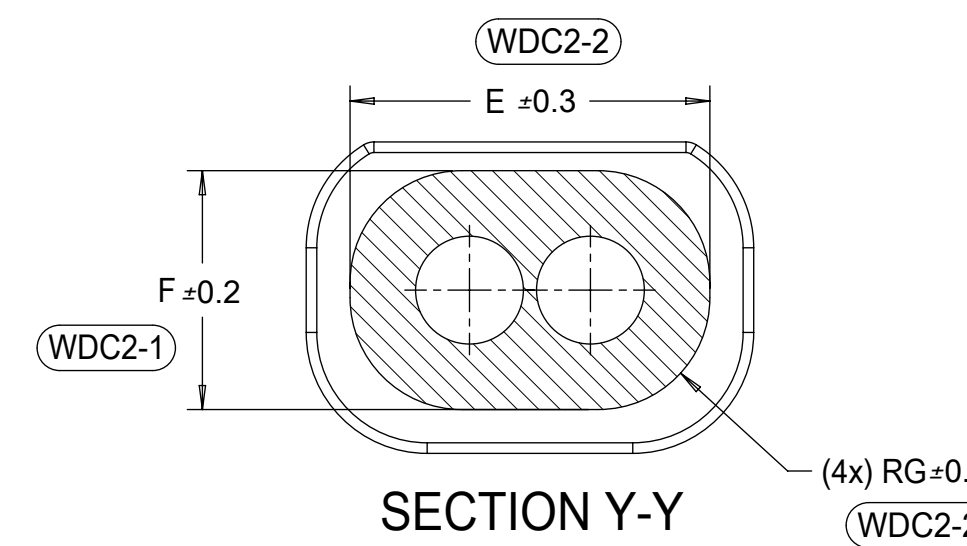


3 CIRCUIT	18.8	10.8	5.4	15.7	7.7	2.45
2 CIRCUIT	14.8	10.8	5.4	11.7	7.7	2.45
CONFIGURATION	A	B	C	E	F	G

CHARTED DIMENSIONS

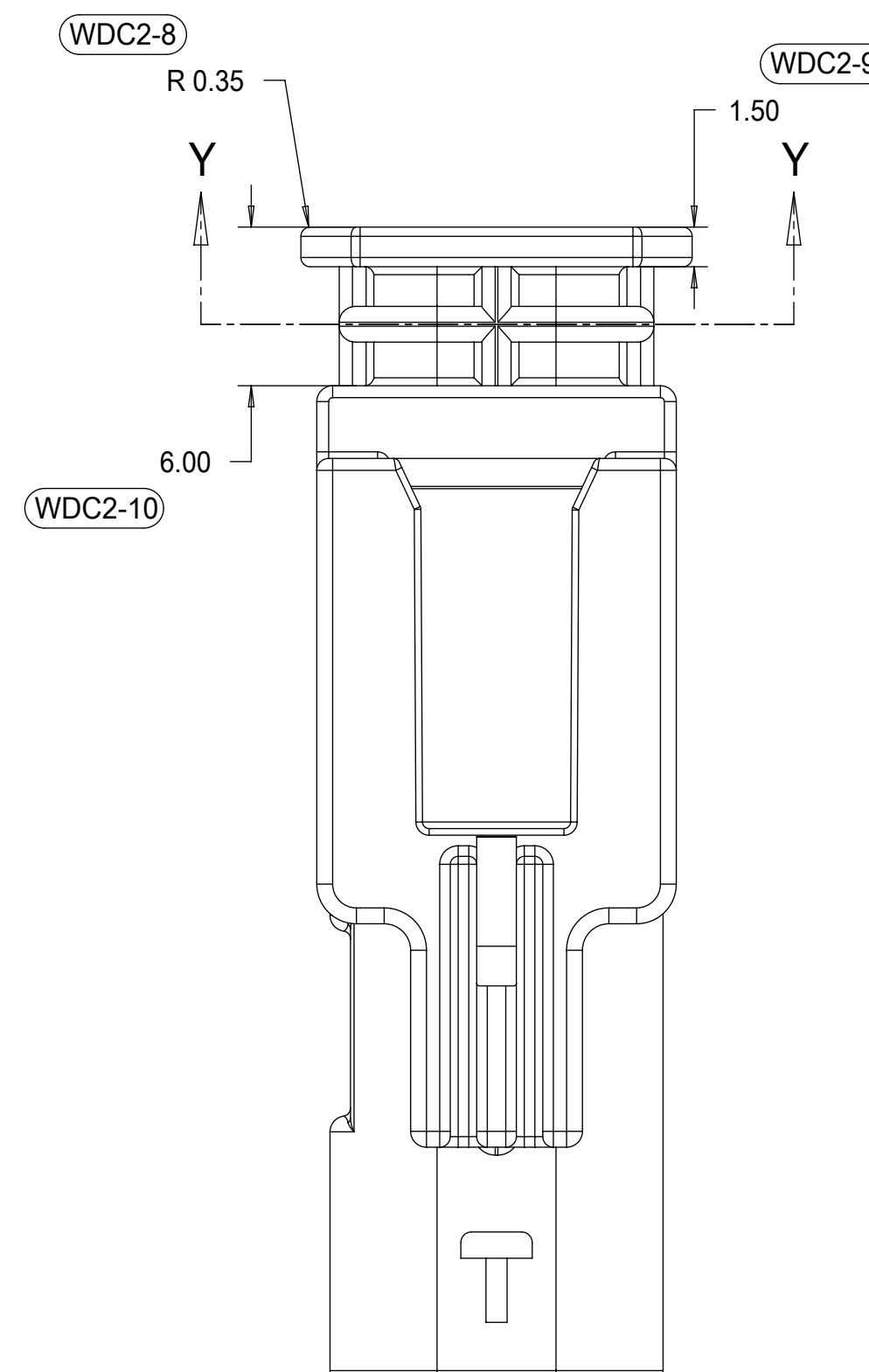
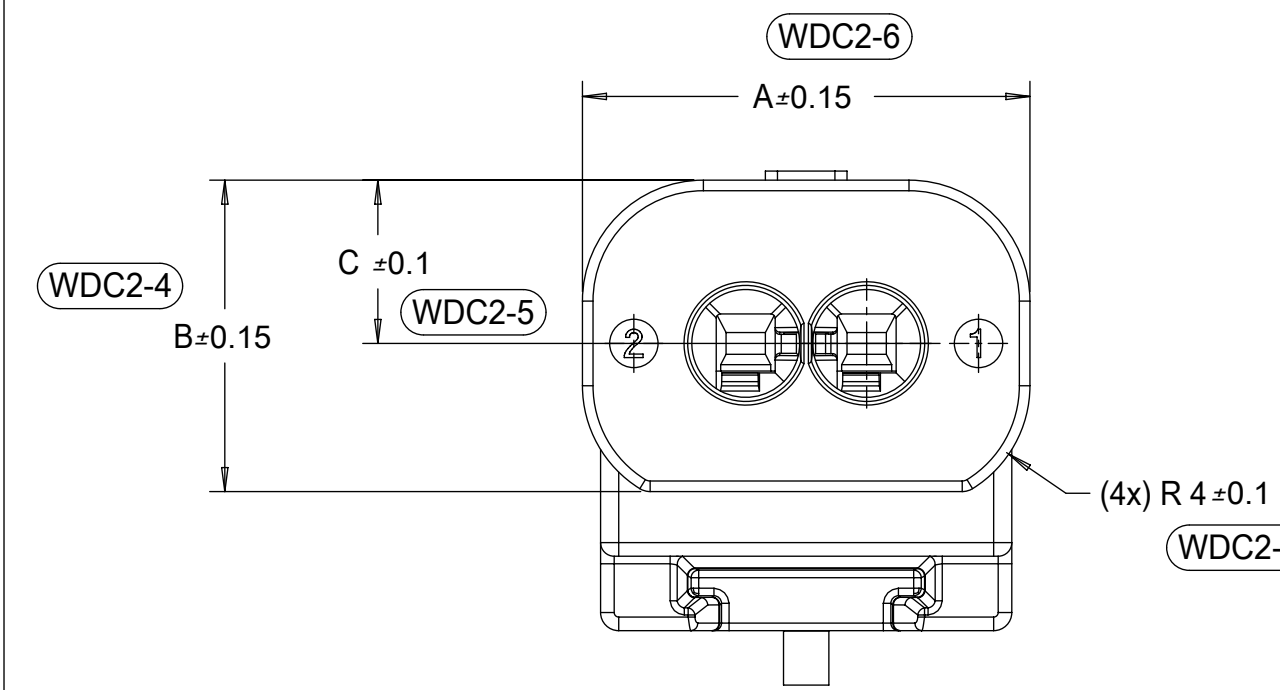


WIRE DRESS COVER
 INTERFACE OPTION 1
 WIRE DRESS COVERS
 NOT AVAILABLE



3 CIRCUIT	18.8	10.8	5.4	15.9	7.9	3.7
2 CIRCUIT	14.8	10.3	5.4	11.9	7.9	3.7
CONFIGURATION	A	B	C	E	F	G

CHARTED DIMENSIONS



WIRE DRESS COVER
 INTERFACE OPTION 2
 BASED ON HIRSCHMANN INTERFACE
 DRAWING 808-012-xxx REV B5

QUALITY SYMBOLS 	THIS DRAWING CONTAINS INFORMATION THAT IS PROPRIETARY TO MOLEX ELECTRONIC TECHNOLOGIES, LLC AND SHOULD NOT BE USED WITHOUT WRITTEN PERMISSION		DIMENSION UNITS mm	SCALE 4:1	
	GENERAL TOLERANCES (UNLESS SPECIFIED) ANGULAR TOL ± 3.0 °	DRWN BY SKRAJENDRANA	DATE 2013/11/06	1.2MM 1X2, 1X3 BLADE SEALED ASSEMBLY CABLE SEAL 639764 - REMOVED CPA3 AND REPLACED WITH CPA2 AGAIN 64	
4 PLACES ± 3 PLACES ± 2 PLACES ± 0.1 1 PLACE ± 0.2 0 PLACES ± 0.5	DRAFT WHERE APPLICABLE MUST REMAIN WITHIN DIMENSIONS	APPR BY DATE	DRAWING SIZE D	THIRD ANGLE PROJECTION 	PRODUCT CUSTOMER DRAWING
EC NO: 645203 DRWN: GELLIOTTO1 CHKD: MVANSLAMBROU REV APPR: MVANSLAMBROU	2020/09/11 2020/09/15 2020/09/15	SERIES 34899	MATERIAL NUMBER SEE TABLE	CUSTOMER GENERAL MARKET	DOCUMENT NUMBER SD-34899-2001
RELEASE STATUS P1	RELEASE DATE 2020/09/15	DOC TYPE PSD	DOC PART 001	SHEET NUMBER 7 OF 11	

1x2 BLADE SEALED ASSEMBLY BOM
 FOR WIRE DRESS COVER INTERFACE 1
 REFER WIRE DRESS COVER INTERFACE SHEET
 FOR DETAILS

ASSEMBLY DESCRIPTION	ASSEMBLY PART NUMBER	WIRE DRESS COVER INTERFACE OPTION	PRODUCTION TOOL STATUS	COMMENTS
KEYING OPTION E, 11mm CLIP SLOT, STONE GRAY	34899-2043			
KEYING OPTION C, 11mm CLIP SLOT, DARK GRAY	34899-2042			
KEYING OPTION B, 11mm CLIP SLOT, LIGHT GRAY	34899-2041			
KEYING OPTION A, 11mm CLIP SLOT, BLACK	34899-2040			
KEYING OPTION E, 11mm CLIP SLOT, YELLOW	34899-2033			
KEYING OPTION C, 11mm CLIP SLOT, YELLOW	34899-2032			
KEYING OPTION B, 11mm CLIP SLOT, YELLOW	34899-2031			
KEYING OPTION A, 11mm CLIP SLOT, YELLOW	34899-2030			
KEYING OPTION E, 7mm CLIP SLOT, STONE GRAY	34899-2023			
KEYING OPTION C, 7mm CLIP SLOT, DARK GRAY	34899-2022			
KEYING OPTION B, 7mm CLIP SLOT, LIGHT GRAY	34899-2021			
KEYING OPTION A, 7mm CLIP SLOT, BLACK	34899-2020			
KEYING OPTION E, 7mm CLIP SLOT, YELLOW	34899-2013			
KEYING OPTION C, 7mm CLIP SLOT, YELLOW	34899-2012			
KEYING OPTION B, 7mm CLIP SLOT, YELLOW	34899-2011			
KEYING OPTION A, 7mm CLIP SLOT, YELLOW	34899-2010			
ASSEMBLY DESCRIPTION	ASSEMBLY PART NUMBER	WIRE DRESS COVER INTERFACE OPTION	PRODUCTION TOOL STATUS	COMMENTS

PLR	COLOR	MATERIAL
1x2 CONNECTOR HOUSING, KEYING OPTION E 11mm CLIP SLOT	STONE GRAY	SPS/NYLON GF20
1x2 CONNECTOR HOUSING, KEYING OPTION C 11mm CLIP SLOT	DARK GRAY	SPS/NYLON GF20
1x2 CONNECTOR HOUSING, KEYING OPTION B 11mm CLIP SLOT	LIGHT GRAY	SPS/NYLON GF20
1x2 CONNECTOR HOUSING, KEYING OPTION A 11mm CLIP SLOT	BLACK	SPS/NYLON GF20
1x2 CONNECTOR HOUSING, KEYING OPTION E 11mm CLIP SLOT	YELLOW	SPS/NYLON GF20
1x2 CONNECTOR HOUSING, KEYING OPTION C 11mm CLIP SLOT	YELLOW	SPS/NYLON GF20
1x2 CONNECTOR HOUSING, KEYING OPTION B 11mm CLIP SLOT	YELLOW	SPS/NYLON GF20
1x2 CONNECTOR HOUSING, KEYING OPTION A 11mm CLIP SLOT	YELLOW	SPS/NYLON GF20
1x2 CONNECTOR HOUSING, KEYING OPTION E 7mm CLIP SLOT	STONE GRAY	SPS/NYLON GF20
1x2 CONNECTOR HOUSING, KEYING OPTION C 7mm CLIP SLOT	DARK GRAY	SPS/NYLON GF20
1x2 CONNECTOR HOUSING, KEYING OPTION B 7mm CLIP SLOT	LIGHT GRAY	SPS/NYLON GF20
1x2 CONNECTOR HOUSING, KEYING OPTION A 7mm CLIP SLOT	BLACK	SPS/NYLON GF20
1x2 CONNECTOR HOUSING, KEYING OPTION E 7mm CLIP SLOT	YELLOW	SPS/NYLON GF20
1x2 CONNECTOR HOUSING, KEYING OPTION C 7mm CLIP SLOT	YELLOW	SPS/NYLON GF20
1x2 CONNECTOR HOUSING, KEYING OPTION B 7mm CLIP SLOT	YELLOW	SPS/NYLON GF20
1x2 CONNECTOR HOUSING, KEYING OPTION A 7mm CLIP SLOT	YELLOW	SPS/NYLON GF20

DESCRIPTION	COLOR	MATERIAL
BOM/APPLICABLE COMPONENTS TABLE		

ABREVIATION	COMPONENT
A	CONNECTOR HOUSING KEYING OPTION A
B	CONNECTOR HOUSING KEYING OPTION B
C	CONNECTOR HOUSING KEYING OPTION C
E	CONNECTOR HOUSING KEYING OPTION E

QUALITY SYMBOLS 		THIS DRAWING CONTAINS INFORMATION THAT IS PROPRIETARY TO MOLEX ELECTRONIC TECHNOLOGIES, LLC AND SHOULD NOT BE USED WITHOUT WRITTEN PERMISSION		DIMENSION UNITS: mm SCALE: 2:1	
DRWN BY: SKRAJENDRANA DATE: 2013/11/06		GENERAL TOLERANCES (UNLESS SPECIFIED) ANGULAR TOL ± 3.0 °			
CHKD BY: SKRAJENDRANA DATE:		4 PLACES ± 3 PLACES ± 2 PLACES ± 0.1 1 PLACE ± 0.2 0 PLACES ± 0.5			
APPR BY: SKRAJENDRANA DATE:		DRAFT WHERE APPLICABLE MUST REMAIN WITHIN DIMENSIONS			
EC NO: 645203 DRWN: GELLIOTTO1 CHKD: MVANSLAMBROU REV APPR: MVANSLAMBROU		DRAUGHT SIZE: D THIRD ANGLE PROJECTION		PRODUCT CUSTOMER DRAWING	
RELEASE STATUS: P1 RELEASE DATE: 2020/09/15 14:05:05		A17		SERIES: 34899 MATERIAL NUMBER: SEE BOM CUSTOMER: GENERAL MARKET	
DOCUMENT NUMBER: SD-34899-2001		DOC TYPE: PSD		DOC PART: 001 SHEET NUMBER: 8 OF 11	

1x2 BLADE SEALED ASSEMBLY BOM
 FOR WIRE DRESS COVER INTERFACE 2
 REFER WIRE DRESS COVER INTERFACE SHEET
 FOR DETAILS

KEYING OPTION A, 40G CLIP SLOT, BLACK	34899-2060	2																	A	OK TO TOOL		
KEYING OPTION A, 40G CLIP SLOT, YELLOW	34899-2050	2																		A	OK TO TOOL	
KEYING OPTION E, 7mm CLIP SLOT, STONE GRAY	34899-2083	2																		E	OK TO TOOL	
KEYING OPTION C, 7mm CLIP SLOT, DARK GRAY	34899-2082	2																		C	SALEABLE	
KEYING OPTION B, 7mm CLIP SLOT, LIGHT GRAY	34899-2081	2																		B	SALEABLE	
KEYING OPTION A, 7mm CLIP SLOT, BLACK	34899-2080	2																		A	SALEABLE	
KEYING OPTION E, 7mm CLIP SLOT, YELLOW	34899-2073	2																		E	OK TO TOOL	
KEYING OPTION C, 7mm CLIP SLOT, YELLOW	34899-2072	2																		C	SALEABLE	
KEYING OPTION B, 7mm CLIP SLOT, YELLOW	34899-2071	2																		B	SALEABLE	
KEYING OPTION A, 7mm CLIP SLOT, YELLOW	34899-2070	2																		A	SALEABLE	
ASSEMBLY DESCRIPTION	ASSEMBLY PART NUMBER	WIRE DRESS COVER INTERFACE OPTION																			PRODUCTION TOOL STATUS	COMMENTS

PLR	NATURAL	SPS/NYLON GF20
1x2 CONNECTOR HOUSING, KEYING OPTION A 40G CLIP SLOT	BLACK	SPS/NYLON GF20
1x2 CONNECTOR HOUSING, KEYING OPTION A 40G CLIP SLOT	YELLOW	SPS/NYLON GF20
1x2 CONNECTOR HOUSING, KEYING OPTION E 7mm CLIP SLOT	STONE GRAY	SPS/NYLON GF20
1x2 CONNECTOR HOUSING, KEYING OPTION C 7mm CLIP SLOT	DARK GRAY	SPS/NYLON GF20
1x2 CONNECTOR HOUSING, KEYING OPTION B 7mm CLIP SLOT	LIGHT GRAY	SPS/NYLON GF20
1x2 CONNECTOR HOUSING, KEYING OPTION A 7mm CLIP SLOT	BLACK	SPS/NYLON GF20
1x2 CONNECTOR HOUSING, KEYING OPTION E 7mm CLIP SLOT	YELLOW	SPS/NYLON GF20
1x2 CONNECTOR HOUSING, KEYING OPTION C 7mm CLIP SLOT	YELLOW	SPS/NYLON GF20
1x2 CONNECTOR HOUSING, KEYING OPTION B 7mm CLIP SLOT	YELLOW	SPS/NYLON GF20
1x2 CONNECTOR HOUSING, KEYING OPTION A 7mm CLIP SLOT	YELLOW	SPS/NYLON GF20
DESCRIPTION	COLOR	MATERIAL

BOM/APPLICABLE COMPONENTS TABLE

ABBREVIATION	COMPONENT
A	CONNECTOR HOUSING KEYING OPTION A
B	CONNECTOR HOUSING KEYING OPTION B
C	CONNECTOR HOUSING KEYING OPTION C
E	CONNECTOR HOUSING KEYING OPTION E

QUALITY SYMBOLS	THIS DRAWING CONTAINS INFORMATION THAT IS PROPRIETARY TO MOLEX ELECTRONIC TECHNOLOGIES, LLC AND SHOULD NOT BE USED WITHOUT WRITTEN PERMISSION			
▽ = 0	2020/09/11 DRWN: GELIOTT01 2020/09/15 CHKD: MVANSLAMBROU 2020/09/15 REV APPR: MVANSLAMBROU	GENERAL TOLERANCES (UNLESS SPECIFIED)	DIMENSION UNITS	SCALE
▽ = 0		ANGULAR TOL ± 3.0 °	mm	
▽ = 0		4 PLACES ±	DRWN BY	DATE
▽ = 0	3 PLACES ±	SKRAJENDRANA	2013/11/06	
▽ = 0	2 PLACES ± 0.1	CHKD BY	DATE	
▽ = 0	1 PLACE ± 0.2	APPR BY	DATE	
▽ = 0	0 PLACES ± 0.5	DRAFT WHERE APPLICABLE MUST REMAIN WITHIN DIMENSIONS	DRAWING SIZE	THIRD ANGLE PROJECTION
▽ = 0			D	
RELEASE STATUS	P1	RELEASE DATE	2020/09/15	14:05:05



1.2MM 1X2, 1X3 BLADE SEALED ASSEMBLY CABLE SEAL 639764 - REMOVED CPA3 AND REPLACED WITH CPA2 AGAIN 64

PRODUCT CUSTOMER DRAWING

SERIES: 34899 MATERIAL NUMBER: SEE BOM CUSTOMER: GENERAL MARKET

DOCUMENT NUMBER: SD-34899-2001 DOC TYPE: PSD DOC PART: 001 SHEET NUMBER: 9 OF 11


1x3 BLADE SEALED ASSEMBLY BOM
FOR WIRE DRESS COVER INTERFACE 1
REFER WIRE DRESS COVER INTERFACE SHEET
FOR DETAILS

KEYING OPTION D, 11mm CLIP SLOT, STONE GRAY	34899-3043	1															D	TOOLED BUT NOT VALIDATED		EM-34899-3033
KEYING OPTION C, 11mm CLIP SLOT, DARK GRAY	34899-3042	1															C	TOOLED BUT NOT VALIDATED		EM-34899-3032
KEYING OPTION B, 11mm CLIP SLOT, LIGHT GRAY	34899-3041	1															B	SALEABLE		EM-34899-3031
KEYING OPTION A, 11mm CLIP SLOT, BLACK	34899-3040	1															A	SALEABLE		EM-34899-3030
KEYING OPTION D, 11mm CLIP SLOT, YELLOW	34899-3033	1															D	TOOLED BUT NOT VALIDATED		EM-34899-3033
KEYING OPTION C, 11mm CLIP SLOT, YELLOW	34899-3032	1															C	TOOLED BUT NOT VALIDATED		EM-34899-3032
KEYING OPTION B, 11mm CLIP SLOT, YELLOW	34899-3031	1															B	OBSOLETE		EM-34899-3031
KEYING OPTION A, 11mm CLIP SLOT, YELLOW	34899-3030	1															A	SALEABLE		EM-34899-3030
KEYING OPTION D, 7mm CLIP SLOT, STONE GRAY	34899-3023	1															D	TOOLED BUT NOT VALIDATED		EM-34899-3013
KEYING OPTION C, 7mm CLIP SLOT, DARK GRAY	34899-3022	1															C	TOOLED BUT NOT VALIDATED		EM-34899-3012
KEYING OPTION B, 7mm CLIP SLOT, LIGHT GRAY	34899-3021	1															B	SALEABLE		EM-34899-3011
KEYING OPTION A, 7mm CLIP SLOT, BLACK	34899-3020	1															A	SALEABLE		EM-34899-3010
KEYING OPTION D, 7mm CLIP SLOT, YELLOW	34899-3013	1															D	TOOLED BUT NOT VALIDATED		EM-34899-3013
KEYING OPTION C, 7mm CLIP SLOT, YELLOW	34899-3012	1															C	TOOLED BUT NOT VALIDATED		EM-34899-3012
KEYING OPTION B, 7mm CLIP SLOT, YELLOW	34899-3011	1															B	OBSOLETE		EM-34899-3011
KEYING OPTION A, 7mm CLIP SLOT, YELLOW	34899-3010	1															A	SALEABLE		EM-34899-3010
ASSEMBLY DESCRIPTION	ASSEMBLY PART NUMBER	WIRE DRESS COVER INTERFACE OPTION																PRODUCTION TOOL STATUS	COMMENTS	MODEL NUMBER

PLR	NATURAL	SPS/NYLON GF20
1x3 CONNECTOR HOUSING, KEYING OPTION D 11mm CLIP SLOT	STONE GRAY	SPS/NYLON GF20
1x3 CONNECTOR HOUSING, KEYING OPTION C 11mm CLIP SLOT	DARK GRAY	SPS/NYLON GF20
1x3 CONNECTOR HOUSING, KEYING OPTION B 11mm CLIP SLOT	LIGHT GRAY	SPS/NYLON GF20
1x3 CONNECTOR HOUSING, KEYING OPTION A 11mm CLIP SLOT	BLACK	SPS/NYLON GF20
1x3 CONNECTOR HOUSING, KEYING OPTION D 11mm CLIP SLOT	YELLOW	SPS/NYLON GF20
1x3 CONNECTOR HOUSING, KEYING OPTION C 11mm CLIP SLOT	YELLOW	SPS/NYLON GF20
1x3 CONNECTOR HOUSING, KEYING OPTION B 11mm CLIP SLOT	YELLOW	SPS/NYLON GF20
1x3 CONNECTOR HOUSING, KEYING OPTION A 11mm CLIP SLOT	YELLOW	SPS/NYLON GF20
1x3 CONNECTOR HOUSING, KEYING OPTION D 7mm CLIP SLOT	STONE GRAY	SPS/NYLON GF20
1x3 CONNECTOR HOUSING, KEYING OPTION C 7mm CLIP SLOT	DARK GRAY	SPS/NYLON GF20
1x3 CONNECTOR HOUSING, KEYING OPTION B 7mm CLIP SLOT	LIGHT GRAY	SPS/NYLON GF20
1x3 CONNECTOR HOUSING, KEYING OPTION A 7mm CLIP SLOT	BLACK	SPS/NYLON GF20
1x3 CONNECTOR HOUSING, KEYING OPTION D 7mm CLIP SLOT	YELLOW	SPS/NYLON GF20
1x3 CONNECTOR HOUSING, KEYING OPTION C 7mm CLIP SLOT	YELLOW	SPS/NYLON GF20
1x3 CONNECTOR HOUSING, KEYING OPTION B 7mm CLIP SLOT	YELLOW	SPS/NYLON GF20
1x3 CONNECTOR HOUSING, KEYING OPTION A 7mm CLIP SLOT	YELLOW	SPS/NYLON GF20
DESCRIPTION	COLOR	MATERIAL

BOM/APPLICABLE COMPONENTS TABLE

ABBREVIATION	COMPONENT
A	CONNECTOR HOUSING KEYING OPTION A
B	CONNECTOR HOUSING KEYING OPTION B
C	CONNECTOR HOUSING KEYING OPTION C
D	CONNECTOR HOUSING KEYING OPTION D

QUALITY SYMBOLS	THIS DRAWING CONTAINS INFORMATION THAT IS PROPRIETARY TO MOLEX ELECTRONIC TECHNOLOGIES, LLC AND SHOULD NOT BE USED WITHOUT WRITTEN PERMISSION									
□ = 0	EC NO: 645203 DRWN: GELLIOTTO1 CHKD: MVANSLAMBROU REV: APPR: MVANSLAMBROU	GENERAL TOLERANCES (UNLESS SPECIFIED)		DIMENSION UNITS	SCALE	 1.2MM 1X2, 1X3 BLADE SEALED ASSEMBLY CABLE SEAL 639764 - REMOVED CPA3 AND REPLACED WITH CPA2 AGAIN 64				
△ = 0		ANGULAR TOL ± 3.0 °		mm						
▽ = 0		4 PLACES ±		SKRAJENDRANA	2013/11/06					
▽ = 0		3 PLACES ±		CHKD BY	DATE					
▽ = 0		2 PLACES ± 0.1		APPR BY	DATE					
▽ = 0		1 PLACE ± 0.2		DRAWING SIZE	THIRD ANGLE PROJECTION					
□ = 0	0 PLACES ± 0.5		DRAFT WHERE APPLICABLE MUST REMAIN WITHIN DIMENSIONS		D	PRODUCT CUSTOMER DRAWING SERIES: 34899 MATERIAL NUMBER: SEE BOM CUSTOMER: GENERAL MARKET				
■ = 0	DOCUMENT NUMBER: SD-34899-2001		DOC TYPE: PSD		DOC PART: 001		SHEET NUMBER: 10 OF 11			
▽ = 0										

KEYING OPTION A, 40-G CLIP SLOT, BLACK	34899-3060	2																		A	CONCEPT		EM-34899-3050
KEYING OPTION A, 40-G CLIP SLOT, YELLOW	34899-3050	2																		A	CONCEPT		EM-34899-3050
KEYING OPTION D, 11mm CLIP SLOT, STONE GRAY	34899-3123	2																		D	OK TO TOOL		EM-34899-3033
KEYING OPTION C, 11mm CLIP SLOT, DARK GRAY	34899-3122	2																		C	OK TO TOOL		EM-34899-3032
KEYING OPTION B, 11mm CLIP SLOT, LIGHT GRAY	34899-3121	2																		B	SALEABLE		EM-34899-3031
KEYING OPTION A, 11mm CLIP SLOT, BLACK	34899-3120	2																		A	SALEABLE		EM-34899-3030
KEYING OPTION D, 11mm CLIP SLOT, YELLOW	34899-3113	2																		D	OK TO TOOL		EM-34899-3033
KEYING OPTION C, 11mm CLIP SLOT, YELLOW	34899-3112	2																		C	OK TO TOOL		EM-34899-3032
KEYING OPTION B, 11mm CLIP SLOT, YELLOW	34899-3111	2																		B	SALEABLE		EM-34899-3031
KEYING OPTION A, 11mm CLIP SLOT, YELLOW	34899-3110	2																		A	SALEABLE		EM-34899-3030
KEYING OPTION D, 7mm CLIP SLOT, STONE GRAY	34899-3083	2																		D	OK TO TOOL		EM-34899-3073
KEYING OPTION C, 7mm CLIP SLOT, DARK GRAY	34899-3082	2																		C	OK TO TOOL		EM-34899-3072
KEYING OPTION B, 7mm CLIP SLOT, LIGHT GRAY	34899-3081	2																		B	SALEABLE		EM-34899-3071
KEYING OPTION A, 7mm CLIP SLOT, BLACK	34899-3080	2																		A	SALEABLE		EM-34899-3070
KEYING OPTION D, 7mm CLIP SLOT, YELLOW	34899-3073	2																		D	OK TO TOOL		EM-34899-3073
KEYING OPTION C, 7mm CLIP SLOT, YELLOW	34899-3072	2																		C	OK TO TOOL		EM-34899-3072
KEYING OPTION B, 7mm CLIP SLOT, YELLOW	34899-3071	2																		B	SALEABLE		EM-34899-3071
KEYING OPTION A, 7mm CLIP SLOT, YELLOW	34899-3070	2																		A	SALEABLE		EM-34899-3070
ASSEMBLY DESCRIPTION	ASSEMBLY PART NUMBER	WIRE DRESS COVER INTERFACE OPTION																			PRODUCTION TOOL STATUS	COMMENTS	MODEL NUMBER

1x3 BLADE SEALED ASSEMBLY BOM FOR WIRE DRESS COVER INTERFACE 2

REFER WIRE DRESS COVER INTERFACE SHEET FOR DETAILS

PLR		
DESCRIPTION	COLOR	MATERIAL
1x3 CONNECTOR HOUSING, KEYING OPTION A 40G CLIP SLOT	BLACK	SPS/NYLON GF20
1x3 CONNECTOR HOUSING, KEYING OPTION A 40G CLIP SLOT	YELLOW	SPS/NYLON GF20
1x3 CONNECTOR HOUSING, KEYING OPTION D 11mm CLIP SLOT	STONE GRAY	SPS/NYLON GF20
1x3 CONNECTOR HOUSING, KEYING OPTION C 11mm CLIP SLOT	DARK GRAY	SPS/NYLON GF20
1x3 CONNECTOR HOUSING, KEYING OPTION B 11mm CLIP SLOT	LIGHT GRAY	SPS/NYLON GF20
1x3 CONNECTOR HOUSING, KEYING OPTION A 11mm CLIP SLOT	BLACK	SPS/NYLON GF20
1x3 CONNECTOR HOUSING, KEYING OPTION D 11mm CLIP SLOT	YELLOW	SPS/NYLON GF20
1x3 CONNECTOR HOUSING, KEYING OPTION C 11mm CLIP SLOT	YELLOW	SPS/NYLON GF20
1x3 CONNECTOR HOUSING, KEYING OPTION B 11mm CLIP SLOT	YELLOW	SPS/NYLON GF20
1x3 CONNECTOR HOUSING, KEYING OPTION A 11mm CLIP SLOT	YELLOW	SPS/NYLON GF20
1x3 CONNECTOR HOUSING, KEYING OPTION D 7mm CLIP SLOT	STONE GRAY	SPS/NYLON GF20
1x3 CONNECTOR HOUSING, KEYING OPTION C 7mm CLIP SLOT	DARK GRAY	SPS/NYLON GF20
1x3 CONNECTOR HOUSING, KEYING OPTION B 7mm CLIP SLOT	LIGHT GRAY	SPS/NYLON GF20
1x3 CONNECTOR HOUSING, KEYING OPTION A 7mm CLIP SLOT	BLACK	SPS/NYLON GF20
1x3 CONNECTOR HOUSING, KEYING OPTION D 7mm CLIP SLOT	YELLOW	SPS/NYLON GF20
1x3 CONNECTOR HOUSING, KEYING OPTION C 7mm CLIP SLOT	YELLOW	SPS/NYLON GF20
1x3 CONNECTOR HOUSING, KEYING OPTION B 7mm CLIP SLOT	YELLOW	SPS/NYLON GF20
1x3 CONNECTOR HOUSING, KEYING OPTION A 7mm CLIP SLOT	YELLOW	SPS/NYLON GF20

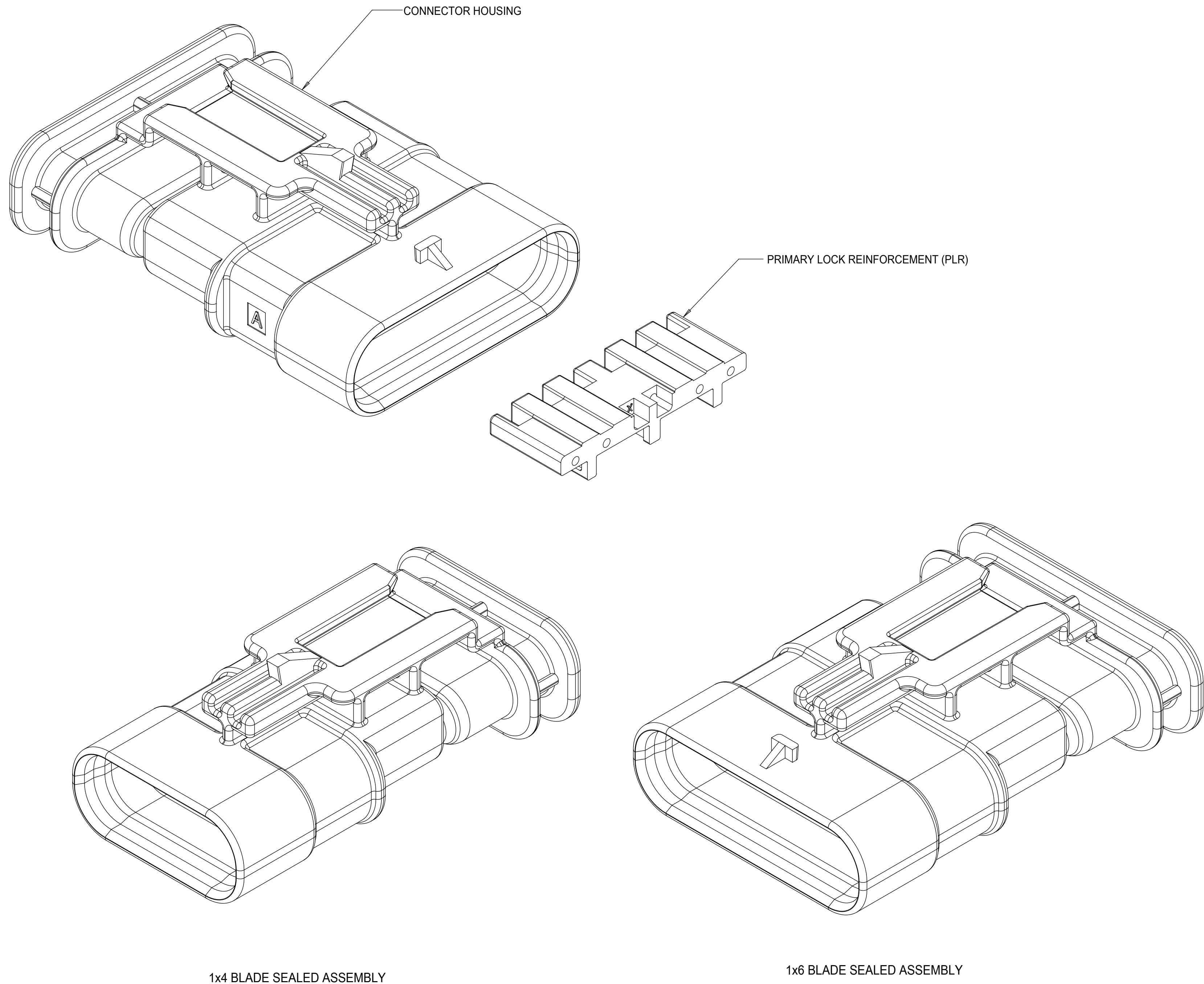
ABBREVIATION	COMPONENT
A	CONNECTOR HOUSING KEYING OPTION A
B	CONNECTOR HOUSING KEYING OPTION B
C	CONNECTOR HOUSING KEYING OPTION C
D	CONNECTOR HOUSING KEYING OPTION D

THIS DRAWING CONTAINS INFORMATION THAT IS PROPRIETARY TO MOLEX ELECTRONIC TECHNOLOGIES, LLC AND SHOULD NOT BE USED WITHOUT WRITTEN PERMISSION

QUALITY SYMBOLS 	DRWN: 2020/09/15 CHKD: 2020/09/15 REV: 2020/09/15	GENERAL TOLERANCES (UNLESS SPECIFIED)	DIMENSION UNITS: mm	SCALE:		
	DRWN: GELLIOTT01 CHKD: MVANSAMBROU REV: MVANSAMBROU	ANGULAR TOL ± 3.0 °	4 PLACES ± 3 PLACES ± 2 PLACES ± 0.1 1 PLACE ± 0.2 0 PLACES ± 0.5	SKRAJENDRANA		DATE: 2013/11/06
EC NO: 645203	DRAFT WHERE APPLICABLE MUST REMAIN WITHIN DIMENSIONS	DRAWING SIZE: D	THIRD ANGLE PROJECTION			<p>PRODUCT CUSTOMER DRAWING</p>
					SERIES: 34899	
					MATERIAL NUMBER: SEE BOM	
					CUSTOMER: GENERAL MARKET	
RELEASE STATUS: P1	RELEASE DATE: 2020/09/15	14:05:05			DOCUMENT NUMBER: SD-34899-2001	
					DOC TYPE: PSD	
					DOC PART: 001	
					SHEET NUMBER: 11 OF 11	

TABLE OF CONTENTS

SHEET NO.	SHEET DESCRIPTION
1	NOTES
2	1x4 BLADE SEALED ASSEMBLY KEYING CONFIGURATIONS
3	1x6 BLADE SEALED ASSEMBLY KEYING CONFIGURATIONS
4	CLIP-SLOT CONFIGURATIONS
5	BLADE SEALED ASSEMBLY
6	CONNECTION SYSTEM PACKAGING
7	WIRE DRESS COVER INTERFACE OPTIONS
8	1x4 BLADE SEALED ASSEMBLY BOM INTERFACE OPTION 1
9	1x4 BLADE SEALED ASSEMBLY BOM INTERFACE OPTION 2
10	1x6 BLADE SEALED ASSEMBLY BOM INTERFACE OPTION 1
11	1x6 BLADE SEALED ASSEMBLY BOM INTERFACE OPTION 2



NOTES: VALID UNLESS OTHERWISE SPECIFIED

1. GENERAL:
 - a. APPLICATION SPECIFICATION SEE: AS-34900-0001
CONTAINS: PRODUCT INTRODUCTION, PRODUCT SUMMARY, CONNECTOR ASSEMBLY, PACKAGING INFORMATION, CONNECTOR MATING, SERVICE INSTRUCTIONS, ELECTRICAL CONTINUITY CHECKING, CRIMPING, AND TROUBLESHOOTING.
 - b. PRODUCT SPECIFICATION SEE: PS-34900-0001
CONTAINS: PRODUCT INTRODUCTION, PRODUCT SUMMARY, RATINGS (CURRENT, TEMPERATURE, SEALING, AND FLAMMABILITY), AND PRODUCT VALIDATION.
 - c. PACKAGING SPECIFICATION PER MOLEX DRAWING: PK-31301-898
 - d. PARTS MUST BE IN COMPLIANCE TO MOLEX CHEMICAL SUBSTANCES FOR PRODUCTS AND PACKAGING SPECIFICATION: QEHS-699000-301
 - e. DATA MUST BE SUBMITTED UNDER THE MOLEX PART NUMBER TO IMDS (COMPANY ID#13255)
2. DESIGN - MATERIALS:
 - a. SEE BOM TABLE
3. DESIGN - GEOMETRY:
 - a. THIS IS A 100% CAD GENERATED PART. THE CAD MATHEMATICAL DATA IS THE MASTER FOR THIS PART. FOR DIMENSIONAL OR ANY INFORMATION NOT SHOWN ON THIS DRAWING, ANALYZE THE CAD MODEL.
 - b. GEOMETRIC DIMENSIONS AND TOLERANCES PER ASME Y14.5M - 1994
 - c. EDGES AND UNDIMENSIONED DETAILS PER ISO13715
 - d. CORNERS SHOWN AS SHARP TO BE R 0.2 MAX.
 - e. LETTERING SHALL BE 0.15 MAX RAISED IN 0.25 MAX RECESS PAD. THIS INCLUDES RECYCLING CODE, CAVITY ID, VENDOR IDENTIFICATION, AND CUSTOMER MATERIAL NUMBER.
 - f. VISUAL DEFECTS SHALL MEET COSMETIC STANDARD PS-45499-002 (Class B) CAD MODEL.
 - g. LASER MARKING:
 1. PART NUMBER
 2. DAY OF THE YEAR
 3. SHIFT
 4. YEAR

INSPECTION BALLOON NUMBER LOG

PER DRAWING REVISION: B12

LAST BALLOON NUMBER USED: WDC2-10

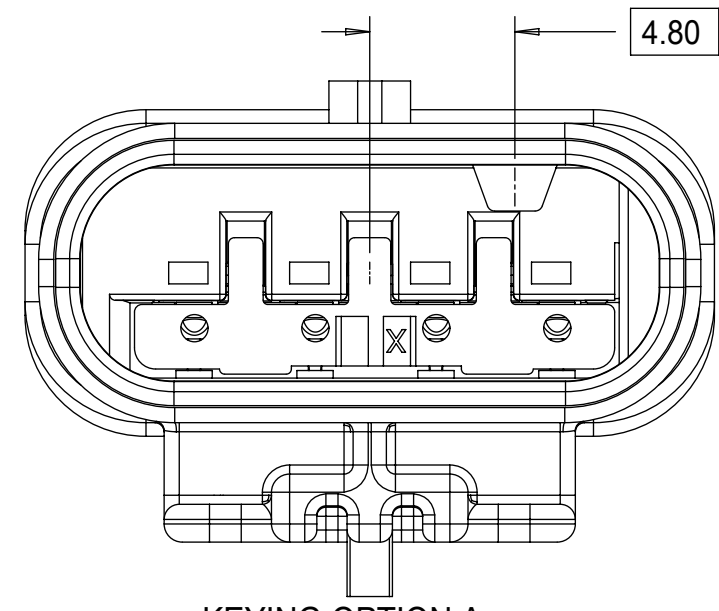
ADDED BALLON NUMBERS: WDC2-1 - WDC2-10

REMOVED BALLON NUMBERS:

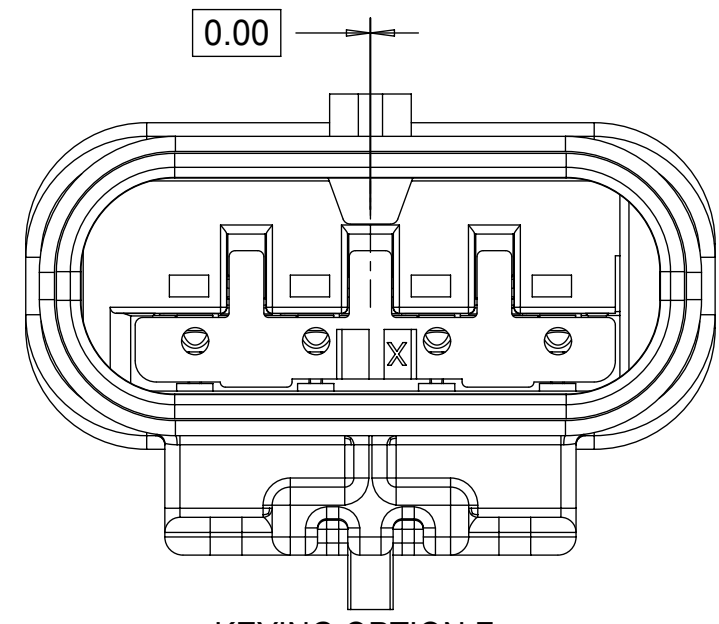
B17	ADDED NOTE ON SHARKFIN PRESENCE
B16	NX-REMASTERING FROM MODEL MANAGER CHANGED PN STATUSES TO OBSOLETE
B15	UPDATED BALLOONS 2-1 & 2-2 ON SHEET 7
B14	UPDATED PARTS TO SALEABLE
B13	RELEASED PRIMARY KEYS NON-SIR SALEABLE
B12	UPDATED PLR LOCK UP GEOMETRY
B11	UPDATED WDC INTERFACE PART# TO TOOLED BUT NOT VALIDATED
B10	UPDATED TOLERANCES WDC FEATURES
B9	1X4, 1X6 PART # WIRE DRESS COVER INTERFACE FEATURES OK TO TOOL
B8	1X4 40G CLIP-SLOT OK TO TOOL
B7	1X4 PART # UPDATED TO "TOOLED BUT NOT VALIDATED"
B6	ADDED 40G CLIP-SLOT PART NUMBERS
B5	BOM CORRECTIONS AND UPDATES
B4	BOM CORRECTIONS AND UPDATES
B3	1x4, 1x6 NON-SIR PART# OK TO TOOL
B2	1x6 11mm CLIP SLOT PART # OK TO TOOL
B1	1x6 11mm CLIP SLOT PART NUMBERS ADDED
B	ADDED 1x4 INFORMATION
A	OK TO TOOL

QUALITY SYMBOLS □ = 0 ▽ = 0 ▽ = 0 ▽ = 0 ▽ = 0 ▽ = 0 ▽ = 0 ▽ = 0 ▽ = 0 ▽ = 0	THIS DRAWING CONTAINS INFORMATION THAT IS PROPRIETARY TO MOLEX ELECTRONIC TECHNOLOGIES, LLC AND SHOULD NOT BE USED WITHOUT WRITTEN PERMISSION		REV DESCRIPTION		
	EC NO: 645203 DRWN: GELIOTT01 CHKD: MVANSLAMBROU APPR: MVANSLAMBROU	2020/09/11 2020/09/15 2020/09/15	GENERAL TOLERANCES (UNLESS SPECIFIED) ANGULAR TOL ± 3.0 ° 4 PLACES ± 3 PLACES ± 2 PLACES ± 0.1 1 PLACE ± 0.2 0 PLACES ± 0.5	DIMENSION UNITS: mm SCALE: 4:1 DRWN BY: MVANSLAMBROU DATE: 2012/07/13 CHKD BY: VKOSHY DATE: 2012/07/19 APPR BY: VKOSHY DATE: 2012/07/24	MOLEX 1.2MM 1X4, 1X6 BLADE SEALED ASSEMBLY CABLE SEAL 639764 - REMOVED CPA3 AND REPLACED WITH CPA2 AGAIN 64 PRODUCT CUSTOMER DRAWING
	B17	D	DRAFT WHERE APPLICABLE MUST REMAIN WITHIN DIMENSIONS	THIRD ANGLE PROJECTION	SERIES: 34899 MATERIAL NUMBER: SEE BOM CUSTOMER: GENERAL MARKET
	RELEASE STATUS: P1 RELEASE DATE: 2020/09/15 14:05:24	DOCUMENT NUMBER: SD-34899-6001 DOC TYPE: PSD DOC PART: 001 SHEET NUMBER: 1 OF 11			

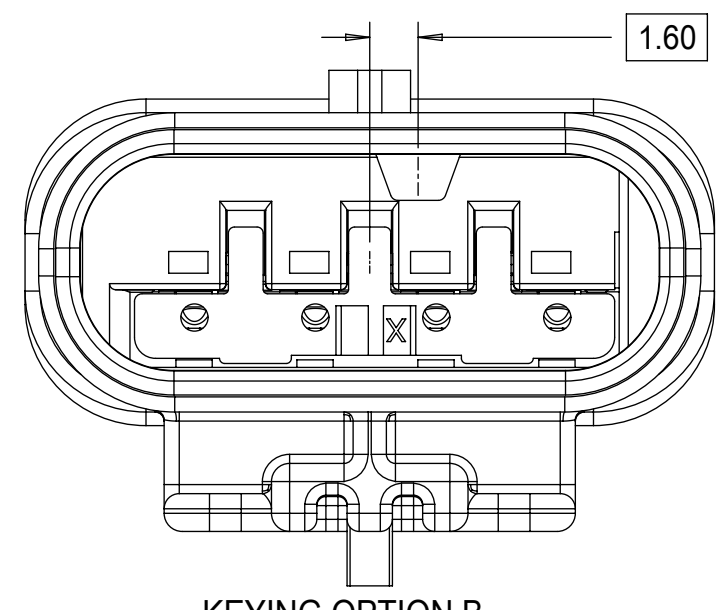
1x4 BLADE SEALED ASSEMBLY KEYING CONFIGURATIONS. FOR PART NUMBERS REFER TO BOM SHEET.



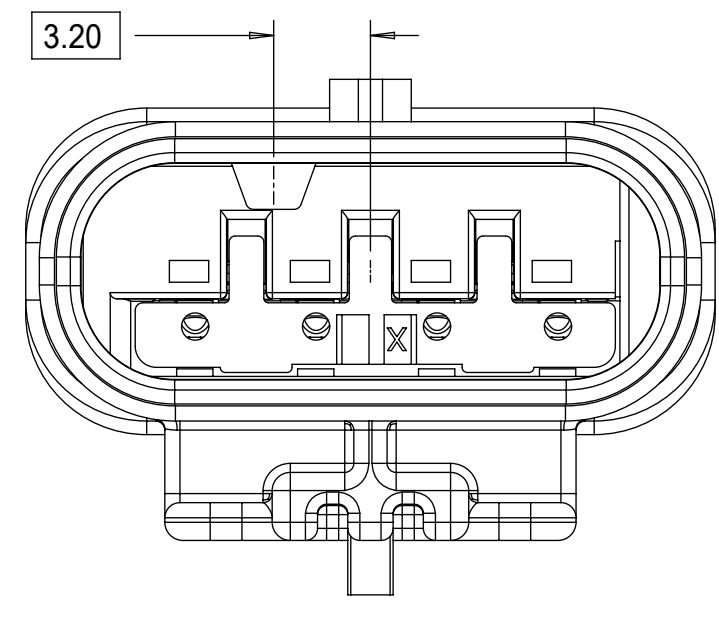
KEYING OPTION A



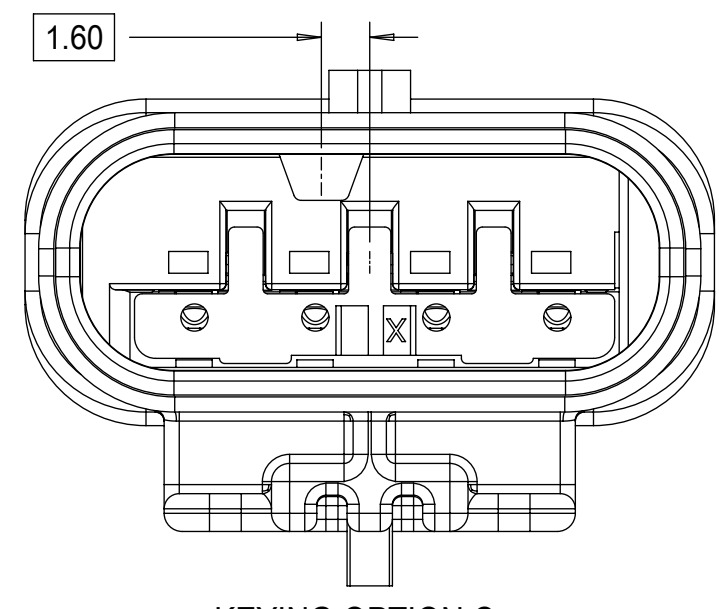
KEYING OPTION F



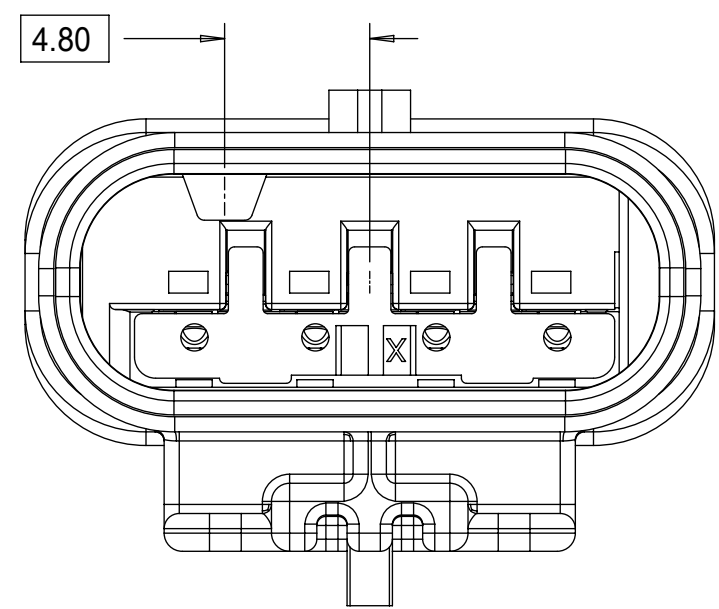
KEYING OPTION B



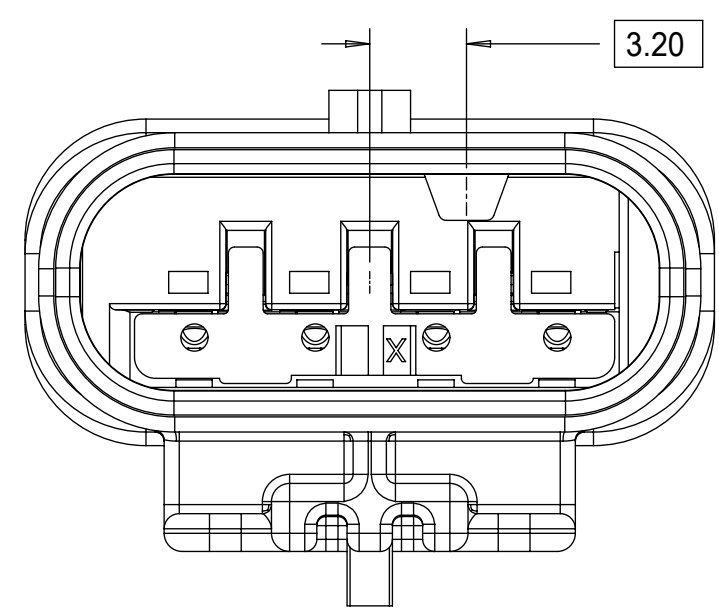
KEYING OPTION G



KEYING OPTION C



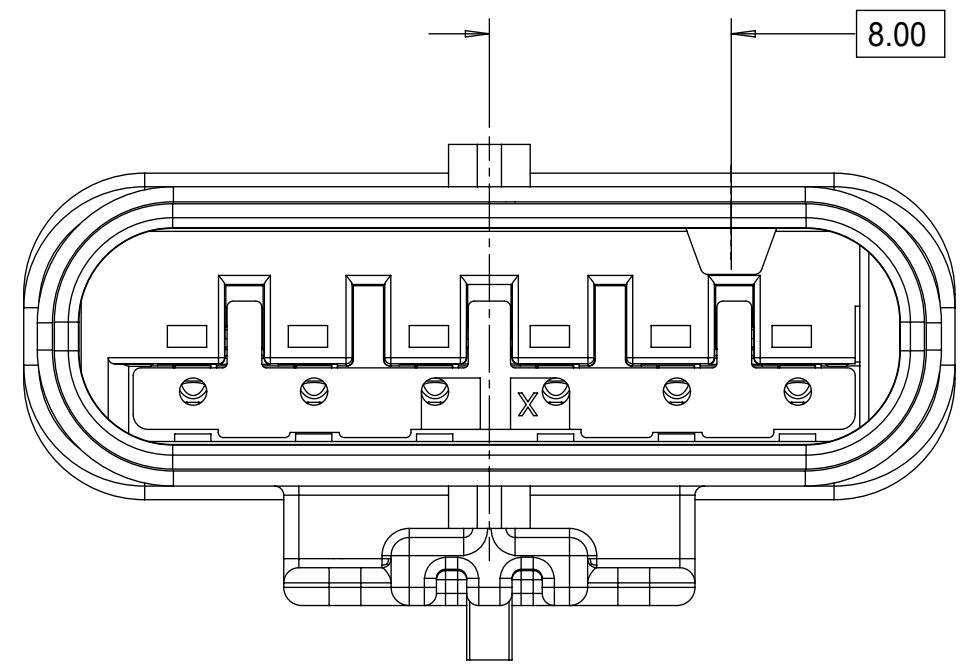
KEYING OPTION D



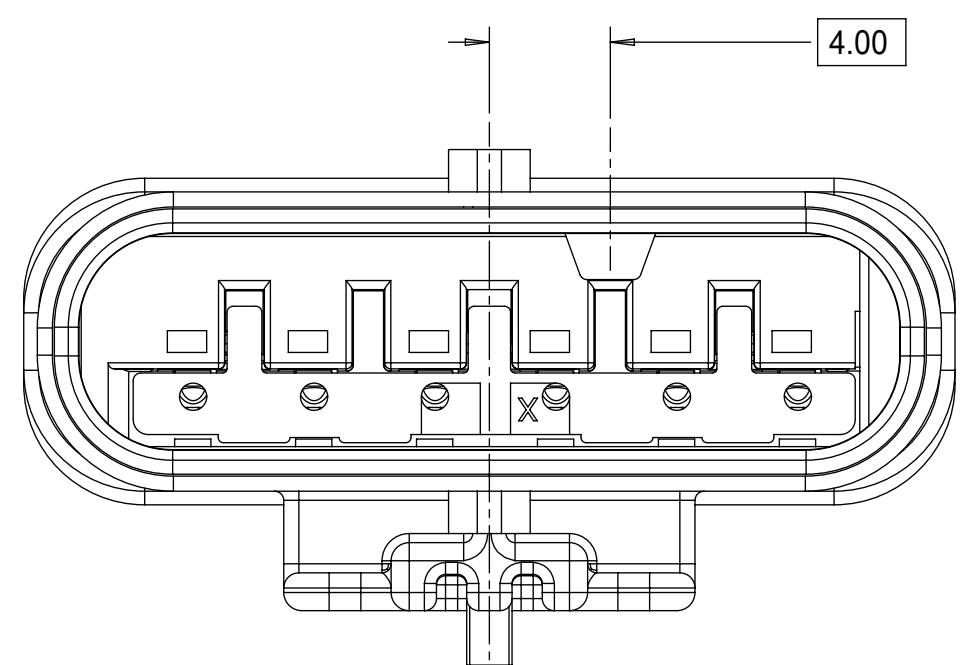
KEYING OPTION E

QUALITY SYMBOLS □ = 0 ▽ = 0 ▽ = 0 ▽ = 0 ▽ = 0 ▽ = 0 ▽ = 0 ▽ = 0 ▽ = 0 ▽ = 0 ▽ = 0	THIS DRAWING CONTAINS INFORMATION THAT IS PROPRIETARY TO MOLEX ELECTRONIC TECHNOLOGIES, LLC AND SHOULD NOT BE USED WITHOUT WRITTEN PERMISSION									
	2020/09/11	GENERAL TOLERANCES (UNLESS SPECIFIED)			DIMENSION UNITS	SCALE				
	2020/09/15	ANGULAR TOL ± 3.0 °			mm	4:1				
	2020/09/15	4 PLACES ±	DRWN BY			DATE	1.2MM 1X4, 1X6 BLADE SEALED ASSEMBLY CABLE SEAL 639764 - REMOVED CPA3 AND REPLACED WITH CPA2 AGAIN 64			
		3 PLACES ±	MVANSLAMBROU			2012/07/13				
		2 PLACES ± 0.1	CHKD BY			DATE	PRODUCT CUSTOMER DRAWING			
		1 PLACE ± 0.2	VKOSHY			2012/07/19				
		0 PLACES ± 0.5	APPR BY			DATE	SERIES MATERIAL NUMBER CUSTOMER 34899 SEE BOM GENERAL MARKET			
		DRAFT WHERE APPLICABLE MUST REMAIN WITHIN DIMENSIONS	VKOSHY			2012/07/24				
			DRAWING SIZE	THIRD ANGLE PROJECTION			DOCUMENT NUMBER DOC TYPE DOC PART SHEET NUMBER SD-34899-6001 PSD 001 2 OF 11			
		D								

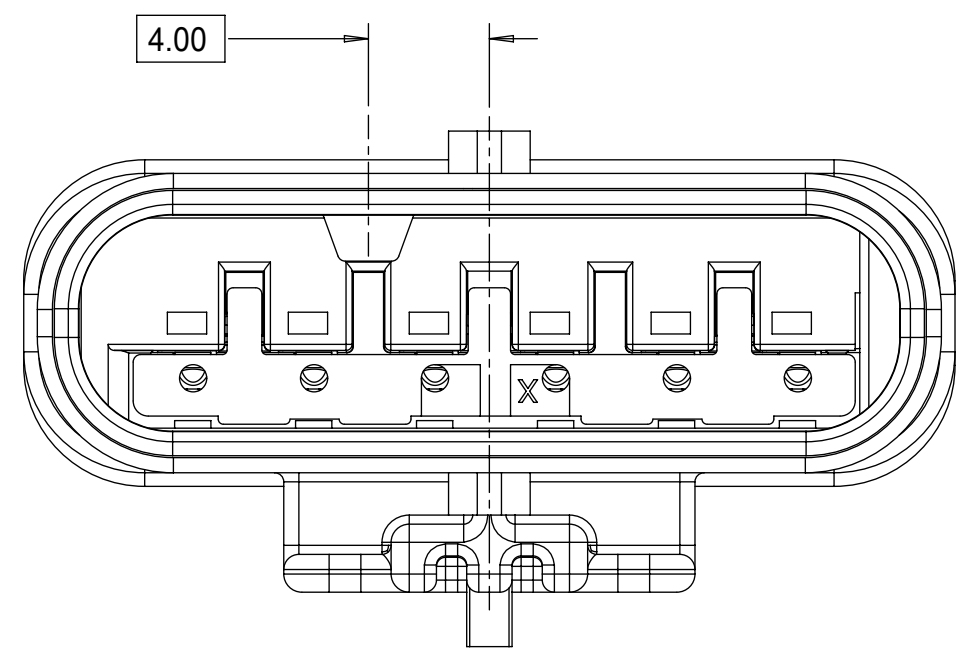
1x6 BLADE SEALED ASSEMBLY KEYING CONFIGURATIONS. FOR PART NUMBERS REFER TO BOM SHEET.



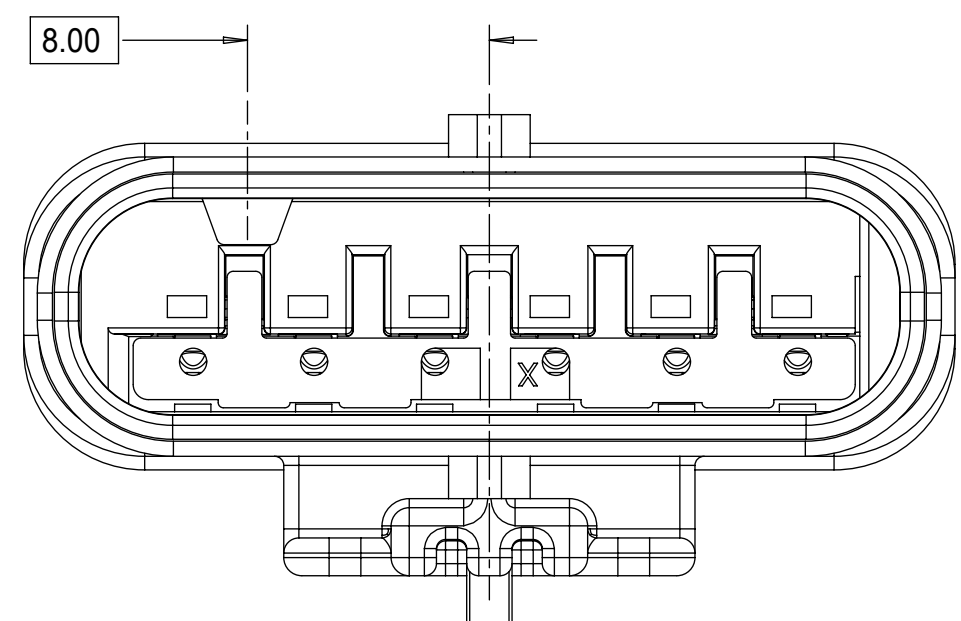
KEYING OPTION A



KEYING OPTION B



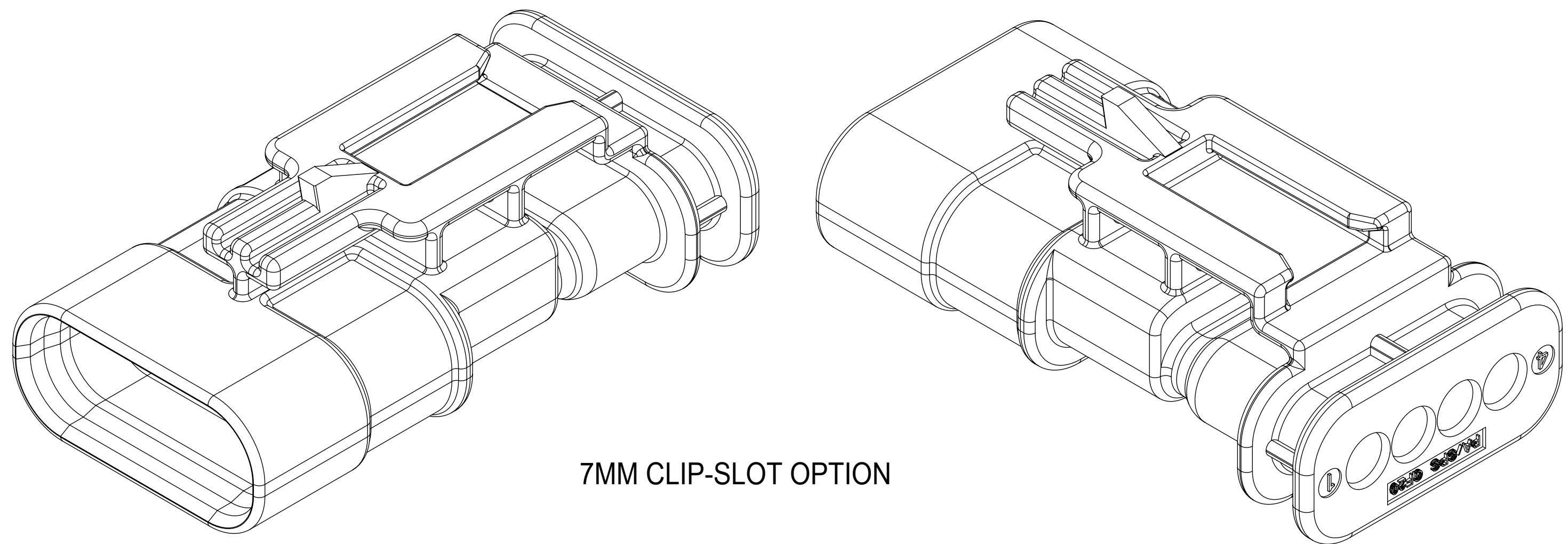
KEYING OPTION C



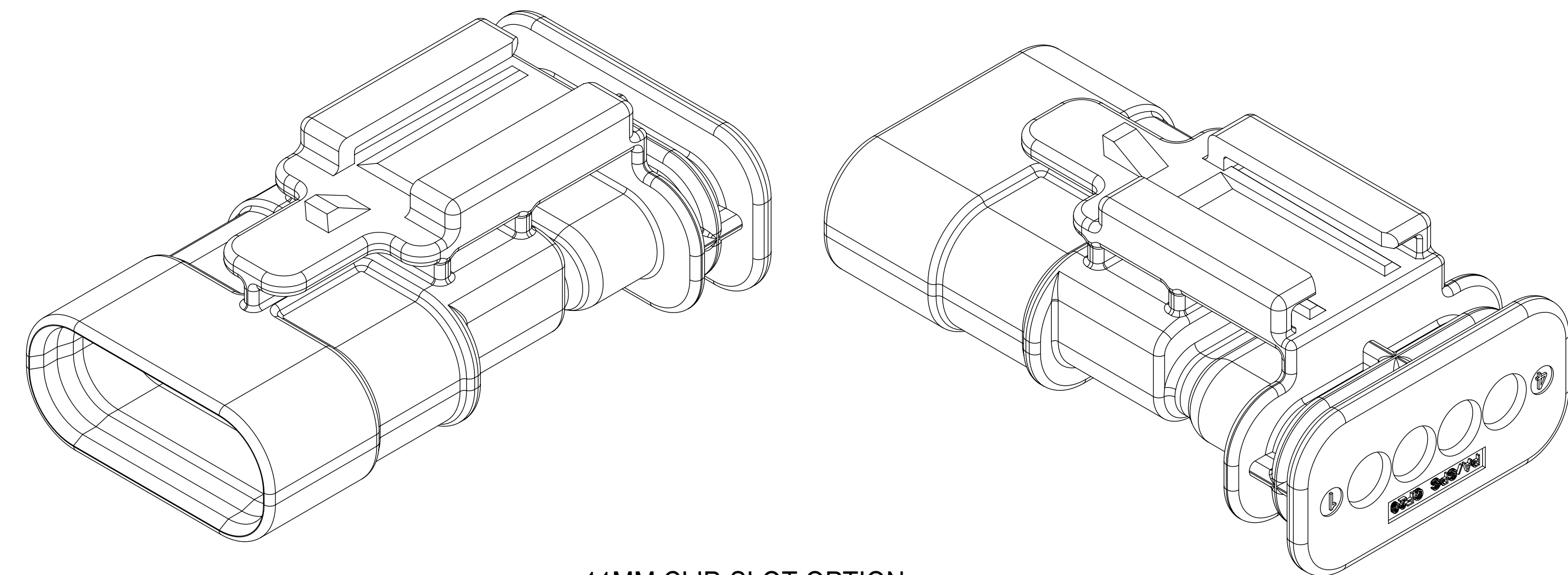
KEYING OPTION D

QUALITY SYMBOLS □ = 0 ▽ = 0 ▽ = 0 ▽ = 0 ▽ = 0 ▽ = 0 ▽ = 0 ▽ = 0 ▽ = 0 ▽ = 0 ▽ = 0		THIS DRAWING CONTAINS INFORMATION THAT IS PROPRIETARY TO MOLEX ELECTRONIC TECHNOLOGIES, LLC AND SHOULD NOT BE USED WITHOUT WRITTEN PERMISSION		GENERAL TOLERANCES (UNLESS SPECIFIED) ANGULAR TOL ± 3.0 °		DIMENSION UNITS: mm SCALE: 4:1		DRWN BY: MVANSLAMBROU DATE: 2012/07/13		CHKD BY: VKOSHY DATE: 2012/07/19		APPR BY: VKOSHY DATE: 2012/07/24		PRODUCT CUSTOMER DRAWING	
EC NO: 645203 DRWN: GELLIOTTO1 CHKD: MVANSLAMBROU REV: APPR: MVANSLAMBROU		2020/09/11 2020/09/15 2020/09/15		4 PLACES ± 3 PLACES ± 2 PLACES ± 0.1 1 PLACE ± 0.2 0 PLACES ± 0.5		DRAWING SIZE: D THIRD ANGLE PROJECTION		SERIES: 34899 MATERIAL NUMBER: SEE BOM CUSTOMER: GENERAL MARKET		DOCUMENT NUMBER: SD-34899-6001 DOC TYPE: PSD DOC PART: 001 SHEET NUMBER: 3 OF 11		B17		DRAFT WHERE APPLICABLE MUST REMAIN WITHIN DIMENSIONS	

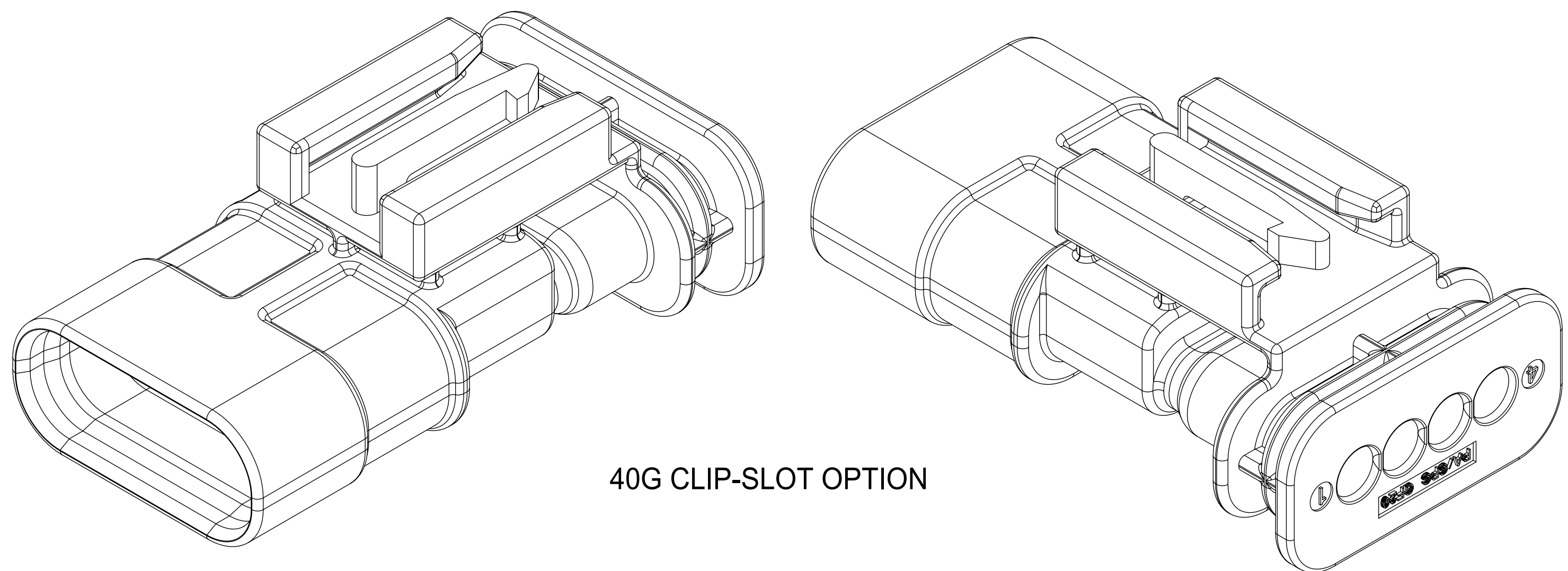
CLIP-SLOT CONFIGURATIONS. FOR PART NUMBERS REFER TO BOM SHEET.



7MM CLIP-SLOT OPTION



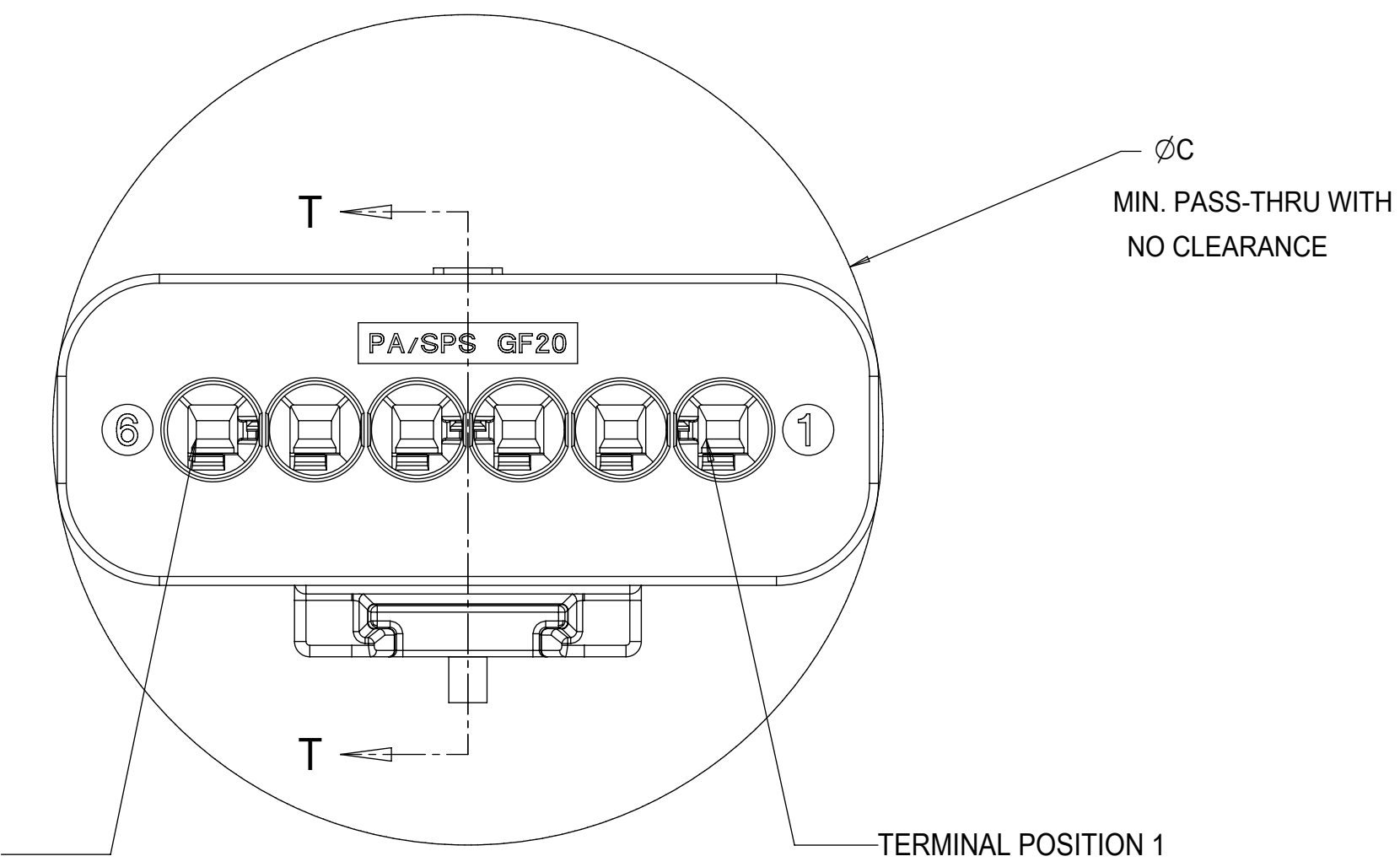
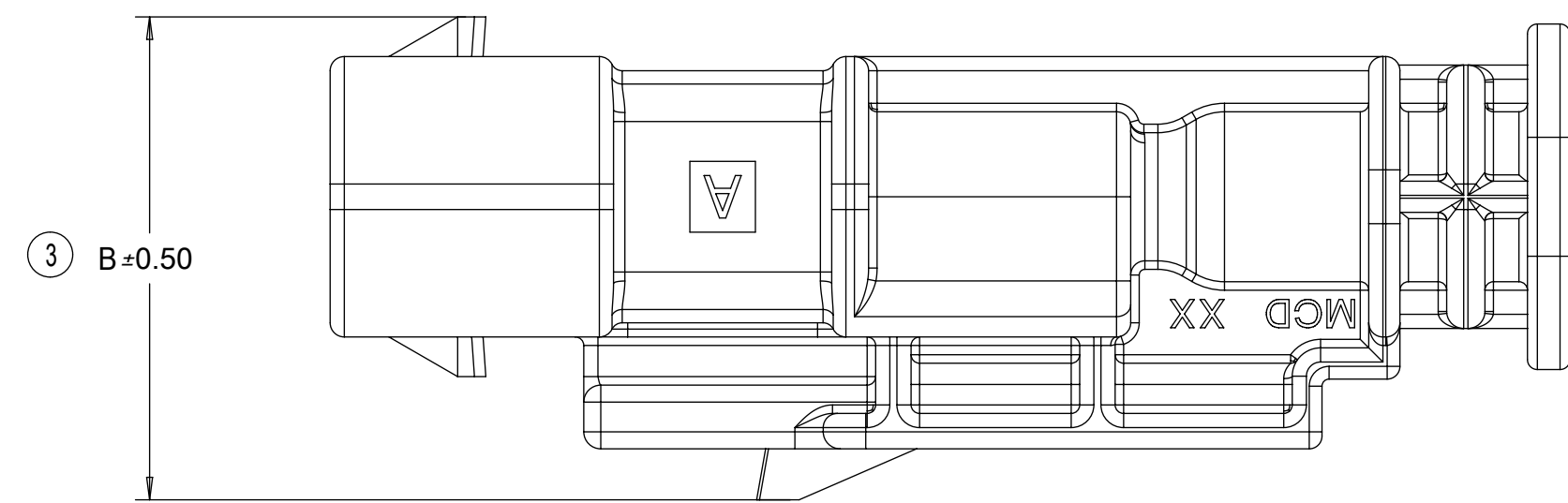
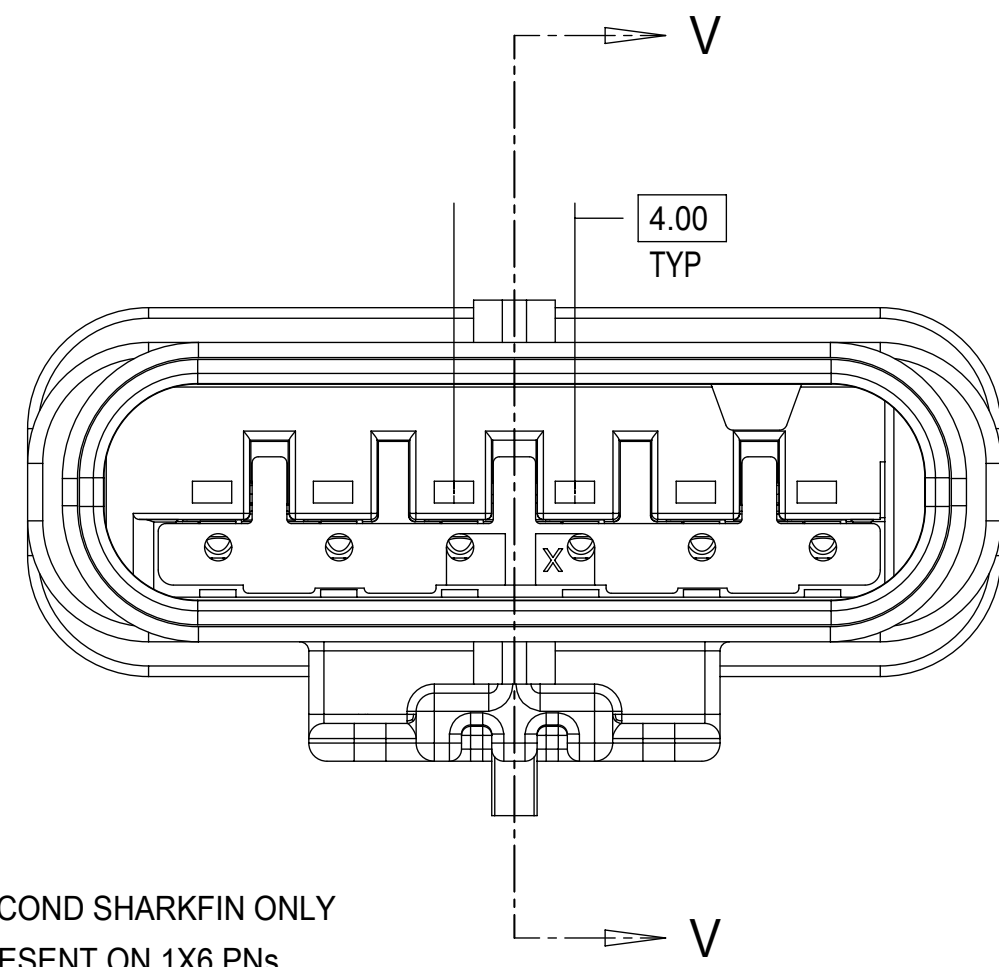
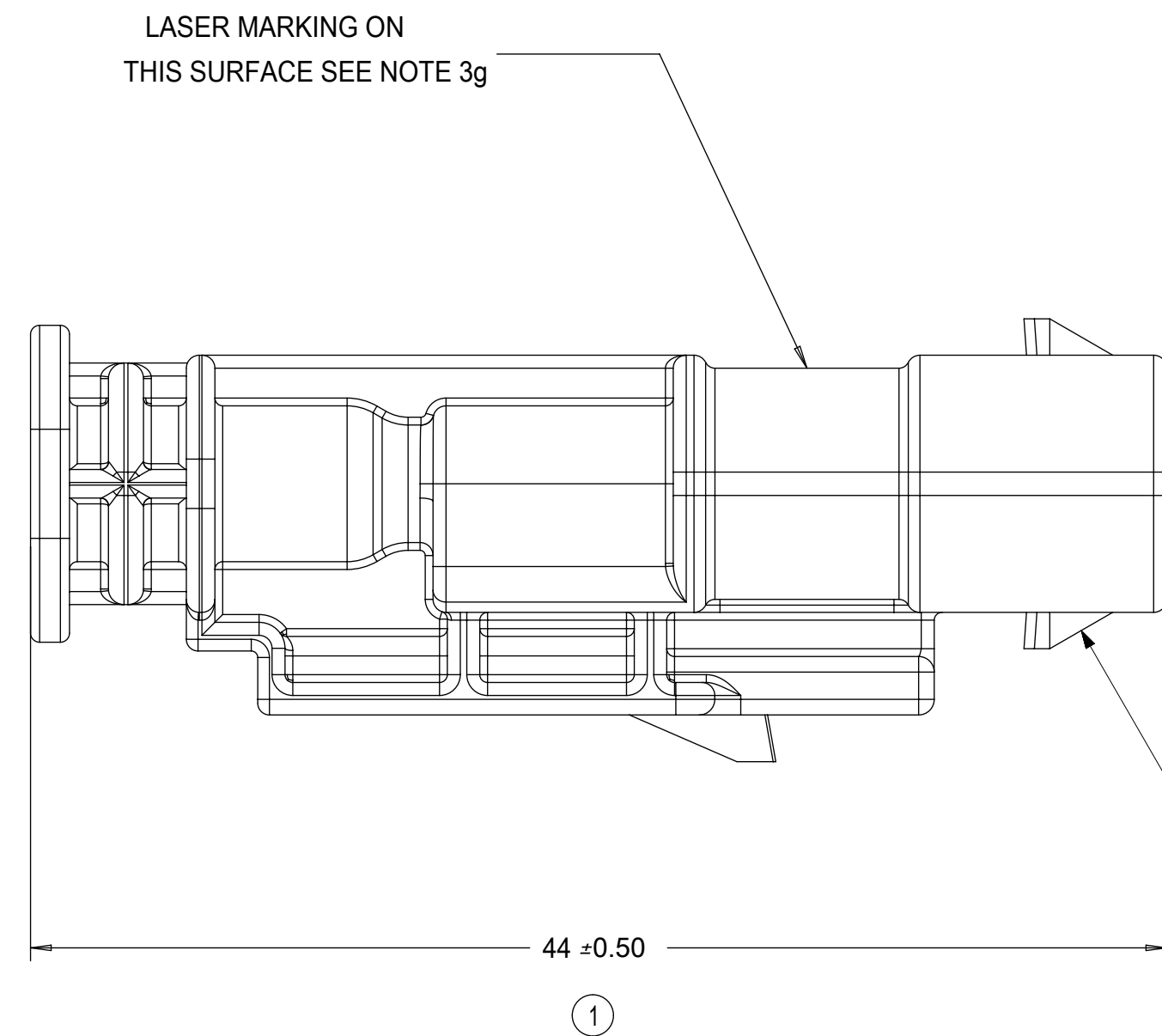
11MM CLIP-SLOT OPTION



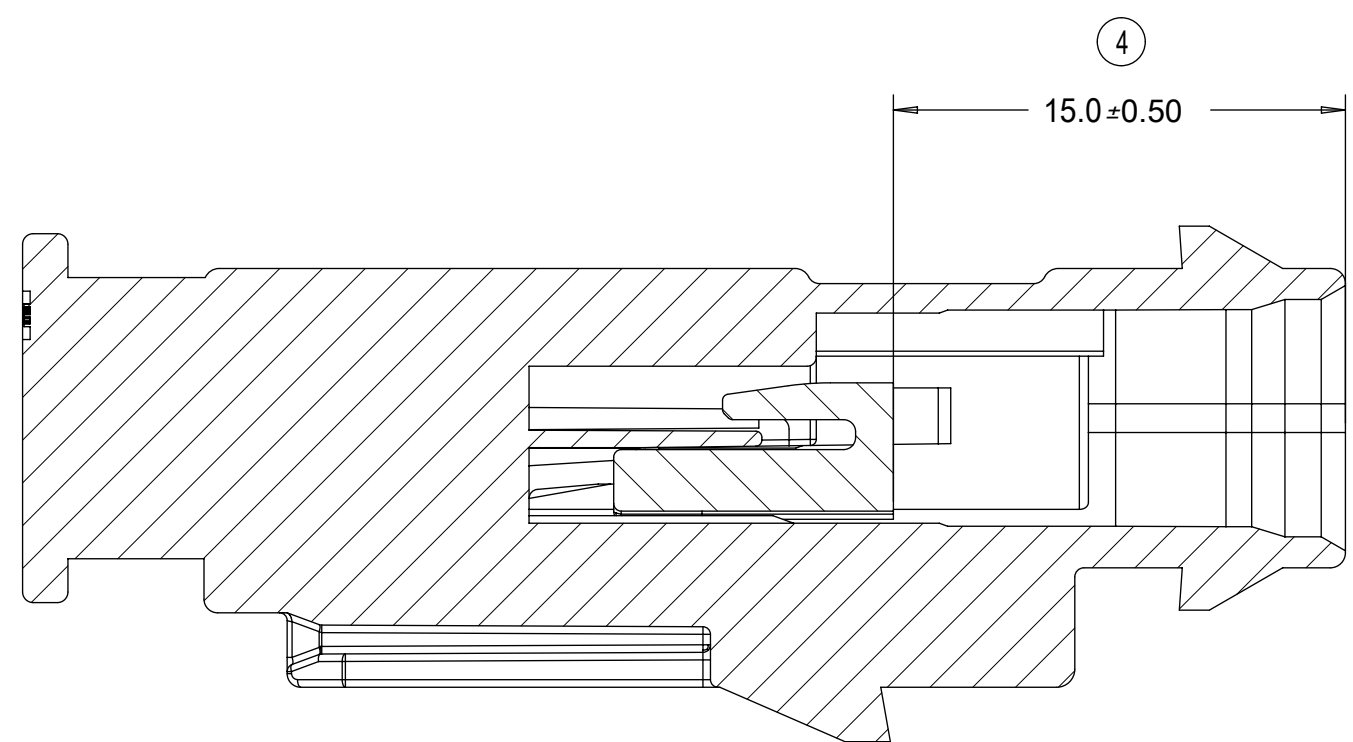
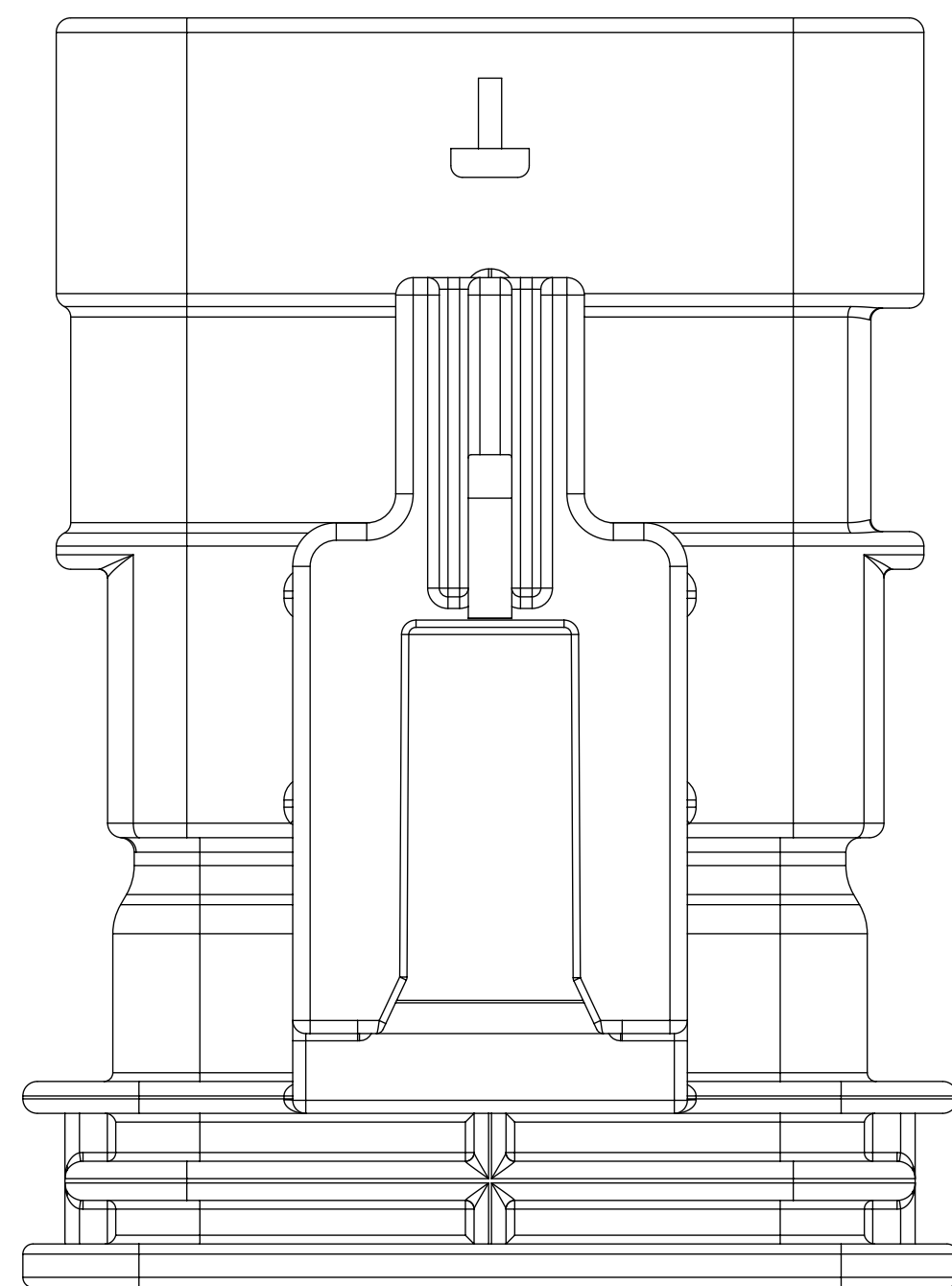
40G CLIP-SLOT OPTION

THIS DRAWING CONTAINS INFORMATION THAT IS PROPRIETARY TO MOLEX ELECTRONIC TECHNOLOGIES, LLC AND SHOULD NOT BE USED WITHOUT WRITTEN PERMISSION											
QUALITY SYMBOLS □ = 0 ▽ = 0 ▽ = 0 ▽ = 0 ▽ = 0 ▽ = 0 ▽ = 0 ▽ = 0 ▽ = 0 ▽ = 0 ▽ = 0	2020/09/11	GENERAL TOLERANCES (UNLESS SPECIFIED)		DIMENSION UNITS	SCALE						
	DRWN: GELIOTT01	ANGULAR TOL ± 3.0 °		mm	4:1						
	2020/09/15	4 PLACES ±		DRWN BY	DATE	1.2MM 1X4, 1X6 BLADE SEALED ASSEMBLY CABLE SEAL 639764 - REMOVED CPA3 AND REPLACED WITH CPA2 AGAIN 64					
	CHKD: MVANSLAMBROU	3 PLACES ±		MVANSLAMBROU	2012/07/13						
	2020/09/15	2 PLACES ± 0.1		CHKD BY	DATE	PRODUCT CUSTOMER DRAWING					
	REVISION: MVANSLAMBROU	1 PLACE ± 0.2		VKOSHY	2012/07/19						
		0 PLACES ± 0.5		APPR BY	DATE	SERIES: 34899 MATERIAL NUMBER: SEE BOM CUSTOMER: GENERAL MARKET					
		DRAFT WHERE APPLICABLE MUST REMAIN WITHIN DIMENSIONS		VKOSHY	2012/07/24						
				DRAWING SIZE	THIRD ANGLE PROJECTION	DOCUMENT NUMBER: SD-34899-6001 DOC TYPE: PSD DOC PART: 001 SHEET NUMBER: 4 OF 11					
				D							

BLADE SEALED ASSEMBLY

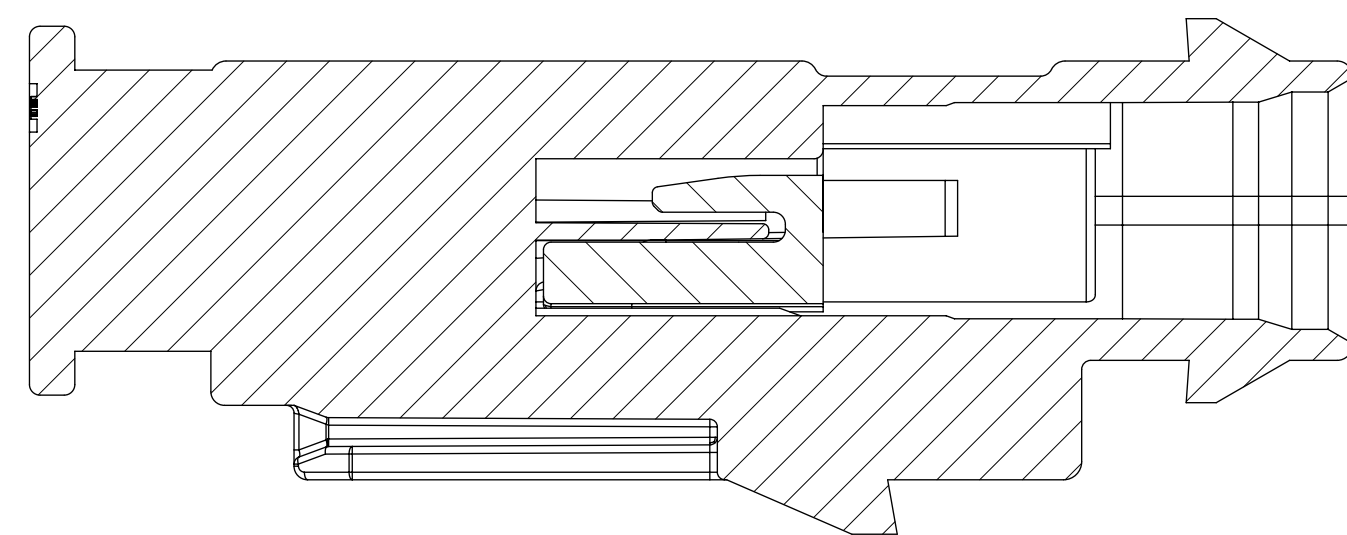


SECOND SHARKFIN ONLY PRESENT ON 1X6 PNs



SECTION V-V

PRIMARY LOCK REINFORCEMENT (PLR) SHOWN IN THE PRE-STAGED POSITION



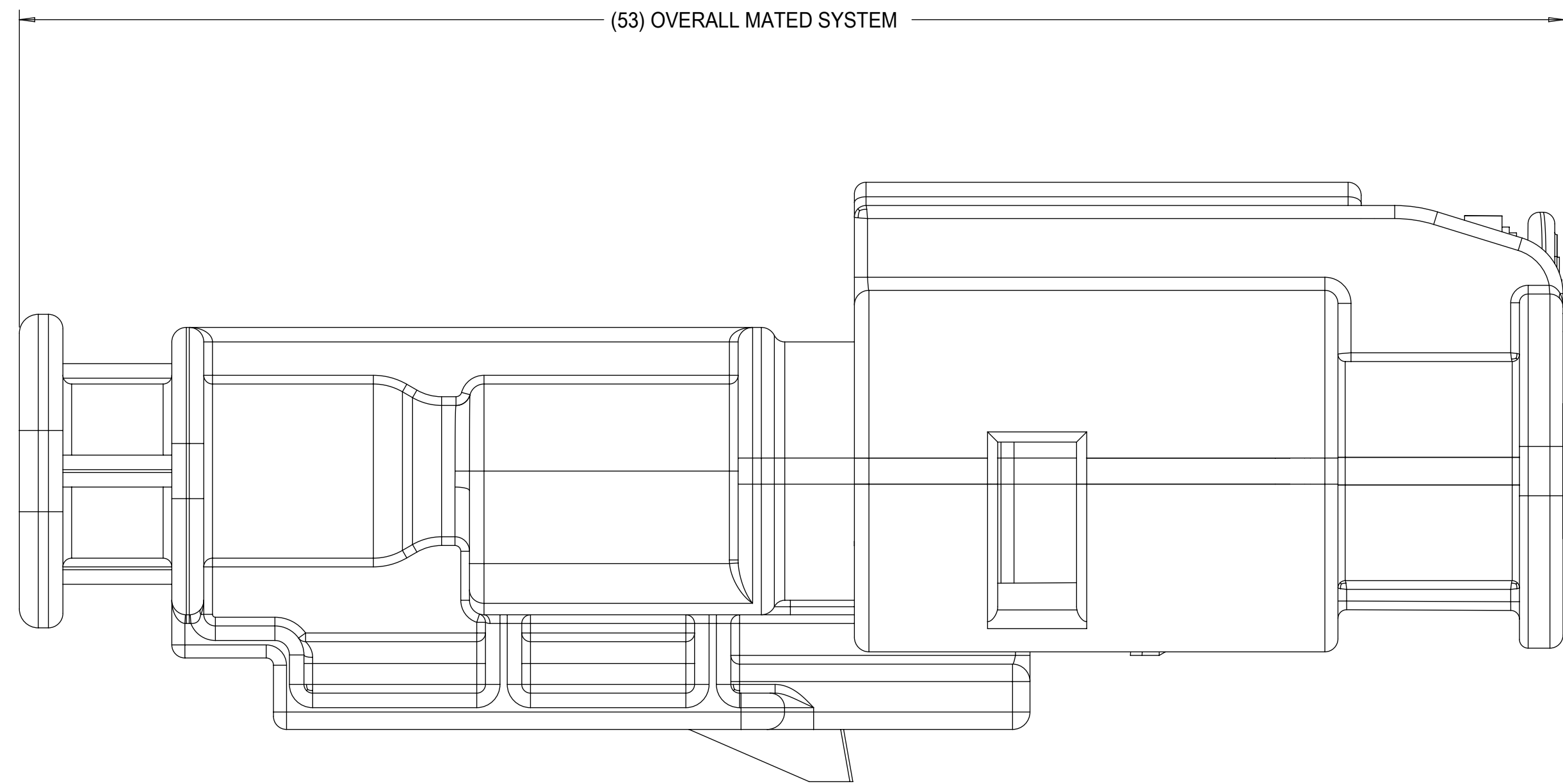
SECTION T-T

PRIMARY LOCK REINFORCEMENT (PLR) SHOWN IN THE FINAL-LOCK POSITION

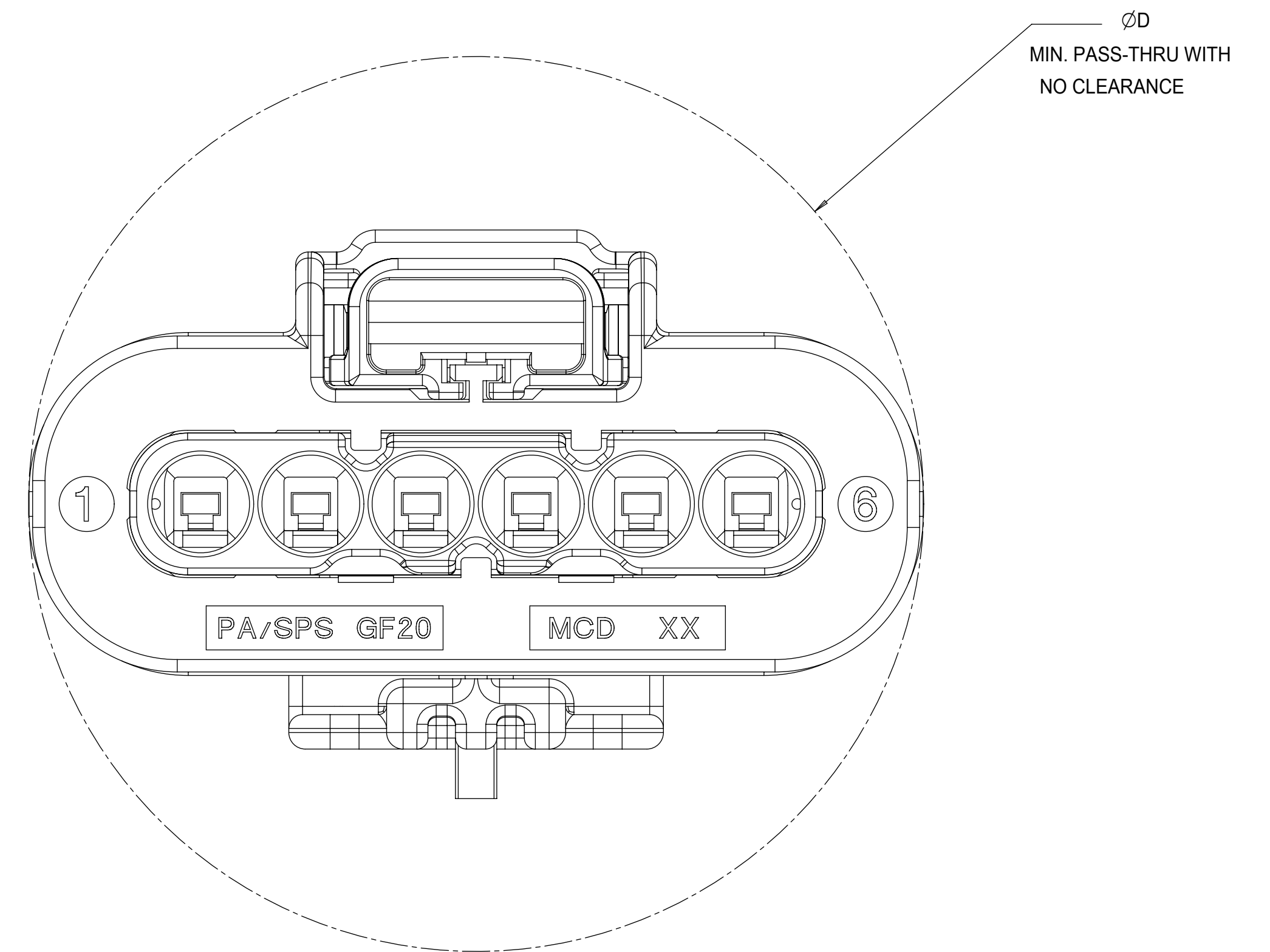
1x6 BLADE SEALED ASSEMBLY, 40G CLIP SLOT	17.5	32.75
1x6 BLADE SEALED ASSEMBLY, 11mm CLIP SLOT	16	32.75
1x6 BLADE SEALED ASSEMBLY, 7mm CLIP SLOT	17.25	32.75
1x4 BLADE SEALED ASSEMBLY, 40G CLIP SLOT	17.5	25.25
1x4 BLADE SEALED ASSEMBLY, 11mm CLIP SLOT	16	24.75
1x4 BLADE SEALED ASSEMBLY, 7mm CLIP SLOT	17.25	24.75
CONFIGURATION	B	C
CHARTED DIMENSIONS		

QUALITY SYMBOLS	THIS DRAWING CONTAINS INFORMATION THAT IS PROPRIETARY TO MOLEX ELECTRONIC TECHNOLOGIES, LLC AND SHOULD NOT BE USED WITHOUT WRITTEN PERMISSION			
▽ = 0	DRWN BY: GELIOTTO1	GENERAL TOLERANCES (UNLESS SPECIFIED)	DIMENSION UNITS: mm	SCALE: 4:1
▽ = 0	2020/09/11	ANGULAR TOL ± 3.0 °	DRWN BY: MVANSLAMBROU	DATE: 2012/07/13
▽ = 0	2020/09/15	4 PLACES ±	CHKD BY: VKOSHY	DATE: 2012/07/19
▽ = 0	2020/09/15	3 PLACES ±	APPR BY: VKOSHY	DATE: 2012/07/24
▽ = 0	EC NO: 645203	2 PLACES ± 0.1	DRAWING SIZE: D	THIRD ANGLE PROJECTION
▽ = 0	DRWN: GELIOTTO1	1 PLACE ± 0.2	DRAFT WHERE APPLICABLE MUST REMAIN WITHIN DIMENSIONS	
▽ = 0	CHKD: MVANSLAMBROU	0 PLACES ± 0.5	SERIES: 34899	
▽ = 0	REV: MVANSLAMBROU		MATERIAL NUMBER: SEE BOM	
▽ = 0			CUSTOMER: GENERAL MARKET	
▽ = 0			DOCUMENT NUMBER: SD-34899-6001	
▽ = 0			DOC TYPE: PSD	
▽ = 0			DOC PART: 001	
▽ = 0			SHEET NUMBER: 5 OF 11	

CONNECTION SYSTEM PACKAGING

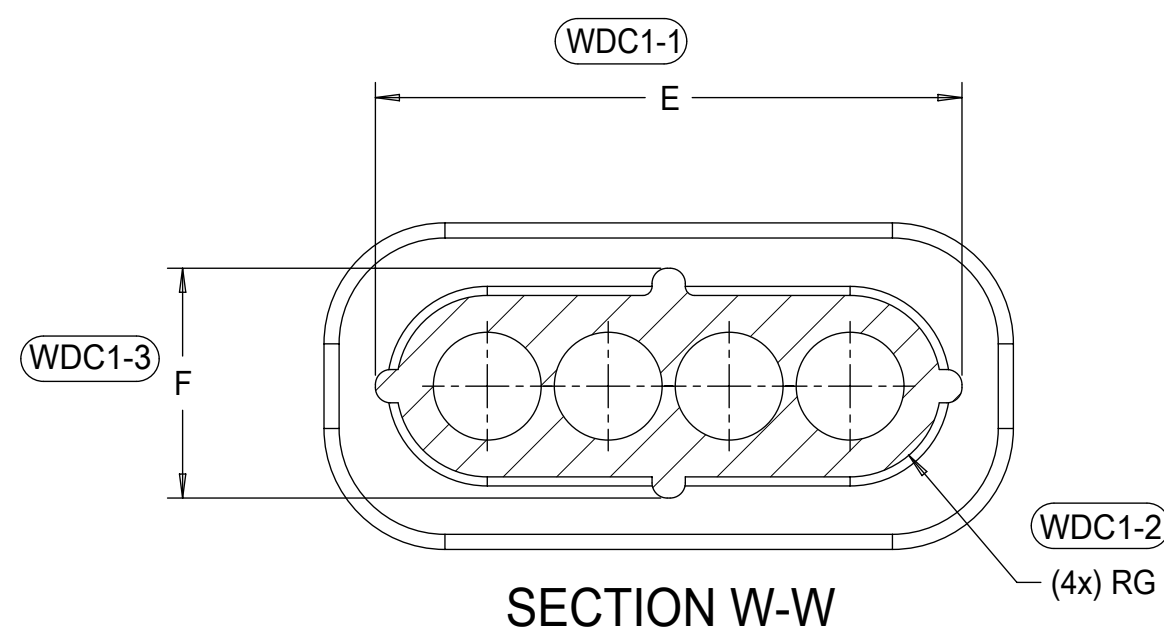


MODEL USED "AM-120-S-006-1-Z01"

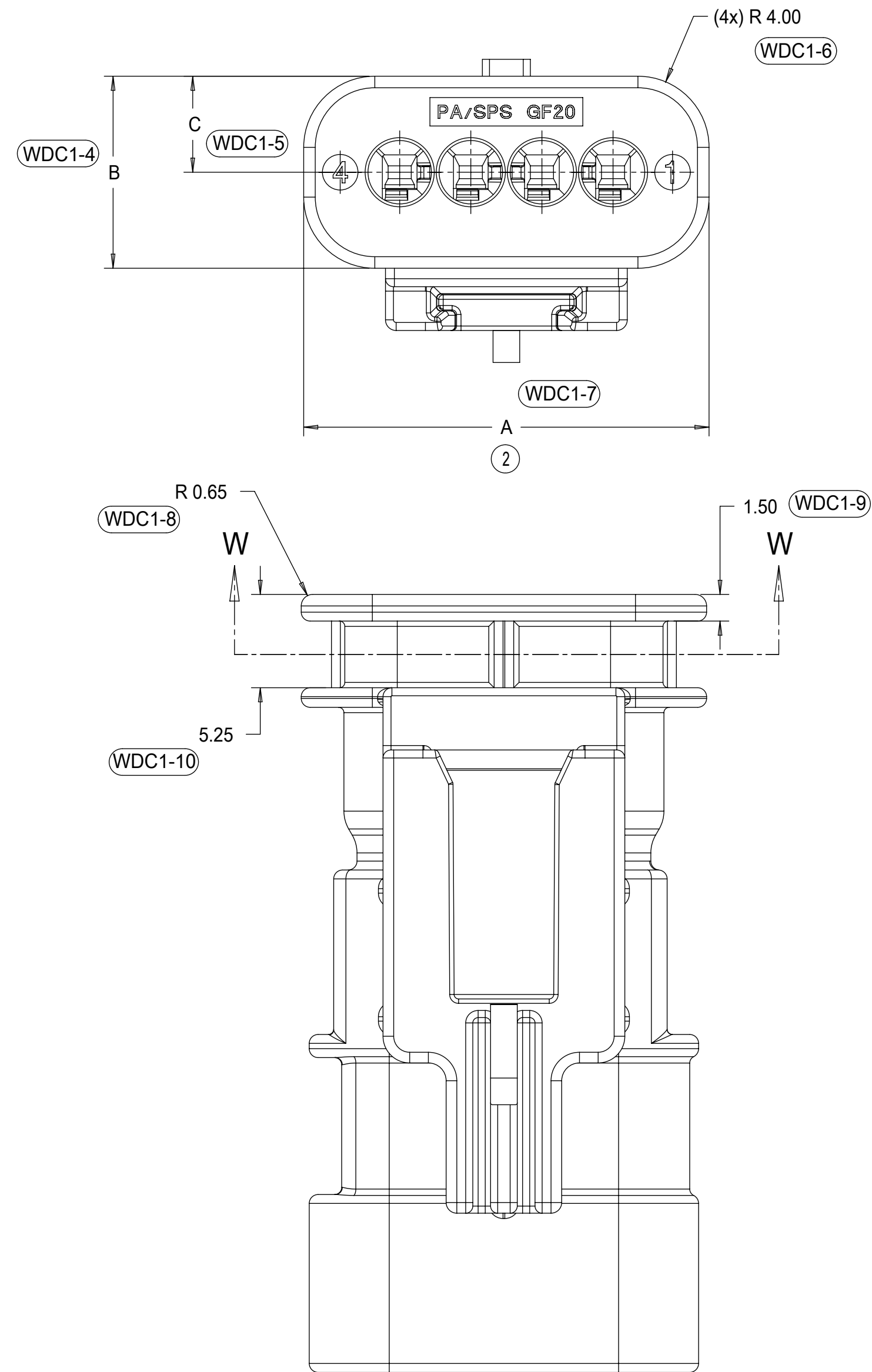


1x6 RECEPTACLE MATED TO 1x6 BLADE, 40 CLIP SLOT	TBD
1x6 RECEPTACLE MATED TO 1x6 BLADE, 11mm CLIP SLOT	33.5
1x6 RECEPTACLE MATED TO 1x6 BLADE, 7mm CLIP SLOT	33.5
1x4 RECEPTACLE MATED TO 1x4 BLADE, 40G CLIP SLOT	25.50
1x4 RECEPTACLE MATED TO 1x4 BLADE, 11mm CLIP SLOT	25.50
1x4 RECEPTACLE MATED TO 1x4 BLADE, 7mm CLIP SLOT	25.50
1.2mm CONNECTION SYSTEM CONFIGURATION	D
CHARTED DIMENSIONS	

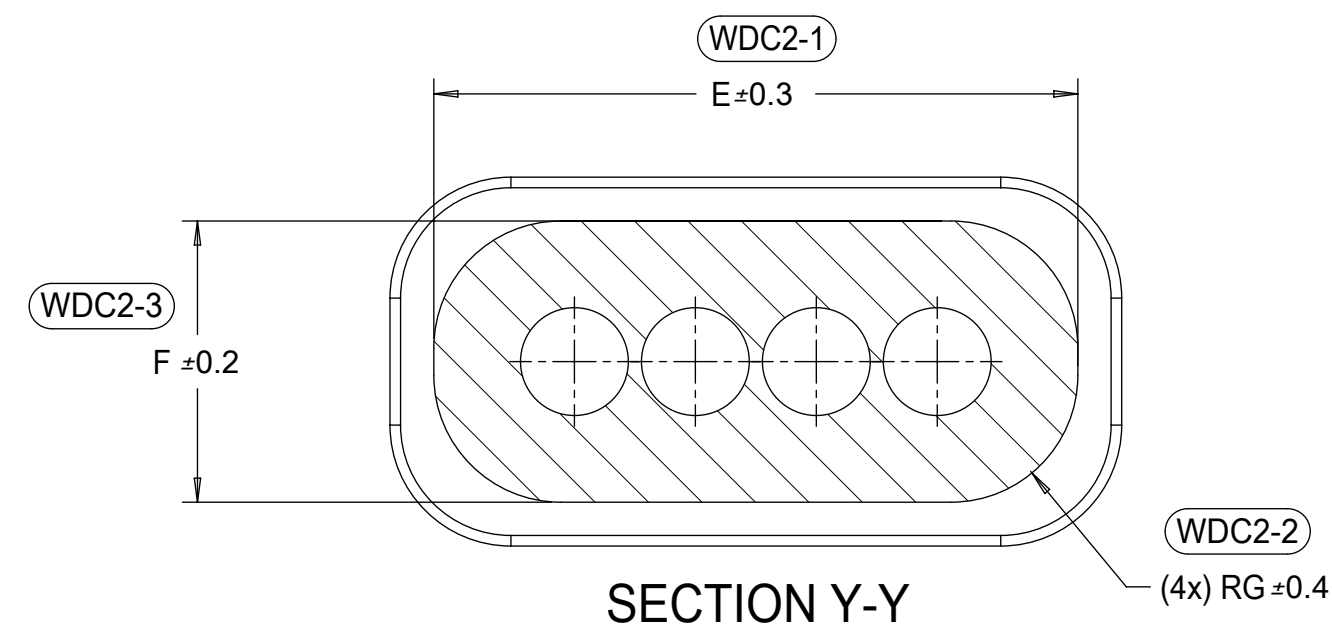
QUALITY SYMBOLS	THIS DRAWING CONTAINS INFORMATION THAT IS PROPRIETARY TO MOLEX ELECTRONIC TECHNOLOGIES, LLC AND SHOULD NOT BE USED WITHOUT WRITTEN PERMISSION			
▽ = 0	EC NO: 645203 DRWN: GELIOTT01 CHKD: MVANSLAMBROU REV: APPR: MVANSLAMBROU	2020/09/11	2020/09/15	2020/09/15
▽ = 0		GENERAL TOLERANCES (UNLESS SPECIFIED)	DIMENSION UNITS	SCALE
▽ = 0		mm	6:1	
▽ = 0		ANGULAR TOL ± 3.0 °	DRWN BY	DATE
▽ = 0		4 PLACES ±	MVANSLAMBROU	2012/07/13
▽ = 0		3 PLACES ±	CHKD BY	DATE
▽ = 0		2 PLACES ± 0.1	VKOSHY	2012/07/19
▽ = 0		1 PLACE ± 0.2	APPR BY	DATE
▽ = 0		0 PLACES ± 0.5	VKOSHY	2012/07/24
▽ = 0		DRAFT WHERE APPLICABLE MUST REMAIN WITHIN DIMENSIONS	DRAWING SIZE	THIRD ANGLE PROJECTION
▽ = 0			D	
	molex		1.2MM 1X4, 1X6 BLADE SEALED ASSEMBLY CABLE SEAL 639764 - REMOVED CPA3 AND REPLACED WITH CPA2 AGAIN 64	
	PRODUCT CUSTOMER DRAWING			
	SERIES	MATERIAL NUMBER	CUSTOMER	
	34899	SEE BOM	GENERAL MARKET	
	DOCUMENT NUMBER	DOC TYPE	DOC PART	SHEET NUMBER
	SD-34899-6001	PSD	001	6 OF 11



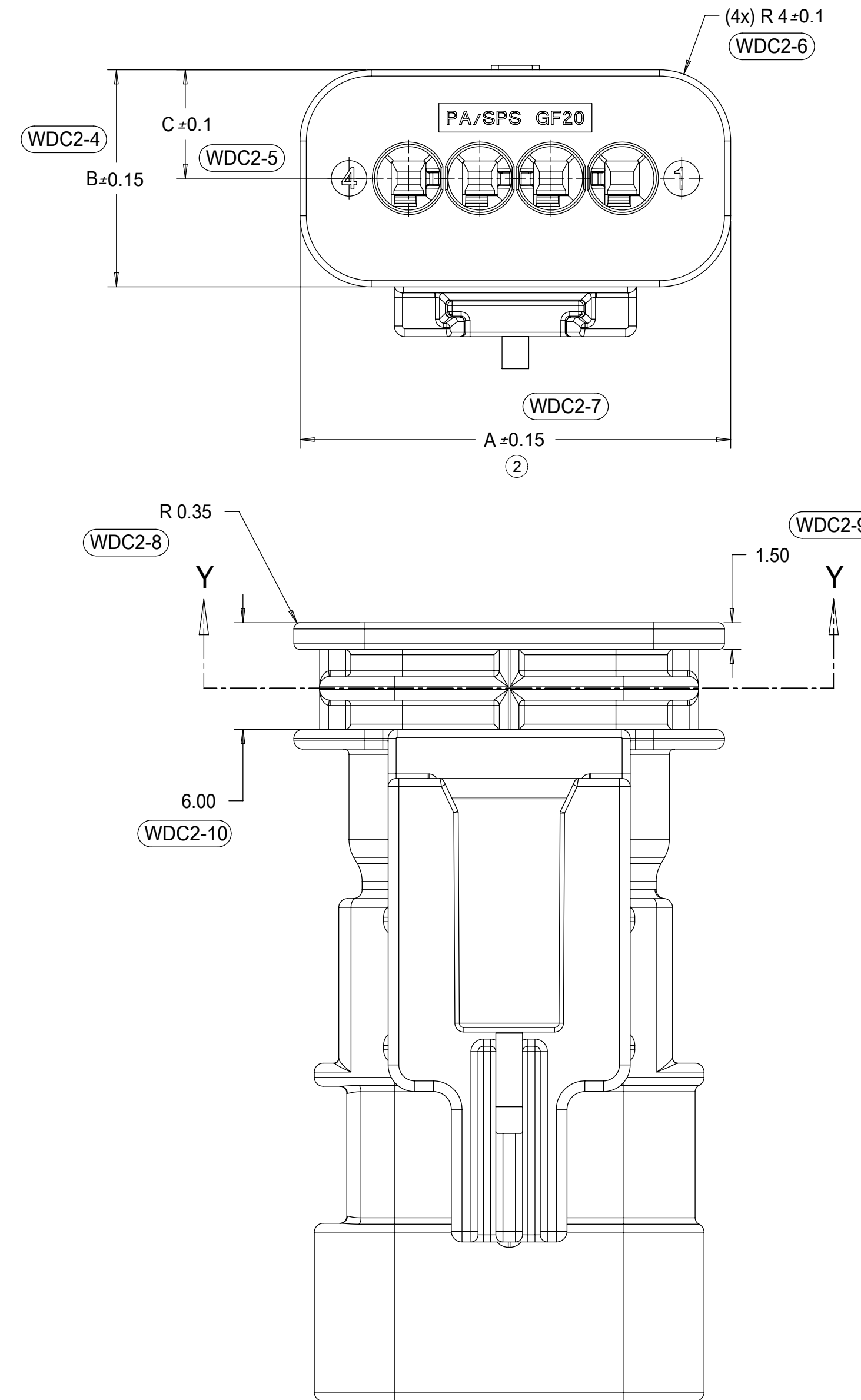
6 CIRCUIT	30.8	10.8	5.4	27.4	7.6	3.0
4 CIRCUIT	22.8	10.8	5.4	19.4	7.6	3.0
CONFIGURATION	A	B	C	E	F	G
CHARTED DIMENSIONS						



WIRE DRESS COVER
INTERFACE OPTION 1
WIRE DRESS COVERS
NOT AVAILABLE



6 CIRCUIT	32.2	12.2	6.1	29.3	9.3	4.2
4 CIRCUIT	24.2	12.2	6.1	21.3	9.3	4.2
CONFIGURATION	A	B	C	E	F	G
CHARTED DIMENSIONS						



WIRE DRESS COVER
INTERFACE OPTION 2
BASED ON HIRSCHMANN INTERFACE
DRAWING 808-012-xxx REV B5

QUALITY SYMBOLS 	THIS DRAWING CONTAINS INFORMATION THAT IS PROPRIETARY TO MOLEX ELECTRONIC TECHNOLOGIES, LLC AND SHOULD NOT BE USED WITHOUT WRITTEN PERMISSION		GENERAL TOLERANCES (UNLESS SPECIFIED) DIMENSION UNITS: mm SCALE: 4:1 ANGULAR TOL ± 3.0 °		
	EC NO: 645203 DRWN: GELLIOTT01 CHKD: MVANSLAMBROU REV: APPR: MVANSLAMBROU	2020/09/11 2020/09/15 2020/09/15	4 PLACES ± 3 PLACES ± 2 PLACES ± 0.1 1 PLACE ± 0.2 0 PLACES ± 0.5	DRWN BY: MVANSLAMBROU DATE: 2012/07/13 CHKD BY: VKOSHY DATE: 2012/07/19 APPR BY: VKOSHY DATE: 2012/07/24	
B17	DRAFT WHERE APPLICABLE MUST REMAIN WITHIN DIMENSIONS	D D THIRD ANGLE PROJECTION	DOCUMENT NUMBER: SD-34899-6001 DOC TYPE: PSD DOC PART: 001 SHEET NUMBER: 7 OF 11		


1x4 BLADE SEALED ASSEMBLY BOM
FOR WIRE DRESS COVER INTERFACE 2
REFER WIRE DRESS INTERFACE SHEET
FOR DETAILS

KEYING OPTION A, 40G CLIP SLOT, BLACK	34899-4060																							A	TOOLED BUT NOT VALIDATED	
KEYING OPTION A, 40G CLIP SLOT, YELLOW	34899-4050																								A	TOOLED BUT NOT VALIDATED
KEYING OPTION G, 7mm CLIP SLOT, LIGHT GRAY	34899-4086																							G	SALEABLE	
KEYING OPTION F, 7mm CLIP SLOT, BLACK	34899-4085																							F	SALEABLE	
KEYING OPTION E, 7mm CLIP SLOT, DARK GRAY	34899-4084																							E	SALEABLE	
KEYING OPTION D, 7mm CLIP SLOT, LIGHT GRAY	34899-4083																							D	SALEABLE	
KEYING OPTION C, 7mm CLIP SLOT, DARK GRAY	34899-4082																							C	SALEABLE	
KEYING OPTION B, 7mm CLIP SLOT, STONE GRAY	34899-4081																							B	SALEABLE	
KEYING OPTION A, 7mm CLIP SLOT, BLACK	34899-4080																							A	SALEABLE	
KEYING OPTION G, 7mm CLIP SLOT, YELLOW	34899-4076																							G	SALEABLE	
KEYING OPTION F, 7mm CLIP SLOT, YELLOW	34899-4075																							F	SALEABLE	
KEYING OPTION E, 7mm CLIP SLOT, YELLOW	34899-4074																							E	SALEABLE	
KEYING OPTION D, 7mm CLIP SLOT, YELLOW	34899-4073																							D	SALEABLE	
KEYING OPTION C, 7mm CLIP SLOT, YELLOW	34899-4072																							C	SALEABLE	
KEYING OPTION B, 7mm CLIP SLOT, YELLOW	34899-4071																							B	SALEABLE	
KEYING OPTION A, 7mm CLIP SLOT, YELLOW	34899-4070																							A	SALEABLE	
ASSEMBLY DESCRIPTION	ASSEMBLY PART NUMBER																								PRODUCTION TOOL STATUS	COMMENTS

PLR	NATURAL	SPS/NYLON GF20
1x4 CONNECTOR HOUSING, KEYING OPTION A 40G CLIP SLOT	BLACK	SPS/NYLON GF20
1x4 CONNECTOR HOUSING, KEYING OPTION A 40G CLIP SLOT	YELLOW	SPS/NYLON GF20
1x4 CONNECTOR HOUSING, KEYING OPTION G 7mm CLIP SLOT	LIGHT GRAY	SPS/NYLON GF20
1x4 CONNECTOR HOUSING, KEYING OPTION F 7mm CLIP SLOT	BLACK	SPS/NYLON GF20
1x4 CONNECTOR HOUSING, KEYING OPTION E 7mm CLIP SLOT	DARK GRAY	SPS/NYLON GF20
1x4 CONNECTOR HOUSING, KEYING OPTION D 7mm CLIP SLOT	LIGHT GRAY	SPS/NYLON GF20
1x4 CONNECTOR HOUSING, KEYING OPTION C 7mm CLIP SLOT	DARK GRAY	SPS/NYLON GF20
1x4 CONNECTOR HOUSING, KEYING OPTION B 7mm CLIP SLOT	STONE GRAY	SPS/NYLON GF20
1x4 CONNECTOR HOUSING, KEYING OPTION A 7mm CLIP SLOT	BLACK	SPS/NYLON GF20
1x4 CONNECTOR HOUSING, KEYING OPTION G 7mm CLIP SLOT	YELLOW	SPS/NYLON GF20
1x4 CONNECTOR HOUSING, KEYING OPTION F 7mm CLIP SLOT	YELLOW	SPS/NYLON GF20
1x4 CONNECTOR HOUSING, KEYING OPTION E 7mm CLIP SLOT	YELLOW	SPS/NYLON GF20
1x4 CONNECTOR HOUSING, KEYING OPTION D 7mm CLIP SLOT	YELLOW	SPS/NYLON GF20
1x4 CONNECTOR HOUSING, KEYING OPTION C 7mm CLIP SLOT	YELLOW	SPS/NYLON GF20
1x4 CONNECTOR HOUSING, KEYING OPTION B 7mm CLIP SLOT	YELLOW	SPS/NYLON GF20
1x4 CONNECTOR HOUSING, KEYING OPTION A 7mm CLIP SLOT	YELLOW	SPS/NYLON GF20

DESCRIPTION	COLOR	MATERIAL
BOM/APPLICABLE COMPONENTS TABLE		

ABBREVIATION	COMPONENT
A	CONNECTOR HOUSING KEYING OPTION A
B	CONNECTOR HOUSING KEYING OPTION B
C	CONNECTOR HOUSING KEYING OPTION C
D	CONNECTOR HOUSING KEYING OPTION D
E	CONNECTOR HOUSING KEYING OPTION E
F	CONNECTOR HOUSING KEYING OPTION F
G	CONNECTOR HOUSING KEYING OPTION G
PLR	PLR

THIS DRAWING CONTAINS INFORMATION THAT IS PROPRIETARY TO MOLEX ELECTRONIC TECHNOLOGIES, LLC AND SHOULD NOT BE USED WITHOUT WRITTEN PERMISSION												
QUALITY SYMBOLS ▽ = 0 ▽ = 0 ▽ = 0 ▽ = 0 ▽ = 0 □ = 0 ■ = 0 ▽ = 0	2020/09/11 2020/09/15 2020/09/15	GENERAL TOLERANCES (UNLESS SPECIFIED) ANGULAR TOL ± 3.0 °	DIMENSION UNITS	SCALE	 1.2MM 1X4, 1X6 BLADE SEALED ASSEMBLY CABLE SEAL 639764 - REMOVED CPA3 AND REPLACED WITH CPA2 AGAIN 64 PRODUCT CUSTOMER DRAWING							
			mm									
			DRWN BY	DATE								
			MVANSLAMBROU	2012/07/13						CHKD BY	DATE	
4 PLACES ±	3 PLACES ±	2 PLACES ± 0.1	1 PLACE ± 0.2	0 PLACES ± 0.5								
		DRAFT WHERE APPLICABLE MUST REMAIN WITHIN DIMENSIONS	DRAWING SIZE	THIRD ANGLE PROJECTION								
			D		SERIES	MATERIAL NUMBER	CUSTOMER					
					34899	SEE BOM	GENERAL MARKET					
					DOCUMENT NUMBER	SD-34899-6001	DOC TYPE	PSD	DOC PART	001	SHEET NUMBER	9 OF 11

1x6 BLADE SEALED ASSEMBLY BOM FOR WIRE DRESS COVER INTERFACE 1 REFER WIRE DRESS INTERFACE SHEET FOR DETAILS

KEYING OPTION A, 40-G CLIP SLOT, BLACK	34899-6070																			A	CONCEPT	
KEYING OPTION A, 40-G CLIP SLOT, YELLOW	34899-6050																			A	CONCEPT	
KEYING OPTION D, 11mm CLIP SLOT, STONE GRAY	34899-6063																			D	OBSOLETE	
KEYING OPTION C, 11mm CLIP SLOT, DARK GRAY	34899-6062																			C	OBSOLETE	
KEYING OPTION B, 11mm CLIP SLOT, LIGHT GRAY	34899-6061																			B	OBSOLETE	
KEYING OPTION A, 11mm CLIP SLOT, BLACK	34899-6060																			A	OBSOLETE	
KEYING OPTION D, 11mm CLIP SLOT, YELLOW	34899-6043																			D	SALEABLE	
KEYING OPTION C, 11mm CLIP SLOT, YELLOW	34899-6042																			C	SALEABLE	
KEYING OPTION B, 11mm CLIP SLOT, YELLOW	34899-6041																			B	OBSOLETE	
KEYING OPTION A, 11mm CLIP SLOT, YELLOW	34899-6040																			A	SALEABLE	
KEYING OPTION D, 7mm CLIP SLOT, STONE GRAY	34899-6023																			D	OBSOLETE	
KEYING OPTION C, 7mm CLIP SLOT, DARK GRAY	34899-6022																			C	OBSOLETE	
KEYING OPTION B, 7mm CLIP SLOT, LIGHT GRAY	34899-6021																			B	SALEABLE	
KEYING OPTION A, 7mm CLIP SLOT, BLACK	34899-6020																			A	OBSOLETE	
KEYING OPTION D, 7mm CLIP SLOT, YELLOW	34899-6013																			D	SALEABLE	
KEYING OPTION C, 7mm CLIP SLOT, YELLOW	34899-6012																			C	SALEABLE	
KEYING OPTION B, 7mm CLIP SLOT, YELLOW	34899-6011																			B	OBSOLETE	
KEYING OPTION A, 7mm CLIP SLOT, YELLOW	34899-6010																			A	SALEABLE	
ASSEMBLY DESCRIPTION	ASSEMBLY PART NUMBER																				PRODUCTION TOOL STATUS	COMMENTS

PLR	NATURAL	SPS/NYLON GF20
1x6 CONNECTOR HOUSING, KEYING OPTION A 40G CLIP SLOT	BLACK	SPS/NYLON GF20
1x6 CONNECTOR HOUSING, KEYING OPTION A 40G CLIP SLOT	YELLOW	SPS/NYLON GF20
1x6 CONNECTOR HOUSING, KEYING OPTION D 11mm CLIP SLOT	STONE GRAY	SPS/NYLON GF20
1x6 CONNECTOR HOUSING, KEYING OPTION C 11mm CLIP SLOT	DARK GRAY	SPS/NYLON GF20
1x6 CONNECTOR HOUSING, KEYING OPTION B 11mm CLIP SLOT	LIGHT GRAY	SPS/NYLON GF20
1x6 CONNECTOR HOUSING, KEYING OPTION A 11mm CLIP SLOT	BLACK	SPS/NYLON GF20
1x6 CONNECTOR HOUSING, KEYING OPTION D 11mm CLIP SLOT	YELLOW	SPS/NYLON GF20
1x6 CONNECTOR HOUSING, KEYING OPTION C 11mm CLIP SLOT	YELLOW	SPS/NYLON GF20
1x6 CONNECTOR HOUSING, KEYING OPTION B 11mm CLIP SLOT	YELLOW	SPS/NYLON GF20
1x6 CONNECTOR HOUSING, KEYING OPTION A 11mm CLIP SLOT	YELLOW	SPS/NYLON GF20
1x6 CONNECTOR HOUSING, KEYING OPTION D 7mm CLIP SLOT	STONE GRAY	SPS/NYLON GF20
1x6 CONNECTOR HOUSING, KEYING OPTION C 7mm CLIP SLOT	DARK GRAY	SPS/NYLON GF20
1x6 CONNECTOR HOUSING, KEYING OPTION B 7mm CLIP SLOT	LIGHT GRAY	SPS/NYLON GF20
1x6 CONNECTOR HOUSING, KEYING OPTION A 7mm CLIP SLOT	BLACK	SPS/NYLON GF20
1x6 CONNECTOR HOUSING, KEYING OPTION D 7mm CLIP SLOT	YELLOW	SPS/NYLON GF20
1x6 CONNECTOR HOUSING, KEYING OPTION C 7mm CLIP SLOT	YELLOW	SPS/NYLON GF20
1x6 CONNECTOR HOUSING, KEYING OPTION B 7mm CLIP SLOT	YELLOW	SPS/NYLON GF20
1x6 CONNECTOR HOUSING, KEYING OPTION A 7mm CLIP SLOT	YELLOW	SPS/NYLON GF20
DESCRIPTION	COLOR	MATERIAL

BOM/APPLICABLE COMPONENTS TABLE

ABBREVIATION	COMPONENT
A	CONNECTOR HOUSING KEYING OPTION A
B	CONNECTOR HOUSING KEYING OPTION B
C	CONNECTOR HOUSING KEYING OPTION C
D	CONNECTOR HOUSING KEYING OPTION D
PLR	PLR

THIS DRAWING CONTAINS INFORMATION THAT IS PROPRIETARY TO MOLEX ELECTRONIC TECHNOLOGIES, LLC AND SHOULD NOT BE USED WITHOUT WRITTEN PERMISSION													
QUALITY SYMBOLS	DRWN: GELIOTT01	2020/09/15	GENERAL TOLERANCES (UNLESS SPECIFIED)	DIMENSION UNITS	SCALE					1.2MM 1X4, 1X6 BLADE SEALED ASSEMBLY CABLE SEAL 639764 - REMOVED CPA3 AND REPLACED WITH CPA2 AGAIN 64			
▽ = 0	CHKD: MVANSLAMBROU	2020/09/15	ANGULAR TOL ± 3.0 °	mm	2:1								
▽ = 0	REV: APPR: MVANSLAMBROU	2020/09/15	4 PLACES ±	DRWN BY	DATE	MVANSLAMBROU				2012/07/13			
▽ = 0			3 PLACES ±	CHKD BY	DATE	VKOSHY				2012/07/19			
▽ = 0			2 PLACES ± 0.1	APPR BY	DATE	VKOSHY				2012/07/24			
▽ = 0			1 PLACE ± 0.2	DRAWING SIZE	THIRD ANGLE PROJECTION	D							
▽ = 0			0 PLACES ± 0.5	DRAFT WHERE APPLICABLE MUST REMAIN WITHIN DIMENSIONS						SERIES		CUSTOMER	
▽ = 0				34899		SEE BOM		GENERAL MARKET					
				DOCUMENT NUMBER		DOC TYPE		DOC PART		SHEET NUMBER			
				SD-34899-6001		PSD		001		10 OF 11			

TABLE OF CONTENTS

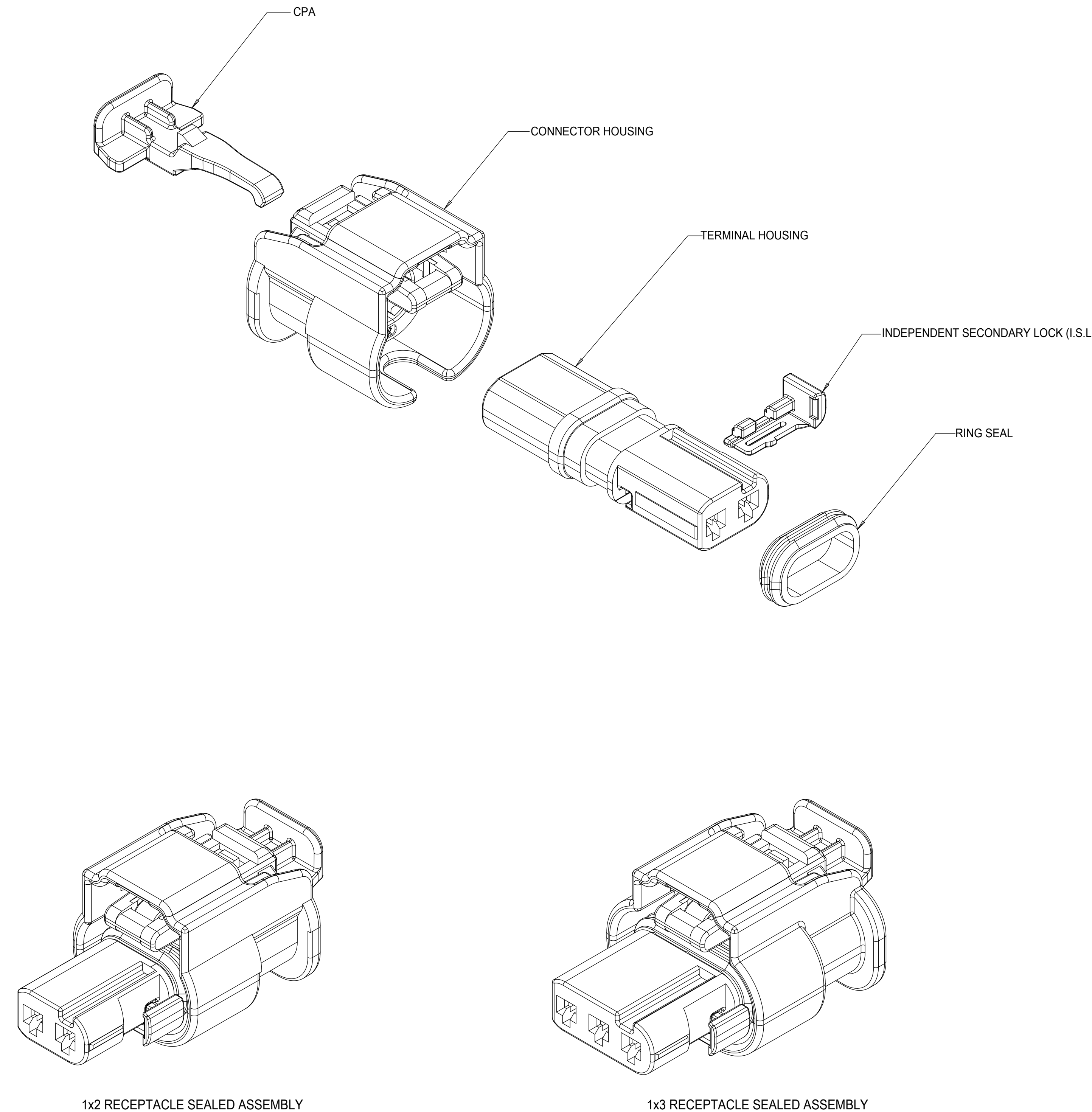
SHEET NO.	SHEET DESCRIPTION
1	NOTES
2	1x2 RECEPTACLE SEALED ASSEMBLY KEYING CONFIGURATIONS
3	1x3 RECEPTACLE SEALED ASSEMBLY KEYING CONFIGURATIONS
4	RECEPTACLE SEALED ASSEMBLY
5	1x2 RECEPTACLE SEALED ASSEMBLY BOM SHEET 1
6	1x3 RECEPTACLE SEALED ASSEMBLY BOM SHEET 1
7	OBSOLETE PART NUMBERS

NOTES: VALID UNLESS OTHERWISE SPECIFIED

1. GENERAL:
 - a. APPLICATION SPECIFICATION SEE: AS-34900-0001
CONTAINS: PRODUCT INTRODUCTION, PRODUCT SUMMARY, CONNECTOR ASSEMBLY, PACKAGING INFORMATION, CONNECTOR MATING, SERVICE INSTRUCTIONS, ELECTRICAL CONTINUITY CHECKING, CRIMPING, AND TROUBLESHOOTING.
 - b. PRODUCT SPECIFICATION SEE: PS-34900-0001
CONTAINS: PRODUCT INTRODUCTION, PRODUCT SUMMARY, RATINGS (CURRENT, TEMPERATURE, SEALING, AND FLAMMABILITY), AND PRODUCT VALIDATION.
 - c. PACKAGING SPECIFICATION PER MOLEX DRAWING: PK-31301-898
 - d. PARTS MUST BE IN COMPLIANCE TO MOLEX CHEMICAL SUBSTANCES FOR PRODUCTS AND PACKAGING SPECIFICATION: ES-40000-5016
 - e. DATA MUST BE SUBMITTED UNDER THE MOLEX PART NUMBER TO IMDS (COMPANY ID#13255)
 - f. DESIGNED TO MATE WITH DEVICE CONNECTION AS SPECIFIED IN BOM CHART
USCAR DRAWINGS AND MODELS ARE AVAILABLE AT <http://ewcap.uscarteams.org/>.

2. DESIGN - MATERIALS:
 - a. SEE BOM TABLE

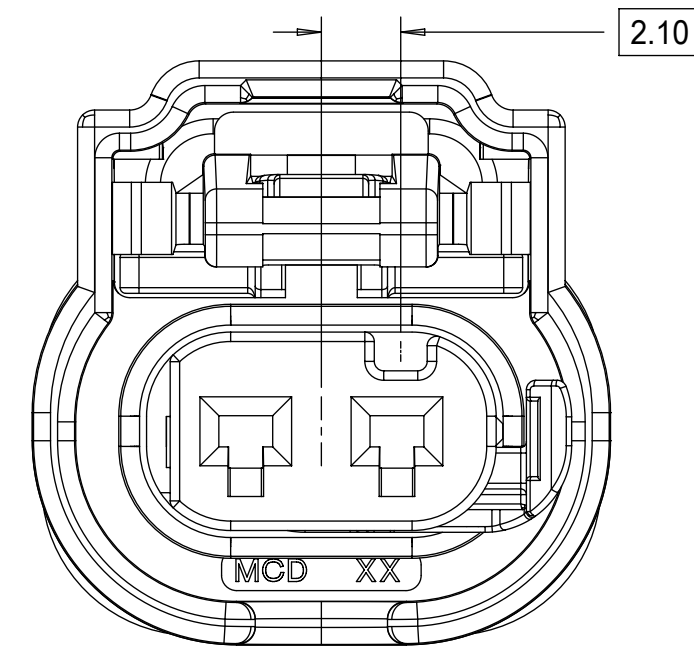
3. DESIGN - GEOMETRY:
 - a. THIS IS A 100% CAD GENERATED PART. THE CAD MATHEMATICAL DATA IS THE MASTER FOR THIS PART. FOR DIMENSIONAL OR ANY INFORMATION NOT SHOWN ON THIS DRAWING, ANALYZE THE CAD MODEL.
 - b. GEOMETRIC DIMENSIONS AND TOLERANCES PER ASME Y14.5M - 1994
 - c. EDGES AND UNDIMENSIONED DETAILS PER ISO13715
 - d. CORNERS SHOWN AS SHARP TO BE R 0.2 MAX.
 - e. LETTERING SHALL BE 0.15 MAX RAISED IN 0.25 MAX RECESS PAD.
THIS INCLUDES RECYCLING CODE, CAVITY ID, VENDOR IDENTIFICATION, AND CUSTOMER MATERIAL NUMBER.
 - f. VISUAL DEFECTS SHALL MEET COSMETIC STANDARD PS-45499-002 (Class B)
 - g. LASER MARKING:
 1. PART NUMBER
 2. DAY OF THE YEAR
 3. SHIFT
 4. YEAR



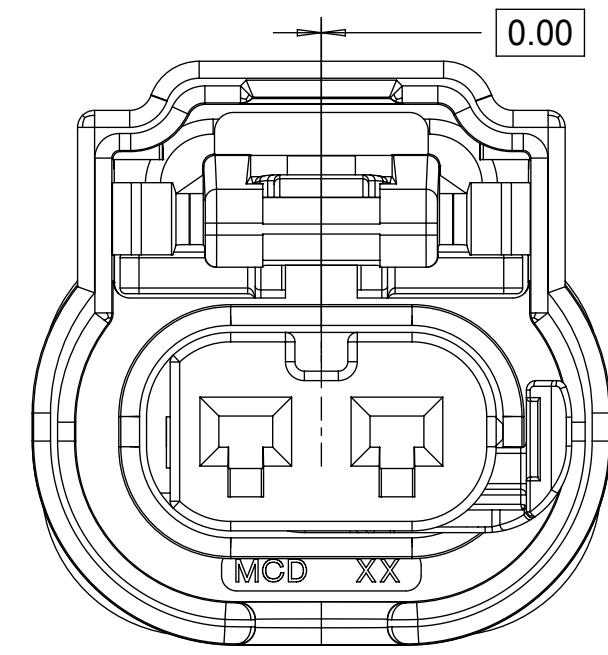
C8	UPDATED INTERFACE MODEL REFERENCES
C7	RETURNED CPA3 TO CPA2
C6	CHANGED 1X2 KEY E STATUS
C5	CHANGED CPA2 TO CPA3
C4	ADDED WIRE DRESS COVERS
C3	ADDED CPA2 PNs
C2	UPDATED STATUS OF PNs
C1	- NX-REMASTERING FROM MODEL MANAGER - 1X2 KEY C MADE SALEABLE
C	34900-3127 RELEASED AS SALEABLE
B	PRIMARY KEYS (A,B) MOVED TO SALEABLE
A10	ADDED 1X3 SEVERE VIBRATION PART NUMBER
A9	1X2 AND 1X3 PART # UPDATED DIMENSION 2 UPDATED
A8	1X2 PART # UPDATED TO "TOOLED BUT NOT VALIDATED"
A7	1X2 PART # UPDATED TO "TOOLED BUT NOT VALIDATED"
A6	ADDED NEW PART NUMBERS FOR LATCH IMPROVEMENT
A5	BOM CORRECTIONS AND UPDATES
A4	BOM CORRECTIONS AND UPDATES
A3	1x2, 1x3 NON-SIR OK TO TOOL
A2	MINOR BOM CORRECTIONS
A1	ADDED COMPONENTS TO BOM
A	ADDED BLACK PART NUMBERS AND MINOR BOM UPDATES
3	ADDED 1x3
2	MINOR BOM CORRECTIONS
1	INITIAL RELEASE
REV	DESCRIPTION

QUALITY SYMBOLS □ = 0 ▽ = 0 ▽ = 0 ▽ = 0 ▽ = 0 ▽ = 0 ▽ = 0 ▽ = 0 ▽ = 0 ▽ = 0	THIS DRAWING CONTAINS INFORMATION THAT IS PROPRIETARY TO MOLEX ELECTRONIC TECHNOLOGIES, LLC AND SHOULD NOT BE USED WITHOUT WRITTEN PERMISSION			
	EC NO: 645203 DRWN: GELLIOTTO1 CHKD: MVANSLAMBROU REV: APPR: MVANSLAMBROU	2020/09/11 2020/09/15 2020/09/15	GENERAL TOLERANCES (UNLESS SPECIFIED) ANGULAR TOL ± ° 4 PLACES ± 3 PLACES ± 2 PLACES ± 0.1 1 PLACE ± 0.2 0 PLACES ± 0.5 DRAFT WHERE APPLICABLE MUST REMAIN WITHIN DIMENSIONS	DIMENSION UNITS: mm SCALE: 4:1 DRWN BY: MVANSLAMBROU DATE: 2012/02/15 CHKD BY: GGA DATE: 2013/11/06 APPR BY: GGA DATE: 2012/12/13 DRAWING SIZE: D THIRD ANGLE PROJECTION
	molex® 1.2MM 1X2, 1X3 RECPT. SEALED ASSEMBLY CABLE SEAL 621905: ADDED CPA2 PNs, RE-ADDED PNs USING TERMINAL H		PRODUCT CUSTOMER DRAWING SERIES: 34900 MATERIAL NUMBER: SEE TABLE CUSTOMER: GENERAL MARKET	
	RELEASE STATUS: P1 RELEASE DATE: 2020/09/15 14:05:25		DOCUMENT NUMBER: SD-34900-2001 DOC TYPE: PSD DOC PART: 001 SHEET NUMBER: 1 OF 7	

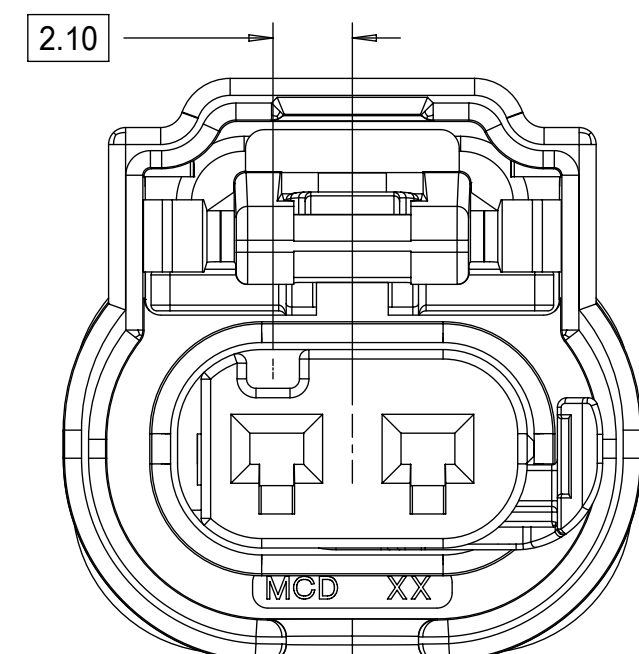
1x2 RECEPTACLE SEALED ASSEMBLY KEYING CONFIGURATIONS. FOR PART NUMBERS REFER TO BOM SHEET.



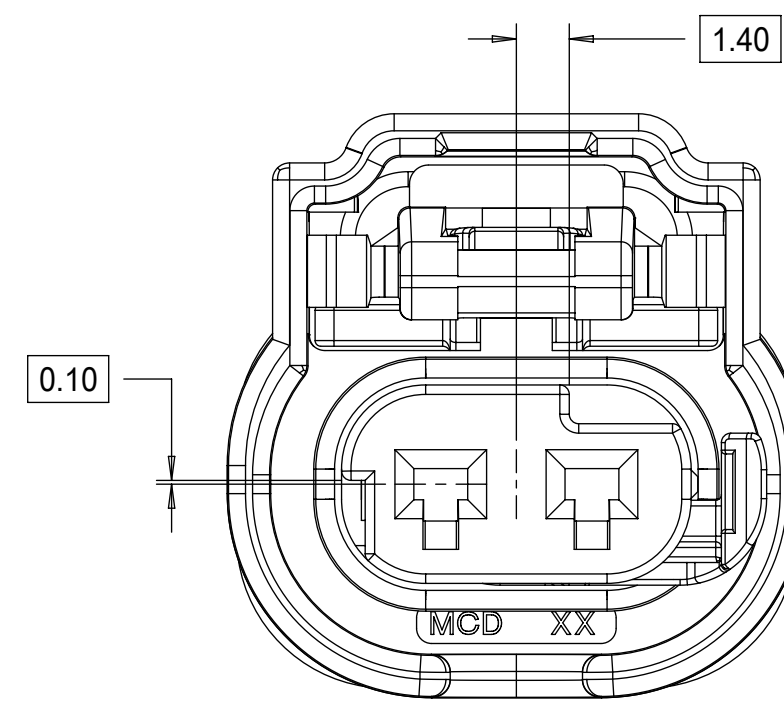
KEYING OPTION A





KEYING OPTION B



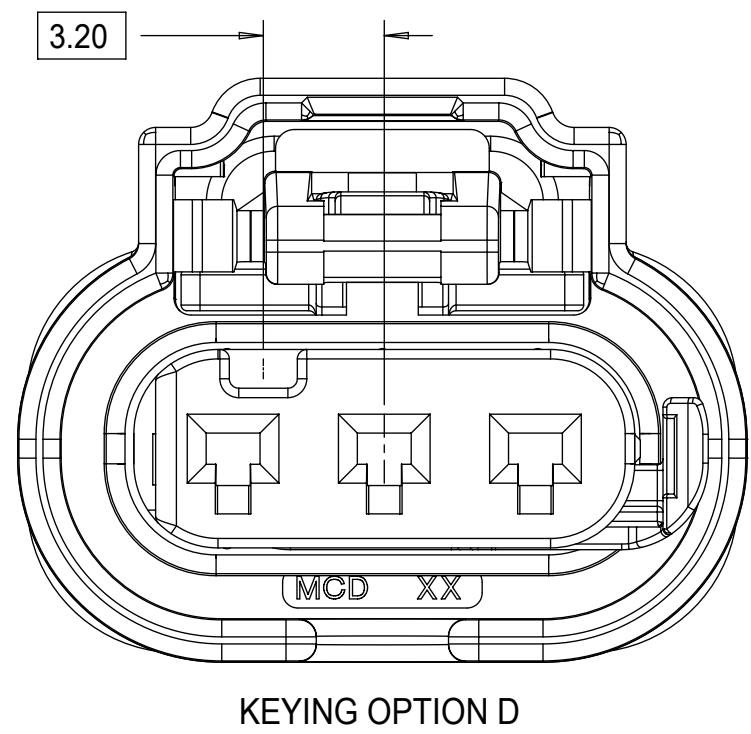
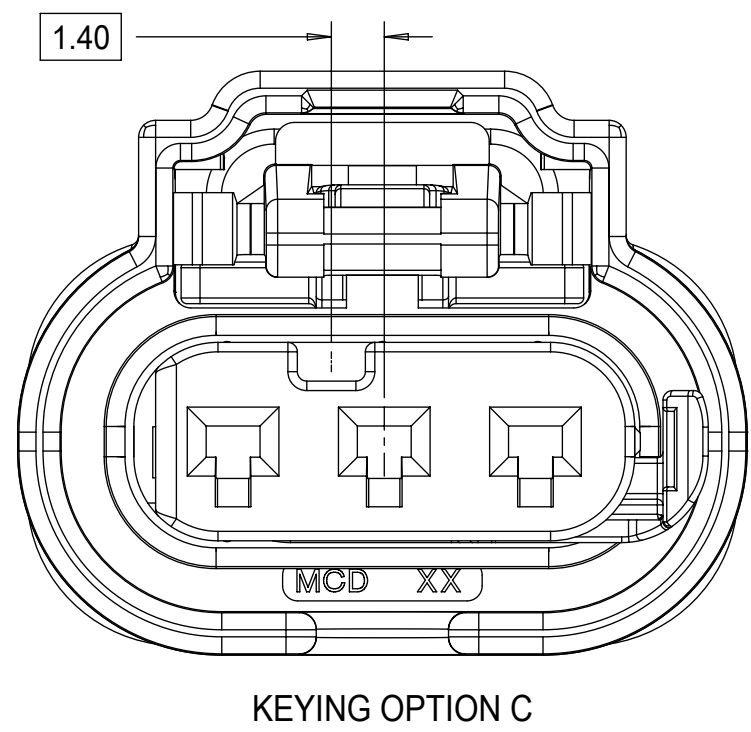
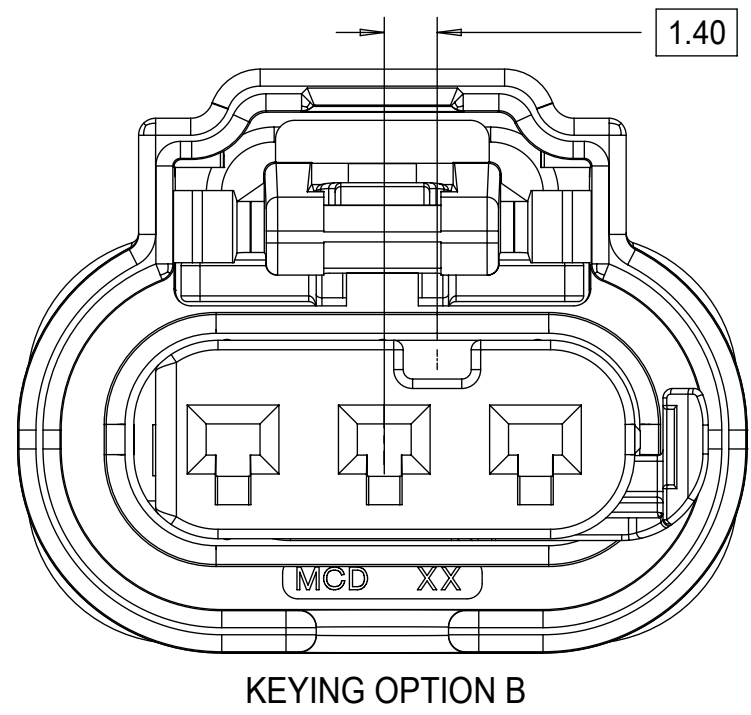
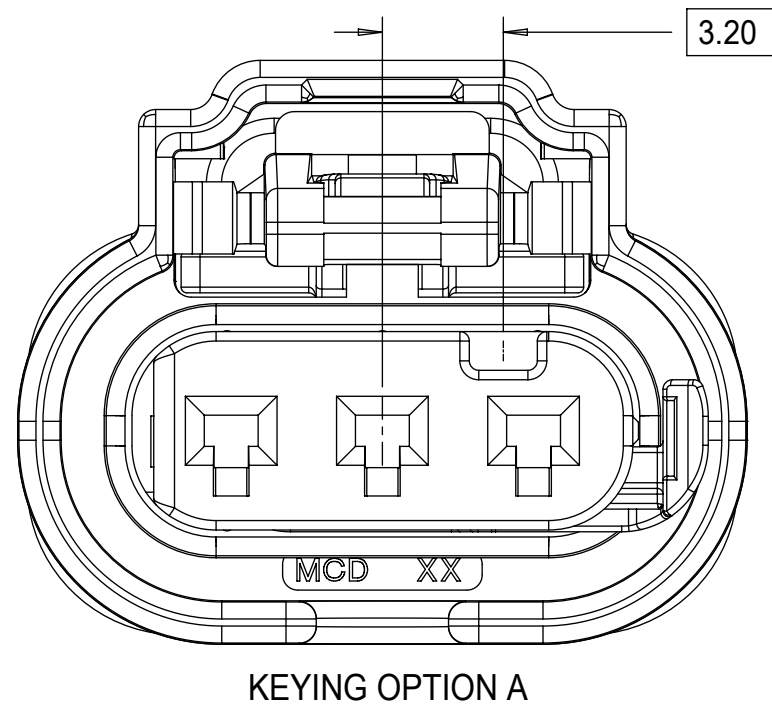
KEYING OPTION C



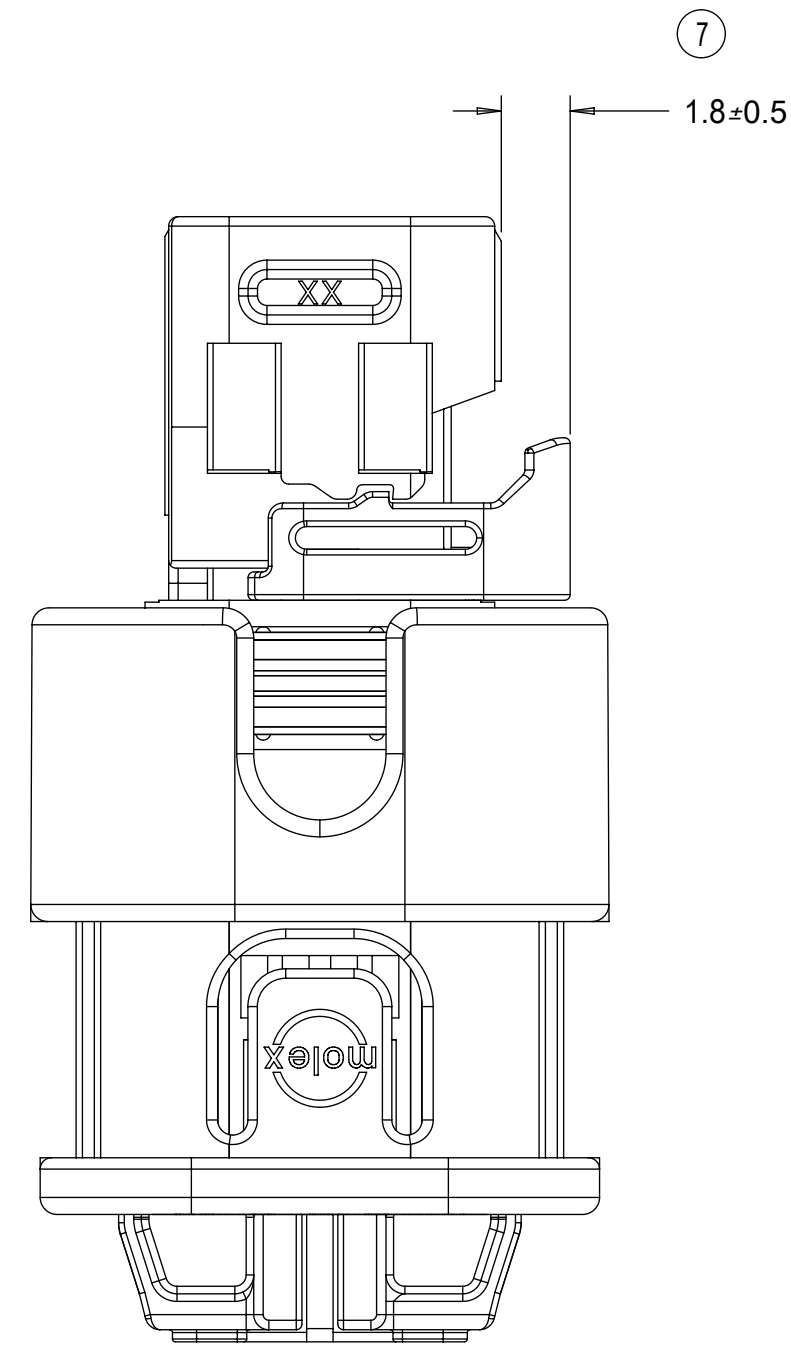
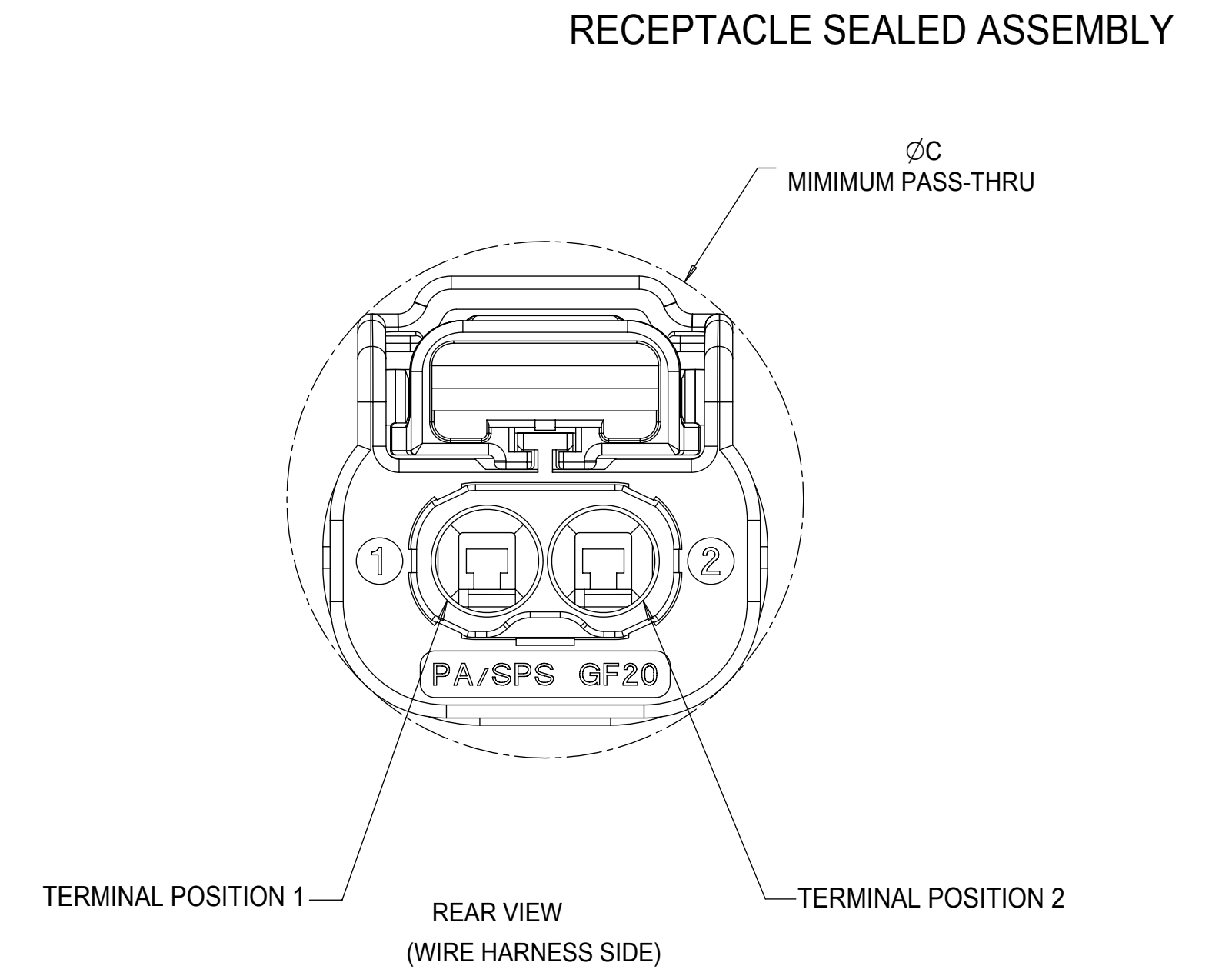
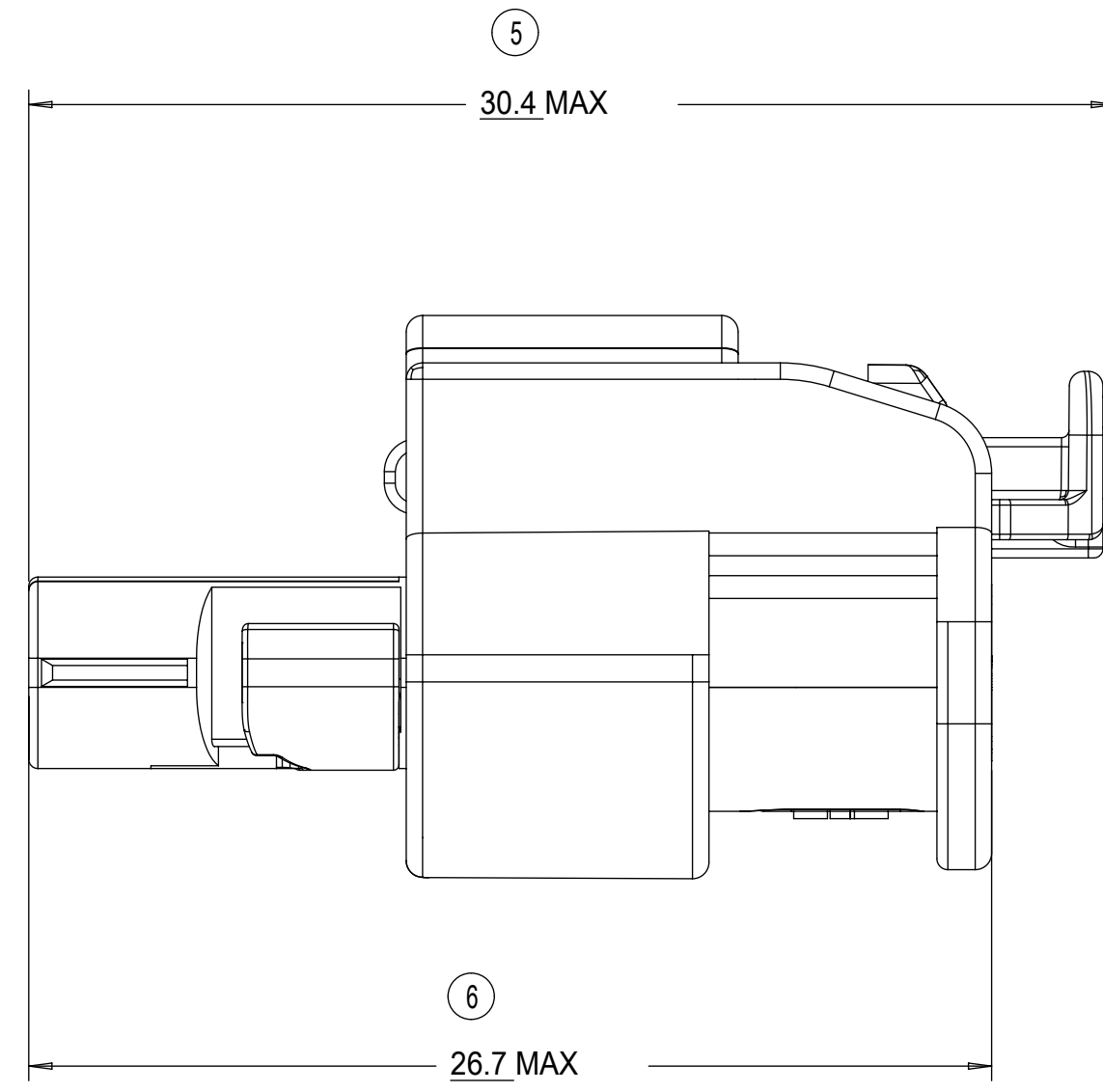
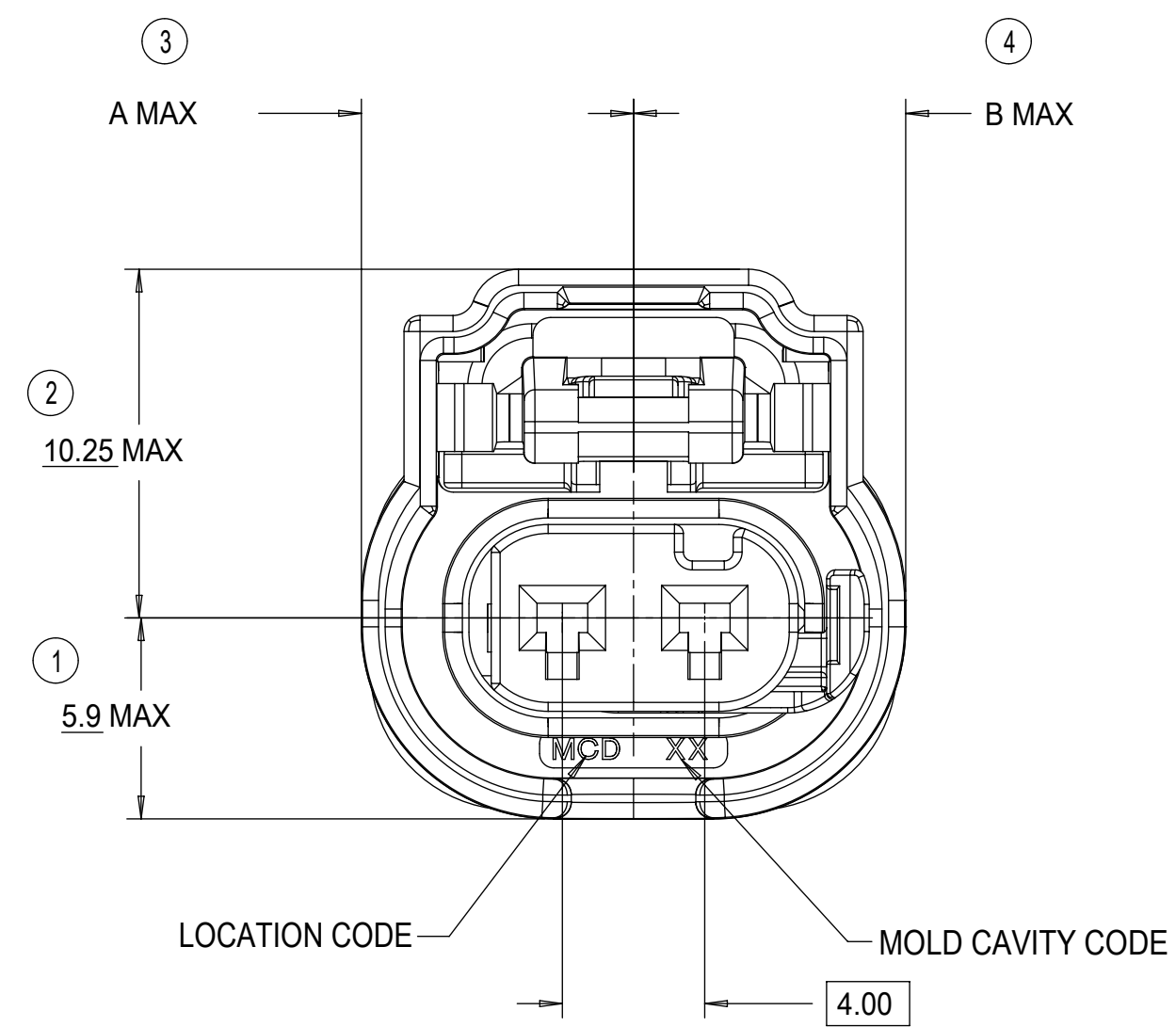
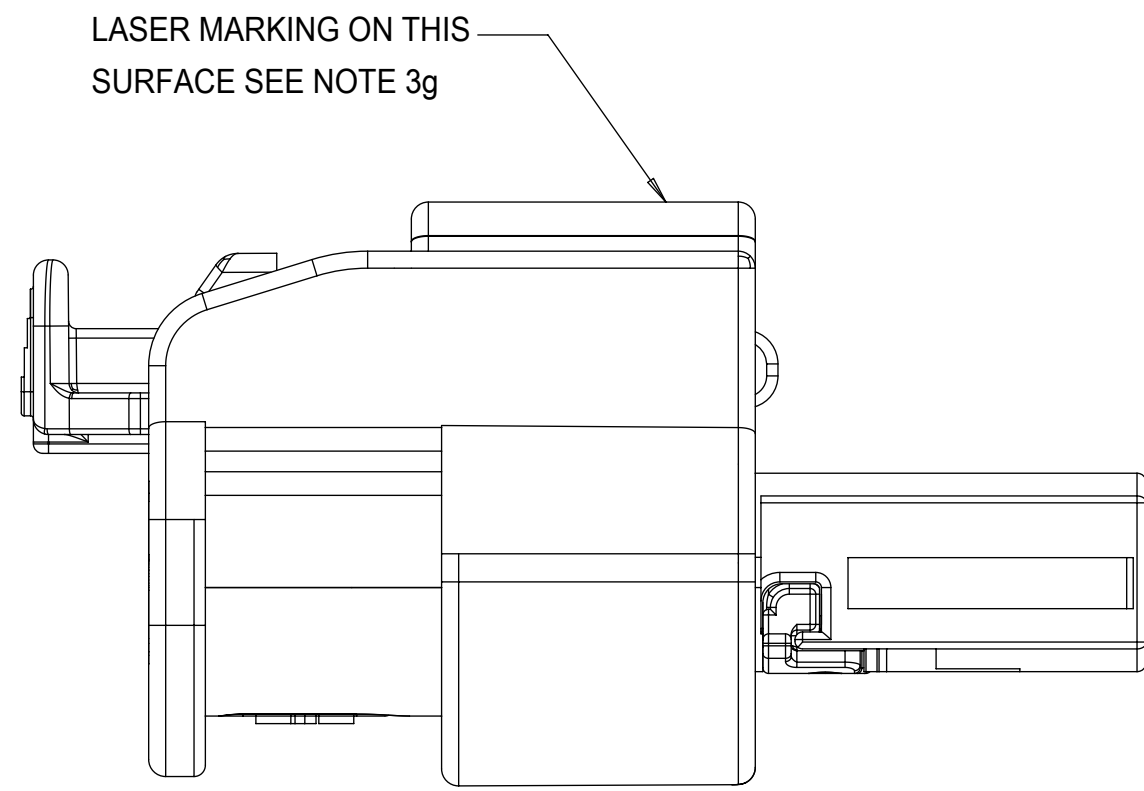
KEYING OPTION E

THIS DRAWING CONTAINS INFORMATION THAT IS PROPRIETARY TO MOLEX ELECTRONIC TECHNOLOGIES, LLC AND SHOULD NOT BE USED WITHOUT WRITTEN PERMISSION										
QUALITY SYMBOLS □ = 0 ▽ = 0 ▽ = 0 ▽ = 0 ▽ = 0 ▽ = 0 ▽ = 0 ▽ = 0 ▽ = 0 ▽ = 0	2020/09/11	GENERAL TOLERANCES (UNLESS SPECIFIED)		DIMENSION UNITS	SCALE	 1.2MM 1X2, 1X3 RECPT. SEALED ASSEMBLY CABLE SEAL 621905: ADDED CPA2 PNS, RE-ADDED PNS USING TERMINAL H				
	DRWN BY	ANGULAR TOL ± °		mm	5:1					
	2020/09/15	4 PLACES ±		DRWN BY	DATE	PRODUCT CUSTOMER DRAWING				
	CHKD BY	3 PLACES ±		MVANSLAMBROU	2012/02/15					
	2020/09/15	2 PLACES ± 0.1		CHKD BY	DATE	SERIES MATERIAL NUMBER CUSTOMER 34900 SEE BOM GENERAL MARKET				
	DRWN BY	1 PLACE ± 0.2		GGA	2012/12/13					
	2020/09/15	0 PLACES ± 0.5		APPBY	DATE	DOCUMENT NUMBER DOC TYPE DOC PART SHEET NUMBER SD-34900-2001 PSD 001 2 OF 7				
	DRWN BY	DRAFT WHERE APPLICABLE MUST REMAIN WITHIN DIMENSIONS		DRAWING SIZE	THIRD ANGLE PROJECTION					
	EC NO: 645203	DRAFT WHERE APPLICABLE MUST REMAIN WITHIN DIMENSIONS		D						
	DRWN: GELLIOTTO1									
CHKD: MVANSLAMBROU										
APPY: MVANSLAMBROU										
REV: C8										
RELEASE STATUS	P1	RELEASE DATE	2020/09/15	14:05:25						

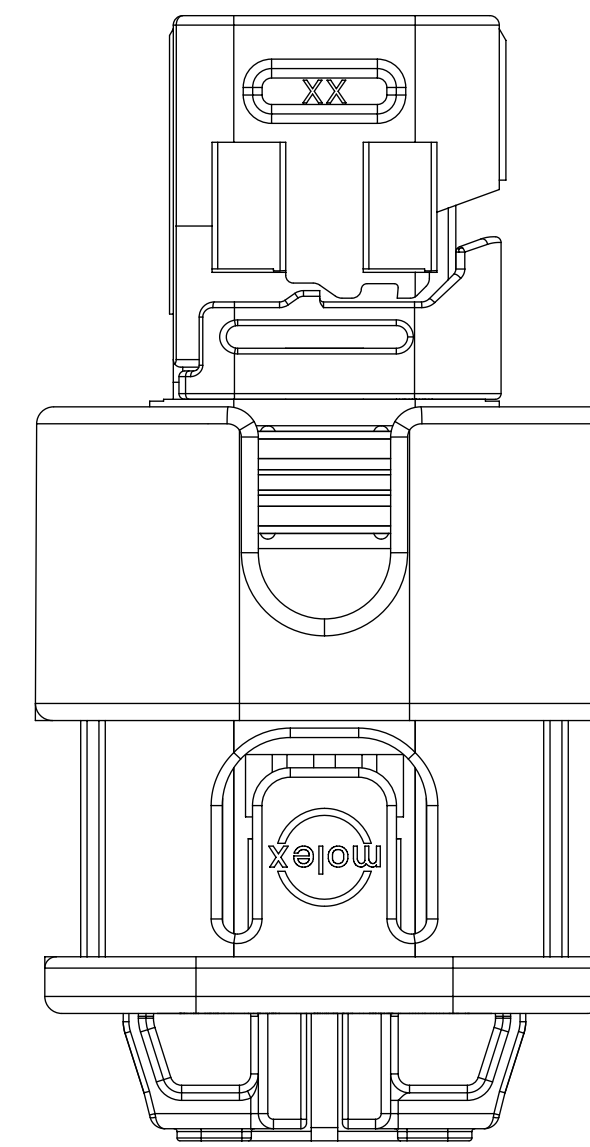
1x3 RECEPTACLE SEALED ASSEMBLY KEYING CONFIGURATIONS. FOR PART NUMBERS REFER TO BOM SHEET.



THIS DRAWING CONTAINS INFORMATION THAT IS PROPRIETARY TO MOLEX ELECTRONIC TECHNOLOGIES, LLC AND SHOULD NOT BE USED WITHOUT WRITTEN PERMISSION											
QUALITY SYMBOLS 	2020/09/11	GENERAL TOLERANCES (UNLESS SPECIFIED)		DIMENSION UNITS	SCALE						
	DRWN BY: GELLIOTTO1	2020/09/15	4 PLACES ±	mm	5:1						
	CHKD: MVANSLAMBROU	2020/09/15	3 PLACES ±	ANGULAR TOL ± °	DRWN BY DATE	MVANSLAMBROU 2012/02/15					
	REV: APPR: MVANSLAMBROU	2020/09/15	2 PLACES ± 0.1	0 PLACES ± 0.5	CHKD BY DATE	2013/11/06					
	DRAFT WHERE APPLICABLE MUST REMAIN WITHIN DIMENSIONS			1 PLACE ± 0.2	APPR BY DATE	GGA 2012/12/13					
	DRAFT WHERE APPLICABLE MUST REMAIN WITHIN DIMENSIONS			0 PLACES ± 0.5	DRAWING SIZE	THIRD ANGLE PROJECTION					
	DRAFT WHERE APPLICABLE MUST REMAIN WITHIN DIMENSIONS			0 PLACES ± 0.5	D						
	DRAFT WHERE APPLICABLE MUST REMAIN WITHIN DIMENSIONS			0 PLACES ± 0.5	SERIES MATERIAL NUMBER CUSTOMER						
	DRAFT WHERE APPLICABLE MUST REMAIN WITHIN DIMENSIONS			0 PLACES ± 0.5	34900 SEE BOM GENERAL MARKET						
	DRAFT WHERE APPLICABLE MUST REMAIN WITHIN DIMENSIONS			0 PLACES ± 0.5	DOCUMENT NUMBER DOC TYPE DOC PART SHEET NUMBER						
DRAFT WHERE APPLICABLE MUST REMAIN WITHIN DIMENSIONS			0 PLACES ± 0.5	SD-34900-2001 PSD 001 3 OF 7							



INDEPENDENT SECONDARY LOCK (ISL)
SHOWN IN THE PRE-STAGED POSITION



INDEPENDENT SECONDARY LOCK (ISL)
SHOWN IN THE FINAL-LOCK POSITION

1x3 RECEPTACLE SEALED ASSEMBLY	10.0	10.0	20.75
1x2 RECEPTACLE SEALED ASSEMBLY	8.0	8.0	18.75
CONFIGURATION	A	B	C

CHARTED DIMENSIONS

QUALITY SYMBOLS 	THIS DRAWING CONTAINS INFORMATION THAT IS PROPRIETARY TO MOLEX ELECTRONIC TECHNOLOGIES, LLC AND SHOULD NOT BE USED WITHOUT WRITTEN PERMISSION			
	EC NO: 645203 DRWN: GELLIOTTO1 CHKD: MVANSLAMBROU REV: APPR: MVANSLAMBROU	2020/09/11 2020/09/15 2020/09/15	GENERAL TOLERANCES (UNLESS SPECIFIED) ANGULAR TOL ± ° 4 PLACES ± 3 PLACES ± 2 PLACES ± 0.1 1 PLACE ± 0.2 0 PLACES ± 0.5 DRAFT WHERE APPLICABLE MUST REMAIN WITHIN DIMENSIONS	DIMENSION UNITS: mm SCALE: 5:1 DRWN BY: MVANSLAMBROU DATE: 2012/02/15 CHKD BY: GGA DATE: 2013/11/06 APPR BY: GGA DATE: 2012/12/13 DRAWING SIZE: D THIRD ANGLE PROJECTION

1X2 RECEPTACLE SEALED ASSEMBLY BOM SHEET 1

ASSEMBLY DESCRIPTION	PART NUMBER	OPERATING TEMPERATURE	VIBRATION CLASS PER GMW3191 DEC. 2007	OUTER HOUSING SHROUD LENGTH	A	B	C	E	CPA1	CPA3	STATUS	COMMENTS	DESIGNED TO MATE WITH DEVICE CONNECTION
KEYING OPTION E, BLACK	34900-2223	-40 TO 155		4					CHB		CPA2	TOOLED BUT NOT VALIDATED	1 2 3
KEYING OPTION C, BLACK	34900-2222	-40 TO 155		4					CHB	C	CPA2	TOOLED BUT NOT VALIDATED	1 2 3
KEYING OPTION B, BLACK	34900-2221	-40 TO 155		4					CHB	B	CPA2	TOOLED BUT NOT VALIDATED	1 2 3
KEYING OPTION A, BLACK	34900-2220	-40 TO 155		4					CHB	A	CPA2	TOOLED BUT NOT VALIDATED	1 2 3
KEYING OPTION E, YELLOW	34900-2204	-40 TO 125		2					CHY		CPA2	TOOLED BUT NOT VALIDATED	1 2 3
KEYING OPTION C, YELLOW	34900-2203	-40 TO 125		2					CHY	C	CPA2	TOOLED BUT NOT VALIDATED	1 2 3
KEYING OPTION B, YELLOW	34900-2202	-40 TO 125		2					CHY	B	CPA2	TOOLED BUT NOT VALIDATED	1 2 3
KEYING OPTION A, YELLOW	34900-2201	-40 TO 125		2					CHY	A	CPA2	TOOLED BUT NOT VALIDATED	1 2 3
KEYING OPTION E, BLACK	34900-2123	-40 TO 155		4					CHB		CPA1	NOT RECOMMENDED	ALT. KEY SUGGESTED 1 2 3
KEYING OPTION C, BLACK	34900-2122	-40 TO 155		4					CHB	C	CPA1	SALEABLE	1 2 3
KEYING OPTION B, BLACK	34900-2121	-40 TO 155		4					CHB	B	CPA1	SALEABLE	1 2 3
KEYING OPTION A, BLACK	34900-2120	-40 TO 155		4					CHB	A	CPA1	SALEABLE	1 2 3
KEYING OPTION E, YELLOW	34900-2104	-40 TO 125		2					CHY		CPA1	NOT RECOMMENDED	ALT. KEY SUGGESTED 1 2 3
KEYING OPTION C, YELLOW	34900-2103	-40 TO 125		2					CHY	C	CPA1	SALEABLE	1 2 3
KEYING OPTION B, YELLOW	34900-2102	-40 TO 125		2					CHY	B	CPA1	SALEABLE	1 2 3
KEYING OPTION A, YELLOW	34900-2101	-40 TO 125		2					CHY	A	CPA1	SALEABLE	1 2 3
KEYING OPTION B, YELLOW	34900-2002	-40 TO 125		2					CHY	B	CPA1	SALEABLE	1 2 3
KEYING OPTION A, YELLOW	34900-2001	-40 TO 125		2					CHY	A	CPA1	SALEABLE	1 2 3

DESCRIPTION	COLOR	MATERIAL	COMMENTS
RING SEAL	BURNT RED	INHERENTLY LUBRICATED SILICONE	
ISL	NATURAL	SPS/NYLON GF20	
CPA2	RED	PBT GF30	
CPA1	RED	PBT GF30	
TERMINAL HOUSING KEYING OPTION E	STONE GRAY	SPS/NYLON GF20	ALT. KEY SUGGESTED
TERMINAL HOUSING KEYING OPTION C	DARK GRAY	SPS/NYLON GF20	
TERMINAL HOUSING KEYING OPTION B	LT. GRAY	SPS/NYLON GF20	
TERMINAL HOUSING KEYING OPTION A	BLACK	SPS/NYLON GF20	
CONNECTOR HOUSING	BLACK	SPS/NYLON GF20	UPDATED LATCH
CONNECTOR HOUSING	YELLOW	SPS/NYLON GF20	UPDATED LATCH
CONNECTOR HOUSING	BLACK	SPS/NYLON GF20	
CONNECTOR HOUSING	YELLOW	SPS/NYLON GF20	
WIRE DRESS COVER STRAIGHT	BLACK	PA66	SOLD SEPARATELY SEE SD-160091-0001
WIRE DRESS COVER RIGHT	BLACK	PA66	
WIRE DRESS COVER LEFT	BLACK	PA66	
DESCRIPTION	COLOR	MATERIAL	COMMENTS

BOM / APPLICABLE COMPONENTS TABLE

ABREVIATION	COMPONENT
CHY	CONNECTOR HOUSING YELLOW
CHB	CONNECTOR HOUSING BLACK
A	TERMINAL HOUSING KEY A
B	TERMINAL HOUSING KEY B
C	TERMINAL HOUSING KEY C
E	TERMINAL HOUSING KEY E
CPA1	CPA VERSION 1
CPA2	CPA VERSION 2
ISL	ISL
R	RING SEAL
1	USCAR INTERFACE 120-S-002-1-Z01 SEE NOTE 1f FOR WEBSITE
2	MOLEX INLINE BLADE CONNECTOR E-34899-2001
3	USCAR INTERFACE 120-S-002-1-Z02 SEE NOTE 1f FOR WEBSITE

QUALITY SYMBOLS 	THIS DRAWING CONTAINS INFORMATION THAT IS PROPRIETARY TO MOLEX ELECTRONIC TECHNOLOGIES, LLC AND SHOULD NOT BE USED WITHOUT WRITTEN PERMISSION			
	EC NO: 645203 DRWN: GELLIOTT01 CHKD: MVANSLAMBROU REV APPR: MVANSLAMBROU	2020/09/15 2020/09/15 2020/09/15	GENERAL TOLERANCES (UNLESS SPECIFIED) ANGULAR TOL ± ° 4 PLACES ± 3 PLACES ± 2 PLACES ± 0.1 1 PLACE ± 0.2 0 PLACES ± 0.5	DIMENSION UNITS: mm SCALE: 2:1 DRWN BY: MVANSLAMBROU DATE: 2012/02/15 CHKD BY: GGA DATE: 2013/11/06 APPR BY: GGA DATE: 2012/12/13
	DRAFT WHERE APPLICABLE MUST REMAIN WITHIN DIMENSIONS		DRAUGHTING SYMBOLS: D, THIRDS ANGLE PROJECTION	PRODUCT CUSTOMER DRAWING
	C8	SERIES: 34900 MATERIAL NUMBER: 9999999999 CUSTOMER: GENERAL MARKET	DOCUMENT NUMBER: SD-34900-2001 DOC TYPE: PSD DOC PART: 001 SHEET NUMBER: 5 OF 7	MOLEX® 1.2MM 1X2, 1X3 RECPT. SEALED ASSEMBLY CABLE SEAL 621905: ADDED CPA2 PNS, RE-ADDED PNS USING TERMINAL H

KEYING OPTION D, STONE GRAY	34900-3223	-40 TO 125	2	SHORT	CHB				D			CPA2	TOOLED BUT NOT VALIDATED	1	2	3
KEYING OPTION C, DARK GRAY	34900-3222	-40 TO 125	2	SHORT	CHB				C			CPA2	TOOLED BUT NOT VALIDATED	1	2	3
KEYING OPTION B, LIGHT GRAY	34900-3221	-40 TO 125	2	SHORT	CHB			B				CPA2	TOOLED BUT NOT VALIDATED	1	2	3
KEYING OPTION A, BLACK	34900-3220	-40 TO 125	2	SHORT	CHB	A						CPA2	TOOLED BUT NOT VALIDATED	1	2	3
KEYING OPTION D, YELLOW	34900-3204	-40 TO 125	2	SHORT	CHY				D			CPA2	TOOLED BUT NOT VALIDATED	1	2	3
KEYING OPTION C, YELLOW	34900-3203	-40 TO 125	2	SHORT	CHY				C			CPA2	TOOLED BUT NOT VALIDATED	1	2	3
KEYING OPTION B, YELLOW	34900-3202	-40 TO 125	2	SHORT	CHY			B				CPA2	TOOLED BUT NOT VALIDATED	1	2	3
KEYING OPTION A, YELLOW	34900-3201	-40 TO 125	2	SHORT	CHY	A						CPA2	TOOLED BUT NOT VALIDATED	1	2	3
KEYING OPTION D, STONE GRAY	34900-3127	-40 TO 125	CONTACT MOLEX FOR INFO	SHORT	CHB					D	CPA1	SALEABLE	RESTRICTED	1	2	3
KEYING OPTION A, BLACK	34900-3124	-40 TO 125	CONTACT MOLEX FOR INFO	SHORT	CHB					A	CPA1	SALEABLE	RESTRICTED	1	2	3
KEYING OPTION D, STONE GRAY	34900-3123	-40 TO 125	2	SHORT	CHB				D		CPA1	TOOLED BUT NOT VALIDATED		1	2	3
KEYING OPTION C, DARK GRAY	34900-3122	-40 TO 125	2	SHORT	CHB				C		CPA1	TOOLED BUT NOT VALIDATED		1	2	3
KEYING OPTION B, LIGHT GRAY	34900-3121	-40 TO 125	2	SHORT	CHB			B			CPA1	SALEABLE		1	2	3
KEYING OPTION A, BLACK	34900-3120	-40 TO 125	2	SHORT	CHB	A					CPA1	SALEABLE		1	2	3
KEYING OPTION D, YELLOW	34900-3104	-40 TO 125	2	SHORT	CHY				D		CPA1	TOOLED BUT NOT VALIDATED		1	2	3
KEYING OPTION C, YELLOW	34900-3103	-40 TO 125	2	SHORT	CHY				C		CPA1	TOOLED BUT NOT VALIDATED		1	2	3
KEYING OPTION B, YELLOW	34900-3102	-40 TO 125	2	SHORT	CHY			B			CPA1	SALEABLE		1	2	3
KEYING OPTION A, YELLOW	34900-3101	-40 TO 125	2	SHORT	CHY	A					CPA1	SALEABLE		1	2	3
ASSEMBLY DESCRIPTION	PART NUMBER	OPERATING TEMPERATURE	VIBRATION CLASS PER GMW3191 DEC. 2007	OUTER HOUSING SHROUD LENGTH		A	B	C	D	A	D	CPA1	CPA3	STATUS	COMMENTS	DESIGNED TO MATE WITH DEVICE CONNECTION

1X3 RECEPTACLE SEALED ASSEMBLY BOM SHEET 1

RING SEAL	LIGHT BLUE	INHERENTLY LUBRICATED SILICONE	
ISL	NATURAL	SPS/NYLON GF20	
CPA2	RED	PBT GF30	
CPA1	RED	PBT GF30	
TERMINAL HOUSING KEYING OPTION D, Alt.	STONE GRAY	SPS/NYLON GF20	RESTRICTED
TERMINAL HOUSING KEYING OPTION A, Alt.	BLACK	SPS/NYLON GF20	RESTRICTED
TERMINAL HOUSING KEYING OPTION D	STONE GRAY	SPS/NYLON GF20	
TERMINAL HOUSING KEYING OPTION C	DARK GRAY	SPS/NYLON GF20	
TERMINAL HOUSING KEYING OPTION B	LT. GRAY	SPS/NYLON GF20	
TERMINAL HOUSING KEYING OPTION A	BLACK	SPS/NYLON GF20	
CONNECTOR HOUSING	BLACK	SPS/NYLON GF20	UPDATED LATCH
CONNECTOR HOUSING	YELLOW	SPS/NYLON GF20	UPDATED LATCH
CONNECTOR HOUSING	BLACK	SPS/NYLON GF20	
CONNECTOR HOUSING	YELLOW	SPS/NYLON GF20	
WIRE DRESS COVER STRAIGHT	BLACK	PA66	SOLD SEPARATELY SEE SD-160091-0001
WIRE DRESS COVER RIGHT	BLACK	PA66	
WIRE DRESS COVER LEFT	BLACK	PA66	
DESCRIPTION	COLOR	MATERIAL	COMMENTS

BOM / APPLICABLE COMPONENTS TABLE

ABREVIATION	COMPONENT
CHY	CONNECTOR HOUSING YELLOW
CHB	CONNECTOR HOUSING BLACK
A	TERMINAL HOUSING KEY A
B	TERMINAL HOUSING KEY B
C	TERMINAL HOUSING KEY C
D	TERMINAL HOUSING KEY D
CPA1	CPA VERSION 1
CPA2	CPA VERSION 2
ISL	ISL
R	RING SEAL
1	USCAR INTERFACE 120-S-003-1-Z01 SEE NOTE 1f FOR WEBSITE
2	MOLEX INLINE BLADE CONNECTOR E-34899-2001
3	USCAR INTERFACE 120-S-003-1-Z02 SEE NOTE 1f FOR WEBSITE

QUALITY SYMBOLS	THIS DRAWING CONTAINS INFORMATION THAT IS PROPRIETARY TO MOLEX ELECTRONIC TECHNOLOGIES, LLC AND SHOULD NOT BE USED WITHOUT WRITTEN PERMISSION			
	2020/09/11 DRWN: GELLIOTTO1	2020/09/15 CHKD: MVANSLAMBROU	2020/09/15 REV APPR: MVANSLAMBROU	GENERAL TOLERANCES (UNLESS SPECIFIED)
	DIMENSION UNITS		SCALE	molex®
	mm		5:1	
	DRWN BY		DATE	1.2MM 1X2, 1X3 RECPT. SEALED ASSEMBLY CABLE SEAL 621905: ADDED CPA2 PNS, RE-ADDED PNS USING TERMINAL H
	MVANSLAMBROU		2012/02/15	
	CHKD BY		DATE	PRODUCT CUSTOMER DRAWING
			2013/11/06	
	APPR BY		DATE	SERIES MATERIAL NUMBER CUSTOMER
	GGA		2012/12/13	
	DRAWING SIZE		THIRD ANGLE PROJECTION	34900 9999999999 GENERAL MARKET
	D			
	DRAFT WHERE APPLICABLE MUST REMAIN WITHIN DIMENSIONS			DOCUMENT NUMBER DOC TYPE DOC PART SHEET NUMBER
	C8			SD-34900-2001 PSD 001 6 OF 7

OBSOLETE PART NUMBERS

34900-2023	OBSOLETE
34900-2022	OBSOLETE
34900-2021	OBSOLETE
34900-2020	OBSOLETE
34900-2004	OBSOLETE
34900-2003	OBSOLETE
ASSEMBLY PART NUMBERS	STATUS

1X2

34900-3023	OBSOLETE
34900-3022	OBSOLETE
34900-3021	OBSOLETE
34900-3020	OBSOLETE
34900-3004	OBSOLETE
34900-3003	OBSOLETE
34900-3002	OBSOLETE
34900-3001	OBSOLETE
ASSEMBLY PART NUMBERS	STATUS

1X3

THIS DRAWING CONTAINS INFORMATION THAT IS PROPRIETARY TO MOLEX ELECTRONIC TECHNOLOGIES, LLC AND SHOULD NOT BE USED WITHOUT WRITTEN PERMISSION									
DIMENSION UNITS	SCALE	Material:		molex			1.2MM 1X2, 1X3 RECPT. SEALED ASSEMBLY CABLE SEAL 621905: ADDED CPA2 PNS, RE-ADDED PNS USING TERMINAL H		
mm	1:1	Heat treat:							
GENERAL TOLERANCES (UNLESS SPECIFIED)		Finish:		PRODUCT CUSTOMER DRAWING					
ANGULAR TOL ± °		CURRENT REV DESC:							
4 PLACES	±	EC NO: 645203		DOCUMENT NUMBER: SD-34900-2001 DOC TYPE: PSD DOC PART: 001 REVISION: C8					
3 PLACES	±	DRWN: GELLIOTT01 2020/09/11							
2 PLACES	± 0.1	CHK'D: MVANSLAMBROU 2020/09/15		MATERIAL NUMBER: GENERAL MARKET SHEET NUMBER: 7 OF 7					
1 PLACE	± 0.2	APPR: MVANSLAMBROU 2020/09/15							
0 PLACES	± 0.5	ORIG DRWN BY: MVANSLAMBROU 2012/02/15							
TOOL NUMBER	THIRD ANGLE PROJECTION	DRAWING	SERIES	D-SIZE			34900		