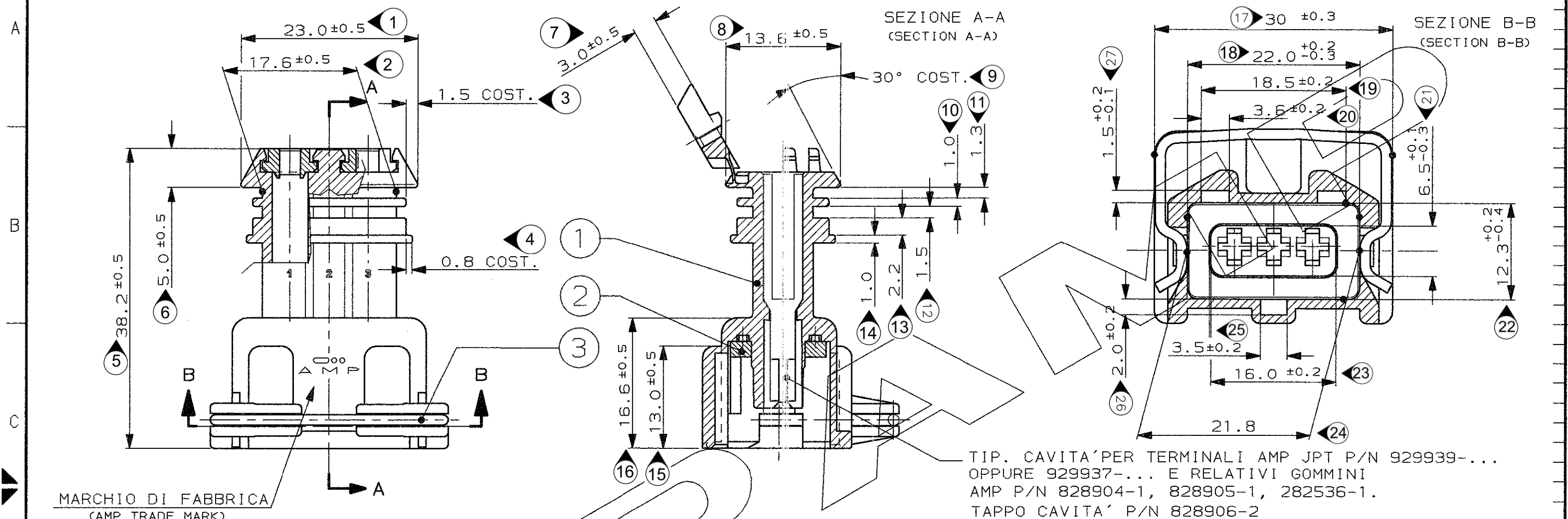


CONNETTORE TIPO A (CON MOLLA DI RITEGNO ESTERNA)
CONNECTOR TYPE B (WITH INTERNAL SPRING)

SCALA NON IMPEGNATIVA
(DO NOT SCALE)
DIMENSIONI IN mm
(DIMENSIONS IN mm)

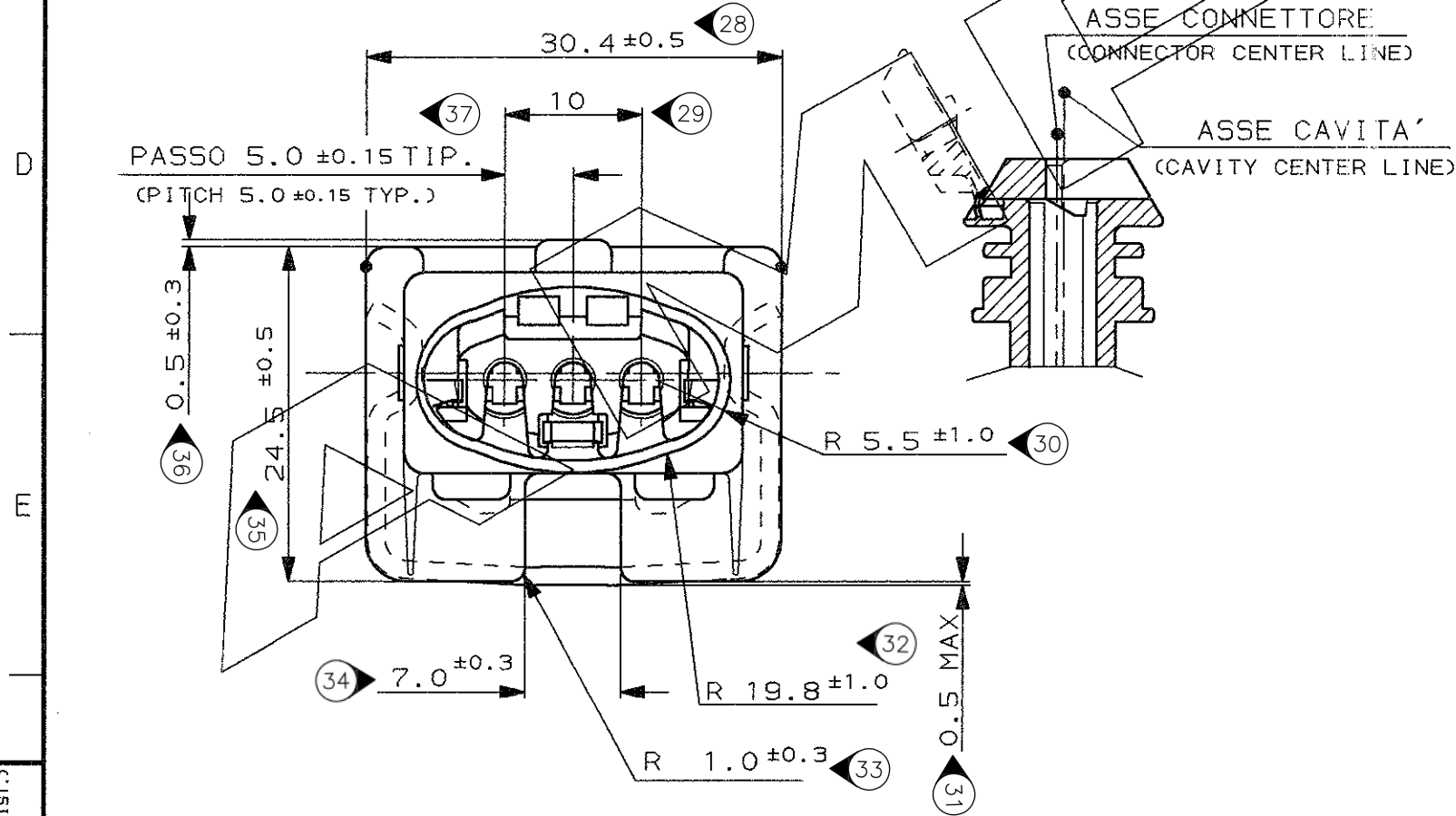
METRIC

PROIEZIONE EUROPEA
(EUROPEAN PROJECTION)



MARCHIO DI FABBRICA
(AMP TRADE MARK)

TIP. CAVITA' PER TERMINALI AMP JPT P/N 929939-...
OPPURE 929937-... E RELATIVI GOMMINI
AMP P/N 828904-1, 828905-1, 282536-1.
TAPPO CAVITA' P/N 828906-2
(TYP. CAV. FOR JPT CONT. P/N 929939-.. A/O 929937-.. AND REL.
SINGLE WIRE SEAL P/N 828904-1, 828905-1, 282536-1
CAVITY PLUG P/N 828906-2)



MARRONE (BROWN)	282729-6	E1	3	//////	ACCIAIO INOX (STAINLESS STEEL)	MOLLA (SPRING)						
BLU (BLUE)	282729-5				2	NATURALE (NATURAL)	GOMMA SILICONE (SILICONE RUBBER)	GUARNIZIONE (SEALING)				
VERDE (GREEN)	282729-4						1	//////	PA 6.6	BLOCCETTO (HOUSING)		
NATURALE (NATUR)	282729-3								1	//////		
GRIGIO (GREY)	282729-2											
NERO (BLACK)	282729-1											
COLORE (COLOR)	NUMERO (PART. N°)	ASSY REV.	N° (ITEM)	FINITURA / COLORE (FINISH / COLOUR)	MATERIALE (MATERIAL)	DESCRIZIONE (DESCRIPTION)						

CUSTOMER DWG. FOR REFERENCE ONLY
DISEGNO PER CLIENTE SOLO PER RIFERIMENTO

THIS DRAWING IS UNPUBLISHED
© COPYRIGHT 19 BY AMP INCORPORATED, HARRISBURG, PA. ALL INTERNATIONAL RIGHT RESERVED. AMP PRODUCTS MAY BE COVERED BY U.S. AND FOREIGN PATENT AND/OR PATENT PENDING
TOLLERANZE, SE NON DIVERSAMENTE SPECIFICATO (TOLERANCES, UNLESS OTHERWISE SPECIFIED)
DIAM. ISOLANTE (INS. DIA. RANGE) 1.5-3.0 mm (RED. INS. CABLE)
RANGO FILO (WIRE RANGE) 0.5-2.5 mm²
SCALA (SCALE) ---

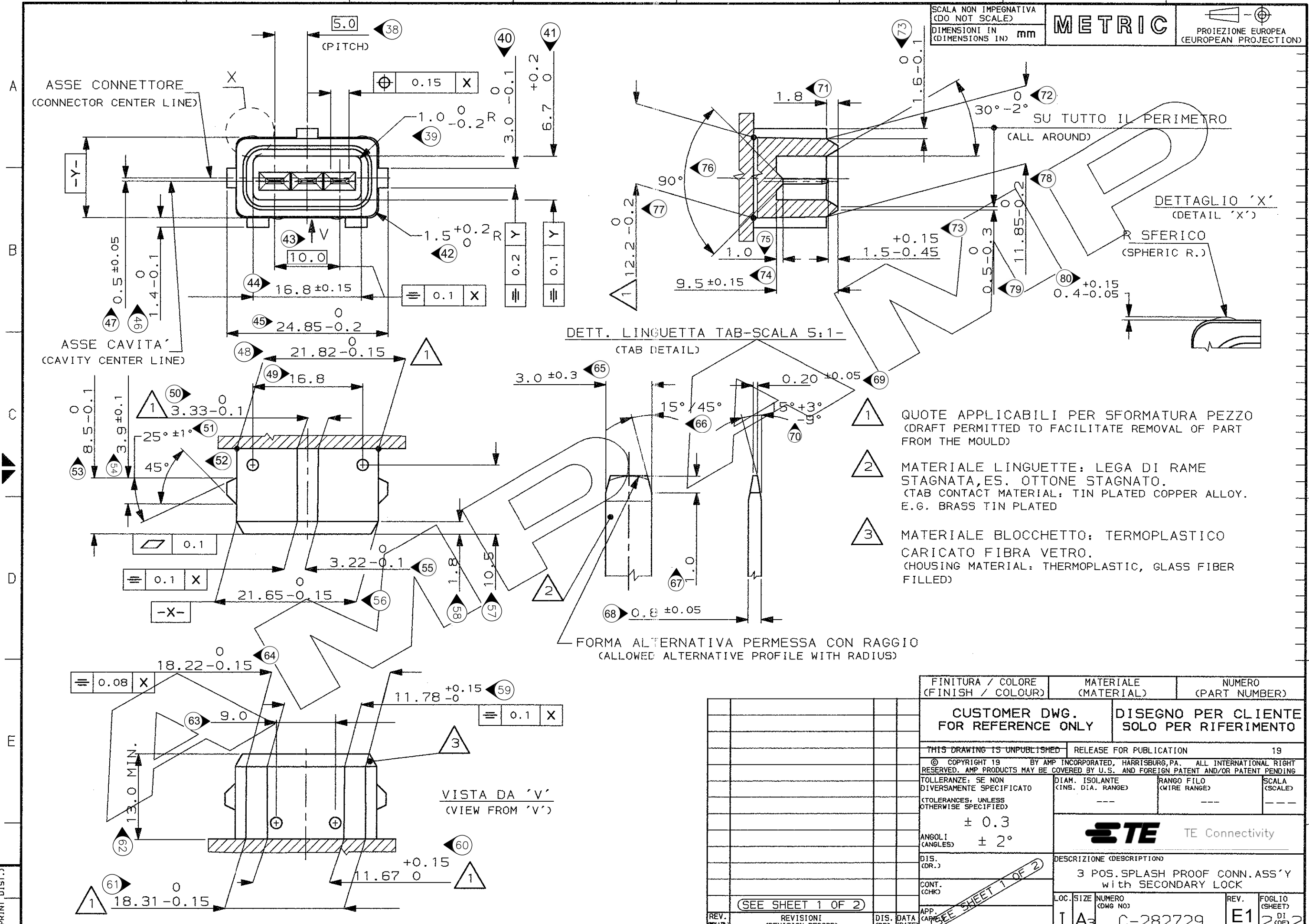
E1	REVISED PER ECO-16-003585	MP	15MAR 2016	± 0.3	
E	ECR-14-003472	MP	24MAR 2014	ANGOLI (ANGLES) ± 2°	
D	REVISED FOR ET00-0385-99	M.P.	01	DIS. 19 MAY 95 (DR.)	M. PALMA
C	RELEASED FOR PRODUCTION -6, WITH EC ET00-0222-98	R.M.			
B	REVISED AND IN PRODUCTION EC ET00-0075-96	A.B.	12-2 1996	CONT. 19 MAY 95 (CHK)	C. TARTARI
A	FIRST ISSUE WITH ECN ET00-0217-95	M.P.	15-9 1995		
REV.	REVISIONI (REVISION RECORD)	DIS. (DR)	DATA (DATE)	APP. (APP.)	

STE TE Connectivity

DESCRIZIONE (DESCRIPTION)
3 POS. SPLASH PROOF CONN. ASS'Y with SECONDARY LOCK

LOC. SIZE (DWG NO) I A3
NUMERO (DWG NO) C-282729
REV. E1
FOGLIO (SHEET) 1 DI (OF) 2

DISTRIBUZIONE (PRINT DIST.)



- QUOTE APPLICABILI PER SFORMATURA PEZZO (DRAFT PERMITTED TO FACILITATE REMOVAL OF PART FROM THE MOULD)
- 1
- 2 MATERIALE LINGUETTE: LEGA DI RAME STAGNATA, ES. OTTONE STAGNATO. (TAB CONTACT MATERIAL: TIN PLATED COPPER ALLOY. E.G. BRASS TIN PLATED)
- 3 MATERIALE BLOCCHETTO: TERMOPLASTICO CARICATO FIBRA VETRO. (HOUSING MATERIAL: THERMOPLASTIC, GLASS FIBER FILLED)

FORMA ALTERNATIVA PERMESSA CON RAGGIO (ALLOWED ALTERNATIVE PROFILE WITH RADIUS)

VISTA DA 'V' (VIEW FROM 'V')

FINITURA / COLORE (FINISH / COLOUR)	MATERIALE (MATERIAL)	NUMERO (PART NUMBER)
CUSTOMER DWG. FOR REFERENCE ONLY	DISEGNO PER CLIENTE SOLO PER RIFERIMENTO	
THIS DRAWING IS UNPUBLISHED		RELEASE FOR PUBLICATION 19
© COPYRIGHT 19 BY AMP INCORPORATED, HARRISBURG, PA. ALL INTERNATIONAL RIGHT RESERVED. AMP PRODUCTS MAY BE COVERED BY U.S. AND FOREIGN PATENT AND/OR PATENT PENDING		
TOLLERANZE: SE NON DIVERSAMENTE SPECIFICATO (TOLERANCES: UNLESS OTHERWISE SPECIFIED)	DIAM. ISOLANTE (INS. DIA. RANGE)	RANGO FILO (WIRE RANGE)
± 0.3	---	---
ANGOLI (ANGLES)	SCALA (SCALE)	
± 2°	---	
DIS. (DR.)	DESCRIZIONE (DESCRIPTION)	
CONT. (CHK)	3 POS. SPLASH PROOF CONN. ASS'Y with SECONDARY LOCK	
APP. (APP.)	LOC. (LOC.)	SIZE (SIZE)
SEE SHEET 1 OF 2	I A3	NUMERO (DWG NO) C-282729
REV. (REV.)	REVISIONI (REVISION RECORD)	DIS. DATA (DR. DATE)
		REV. (REV.) E1
		FOGLIO (SHEET) 2 DI (OF) 2

DISTRIBUZIONE (PRINT DIST.)

Mouser Electronics

Authorized Distributor

Click to View Pricing, Inventory, Delivery & Lifecycle Information:

[TE Connectivity:](#)

[282729-1](#)