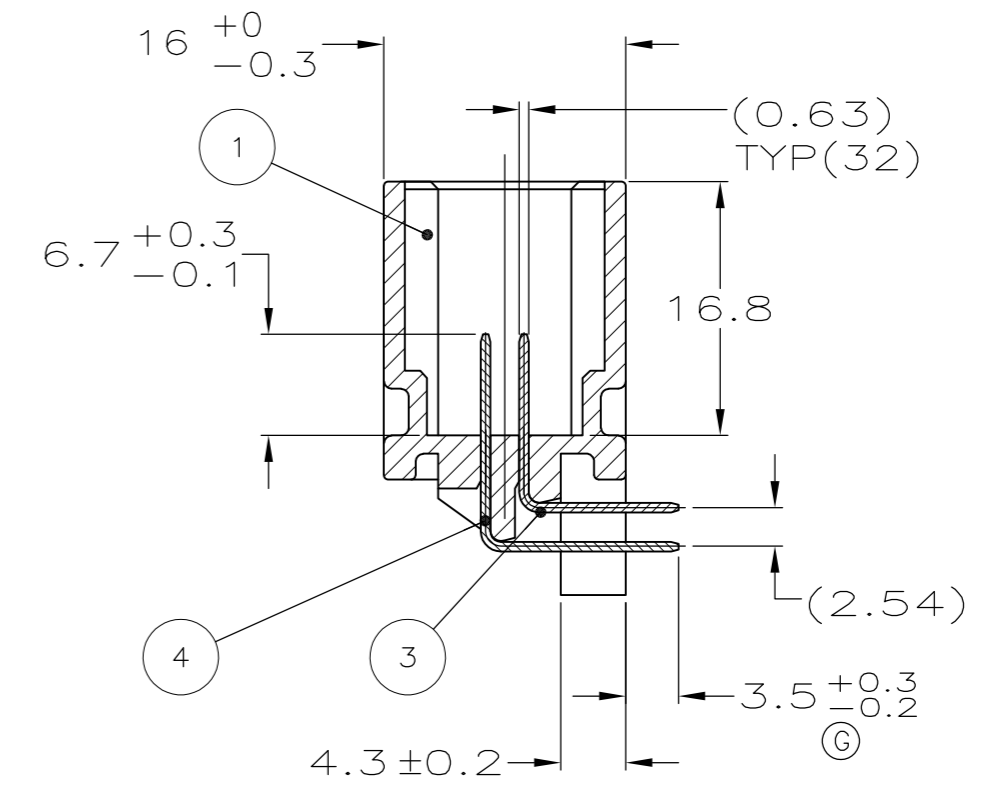
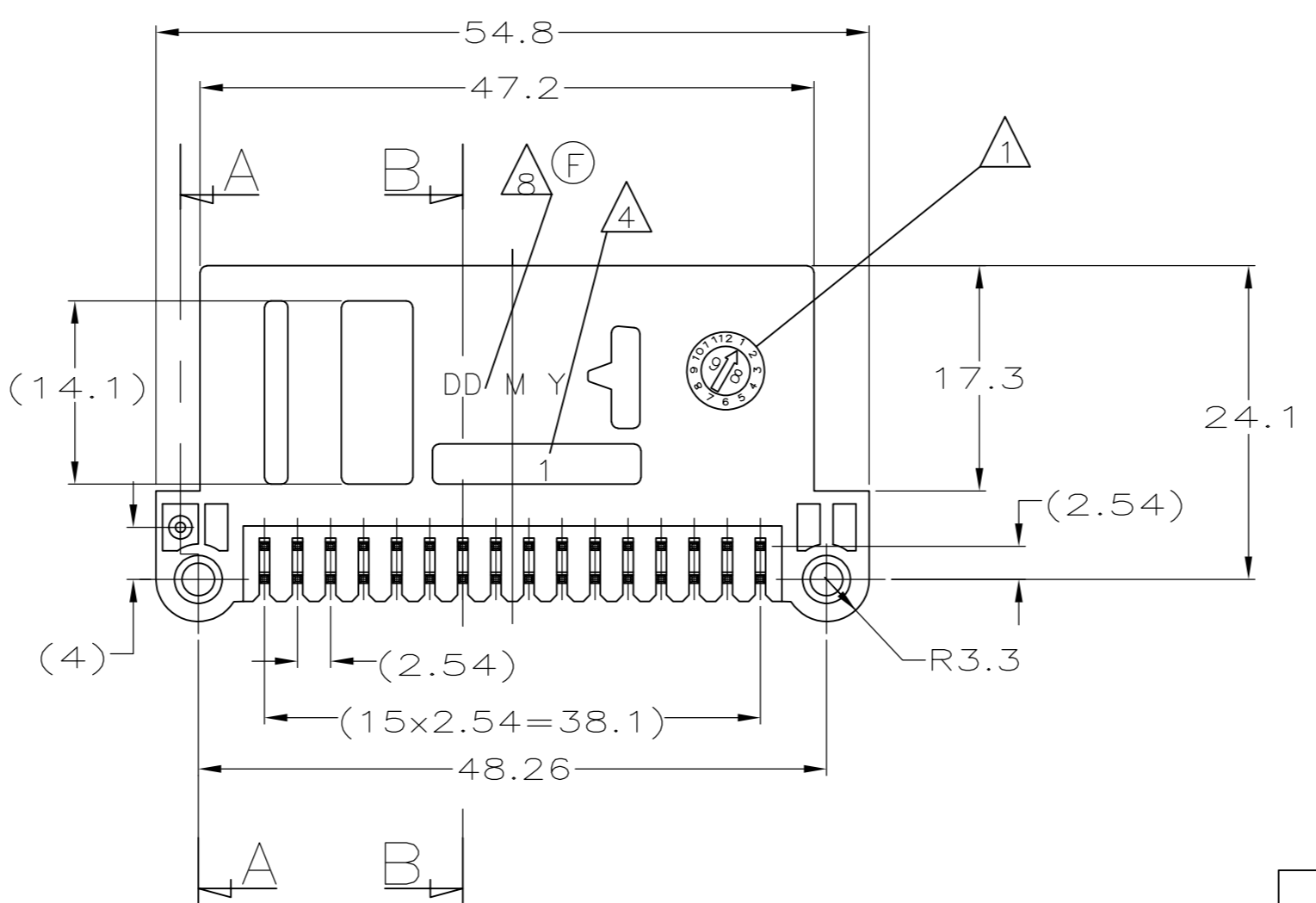
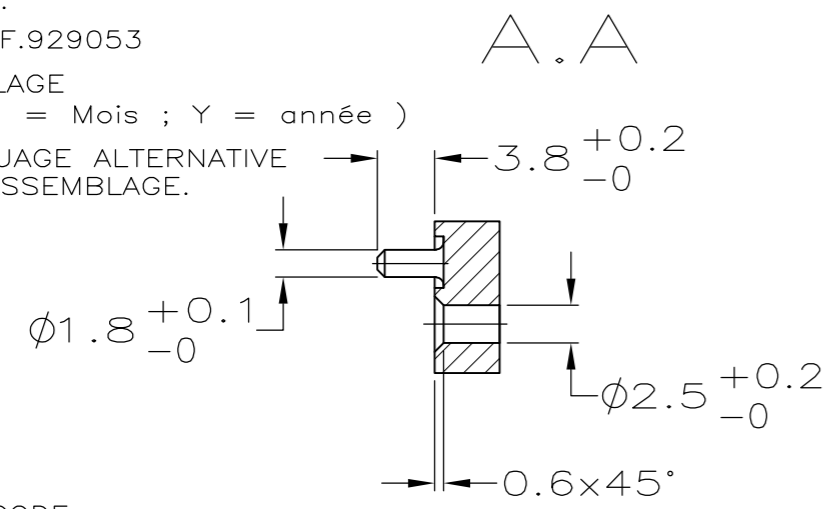


THIS DRAWING IS UNPUBLISHED.
 DIFFUSION RESTREINTE AMP
 © COPYRIGHT - By TE
 RELEASED FOR PUBLICATION
 ALL RIGHTS RESERVED.
 TOUS DROITS RESERVES.

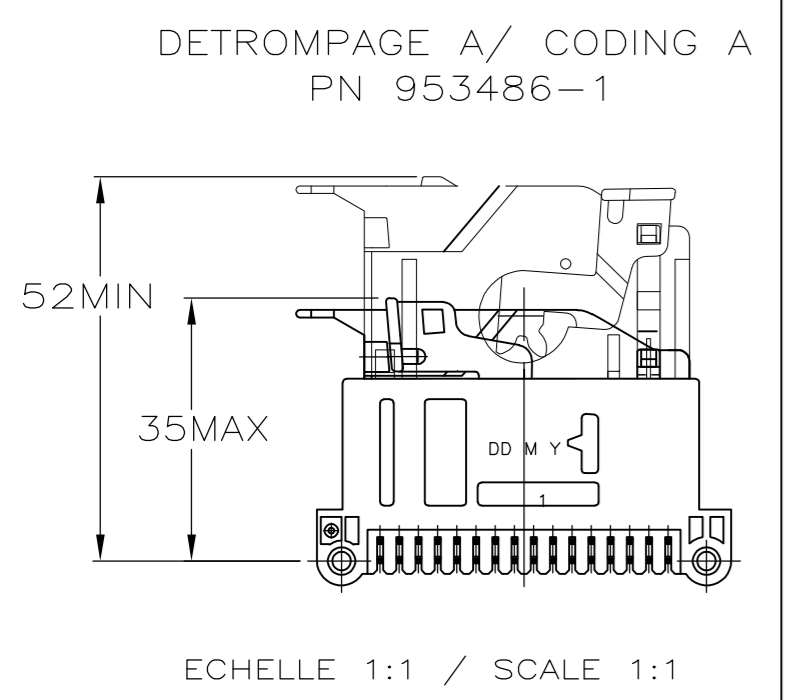
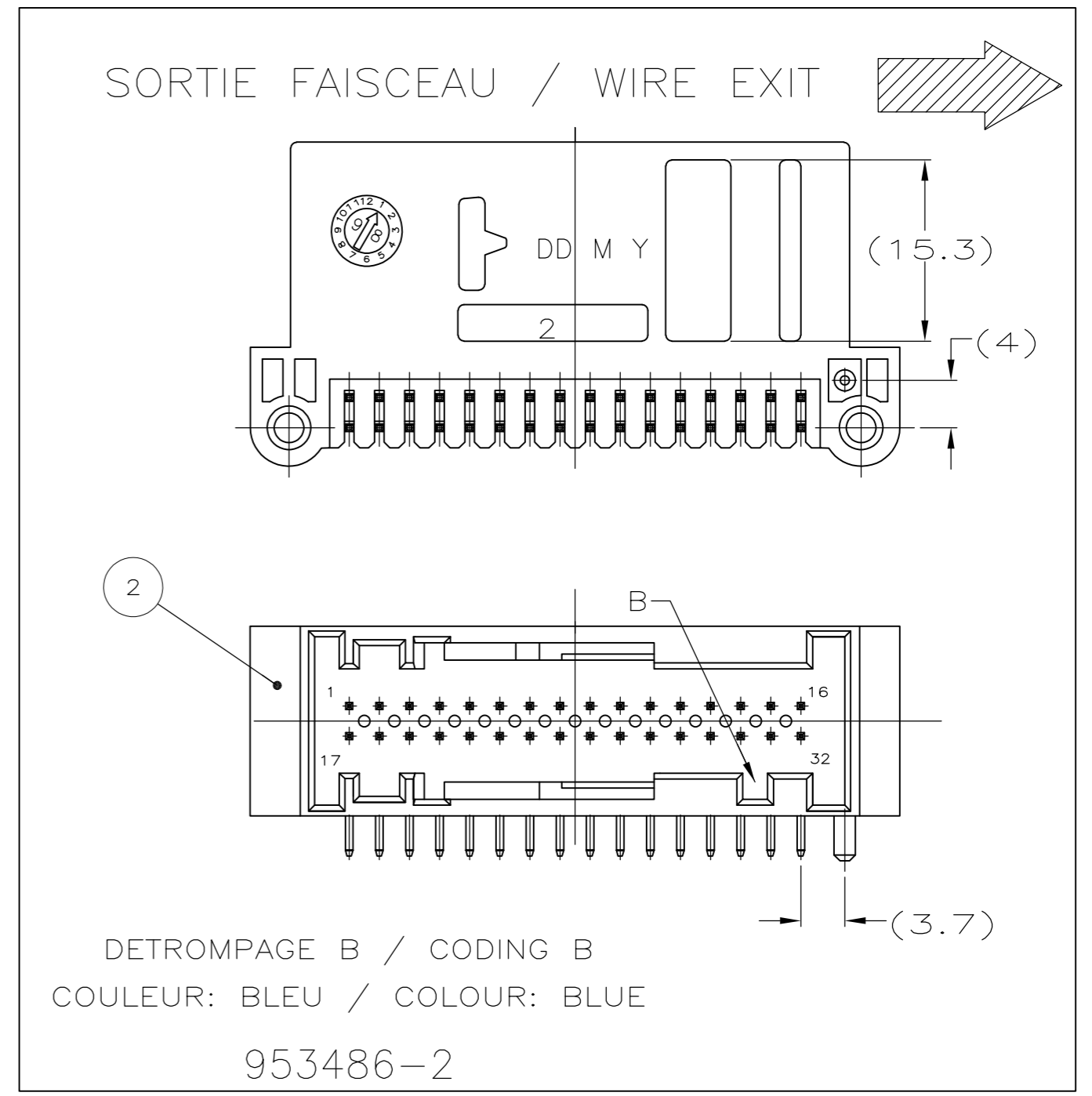
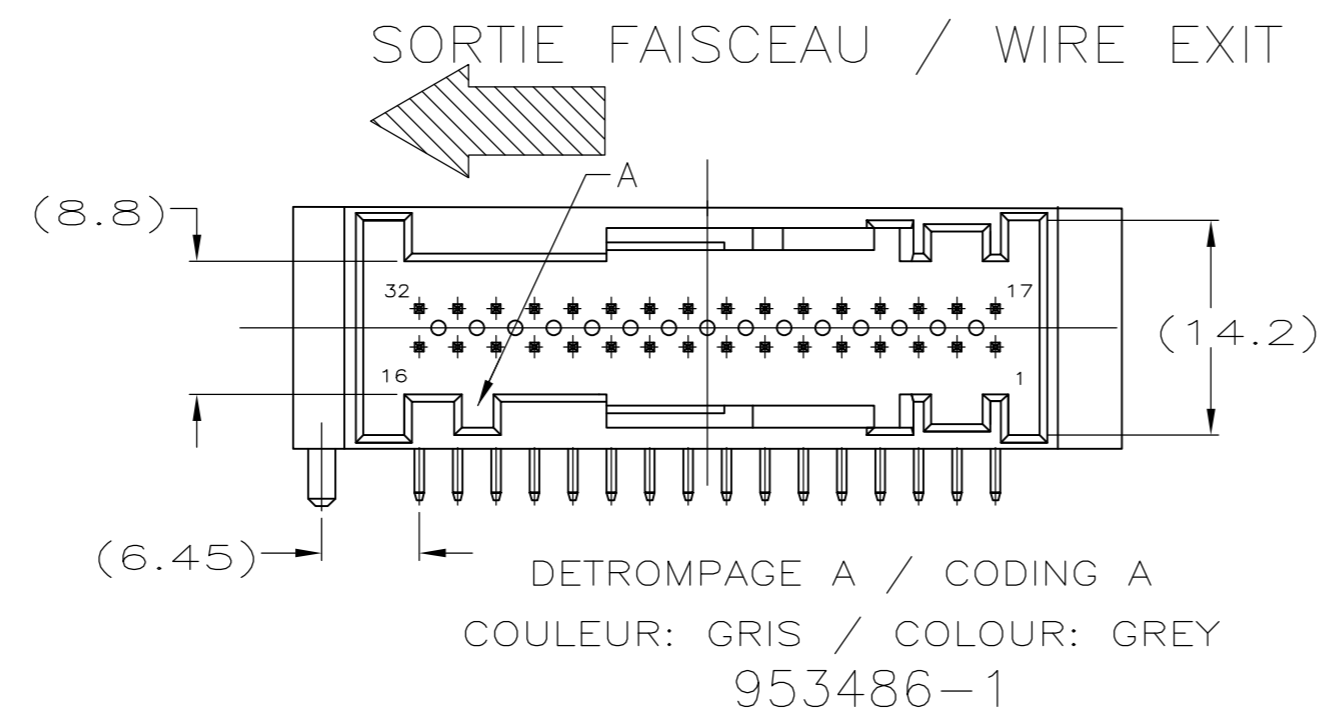
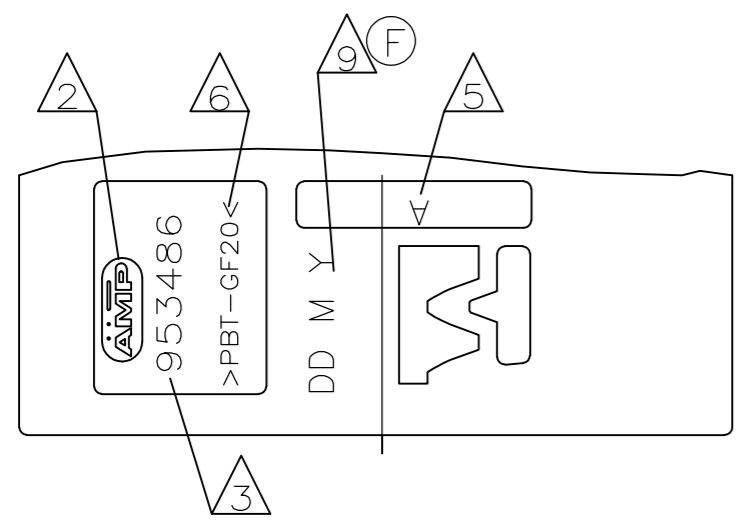
LOC	DIST	REVISIONS				
P	LTR	REV	DESCRIPTION MODIFICATIONS	DATE	DWN DESS	APVD APP.
	E		UP DATE THE DRAWING	17-JUN-04	NT.N	J.L
	F		POSITION CHANGE FOR THE ASSY DATE CODE	05-AUG-09	NT.N	J.L
	G		3.5 +0.3/-0.2 WAS 3.5 +/-0.2	06-OCT-09	NT.N	J.L
	H		ADDED THE P/NS 953486-5 & -6	27OCT14	NT.N	J.L

- NOTES:
- 1 DATE DE MOULAGE
 - 2 LOGO DE TE
 - 3 REFERENCE DU PRODUIT ASSEMBLE
 - 4 N° D'EMPREINTE DU MOULE
 - 5 REVISION DU MOULE
 - 6 MATIERE

- 7 CONTRE-PARTIE:
 CONNECTEUR REF.929053
- 8 DATE D'ASSEMBLAGE
 (DD = Jour ; M = Mois ; Y = année)
- 9 ZONE DE MARQUAGE ALTERNATIVE
 DE LA DATE D'ASSEMBLAGE.



- NOTES:
- 1 HOUSING DATE CODE
 - 2 TE LOGO
 - 3 ASSY PART NUMBER
 - 4 CAVITY MARKING
 - 5 REVISION STATUS [A] FOR PN953486-1 [B] FOR PN953486-2
 - 6 MATERIAL REFERENCE
 - 7 MATING PART:
CONNECTOR PN 929053
 - 8 ASSY DATE CODE
(DD = Day ; M = Month ; Y = Year)
 - 9 ALTERNATIVE AREA FOR ASSY DATE MARKING.



ASSY. PN	16	16	1	-	QTY	MATERIAL	DESIGNATION / NAME	COULEUR / COLOR	ITEM
953486-2	16	16	1	-		CuSn6	MQS LONG CONTACT	POST ETAME / POST TIN	4
953486-1	16	16	1	-		CuSn6	MQS SHORT CONTACT	POST ETAME / POST TIN	3
						PBT GF20	BOITIER / HOUSING	BLEU / BLUE	2
						PBT GF20	BOITIER / HOUSING	GRIS / GREY	1

THIS DRAWING IS A CONTROLLED DOCUMENT.
 CE SCHÉMA EST UN DOCUMENT CONTROLÉ

TOLERANCES UNLESS OTHERWISE SPECIFIED: (SUIV NB DE DECIMALES):
 0-PLC/ZDEE ± -
 1-PLC/ZDEE ± 0.3
 2-PLC/ZDEE ± -
 3-PLC/ZDEE ± -
 4-PLC/ZDEE ± -
 ANGLES ± 5°

FINISH FINITION -

WEIGHT MASSES APPROX 10.7 g

CUSTOMER DRAWING/PLAN CLIENT UNIFORMEMENT POUR REFERENCE

SCALE ECHELLE 2:1

SHEET FEUILLE 1 DE 7

REV H

TE Connectivity

EMBASSE 32V MQS COUDEE AVEC OREILLES
 32W MQS RIGHT ANGLE HEADER WITH EARS

SIZE FORMAT A2

CAGE CODE 00779

DRAWING NO C=953486

RESTRICTED TO -

THIS DRAWING IS UNPUBLISHED.
 DIFFUSION RESTREINTE AMP
 © COPYRIGHT - By TE
 RELEASED FOR PUBLICATION
 ALL RIGHTS RESERVED.
 TOUS DROITS RESERVES.

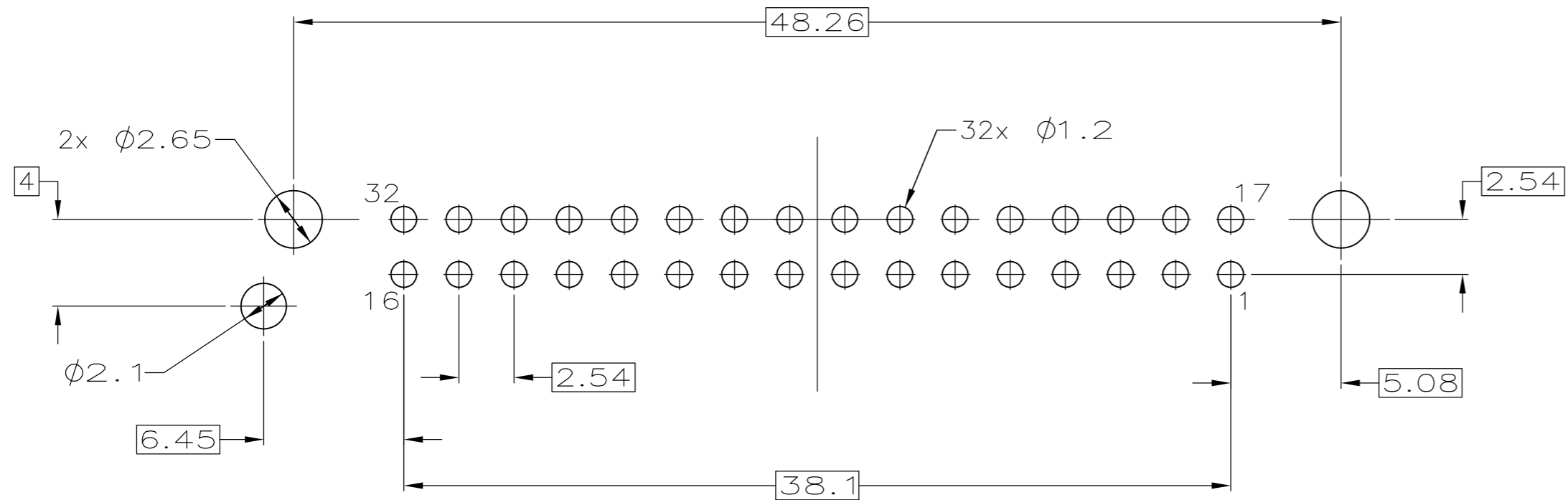
LOC	DIST	REVISIONS			
P	LTR REV	DESCRIPTION MODIFICATIONS	DATE	DWN DESS	APVD APP
F	7	SEE SHEET 1	-	-	-

RECOMMANDATION IMPLANTATION CI

RECOMMENDED PCB LAYOUT

VUE DE DESSUS / VIEW FROM HEADER MOUNTING SIDE

EPAISSEUR CI / PCB THICKNESS : 1.6±0.15



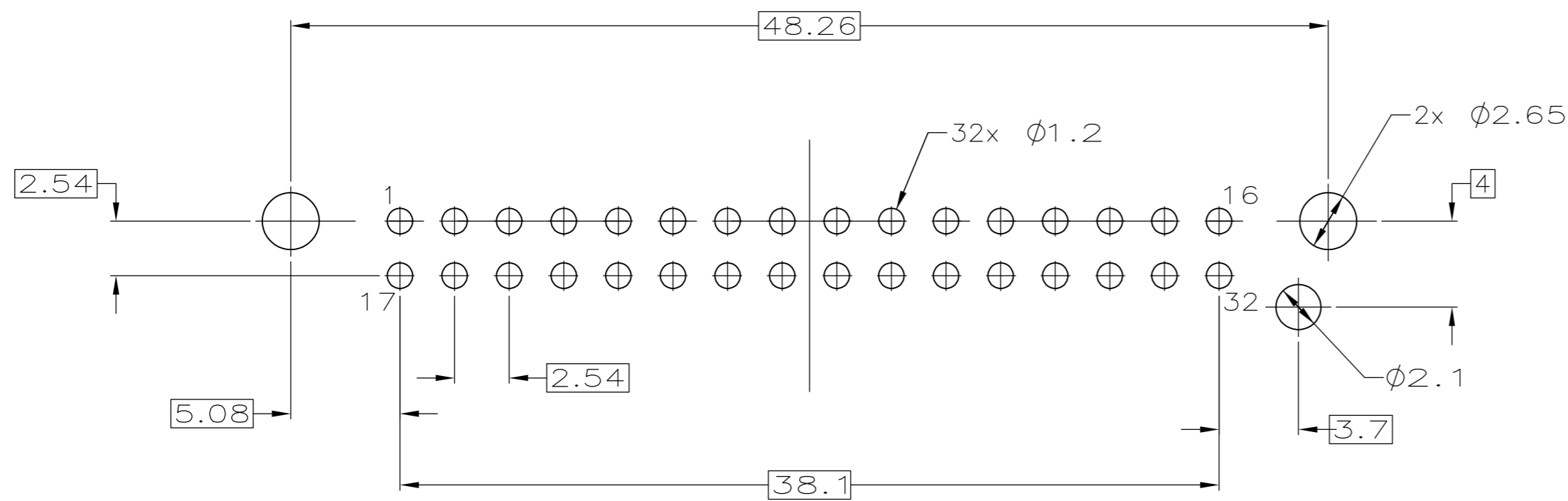
COULEUR: GRIS / COLOUR: GREY

953486-1

2-953486-1

COULEUR: BLEU / COLOUR: BLUE

953486-4



COULEUR: BLEU / COLOUR: BLUE

953486-2

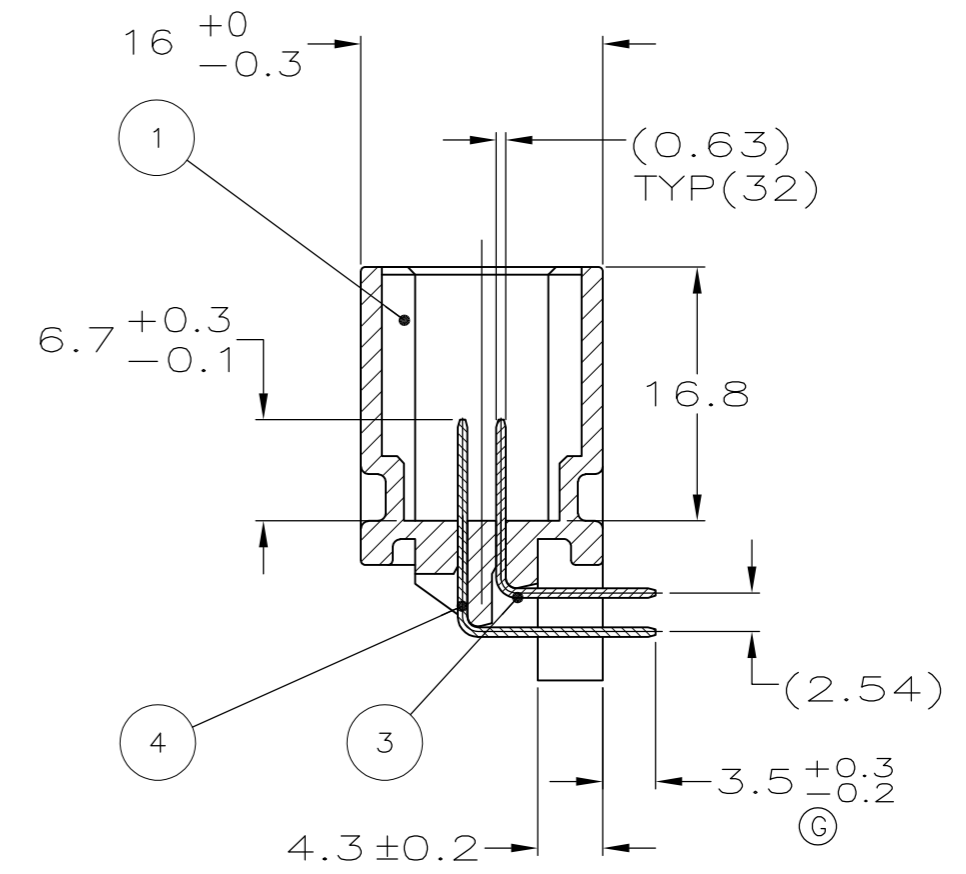
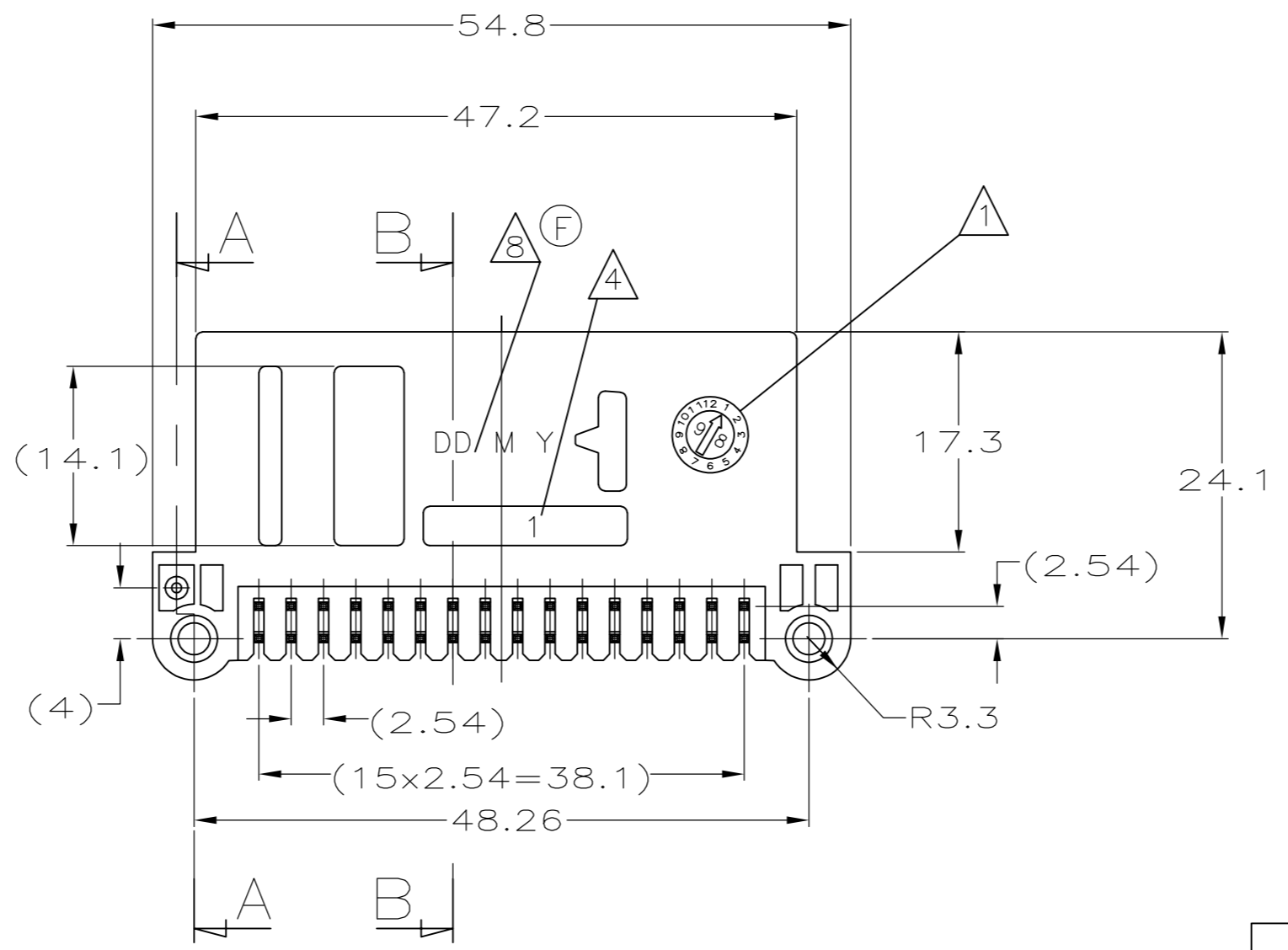
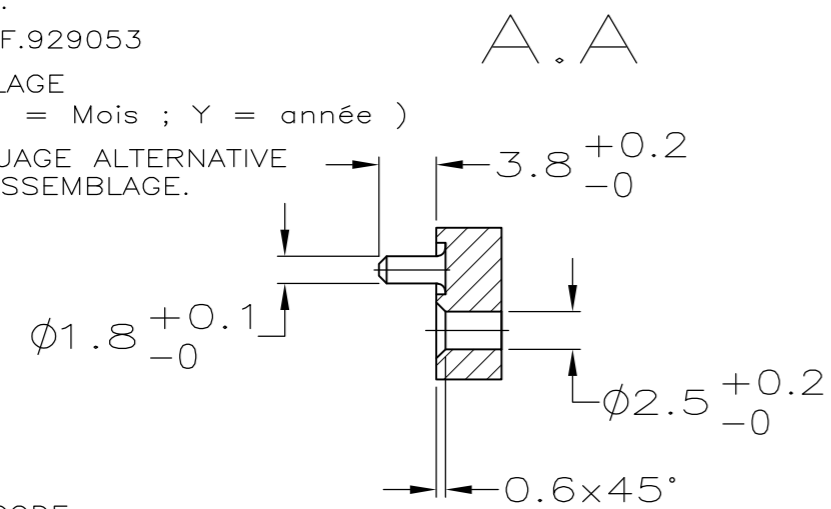
2-953486-2

THIS DRAWING IS A CONTROLLED DOCUMENT. CE SCHÉMA EST UN DOCUMENT CONTROLÉ		DWN/DESSINE Jacques LAQUERBE CHK/VERIFIE J.LAQUERBE APVD/APPROUVE JJ.REVIL 18-JUN-99	01-JUL-98 18-JUN-99	TE Connectivity EMBASE 32V MQS COUDEE AVEC OREILLES 32V MQS RIGHT ANGLE HEADER WITH EARS		
DIMENSIONS: mm	TOLERANCES UNLESS OTHERWISE SPECIFIED: TOLERANCES NON SPECIFIEES (SUIV NB DE DECIMALES): 0-PLC/ZDEE ± - 1-PLC/ZDEE ± 0.3 2-PLC/ZDEE ± - 3-PLC/ZDEE ± - 4-PLC/ZDEE ± - ANGLES ± 5°	PRODUCT SPEC SPEC. PRODUIT 108-15211 APPLICATION SPEC SPEC. APPLICATION	NAME TITRE			
MATERIAL MATIERE	FINISH FINITION	WEIGHT MASSE APPROX. -	SIZE FORMAT A2	CAGE CODE 00779	DRAWING NO No PLAN C=953486	RESTRICTED TO
CUSTOMER DRAWING/PLAN CLIENT		UNIQUEMENT POUR REFERENCE	SCALE EHELLE 4:1	SHEET FEUILLE 2 DE 7	REV H	

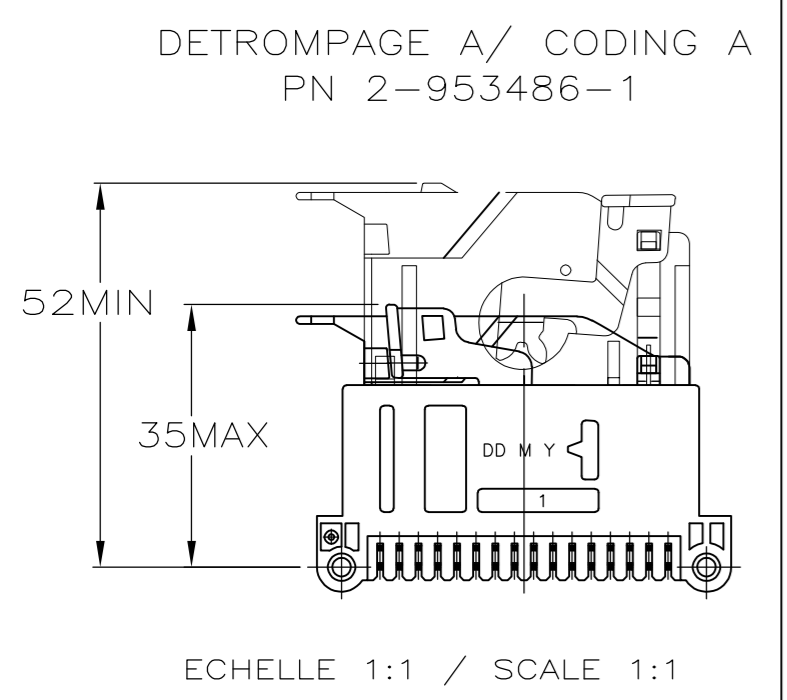
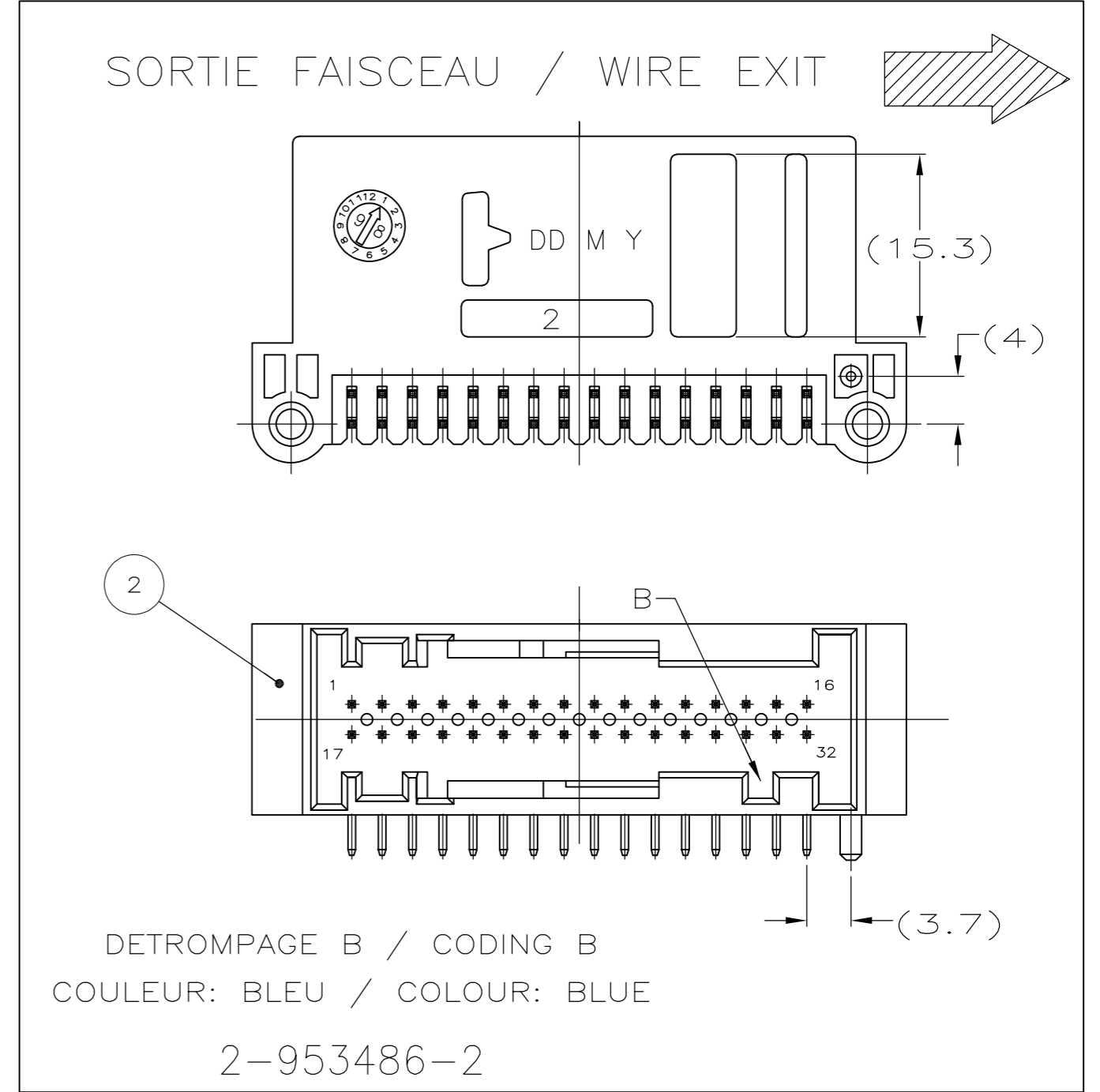
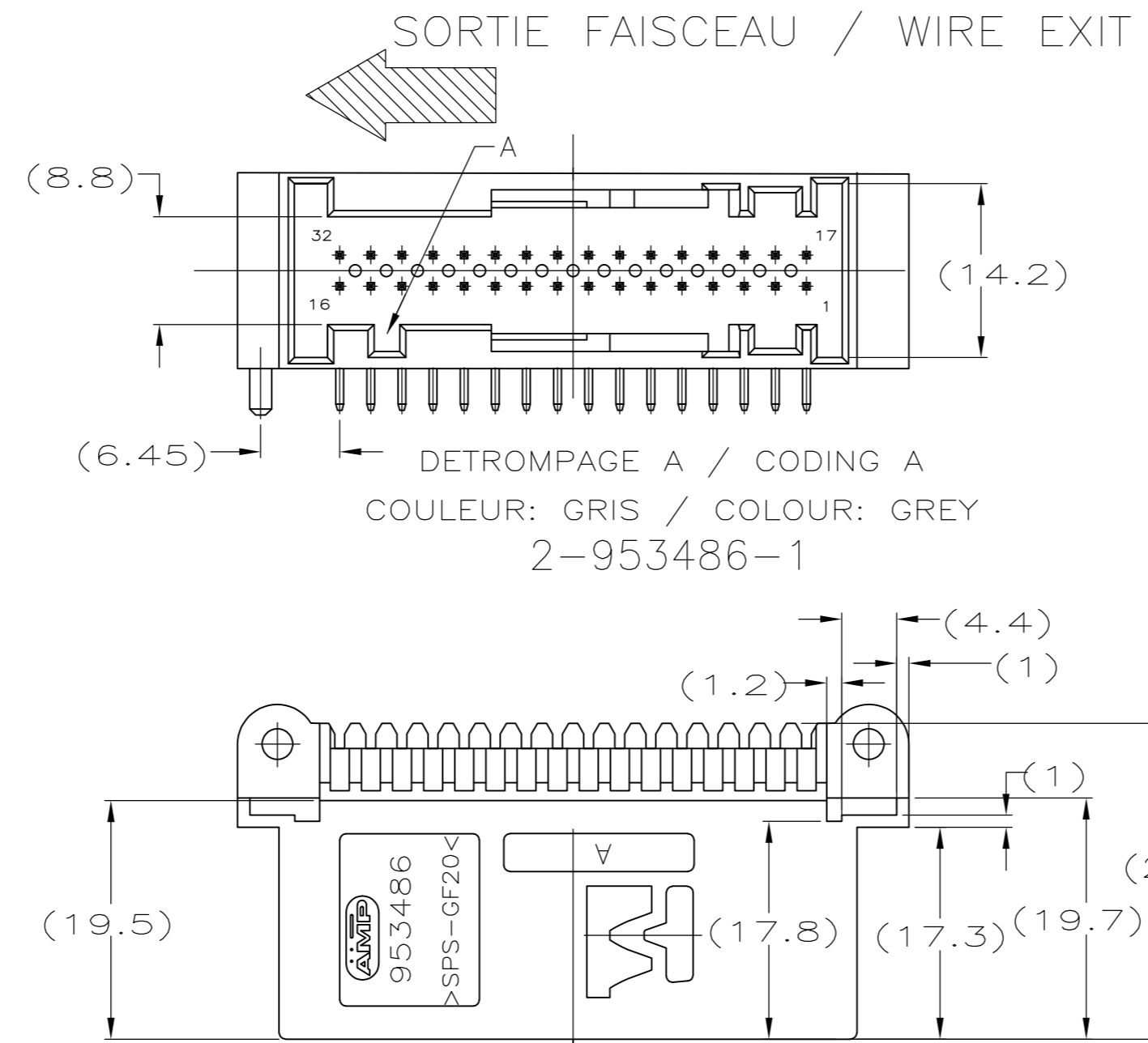
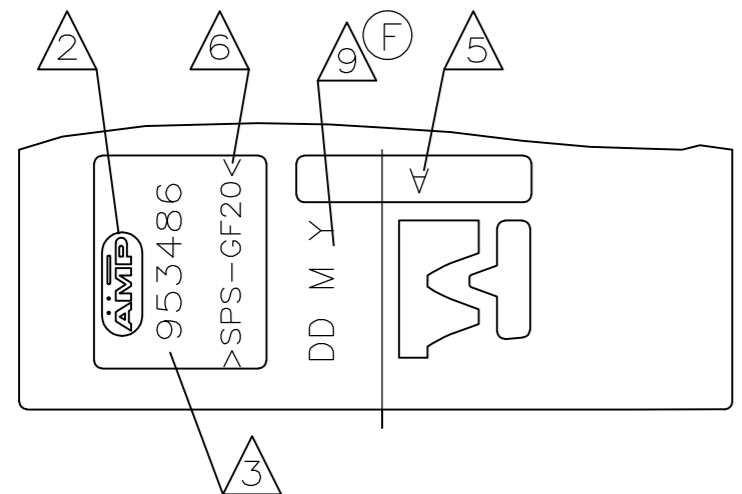
THIS DRAWING IS UNPUBLISHED.
 DIFFUSION RESTREINTE AMP
 © COPYRIGHT - By TE
 RELEASED FOR PUBLICATION
 ALL RIGHTS RESERVED.
 TOUS DROITS RESERVES.

LOC	DIST	REVISIONS						
F	7	P	LTR	REV	DESCRIPTION MODIFICATIONS	DATE	DWN DESS	APVD APP.
		-	-	-	SEE SHEET 1	-	-	-

- NOTES:
- 1 DATE DE MOULAGE
 - 2 LOGO DE TE
 - 3 REFERENCE DU PRODUIT ASSEMBLE
 - 4 N° D'EMPREINTE DU MOULE
 - 5 REVISION DU MOULE
 - 6 MATIERE
 - 7 CONTRE-PARTIE:
CONNECTEUR REF.929053
 - 8 DATE D'ASSEMBLAGE
(DD = Jour ; M = Mois ; Y = année)
 - 9 ZONE DE MARQUAGE ALTERNATIVE DE LA DATE D'ASSEMBLAGE.



- NOTES:
- 1 HOUSING DATE CODE
 - 2 TE LOGO
 - 3 ASSY PART NUMBER
 - 4 CAVITY MARKING
 - 5 REVISION STATUS A FOR PN 2-953486-1
B FOR PN 2-953486-2
 - 6 MATERIAL REFERENCE
 - 7 MATING PART:
CONNECTOR PN 929053
 - 8 ASSY DATE CODE
(DD = Day ; M = Month ; Y = Year)
 - 9 ALTERNATIVE AREA FOR ASSY DATE MARKING.



ASSY. PN	QTY	MATERIAL	DESIGNATION / NAME	COULEUR / COLOR	ITEM
2-953486-2	16	CuSn6	MQS LONG CONTACT	POST ETAME / POST TIN	4
2-953486-1	16	CuSn6	MQS SHORT CONTACT	POST ETAME / POST TIN	3
	1	SPS GF20	BOITIER / HOUSING	BLEU / BLUE	2
	1	SPS GF20	BOITIER / HOUSING	GRIS / GREY	1

THIS DRAWING IS A CONTROLLED DOCUMENT.
 CE SCHÉMA EST UN DOCUMENT CONTROLÉ

TOLERANCES UNLESS OTHERWISE SPECIFIED: (SUIV NB DE DECIMALES):
 0-PLC/DEE ± -
 1-PLC/DEE ± 0.3
 2-PLC/DEE ± -
 3-PLC/DEE ± -
 4-PLC/DEE ± -
 ANGLES ± 5°

FINISH FINITION -

WEIGHT MASSE APPROX 10.0 g

CUSTOMER DRAWING/PLAN CLIENT UNIFORMEMENT POUR REFERENCE

SCALE ECHELLE 2:1

DATE: 25-JAN-00
 DWN/DESSINE: Jacques LAQUERBE
 CHK/VERIFIE: J.LAQUERBE
 APVD/APPROUVE: JJ.REVIL

PRODUCT SPEC SPEC. PRODUIT: 108-15211

APPLICATION SPEC SPEC. APPLICATION: -

TE Connectivity

EMBASSE 32V MQS COUEE AVEC OREILLES
 32W MQS RIGHT ANGLE HEADER WITH EARS

SIZE FORMAT: A2
 CAGE CODE: 00779
 DRAWING NO: C=953486

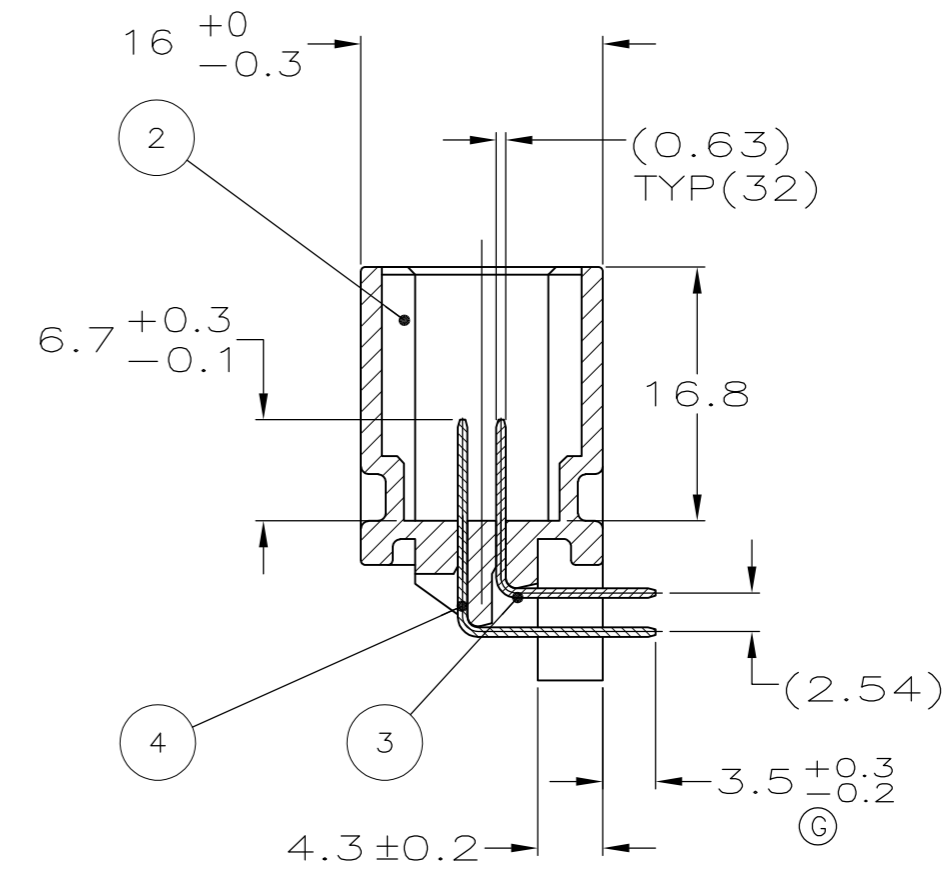
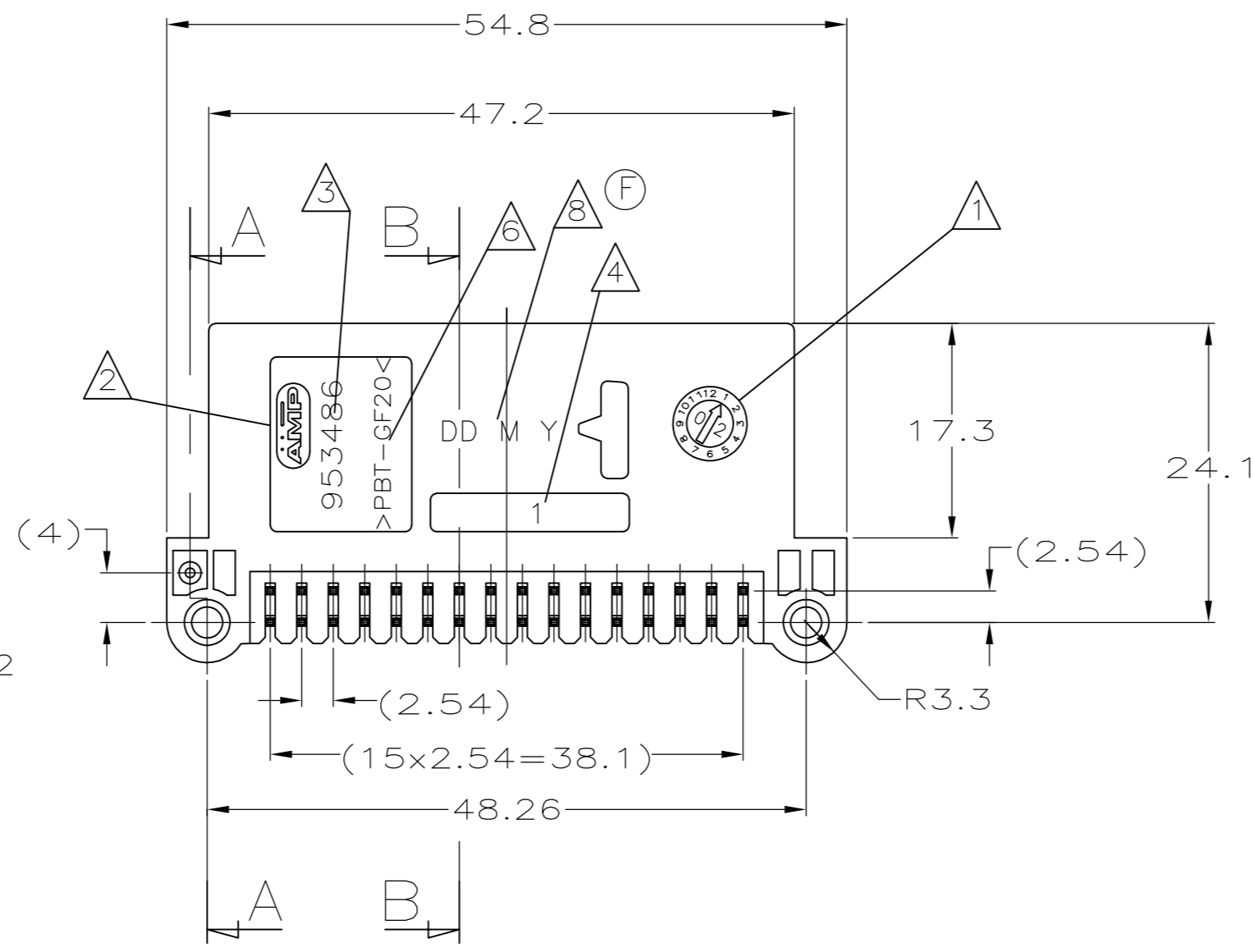
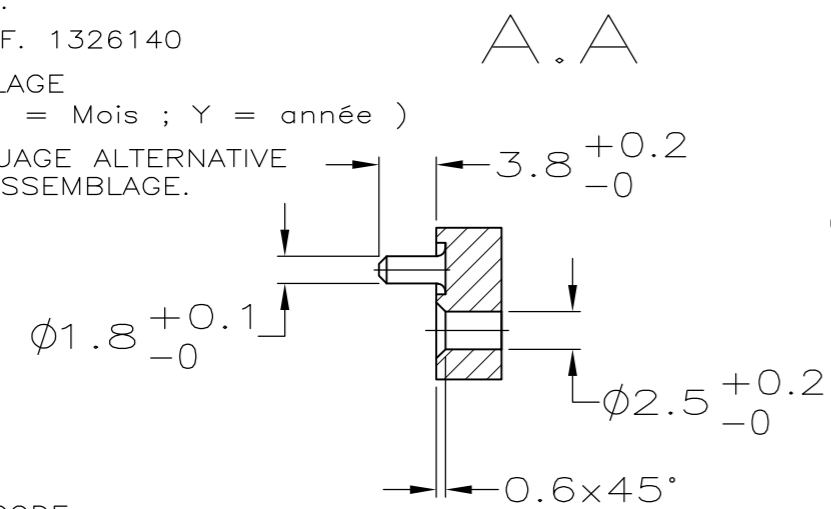
RESTRICTED TO: -

SHEET FEUILLE 3 DE 7
 REV H

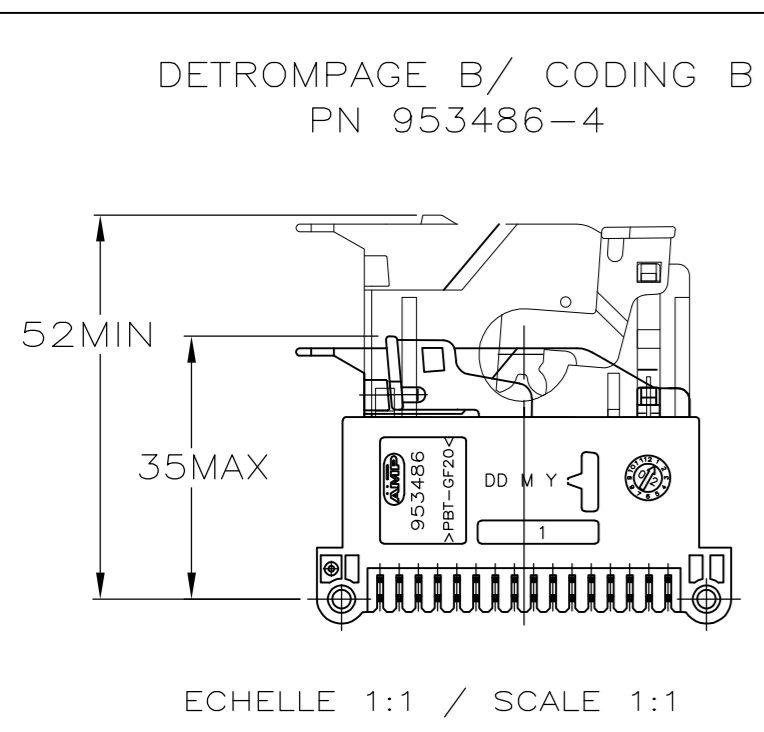
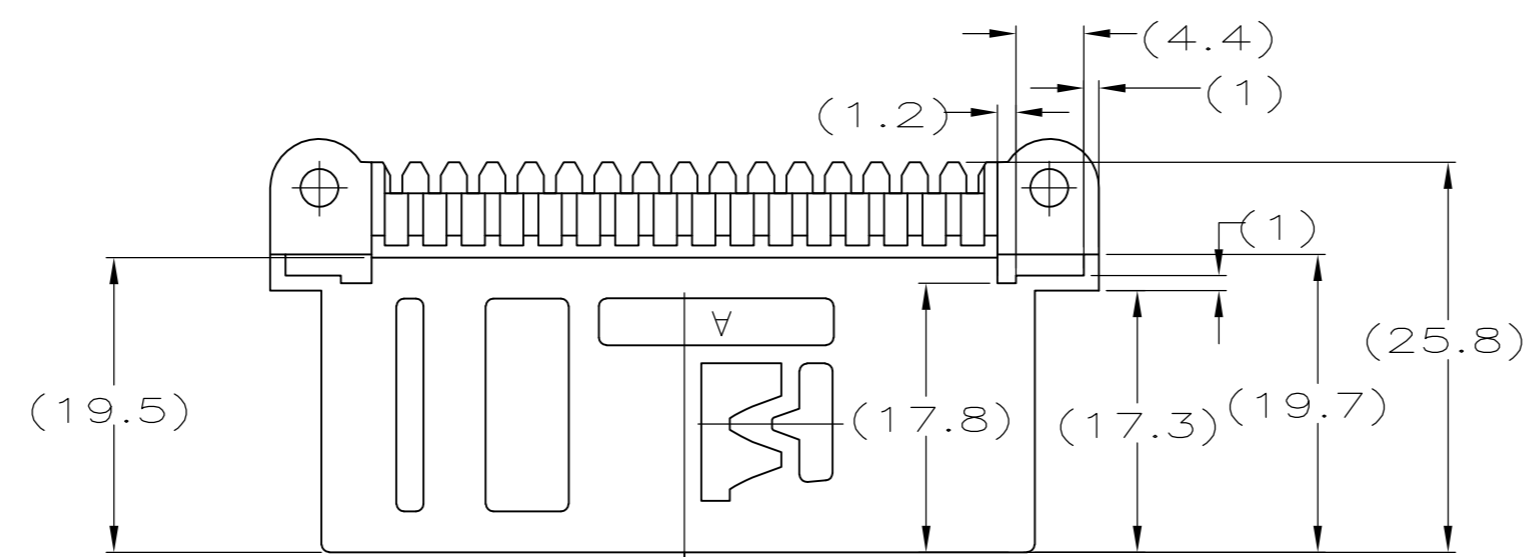
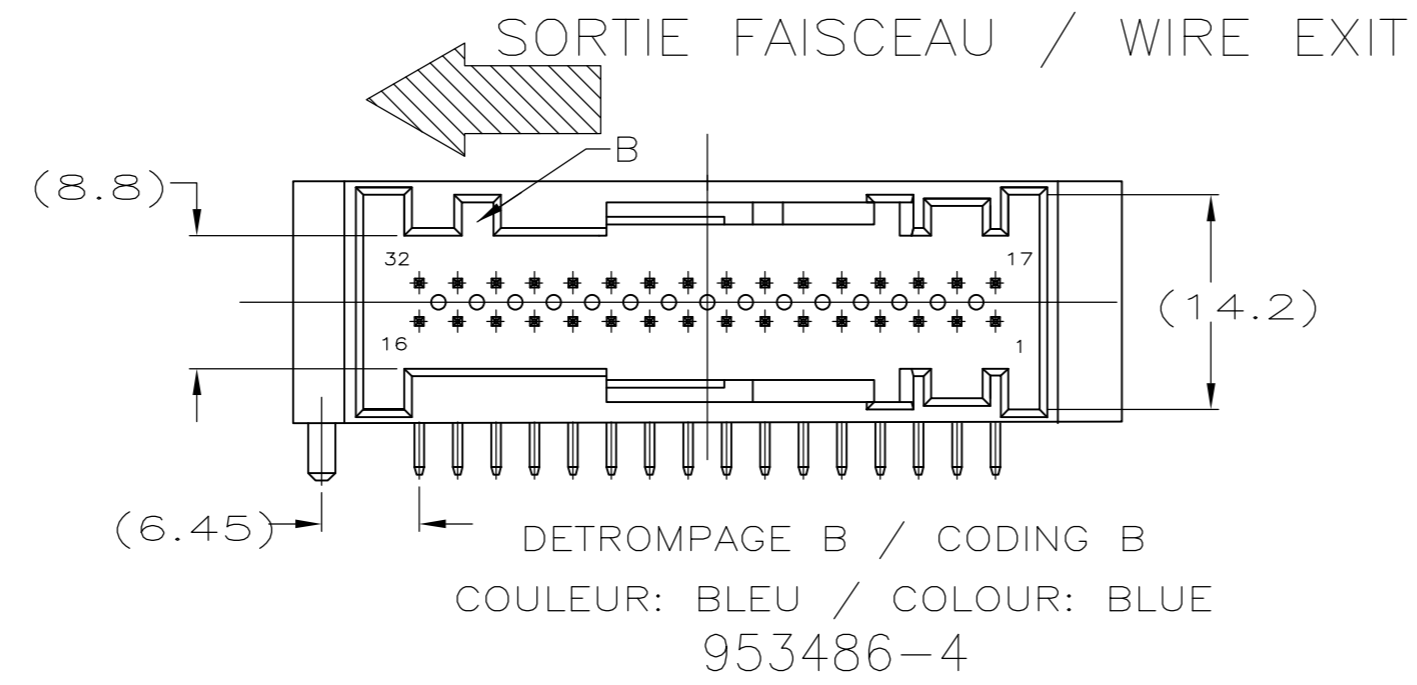
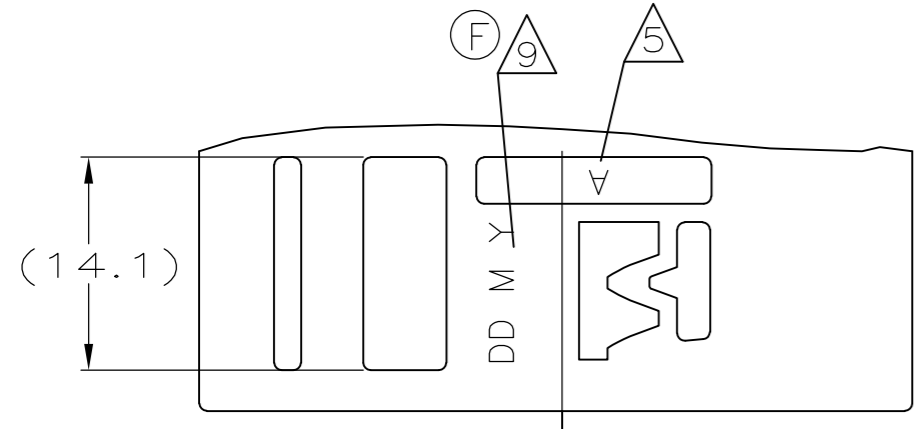
THIS DRAWING IS UNPUBLISHED.
 DIFFUSION RESTREINTE AMP
 © COPYRIGHT - By TE
 RELEASED FOR PUBLICATION
 ALL RIGHTS RESERVED.
 TOUS DROITS RESERVES.

LOC	DIST	REVISIONS						
F	7	P	LTR	REV	DESCRIPTION	DATE	DWN	APVD
		-	-	-	SEE SHEET 1	-	-	-

- NOTES:
- 1 DATE DE MOULAGE
 - 2 LOGO DE TE
 - 3 REFERENCE DU PRODUIT ASSEMBLE
 - 4 N° D'EMPREINTE DU MOULE
 - 5 REVISION DU MOULE
 - 6 MATIERE
 - 7 CONTRE-PARTIE:
CONNECTEUR REF. 1326140
 - 8 DATE D'ASSEMBLAGE
(DD = Jour ; M = Mois ; Y = année)
 - 9 ZONE DE MARQUAGE ALTERNATIVE
DE LA DATE D'ASSEMBLAGE.



- NOTES:
- 1 HOUSING DATE CODE
 - 2 TE LOGO
 - 3 ASSY PART NUMBER
 - 4 CAVITY MARKING
 - 5 REVISION STATUS [A]
 - 6 MATERIAL REFERENCE
 - 7 MATING PART:
CONNECTOR PN 1326140
 - 8 ASSY DATE CODE
(DD = Day ; M = Month ; Y = Year)
 - 9 ALTERNATIVE AREA FOR ASSY DATE MARKING.



ASSY. PN	953486-4				
16	16	CuSn6	MQS LONG CONTACT	POST ETAME / POST TIN	4
16	16	CuSn6	MQS SHORT CONTACT	POST ETAME / POST TIN	3
1	-	PBT GF20	BOITIER / HOUSING	BLEU / BLUE	2
-	-	-	-	-	1
QTY	MATERIAL	DESIGNATION / NAME	COULEUR / COLOR	ITEM	

THIS DRAWING IS A CONTROLLED DOCUMENT.
 CE SCHÉMA EST UN DOCUMENT CONTROLÉ

TOLERANCES UNLESS OTHERWISE SPECIFIED:
 (SUIV NB DE DECIMALES):
 0-PLC/ZDEE ± -
 1-PLC/ZDEE ± 0.3
 2-PLC/ZDEE ± -
 3-PLC/ZDEE ± -
 4-PLC/ZDEE ± -
 ANGLES ± 5°

FINISH FINITION -

WEIGHT MASSE APPROX 10.7 g

CUSTOMER DRAWING/PLAN CLIENT UNIFORMEMENT POUR REFERENCE

DWN/DESSINE Jacques LAQUERBE 07-JAN-02
 CHK/VERIFIE J.LAQUERBE 16-MAY-02
 APVD/APPROUVE JJ.REVIL
 PRODUCT SPEC SPEC. PRODUIT 108-15211
 APPLICATION SPEC SPEC. APPLICATION -

TE Connectivity

EMBASE 32V MQS COUEE AVEC OREILLES
 32W MQS RIGHT ANGLE HEADER WITH EARS

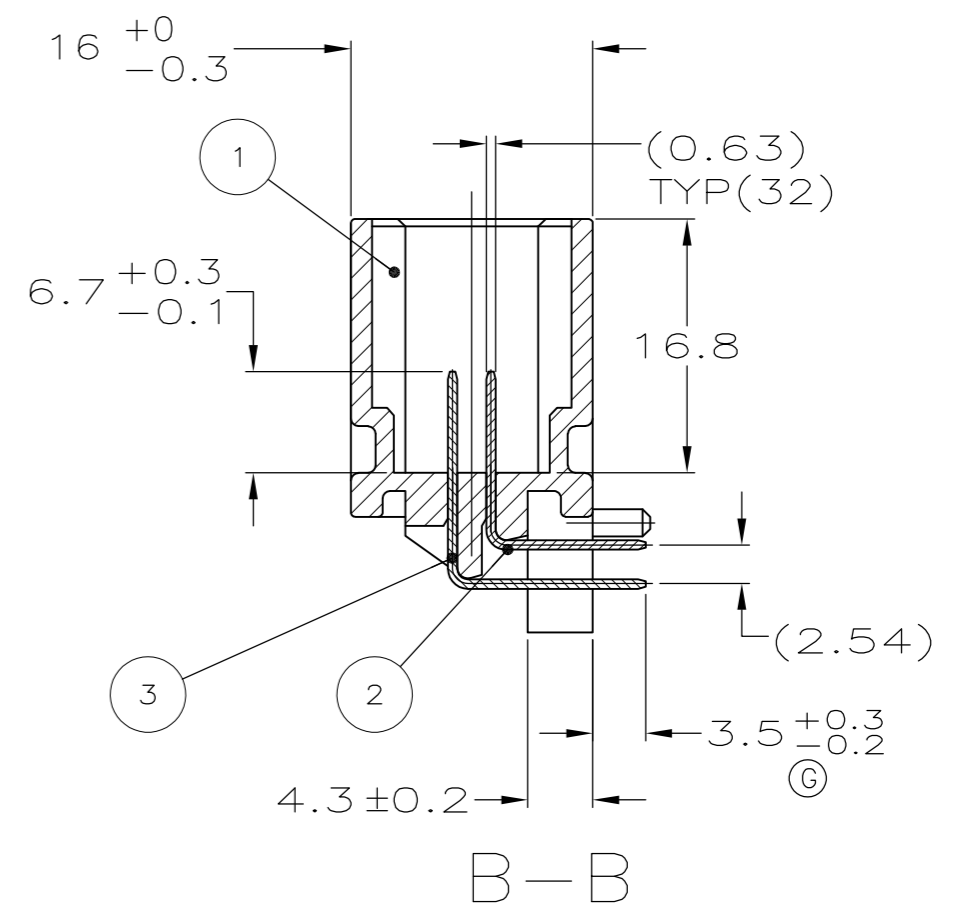
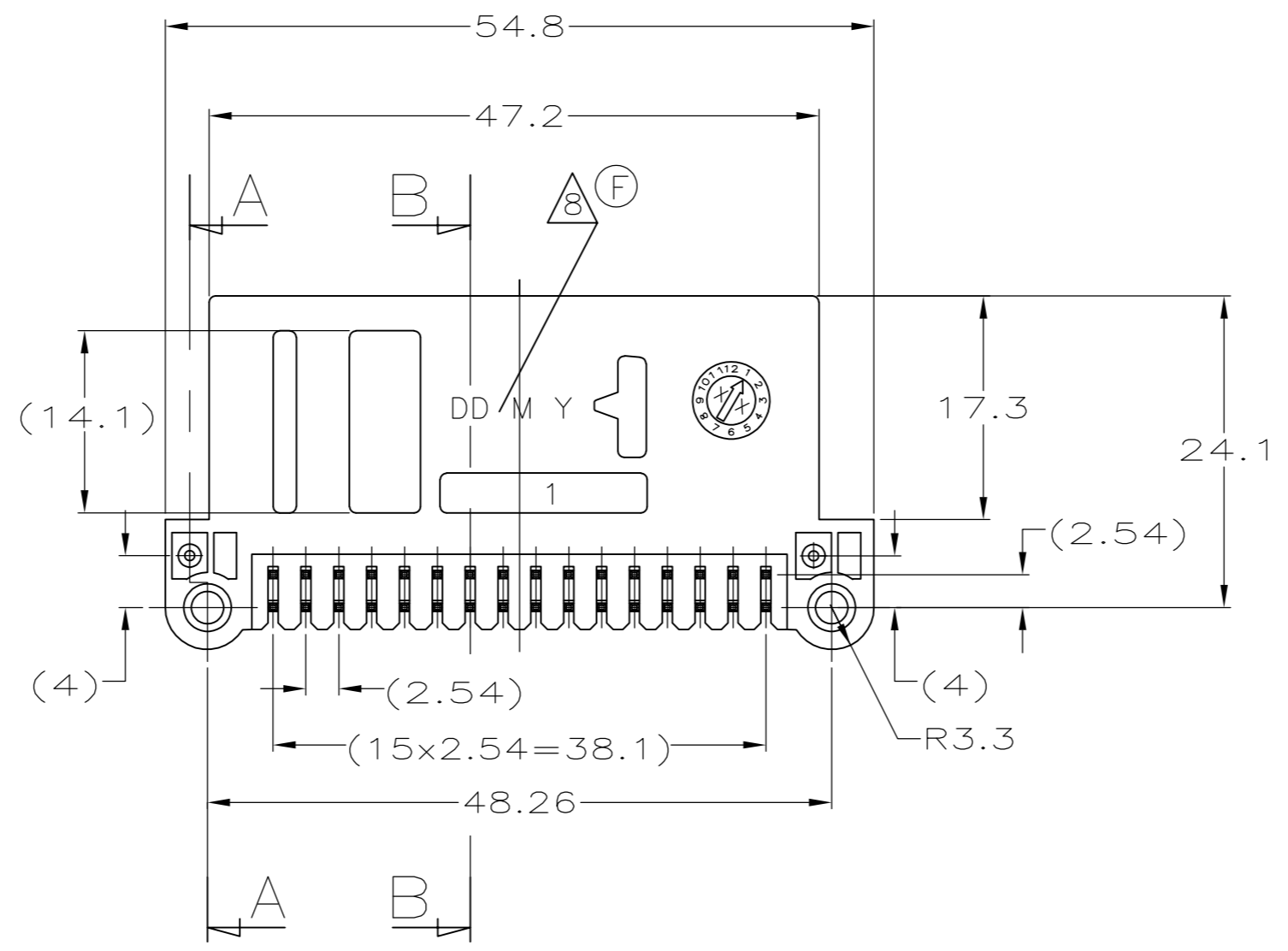
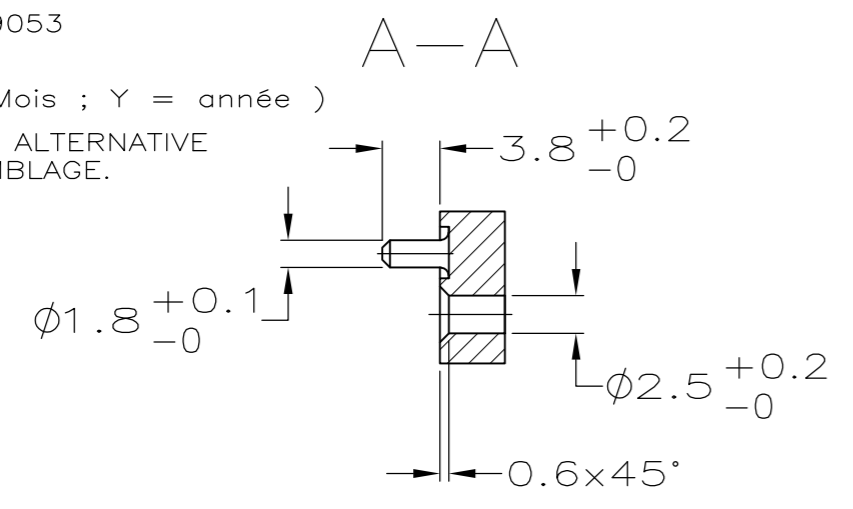
SIZE FORMAT A2 CAGE CODE 00779 DRAWING NO No PLAN C=953486 RESTRICTED TO -

SCALE ECHELLE 2:1 SHEET FEUILLE 4 DE 7 REV H

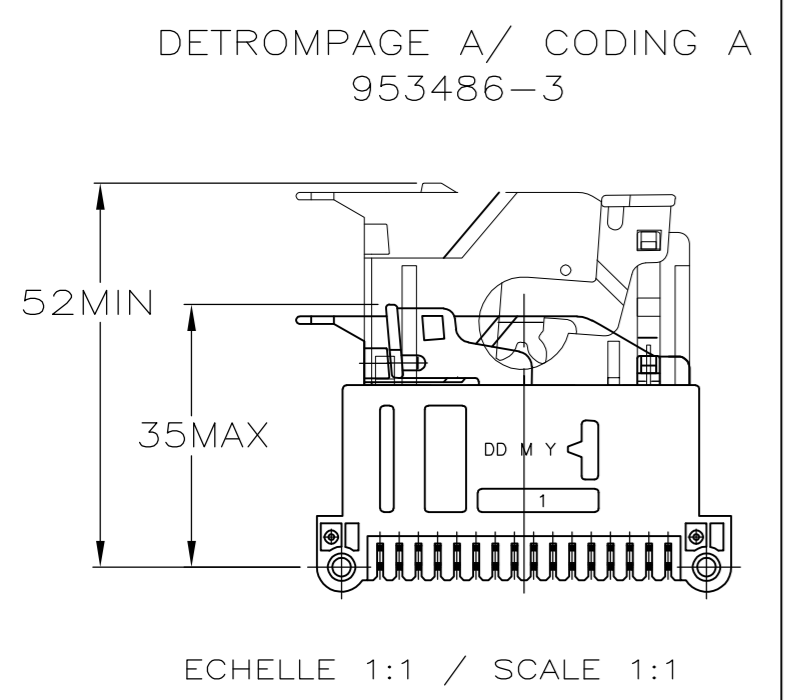
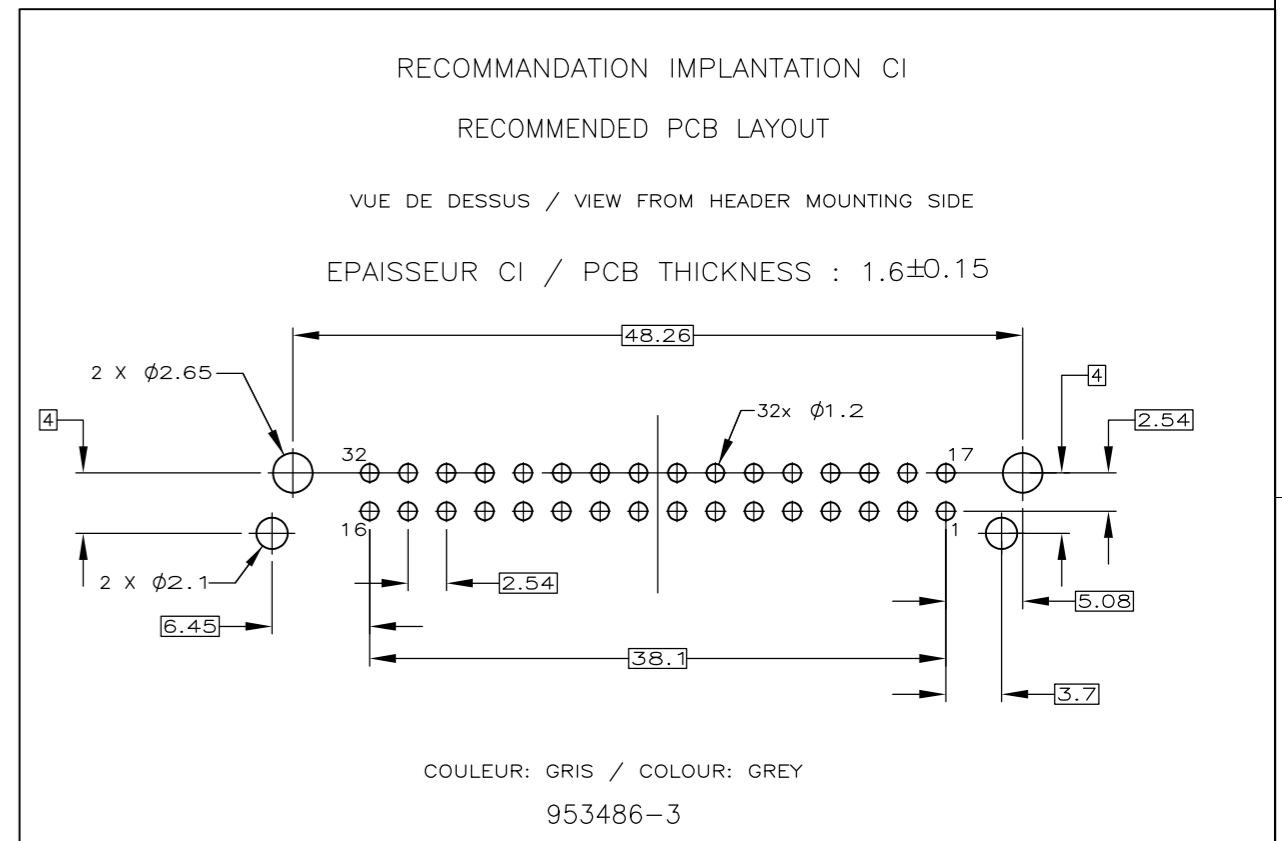
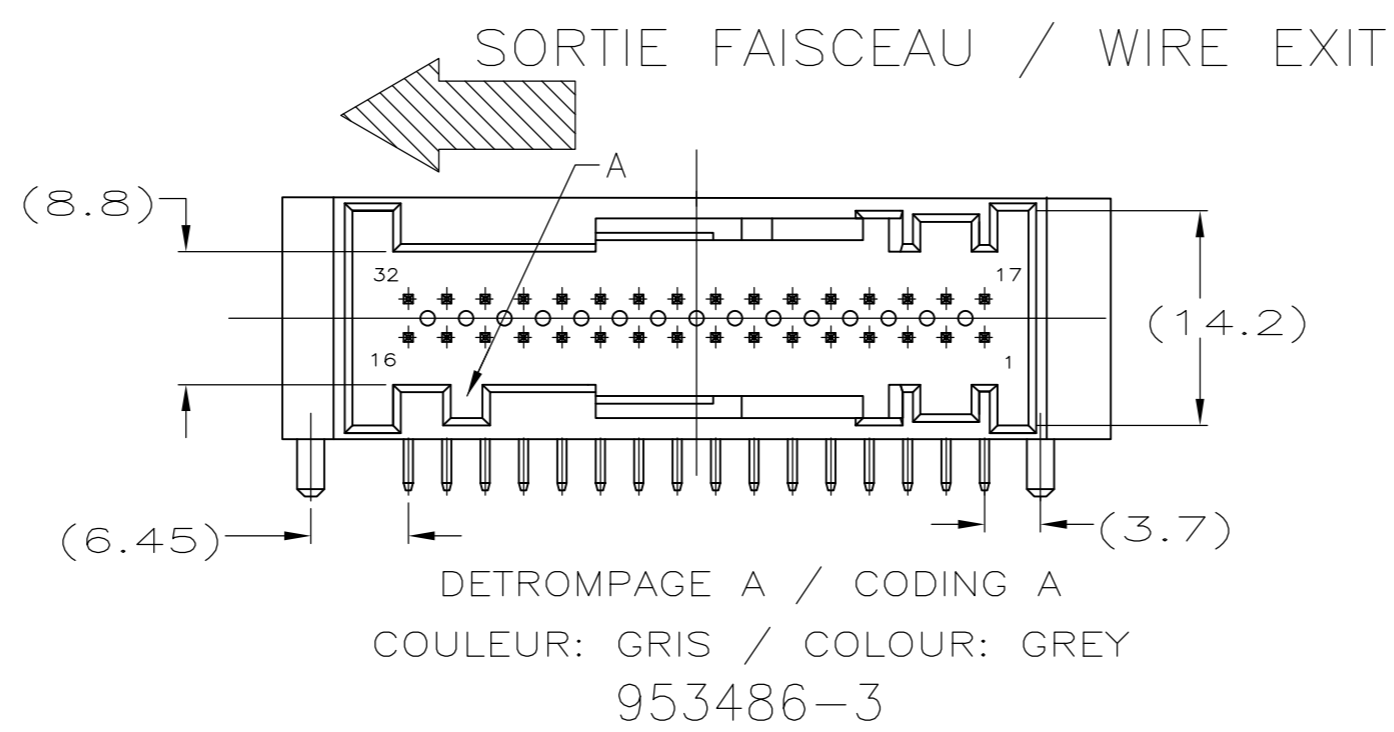
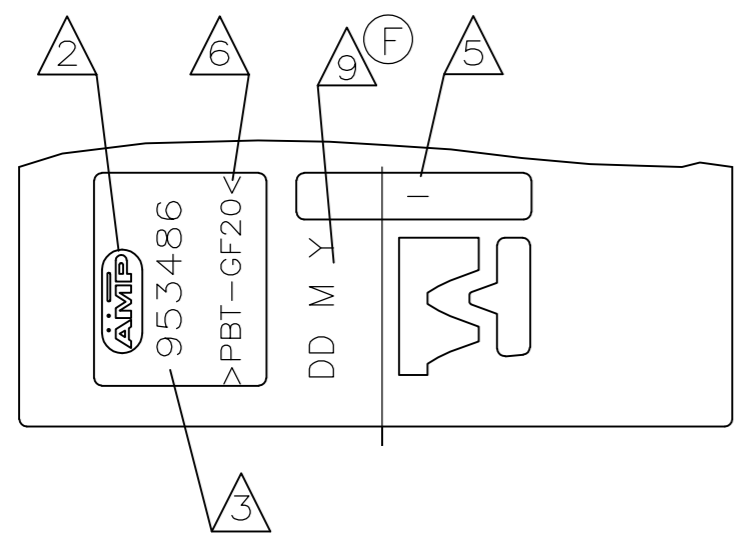
THIS DRAWING IS UNPUBLISHED. RELEASED FOR PUBLICATION
 © COPYRIGHT - By TE ALL RIGHTS RESERVED.

LOC		DIST		REVISIONS			
P	LTR	DESCRIPTION		DATE	DWN	APVD	
F	7	SEE SHEET 1		-	-	-	

- NOTES:
- 1 DATE DE MOULAGE
 - 2 LOGO DE TE
 - 3 REFERENCE DU PRODUIT ASSEMBLE
 - 4 N° D'EMPREINTE DU MOULE
 - 5 REVISION DU MOULE
 - 6 MATIERE
 - 7 CONTRE-PARTIE:
CONNECTEUR REF.929053
 - 8 DATE D'ASSEMBLAGE
(DD = Jour ; M = Mois ; Y = année)
 - 9 ZONE DE MARQUAGE ALTERNATIVE
DE LA DATE D'ASSEMBLAGE.



- NOTES:
- 1 HOUSING DATE CODE
 - 2 TE LOGO
 - 3 ASSY PART NUMBER
 - 4 CAVITY MARKING
 - 5 REVISION STATUS □ FOR PN953486-3
 - 6 MATERIAL REFERENCE
 - 7 MATING PART:
CONNECTOR PN 929053
 - 8 ASSY DATE CODE
(DD = Day ; M = Month ; Y = Year)
 - 9 ALTERNATIVE AREA FOR ASSY DATE MARKING.



ASSY. PN	QTY	MATERIAL	DESIGNATION / NAME	COULEUR / COLOR	ITEM
-	16	CuSn6	MQS LONG CONTACT	ETAME / TIN	3
-	16	CuSn6	MQS SHORT CONTACT	ETAME / TIN	2
-	1	PBT GF20	BOITIER / HOUSING (VERSION AVEC 2 PIONS / WITH 2 PINS KEYING VERSION)	GRIS / GREY	1
953486-3					

THIS DRAWING IS A CONTROLLED DOCUMENT.

DIMENSIONS: mm

TOLERANCES UNLESS OTHERWISE SPECIFIED:

0-PLC	±	-
1-PLC	±	0.3
2-PLC	±	-
3-PLC	±	-
4-PLC	±	-
ANGLES	±	5°
FINISH		

17-FEB-04
 DWN NT.NGUYEN
 CHK J.LALANGE
 APVD JJ.REVIL
 PRODUCT SPEC 108-15211
 APPLICATION SPEC

TE Connectivity

EMBASE 32V MQS COUDEE AVEC OREILLES
 32W MQS RIGHT ANGLE HEADER WITH EARS

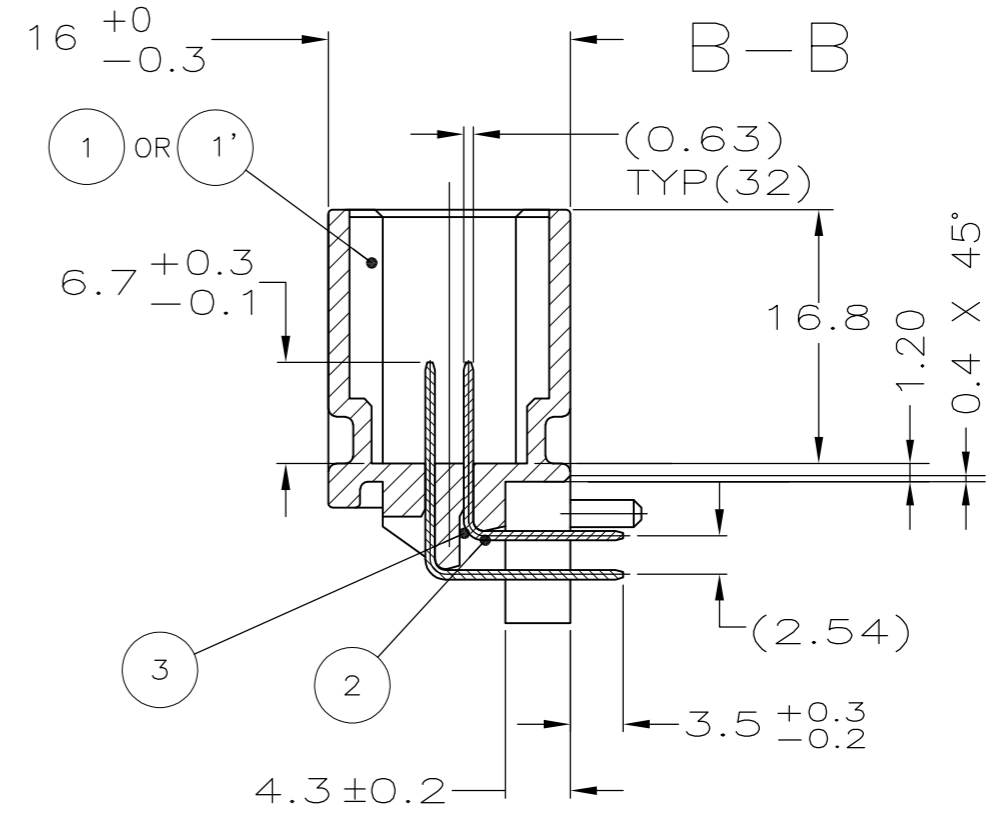
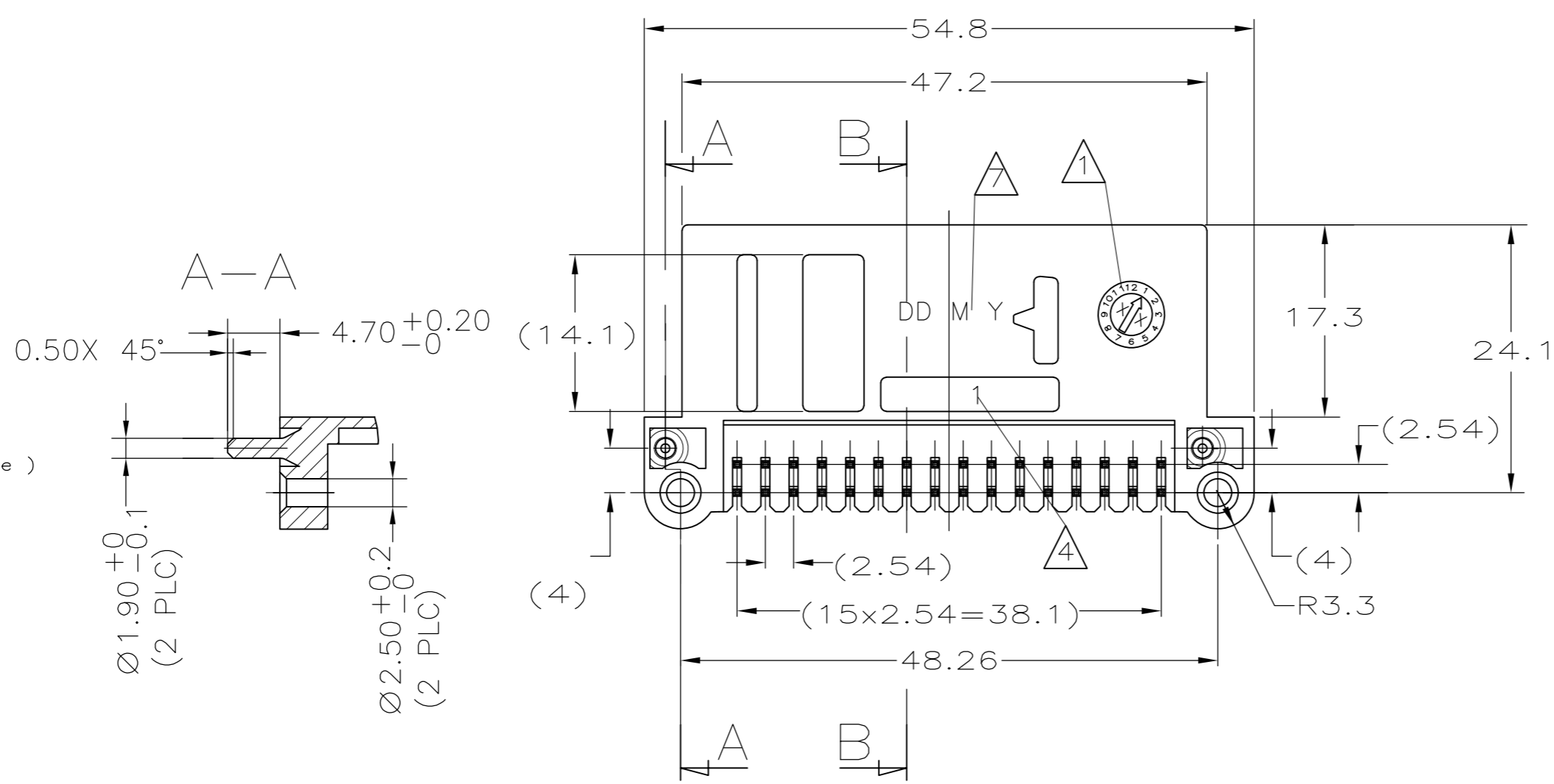
WEIGHT 10.7 g
 A2 00779 C=953486

CUSTOMER DRAWING SCALE 2:1 SHEET 5 OF 7 REV H

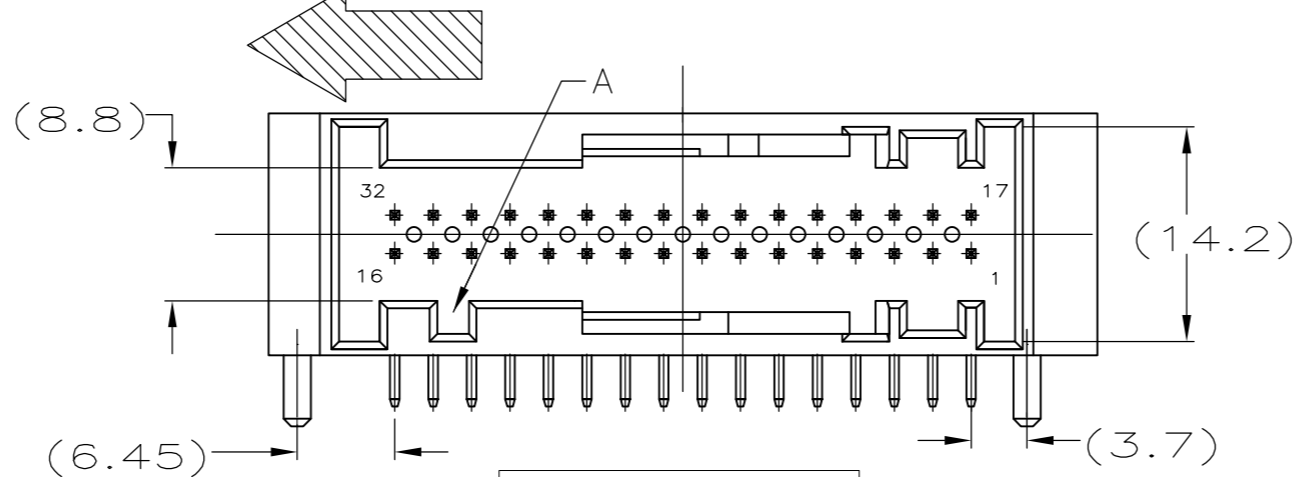
THIS DRAWING IS UNPUBLISHED.
 DIFFUSION RESTREINTE AMP
 © COPYRIGHT - By TE
 RELEASED FOR PUBLICATION
 ALL RIGHTS RESERVED.
 TOUS DROITS RESERVES.

LOC	DIST	REVISIONS				
P	LTR	REV	DESCRIPTION	DATE	DWN	APVD
F	7	-	SEE SHEET 1	-	-	-

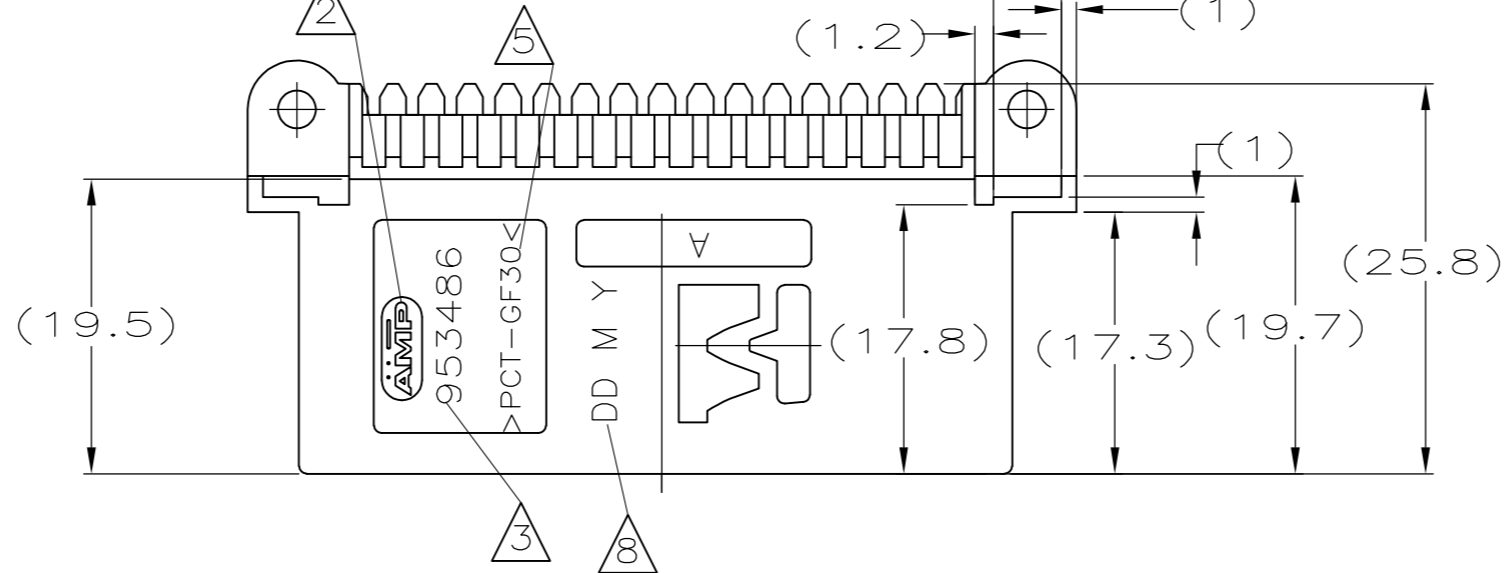
- NOTES:**
- ① DATE DE MOULAGE
 - ② LOGO DE TE
 - ③ REFERENCE DU PRODUIT ASSEMBLE
 - ④ N° D'EMPREINTE DU MOULE
 - ⑤ MATIERE
 - 6 CONTRE-PARTIE:
CONNECTEUR REF.929053
 - ⑦ DATE D'ASSEMBLAGE
(DD = Jour ; M = Mois ; Y = année)
 - ⑧ ZONE DE MARQUAGE ALTERNATIVE
DE LA DATE D'ASSEMBLAGE.
- NOTES:**
- ① HOUSING DATE CODE
 - ② TE LOGO
 - ③ ASSY PART NUMBER
 - ④ CAVITY MARKING
 - ⑤ MATERIAL REFERENCE
 - 6 MATING PART:
CONNECTOR PN 929053
 - ⑦ ASSY DATE CODE
(DD = Day ; M = Month ; Y = Year)
 - ⑧ ALTERNATIVE AREA FOR ASSY DATE MARKING.



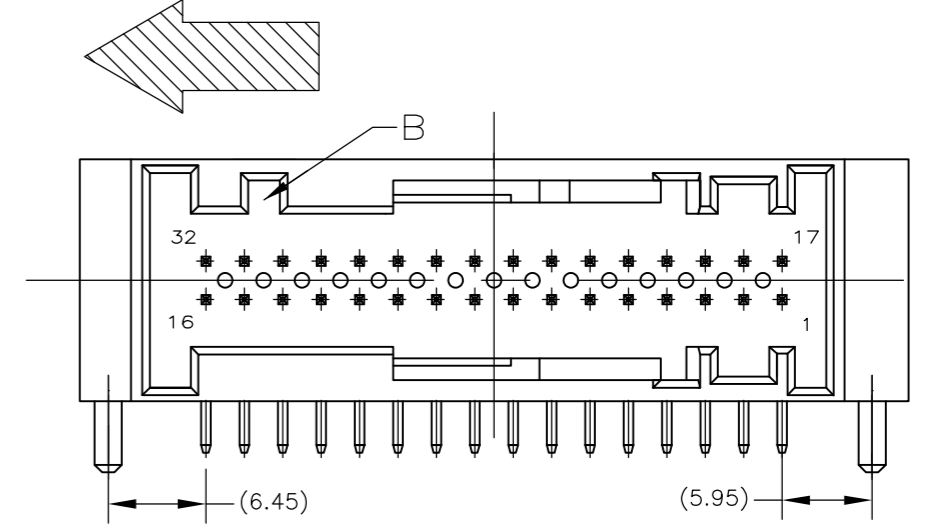
SORTIE FAISCEAU / WIRE EXIT



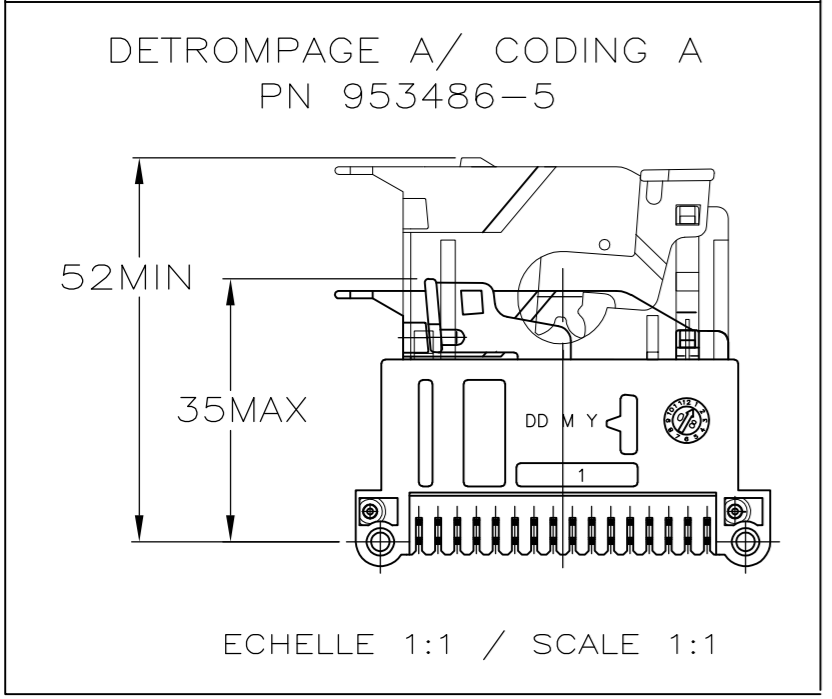
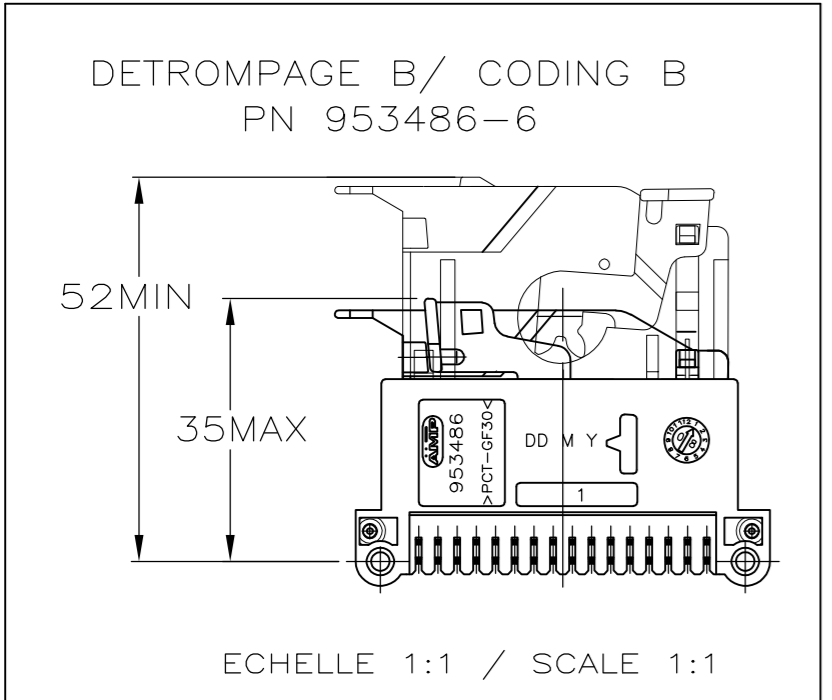
DETROMPAGE A / CODING A (GRIS / GREY)



SORTIE FAISCEAU / WIRE EXIT



DETROMPAGE B / CODING B (BLEU / BLUE)



ASSY. PN	QTY	MATERIAL	DESIGNATION / NAME	COULEUR / COLOR	ITEM
953486-6	16	CuSn6	MQS LONG CONTACT	ETAME / TIN	③
953486-5	16		MQS SHORT CONTACT	ETAME / TIN	②
1	1	PCT GF30	BOITIER / HOUSING (VERSION AVEC 2 PIONS / WITH 2 PINS KEYING VERSION)	BLEU / BLUE	①'
1	1		BOITIER / HOUSING (VERSION AVEC 2 PIONS / WITH 2 PINS KEYING VERSION)	GRIS / GREY	①

THIS DRAWING IS A CONTROLLED DOCUMENT.
 CE SCHÉMA EST UN DOCUMENT CONTROLÉ

DIMENSIONS: mm

TOLERANCES UNLESS OTHERWISE SPECIFIED: (SUIVANT LES DE DECIMALES):
 1. PLC / DEC. -
 2. PLC / DEC. ± 0.3
 3. PLC / DEC. -
 4. PLC / DEC. -
 ANGLES ± 5°

FINISH FINITION -

WEIGHT MASSE APPROX 10.7 g

CUSTOMER DRAWING/PLAN CLIENT

DWN/DESSINE NT.NGUYEN
 CHK / VERIFIE J.LALANGE
 APVD / APPROUVE J.LALANGE

PRODUCT SPEC SPEC. PRODUIT 108-15211
 APPLICATION SPEC SPEC. APPLICATION -

TE Connectivity

EMBASE 32V MQS COUDEE AVEC OREILLES
 32W MQS RIGHT ANGLE HEADER WITH EARS

SIZE FORMAT A2
 CAGE CODE 00779
 DRAWING NO No PLAN C=953486

RESTRICTED TO -

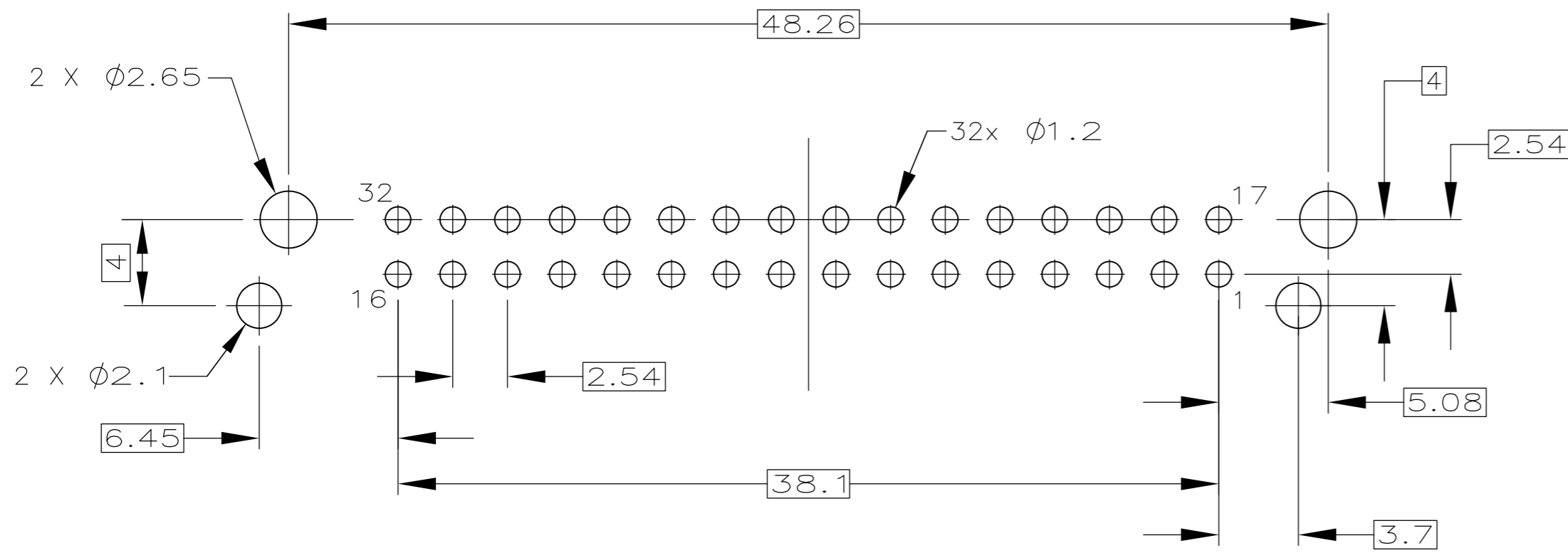
SCALE ECHELLE 2:1
 SHEET FEUILLE 6 DE 7
 REV H

THIS DRAWING IS UNPUBLISHED.
 DIFFUSION RESTREINTE AMP
 © COPYRIGHT - By TE
 RELEASED FOR PUBLICATION
 ALL RIGHTS RESERVED.
 TOUS DROITS RESERVES.

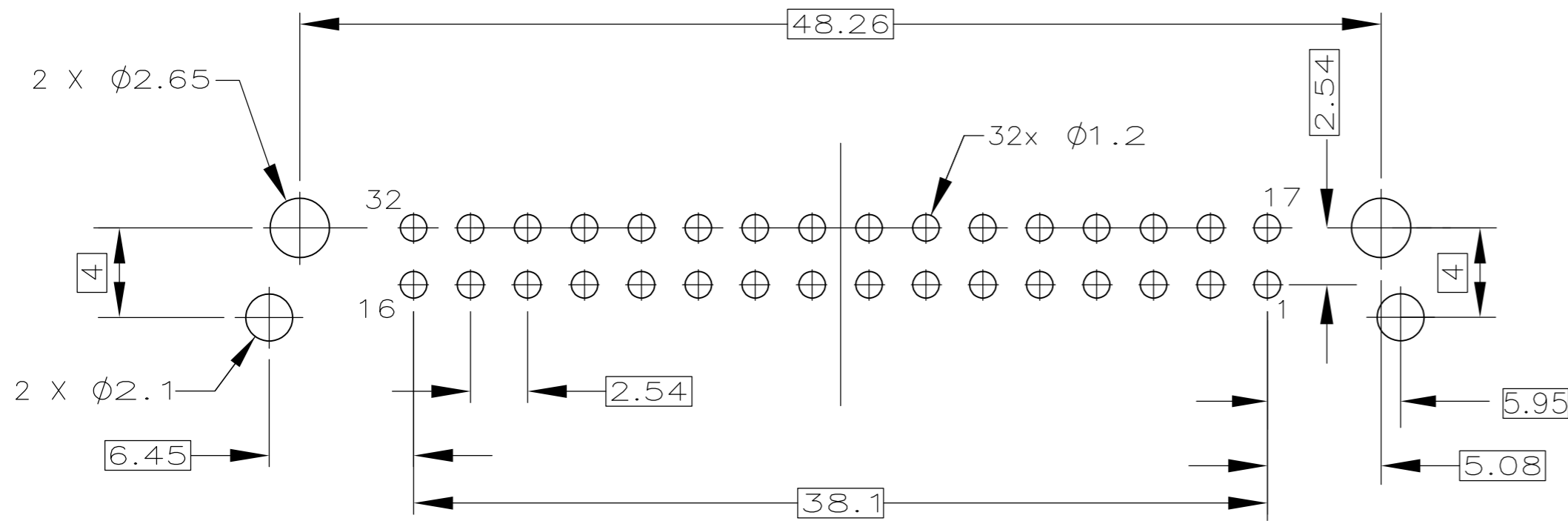
LOC	DIST	REVISIONS			
P	LTR REV	DESCRIPTION MODIFICATIONS	DATE	DWN DESS	APVD APP
F	7	SEE SHEET 1	-	-	-

RECOMMANDATION IMPLANTATION CI
 RECOMMENDED PCB LAYOUT
 VUE DE DESSUS / VIEW FROM HEADER MOUNTING SIDE
 EPAISSEUR CI / PCB THICKNESS : 1.6±0.15

P/N ASS'Y
 REF. ASSEMBLEE



953486-5
 (GRIS / GREY)



953486-6
 (BLEU / BLUE)

THIS DRAWING IS A CONTROLLED DOCUMENT. CE SCHÉMA EST UN DOCUMENT CONTROLÉ		DWN/DESSINE NT.NGUYEN	27OCT2014	STE TE Connectivity	
DIMENSIONS: mm		CHK/VERIFIE J.LALANGE	APVD/APPROUVE J.LALANGE		
TOLERANCES UNLESS OTHERWISE SPECIFIED: (SUIVANT LE DE DECIMALES):		PRODUCT SPEC SPEC. PRODUIT 108-15211		NAME TITRE EMBASE 32V MQS COUDEE AVEC OREILLES 32W MQS RIGHT ANGLE HEADER WITH EARS	
MATERIAL MATIERE		FINISH FINITION		SIZE FORMAT A2	CAGE CODE 00779
WEIGHT MASSE APPROX		10.7 g		DRAWING NO No PLAN C=953486	RESTRICTED TO -
CUSTOMER DRAWING/PLAN CLIENT				UNIQUEMENT POUR REFERENCE	SCALE EHELLE 4:1
SHEET FEUILLE 7 DE 7			REV H		