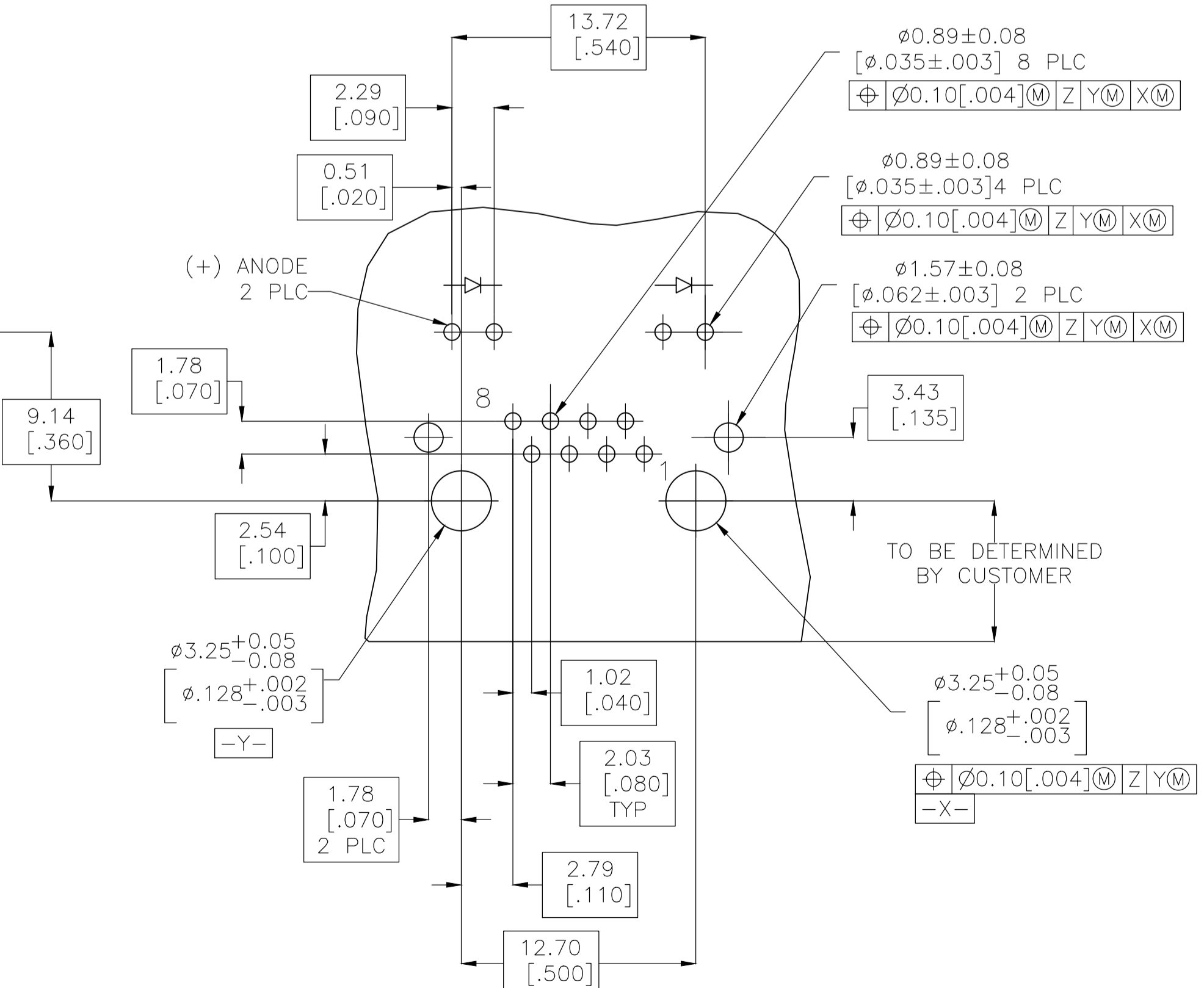
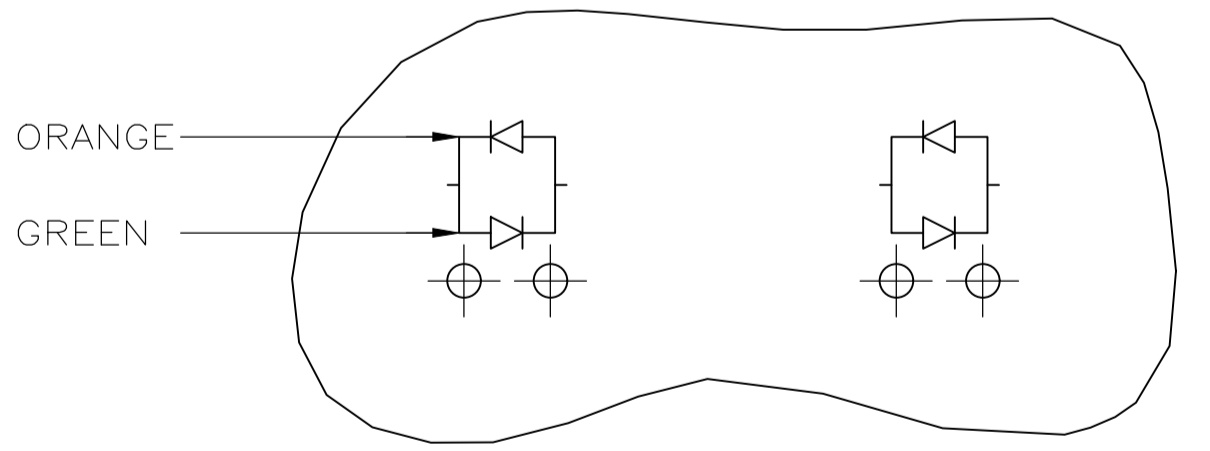
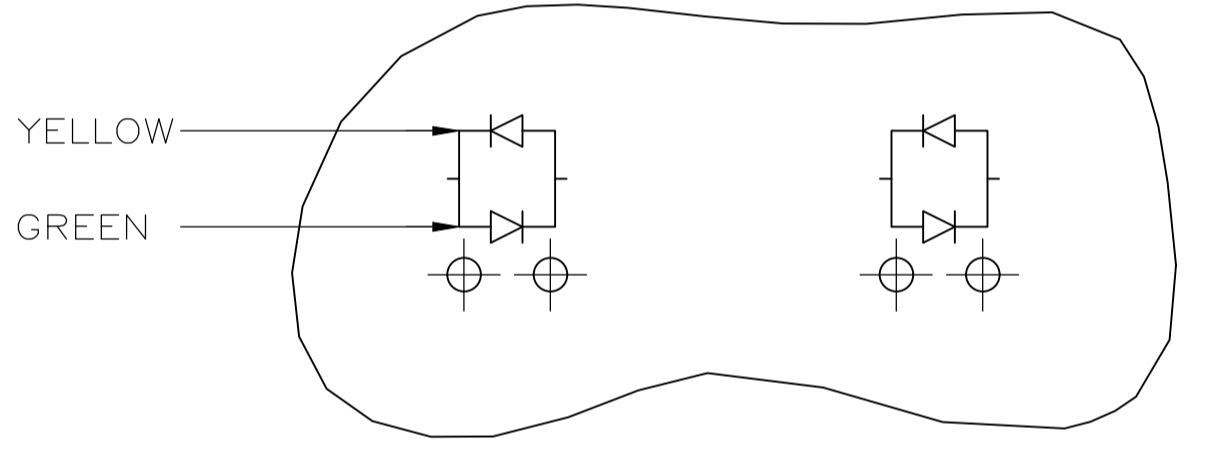
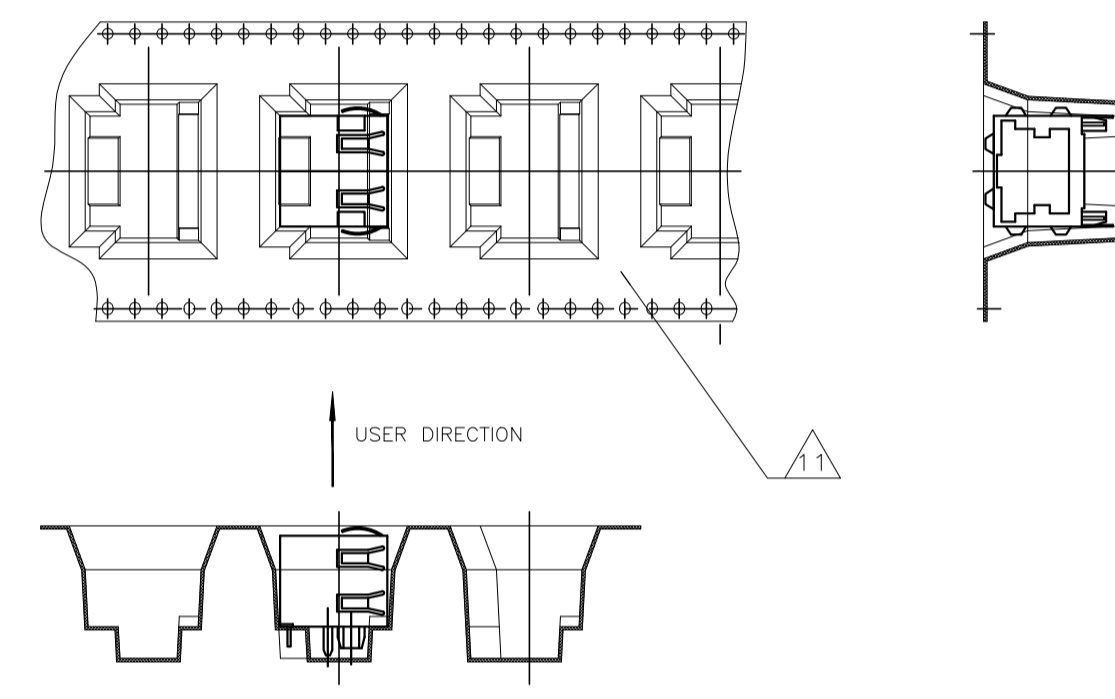
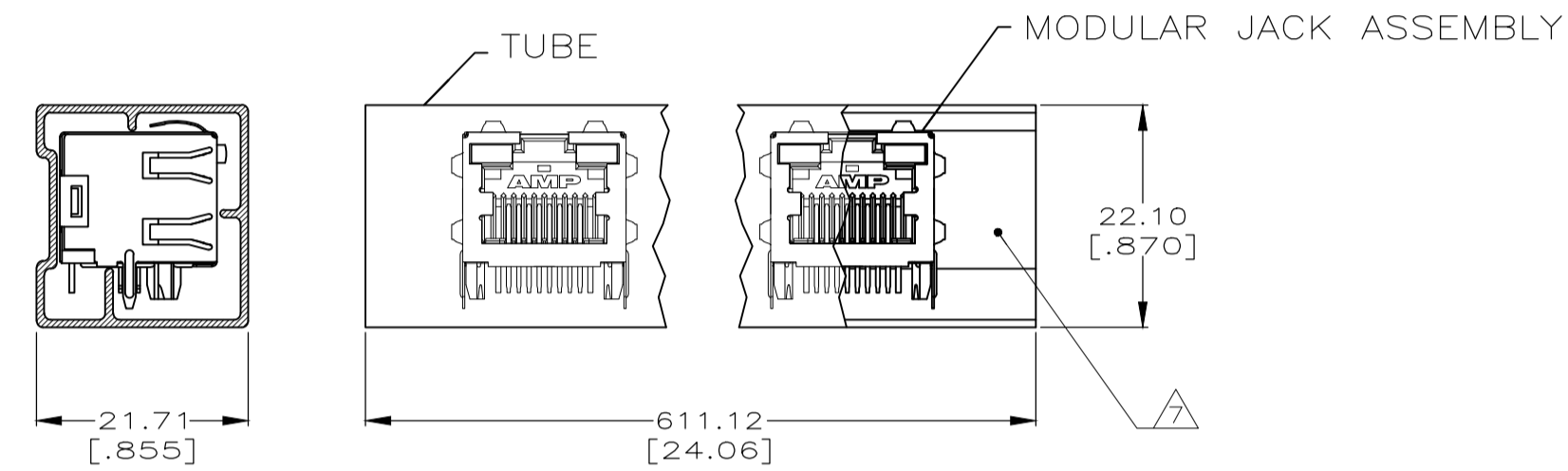
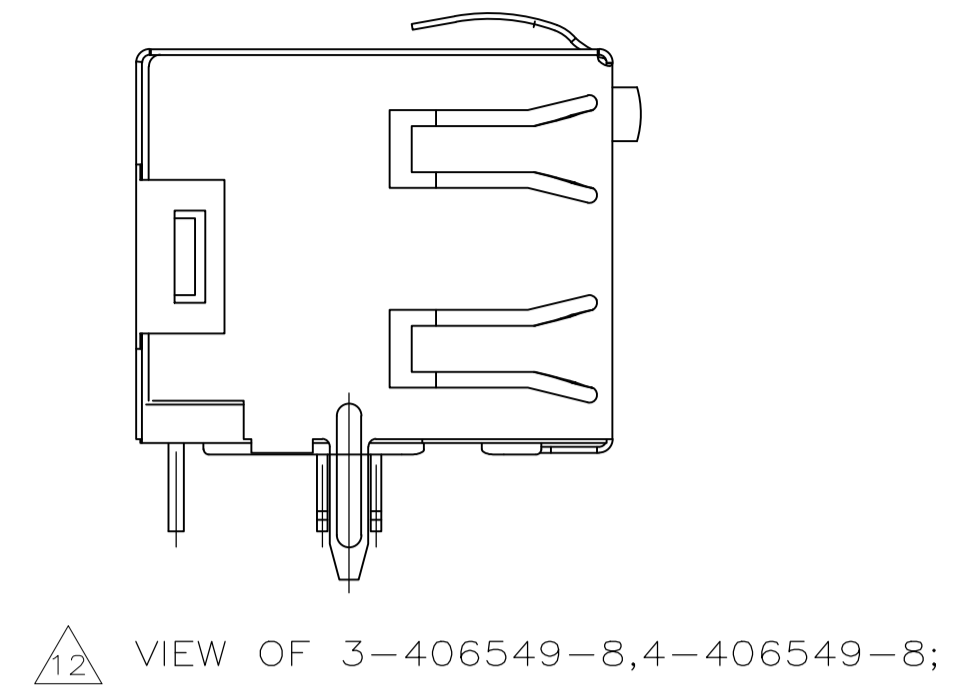
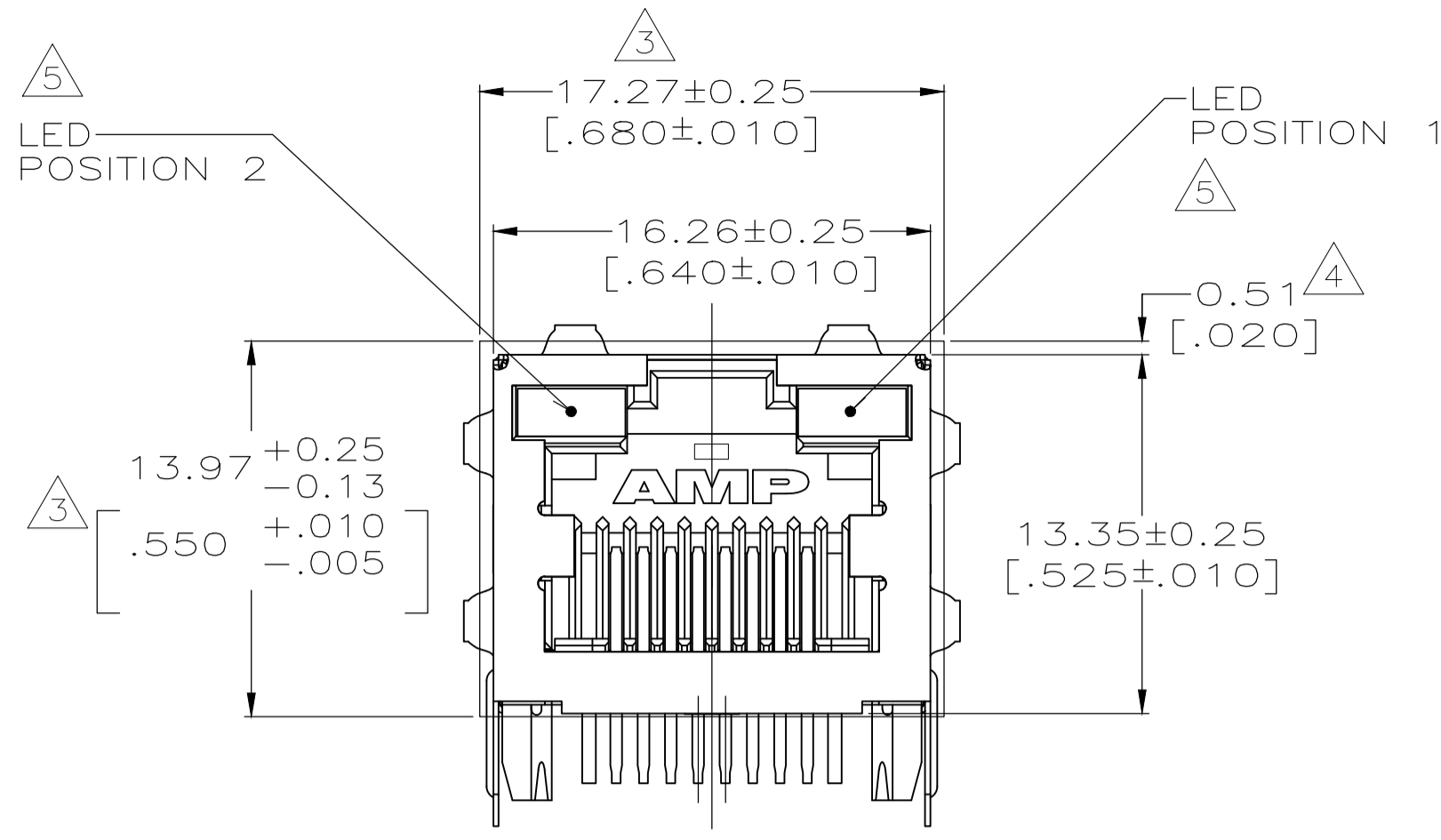
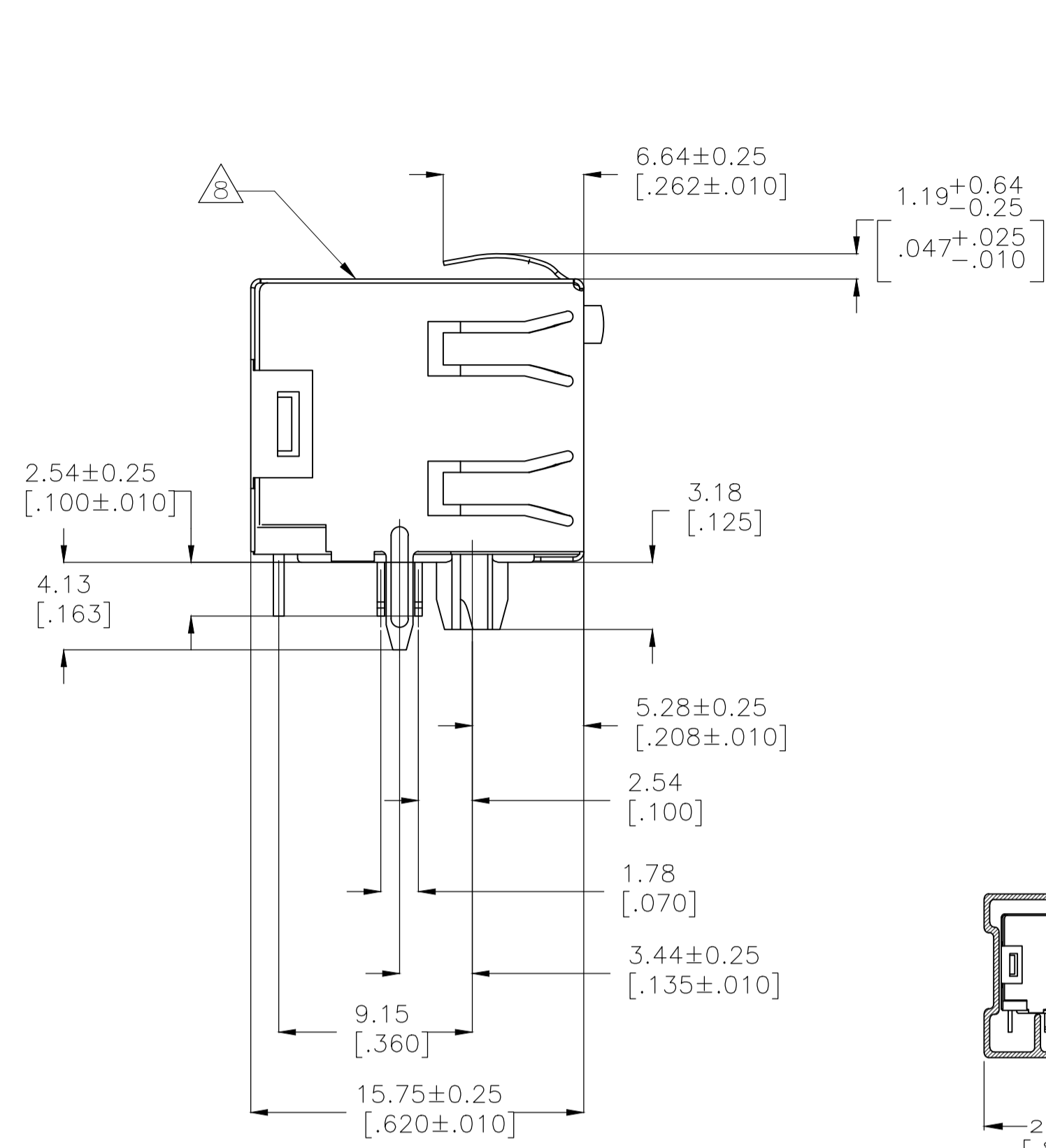


REVISIONS				
P	LTR	DESCRIPTION	DATE	APP'D
U	ECO-17-016389		08NOV2017	AD SH



- 1 MATERIAL: HOUSING - HIGH TEMPERATURE THERMOPLASTIC, BLACK, UL94V-0. TERMINALS - 0.36[.014] THICK PHOS BRONZE PLATED WITH 3.81µm[.000150] MINIMUM THICK (SEE P/N TABLE) IN SOLDER AREA. 1.27µm[.000050] MINIMUM GOLD IN LOCALIZED PLATE AREA. ENTIRE TERMINAL PLATED WITH 1.27µm[.000050] MINIMUM THICK NICKEL. SHIELD - 0.196[.0077] THICK COPPER ZINC ALLOY PREPLATED WITH 1.27µm[.000050] MINIMUM SATIN NICKEL WITH 2.03µm[.000080] MINIMUM TIN POST DIPPED ON PCB GROUND TABS. LIGHT EMITTING DIODE (LED) - DIFFUSED EPOXY LENS, 0.51 x 0.51[.020 x .020] CARBON STEEL WIREFRAME LEADS PLATED WITH 8.89µm[.000350] TIN/COPPER OVER 2.03[.000080] SILVER OVER 1.02µm[.000040] NICKEL UNDERPLATE OVER 1.02µm[.000040] COPPER UNDERPLATE.
- 2. JACK CAVITY CONFORMS TO FCC RULES AND REGULATIONS PART 68, SUBPART F.
- 3 SUGGESTED PANEL OPENING DIMENSIONS.
- 4 SUGGESTED CLEARANCE BETWEEN TOP OF CONNECTOR AND TOP PANEL OPENING.
- 5 SEE TABLE FOR COLOR OF LEDS AND NUMBER REQUIRED.
- 6. THIS MODULAR JACK WITH INTEGRATED LED IS NOT IR REFLOW SOLDERING PROCESS COMPATIBLE.
- 7 PACKAGED 30 PIECES PER TUBE, SEE DETAIL "A".
- 8 MANUFACTURING DATE CODE: LOCATED APPROX. AS SHOWN. FIRST 2 DIGITS = LAST 2 DIGITS OF YEAR. NEXT 2 DIGITS = MANUFACTURING WORK WEEK. LAST DIGIT = DAY OF WEEK WITH SUNDAY = 1.
- 9 THE PART IS PRELIMINARY.
- 10 OBSOLETE PARTS: OBSOLETE CIS STREAMLINING PER D.RENAUD/D.SINISI
- 11 TAPE REEL PACKAGE .SEE DETAIL B.
- 12 WITHOUT PLASTIC POST, SEE VIEW OF 3-406549-8, AND 4-406549-8;
- 13 REFLOW SOLDER PROCESS COMPATIBLE

TERMINAL LEAD PLATING	PACKAGING	INDICATOR COLOR	PART NUMBER
MATTE TIN	TAPE REEL	YELLOW/GREEN	4-406549-8
MATTE TIN	TAPE REEL	YELLOW/GREEN	3-406549-8
MATTE TIN	TRAY	-	3-406549-3
MATTE TIN	TUBE	RED	3-406549-2
MATTE TIN	TRAY	YELLOW	3-406549-1
MATTE TIN	TRAY	ORANGE/GREEN	3-406549-0
MATTE TIN	TRAY	ORANGE/GREEN	2-406549-9
MATTE TIN	TRAY	YELLOW/GREEN	2-406549-8
MATTE TIN	TRAY	ORANGE/GREEN	2-406549-7
MATTE TIN	TRAY	YELLOW	2-406549-6
MATTE TIN	TRAY	GREEN	2-406549-5
MATTE TIN	TRAY	GREEN	2-406549-4
MATTE TIN	TRAY	YELLOW	2-406549-3
MATTE TIN	TRAY	-	2-406549-2
MATTE TIN	TRAY	YELLOW	2-406549-1
TIN-LEAD	TRAY	YELLOW/GREEN	406549-8
TIN-LEAD	TRAY	YELLOW	406549-6
TIN-LEAD	TRAY	GREEN	406549-5
TIN-LEAD	TRAY	GREEN	406549-4
TIN-LEAD	TRAY	YELLOW	406549-3
TIN-LEAD	TRAY	-	406549-2
TIN-LEAD	TRAY	YELLOW	406549-1

THIS DRAWING IS A CONTROLLED DOCUMENT. DIMENSIONS: mm [INCHES]. TOLERANCES UNLESS OTHERWISE SPECIFIED: 0 PLC ±, 1 PLC ±, 2 PLC ± 0.25[.01], 3 PLC ± 0.13[.005], 4 PLC ±, ANGLES ±.

DIN G. GARRETT 17-SEP-97
 CJK G. GARRETT 17-SEP-97
 APVD M. DERSTINE 17-SEP-97

NAME: INVERTED MODULAR JACK ASSEMBLY, 1X1, SHIELDED, PANEL GROUND, LED
 PRODUCT SPEC: 108-1163-4
 APPLICATION SPEC: 114-2154
 SIZE: A1
 CASE CODE: 00779
 DRAWING NO: 406549
 RESTRICTED TO: -

SCALE: 4:1 SHEET: 1 OF 1 REV: U

Mouser Electronics

Authorized Distributor

Click to View Pricing, Inventory, Delivery & Lifecycle Information:

[TE Connectivity:](#)

[406549-8](#)