


80×80×25 mm

San Ace 80 9S type Silent Fan  Model 9S0812H401 is not TÜV certified.



General Specifications

- Material Frame: Plastic (Flammability: UL 94V-0), Impeller: Plastic (Flammability: UL 94V-1)
- Expected life See the table below. (L10 life: 90% survival rate for continuous operation in free air at 60°C, rated voltage)
- Motor protection function Locked rotor burnout protection, Reverse polarity protection
For details, please refer to p. 547.
- Dielectric strength 50/60 Hz, 500 VAC, for 1 minute (between lead wire conductors and frame)
- Insulation resistance 10 MΩ or more with a 500 VDC megger (between lead wire conductors and frame)
- Sound pressure level (SPL) At 1 m away from the air inlet
- Storage temperature -30 to +70°C (Non-condensing)
- Lead wire ⊕Red ⊖Black (Sensor) Yellow
- Mass 75 g

Specifications

The models listed below **have ribs and pulse sensors.** For models without ribs, append "1" to the end of model numbers.

| Model no. | Rated voltage [V] | Operating voltage range [V] | Rated current [A] | Rated input [W] | Rated speed [min ⁻¹] | Max. airflow [m ³ /min] [CFM] | Max. static pressure [Pa] [inchH ₂ O] | SPL [dB (A)] | Operating temperature [°C] | Expected life [h] |
|-------------------|-------------------|-----------------------------|-------------------|-----------------|----------------------------------|--|--|--------------|----------------------------|-------------------|
| 9S0812H401 | 12 | 5.0 to 13.2 | 0.23 | 2.76 | 3400 | 1.12 39.5 | 52.15 0.2 | 31 | -10 to +70 | 40000/60°C |
| 9S0812F401 | | 5.0 to 13.8 | 0.11 | 1.32 | 2800 | 0.93 32.8 | 35.5 0.143 | 24 | | |
| 9S0812M401 | | | 0.08 | 0.96 | 2500 | 0.83 29.3 | 27.5 0.11 | 22 | | |
| 9S0812L401 | | 6.0 to 13.8 | 0.05 | 0.6 | 2000 | 0.66 23.3 | 18.1 0.073 | 16 | | |
| 9S0824M401 | 24 | 10 to 26.4 | 0.06 | 1.44 | 2500 | 0.83 29.3 | 27.5 0.11 | 22 | | |
| 9S0824L401 | | | 0.04 | 0.96 | 2000 | 0.66 23.3 | 18.1 0.073 | 16 | | |

The following sensor and control options are available for selection.

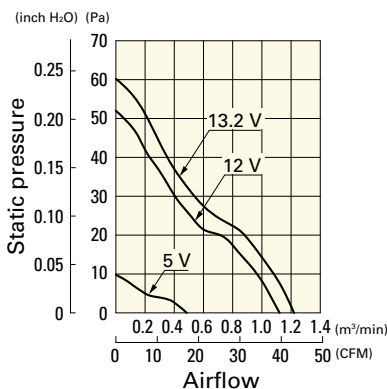
Available for all models. **Lock sensor**

Differs according to the model. Refer to the table on p. 577. **Without sensor** **PWM control**

Airflow - Static Pressure Characteristics

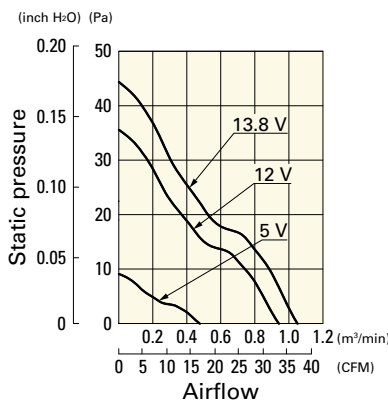
9S0812H401 With pulse sensor

Operating voltage range



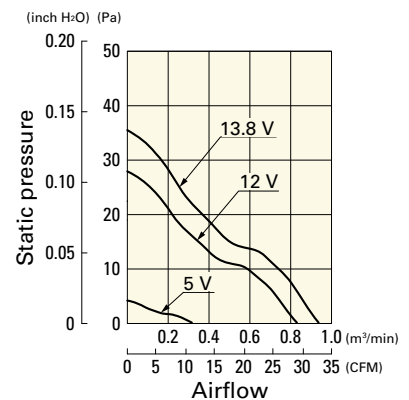
9S0812F401 With pulse sensor

Operating voltage range



9S0812M401 With pulse sensor

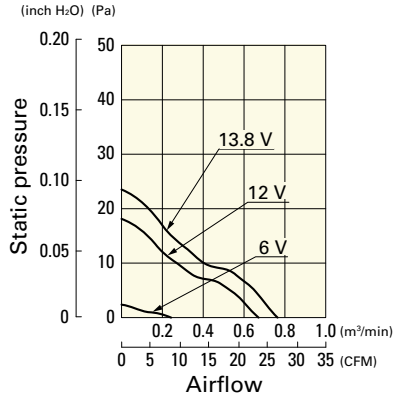
Operating voltage range



Airflow - Static Pressure Characteristics

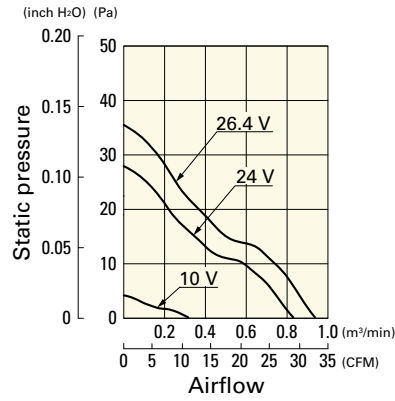
9S0812L401 With pulse sensor

Operating voltage range



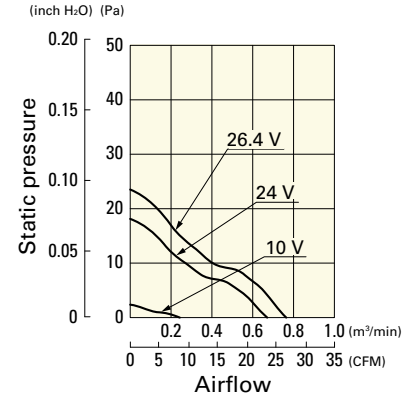
9S0824M401 With pulse sensor

Operating voltage range

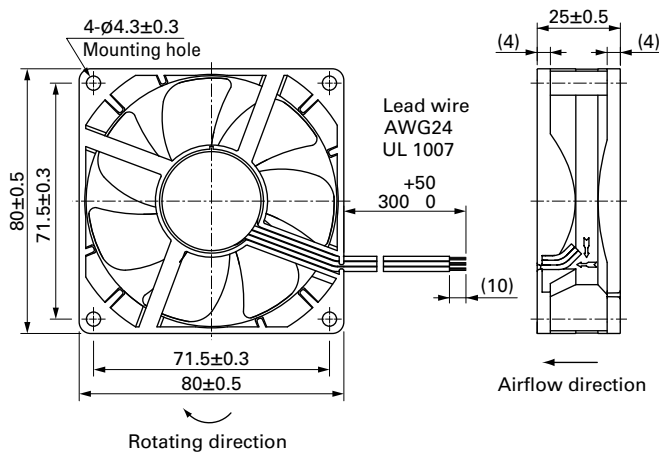


9S0824L401 With pulse sensor

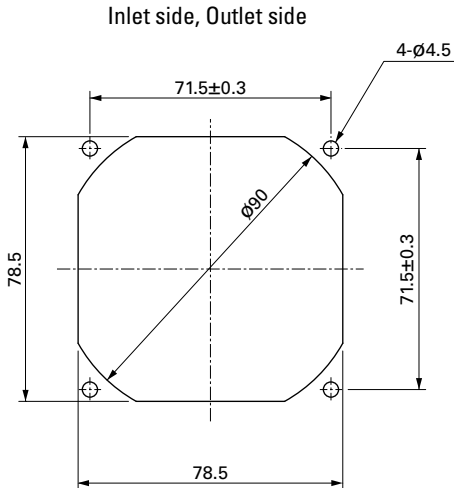
Operating voltage range



Dimensions (unit: mm) (With ribs)



Reference Dimensions of Mounting Holes and Vent Opening (unit: mm)



Options

Finger guards

page: p. 532

Model no.: 109-049E, 109-049H, 109-049C

Resin finger guards

page: p. 539

Model no.: 109-1002G

Resin filter kits

page: p. 540

Model no.: 109-1002F13 (13PPI), 109-1002F20 (20PPI),
109-1002F30 (30PPI), 109-1002F40 (40PPI)

Mouser Electronics

Authorized Distributor

Click to View Pricing, Inventory, Delivery & Lifecycle Information:

Sanyo Denki:

[9S0812F4011](#) [9S0812L4011](#) [9S0812M4011](#) [9S0812M401](#) [9S0812F401](#) [9S0824L401](#) [9S0824M401](#) [9S0812L401](#)
[9S0812H401](#) [9S0824M4011](#) [9S0812H4011](#) [9S0824L4011](#) [9S0812M4D01](#) [9S0812F4D011](#) [9S0812L4D011](#)
[9S0812L4D01](#) [9S0812P4F011](#) [9S0824L402](#) [9S0824L4D01](#) [9S0824M4D01](#) [9S0812L402](#) [9S0824M4021](#)
[9S0812L4021](#) [9S0824L4021](#) [9S0812F402](#) [9S0824M402](#) [9S0812M4021](#) [9S0812F4021](#) [9S0812M402](#) [9S0812P4F01](#)
[9S0812F4D01](#) [9S0812M4D011](#) [9S0812P4M01](#) [9S0812P4M011](#) [9S0824L4D011](#) [9S0824M4D011](#)