

4

3

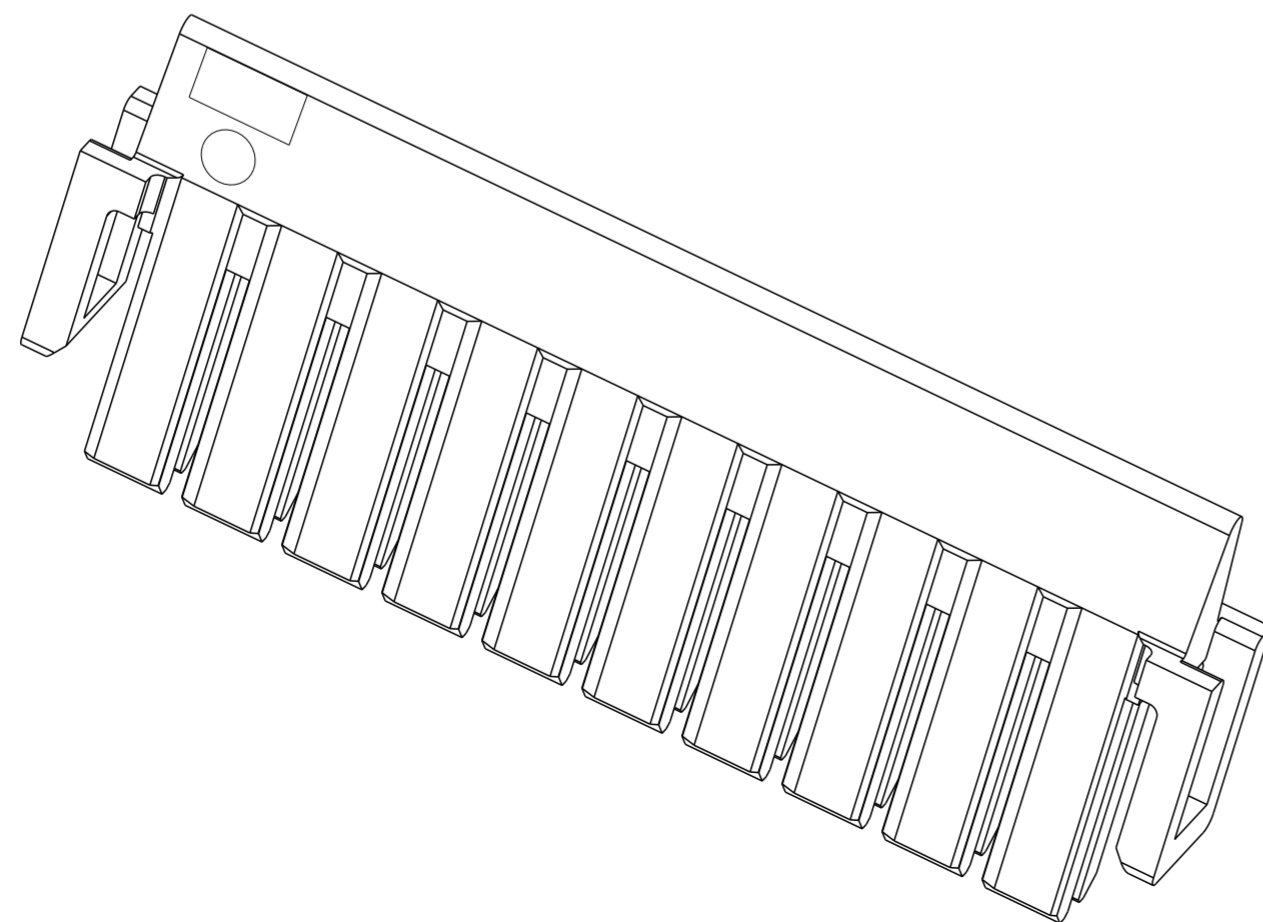
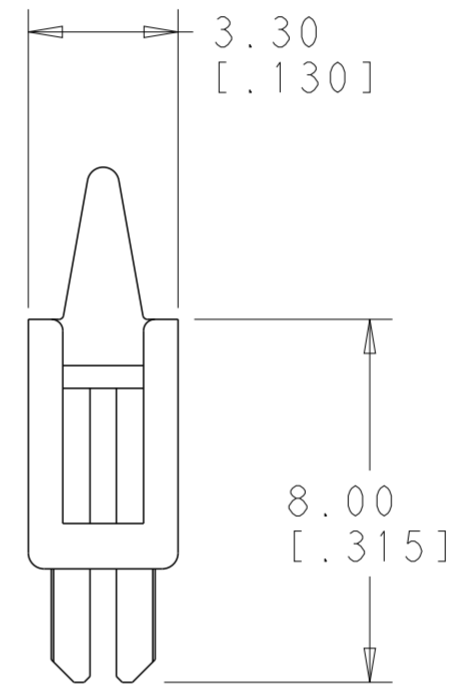
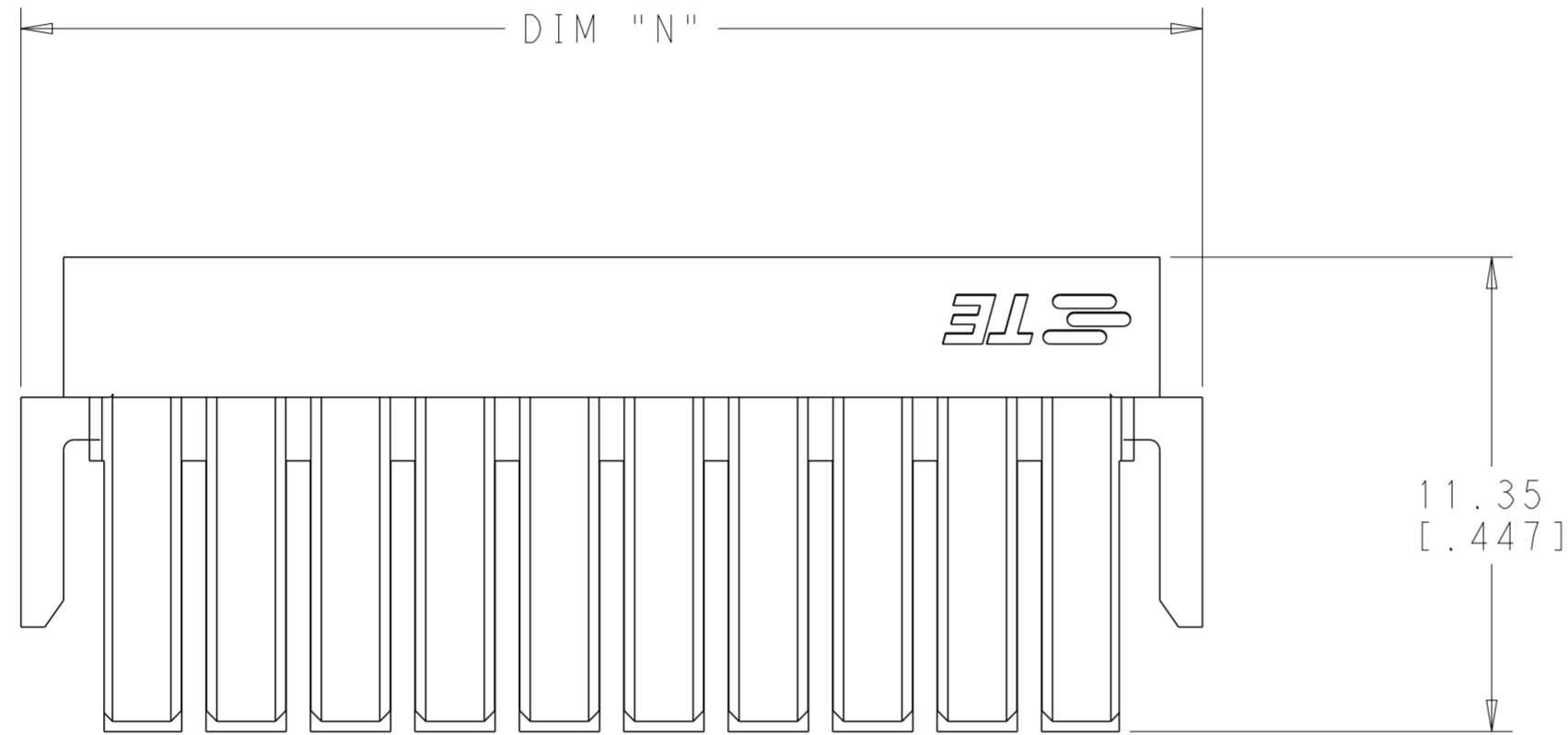
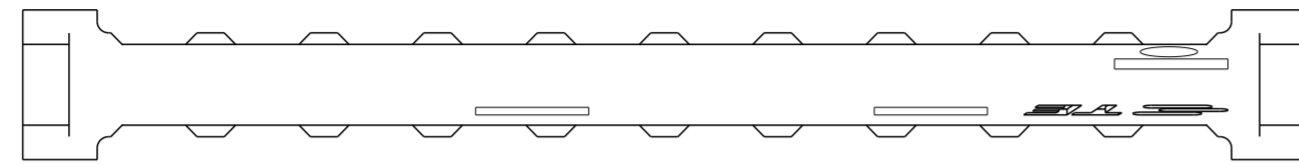
2

1


THIS DRAWING IS UNPUBLISHED. RELEASED FOR PUBLICATION 20  
 © COPYRIGHT 20 BY - ALL RIGHTS RESERVED.

LOC		DIST		REVISIONS			
P	LTR	DESCRIPTION		DATE	DWN	APVD	
AF	50	A2	REVISED PER ECR-15-006219		30APR2015	NK	JR

1 MATES WITH CORRESPONDING PLUG HOUSING  
 PART NUMBER X-1969540-X.



53.28 [2.098]	4-1969541-0
50.78 [1.999]	3-1969541-8
48.28 [1.901]	3-1969541-6
45.78 [1.802]	3-1969541-4
43.28 [1.704]	3-1969541-2
40.78 [1.605]	3-1969541-0
38.28 [1.507]	2-1969541-8
35.78 [1.409]	2-1969541-6
33.28 [1.310]	2-1969541-4
30.78 [1.212]	2-1969541-2
28.28 [1.113]	2-1969541-0
25.78 [1.015]	1-1969541-8
23.28 [.916]	1-1969541-6
20.78 [.818]	1-1969541-4
18.28 [.720]	1-1969541-2
15.78 [.621]	1-1969541-0
13.28 [.523]	1969541-8
DIM "N"	PART NO.

THIS DRAWING IS A CONTROLLED DOCUMENT.		DWN	JR RUTH	21AUG2012	 TE Connectivity
DIMENSIONS: mm [INCHES]		CHK	KURT RANDOLPH	21AUG2012	
TOLERANCES UNLESS OTHERWISE SPECIFIED:		APVD	SAM MACE	21AUG2012	
0 PLC ± 1 PLC ± 2 PLC ±0.13 [.005] 3 PLC ± 4 PLC ± ANGLES ±1 FINISH		PRODUCT SPEC	108-2418	NAME	
MATERIAL	-	APPLICATION SPEC	114-13315	SIZE	A2
COLOR-BLACK		WEIGHT	-	CAGE CODE	00779
Customer Drawing		SCALE 5:1		DRAWING NO	C-1969541
		SHEET 1 OF 1		RESTRICTED TO	-
		REV A2			

# Mouser Electronics

Authorized Distributor

Click to View Pricing, Inventory, Delivery & Lifecycle Information:

[TE Connectivity:](#)

[1-1969541-0](#)