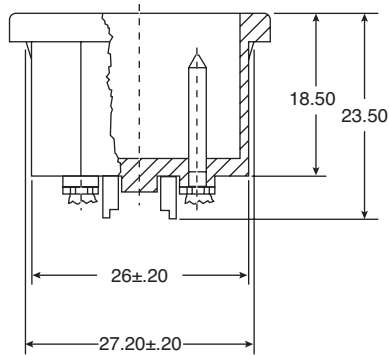
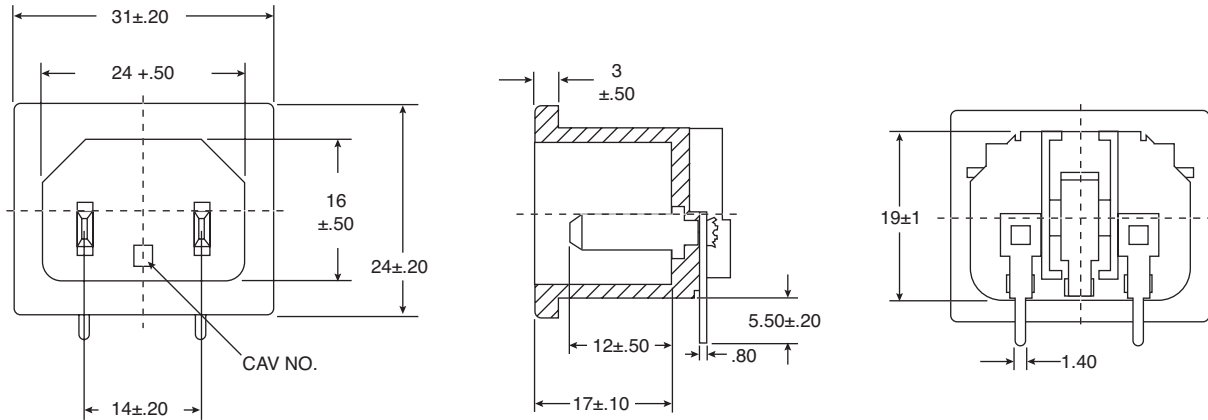


IEC 60320 C14 Inlet

161-R301SN-E



IEC 60320 C14 Inlet



Dimensions: mm

SPECIFICATIONS	
Rating:	15A, 250VAC
Insulation Resistance:	Over 100MΩ at 500VDC
Dielectric Strength:	2000VAC for 1 minute
RoHS Compliant	

Materials	
Body:	Black Glass-Fiber Thermoplastic

Tolerance
X.XX±0.1
XX.XX±0.2
XXX.XX±0.3

Date Last Revised: 8-20-07

Available from Mouser Electronics
1-800-346-6873 / www.mouser.com

KC- 301183

Specifications are subject to change without notice. No liability or warranty implied by this information. Environmental compliance based on producer documentation.

161-R301SN-E

Mouser Electronics

Authorized Distributor

Click to View Pricing, Inventory, Delivery & Lifecycle Information:

[Kobiconn:](#)

[161-R301SN-E](#)