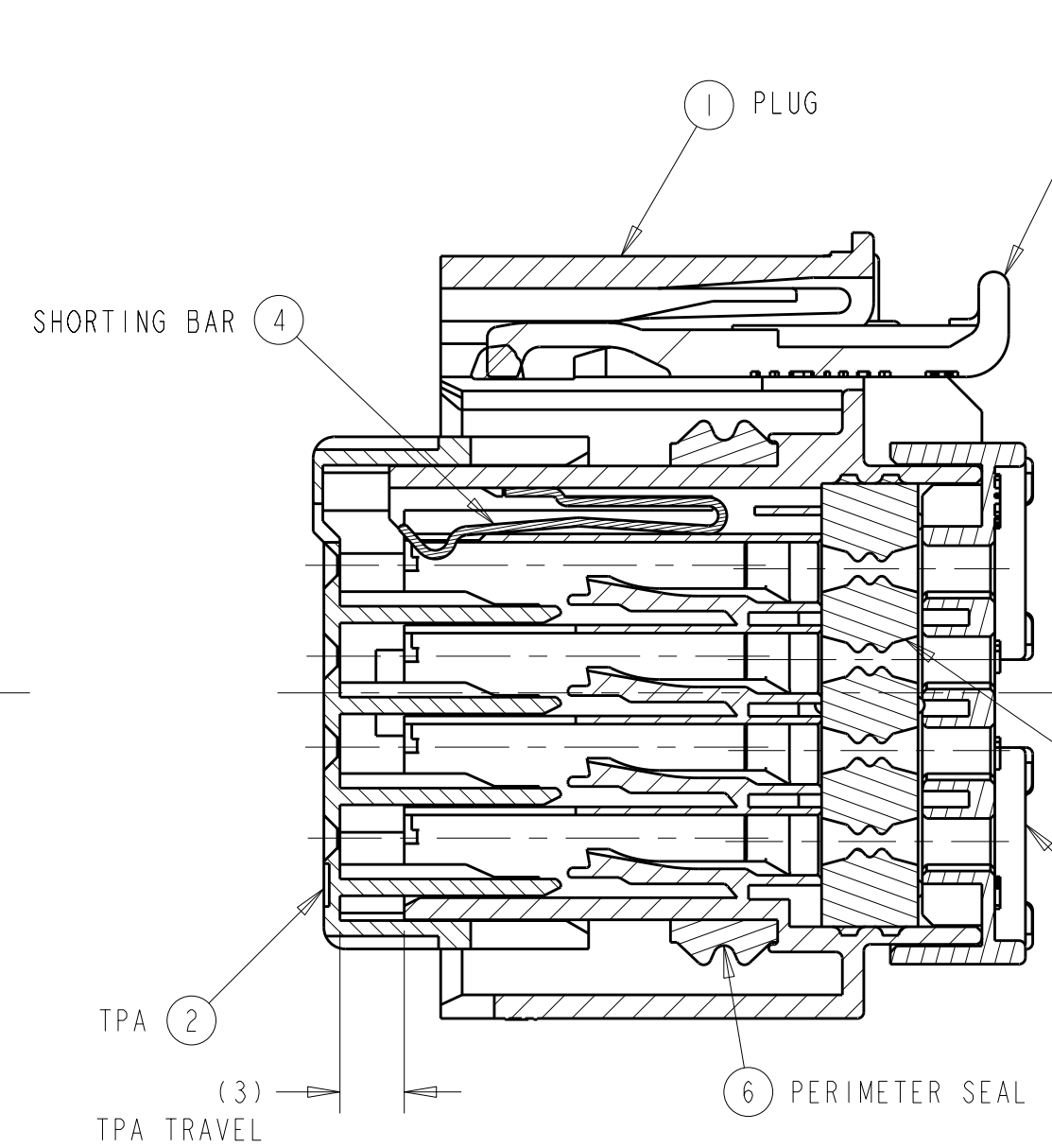
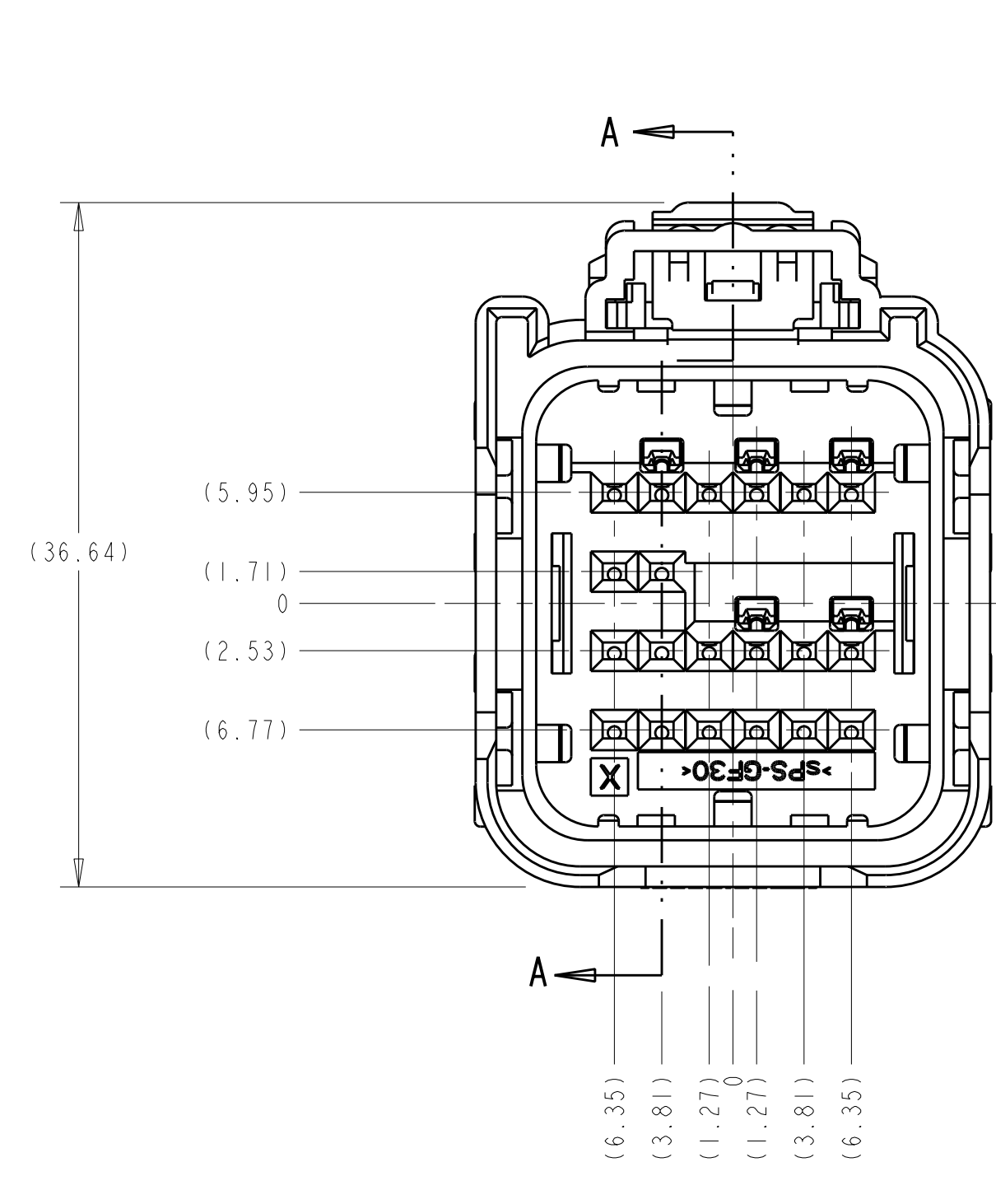
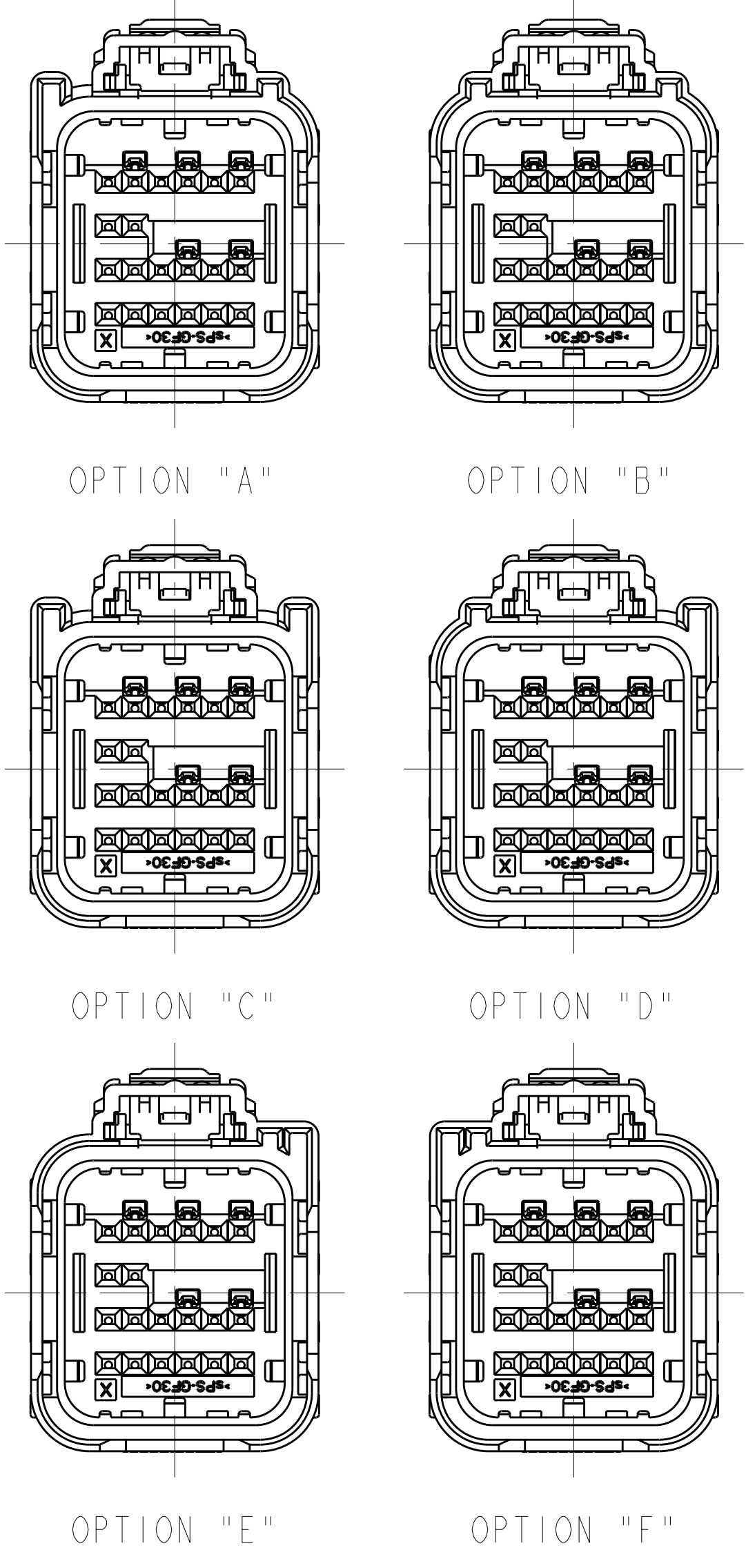
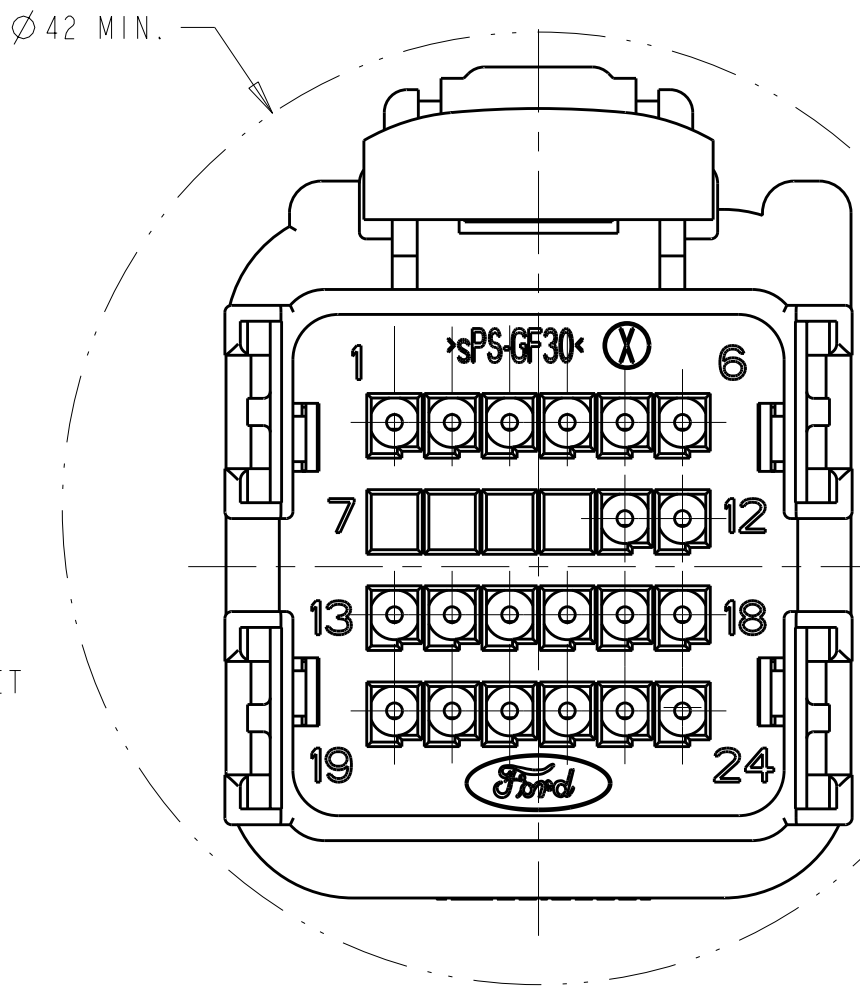


LOC	DIST	REV	DATE	BY	APPD
FX	00	D	19MAY2009	DLD	WTW

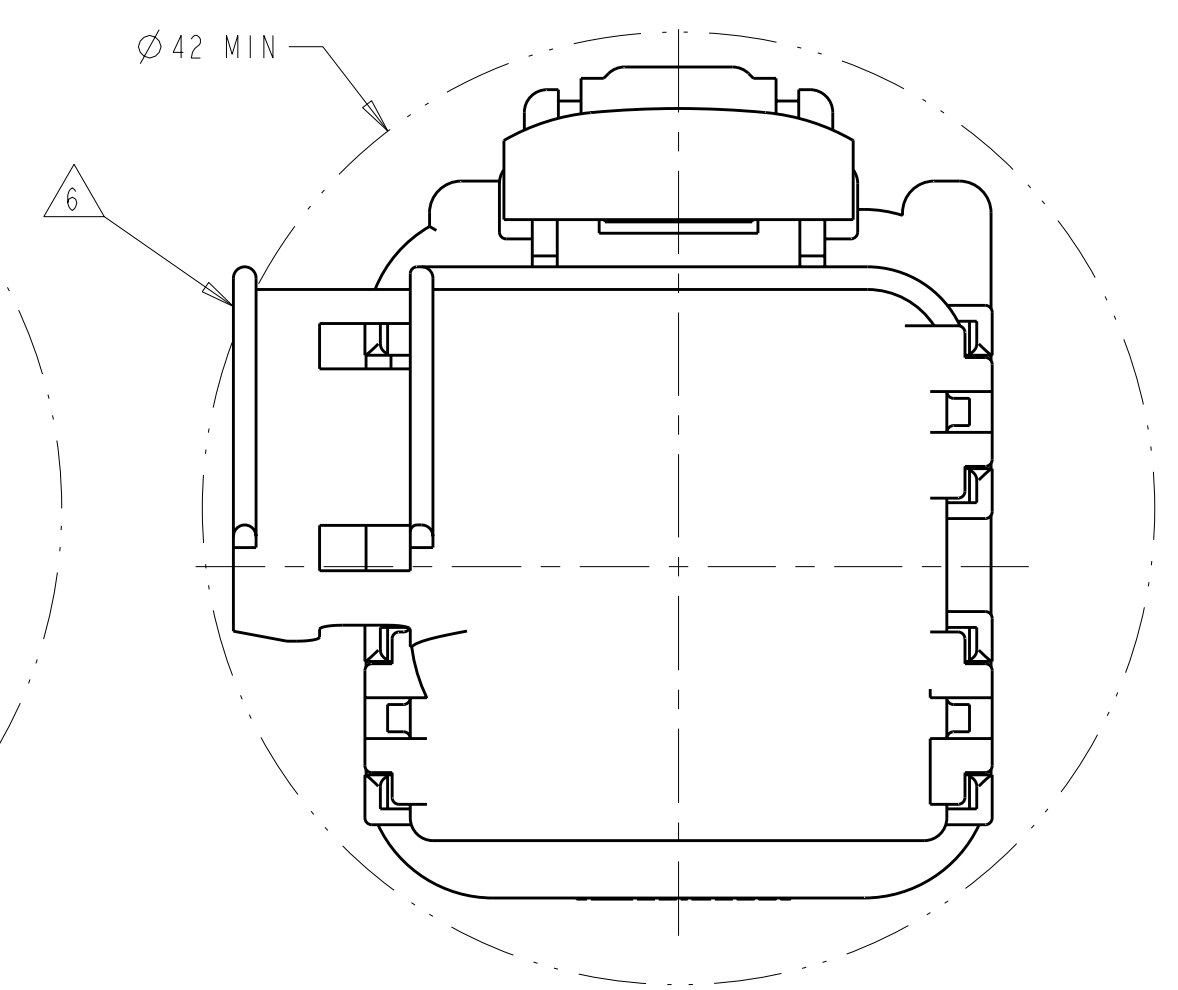
KEYING OPTIONS
SCALE 2:1



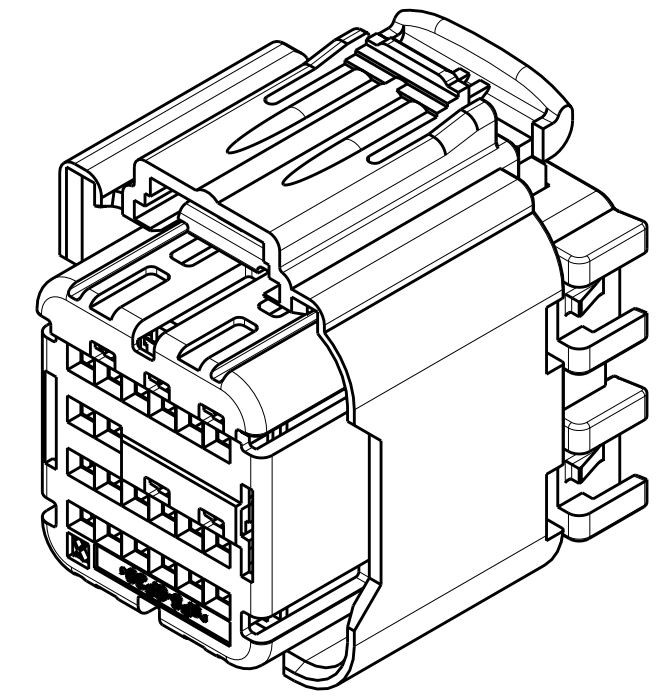
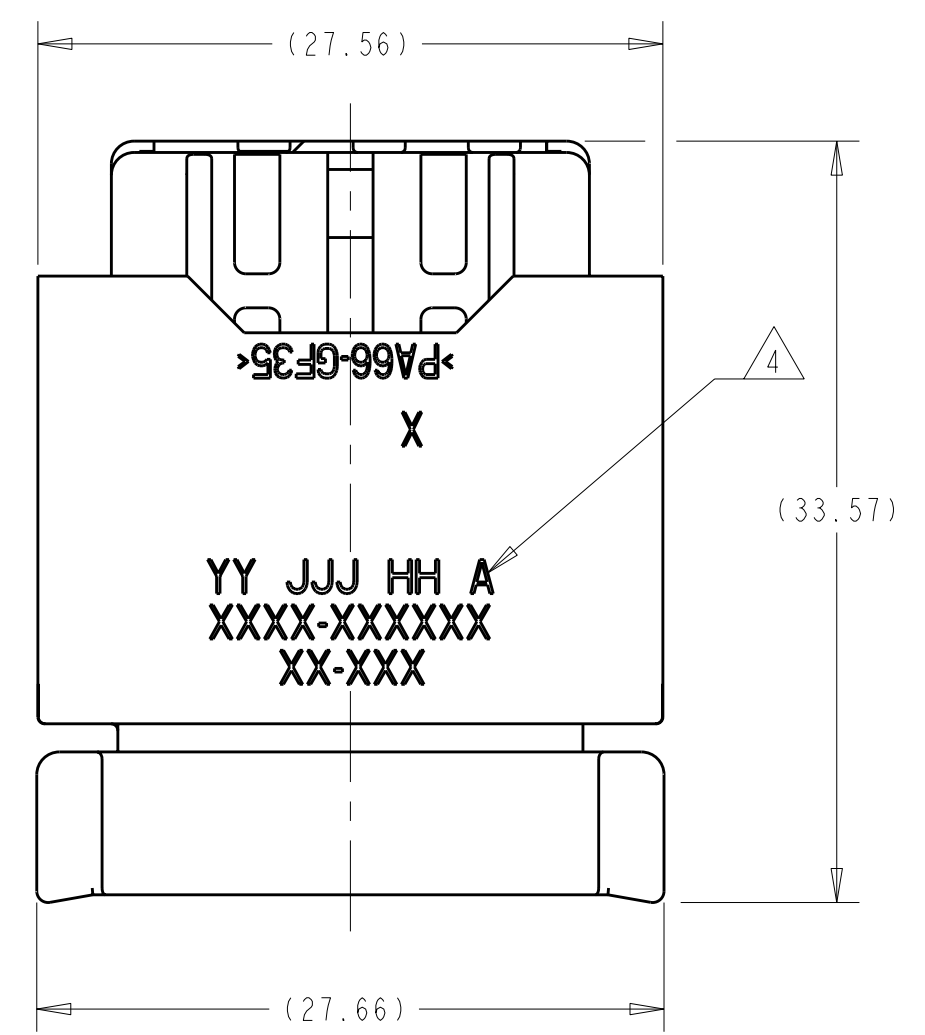
SECTION A-A
SHOWN WITH TPA IN
IT'S PRE-LOADED POSITION
(DELIVERY CONDITION)



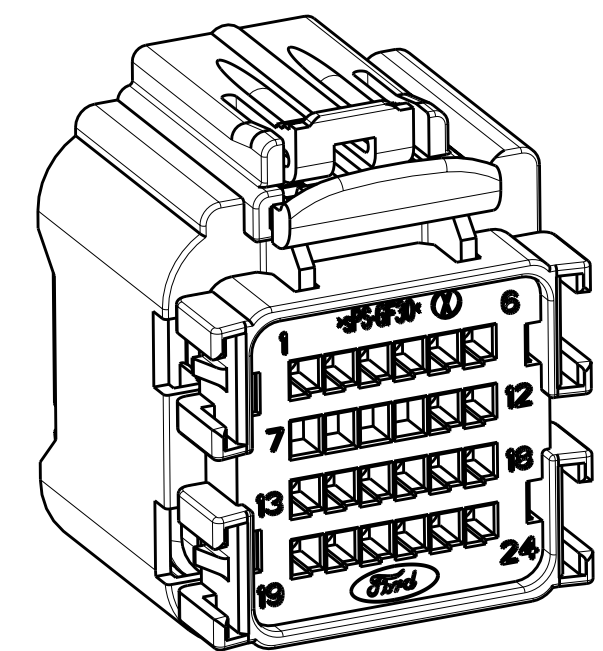
MINIMUM FEED THROUGH CONDITION
WITH 1mm CLEARANCE ALL AROUND



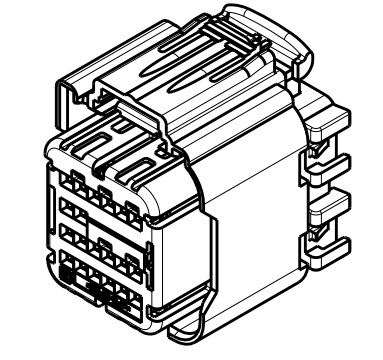
MINIMUM FEED THROUGH CONDITION
WITH 1mm CLEARANCE ALL AROUND
SHOWN WITH OPTION WIRESHIELD



SCALE 2:1



SCALE 2:1



SCALE 1:1

KEYING OPTION "A" SHOWN

- APPLICABLE TERMINAL PART NUMBERS (SOLD SEPARATELY):
FOR TIN APPLICATIONS: 1393367 AND 1393366.
FOR GOLD APPLICATIONS: 1393365 AND 1393364.
FOR TERMINATION AND REELING OPTIONS
SEE DRAWINGS 1393367, 1393366, 1393365, AND 1393364.
- COMPATIBLE WIRE SIZES FOR MAT SEAL DESIGN 1.19 TO 2.06 O.D.
(22-18 AWG, 0.35-0.75 mm²)
- TPA IS SHIPPED IN IT'S PRE-LOADED POSITION.
ALL ASSEMBLIES ARE TO BE TRAY PACKAGED.
- CUSTOMER PART NUMBER AND TRACEABILITY CODE (YY = TWO DIGIT YEAR, JJJ = JULIAN DAY, HH = TWO DIGIT MILITARY HOUR, A = ASSEMBLY PROCESS USED) ARE PRINTED IN THIS LOCATION.
- PART ASSEMBLY WEIGHT WITHOUT TERMINALS AND WITH STANDARD PIN-OUT CONFIGURATION IS 15.35 GRAMS.
- OPTIONAL WIRESHIELD P/N 7-1419157-8 (SOLD SEPARATELY). PLEASE CONTACT YOUR TYCO ELECTRONICS SALES REPRESENTATIVE FOR AVAILABILITY AND PRICING.
- PART NUMBER IS LOADED WITH 4 SHORTING BARS. NO SHORTING BAR LOADED BETWEEN TERMINAL HOLE POSITIONS (9/10).

ITEM	DESCRIPTION	MATERIAL	FINISH/COLOR
7	CPA	PBT-GF15	RED
6	PERIMETER SEAL	SILICONE	GREEN
5	GROMMET	SILICONE	BROWN
4	SHORTING BAR	S.S.	SEE COMPONENT DRAWING
3	COVER	PA66 35% GF	BLACK
2	SPACER FOR SHORTING BAR APPLICATIONS	sPS 30% GF	NATURAL
1	PLUG WITH KEYING OPTION "D" AND 5 SHORTING BAR POSITIONS CONFIGURATION	PA66 35% GF	BLACK
1	PLUG WITH KEYING OPTION "C" AND 5 SHORTING BAR POSITIONS CONFIGURATION	PA66 35% GF	BLACK
1	PLUG WITH KEYING OPTION "B" AND 5 SHORTING BAR POSITIONS CONFIGURATION	PA66 35% GF	BLACK
1	PLUG WITH KEYING OPTION "A" AND 5 SHORTING BAR POSITIONS CONFIGURATION	PA66 35% GF	BLACK

ITEM	DESCRIPTION	MATERIAL	FINISH/COLOR
1	3-1924672-5		
1	1924681-1		
1	1924680-1		
1	3-1924672-4		
1	3-1924672-3		
1	3-1924672-2		
1	5-1924670-1		
1	5-1924670-0		
1	4-1924670-9		
1	4-1924670-8		
1	4-1924670-7		
1	4-1924670-6		
1	4-1924670-5		
1	4-1924670-4		
1	4-1924670-3		
1	4-1924670-2		
1	3-1924670-9		
1	3-1924670-8		
1	3-1924670-7		
1	3-1924670-6		
1	3-1924670-5		
1	3-1924670-4		
1	3-1924670-3		
1	3-1924670-2		
1	1924671-5		
1	1924671-4		
1	1924671-3		
1	3-1924670-1		
1	3-1924670-0		
1	3-1924672-0		
1	2-1924672-9		
1	2-1924672-8		
1	2-1924672-7		
1	2-1924672-6		
1	2-1924672-5		
1	2-1924672-4		
1	2-1924672-3		
1	2-1924672-2		
1	2-1924672-1		
1	1-1924672-0		
1	1-1924672-9		
1	1-1924672-8		
1	1-1924672-7		
1	1-1924672-6		
1	1-1924672-5		
1	1-1924672-4		
1	1-1924672-3		
1	1-1924672-2		
1	1-1924672-1		
1	1-1924672-0		
1	1924672-9		
1	1924672-8		
1	1924672-7		
1	1924672-6		
1	1924672-5		
1	1924672-4		
1	1924672-3		
1	1924672-2		
1	1924672-1		
1	1924671-2		
1	2-1924670-8		
1	1924671-1		
1	2-1924670-7		
1	2-1924670-6		
1	2-1924670-5		
1	2-1924670-4		
1	2-1924670-3		
1	2-1924670-2		
1	2-1924670-1		
1	1-1924670-9		
1	1-1924670-8		
1	1-1924670-7		
1	1-1924670-6		
1	1-1924670-5		
1	1-1924670-4		
1	1-1924670-3		
1	1-1924670-2		
1	1-1924670-1		
1	1-1924670-0		
1	1924670-9		
1	1924670-8		
1	1924670-7		
1	1924670-6		
1	1924670-5		
1	1924670-4		
1	1924670-3		
1	1924670-2		
1	1924670-1		
1	1924670-0		

QUANTITY

TYCO ELECTRONICS CORPORATION
1700 WEST 17TH AVENUE, DENVER, CO 80202-2716
TEL: 303.751.1000 FAX: 303.751.1001

DATE: 23 JUL 2007
CHK: W. VESTAL
APPD: W. WELLINSKY

NAME: 24 WAY ARM PLUG ASSEMBLY WITH SHORTING BARS CUSTOMER SPEC.
SIZE: 00779 C=1924670
SCALE: 3:1 SHEET 1 OF 3 REV D

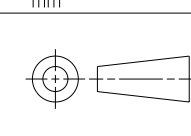
WEIGHT: SEE NOTE 5
CUSTOMER DRAWING

TYCO ELECTRONICS
Harrisburg, PA 17105-3608

THIS DRAWING IS UNPUBLISHED. RELEASED FOR PUBLICATION 20
 © COPYRIGHT 20 BY TYCO ELECTRONICS CORPORATION. ALL RIGHTS RESERVED.

LOC		DIST		REVISIONS			
P	LTB	DESCRIPTION	DATE	DNW	APVD		
-	-	SEE SHEET 1	-	-	-		

ITEM	ASSEMBLY PART NUMBER	DESCRIPTION	MATERIAL	FINISH/COLOR
	7	CPA	PBT-GF15	RED
	6	PERIMETER SEAL	SILICONE	GREEN
	5	GROMMET	SILICONE	BROWN
	4	SHORTING BAR	S.S.	SEE COMPONENT DRAWING
	3	COVER	PA66 35% GF	BLACK
	2	SPACER FOR SHORTING BAR APPLICATIONS	sPS 30% GF	NATURAL
	1	PLUG WITH KEYING OPTION "D" AND 5 SHORTING BAR POSITIONS CONFIGURATION	PA66 35% GF	BLACK
		PLUG WITH KEYING OPTION "C" AND 5 SHORTING BAR POSITIONS CONFIGURATION	PA66 35% GF	BLACK
		PLUG WITH KEYING OPTION "B" AND 5 SHORTING BAR POSITIONS CONFIGURATION	PA66 35% GF	BLACK
		PLUG WITH KEYING OPTION "A" AND 5 SHORTING BAR POSITIONS CONFIGURATION	PA66 35% GF	BLACK
		QUANTITY		

DIMENSIONS: mm 		TOLERANCES UNLESS OTHERWISE SPECIFIED: 9 PLC ± 1 PLC ±0.3 5 PLC ±0.10 4 PLC ± ANGLES ±°		DWN BY: VESTAL 23JUL2007 CHK: W. WELLINSKY APVD: W. WELLINSKY 23JUL2007		Tyco Electronics Harrisburg, PA 17105-3608	
MATERIAL: - FINISH: -		WEIGHT: - CUSTOMER DRAWING		NAME: 24 WAY ARM PLUG ASSEMBLY WITH SHORTING BARS CUSTOMER SPEC. SIZE: A CAGE CODE: 00779 DRAWING NO: C=1924670		RESTRICTED TO: - SCALE: 3:1 SHEET: 2 OF 3 REV: D	

Mouser Electronics

Authorized Distributor

Click to View Pricing, Inventory, Delivery & Lifecycle Information:

[TE Connectivity:](#)

[3-1924670-9](#)