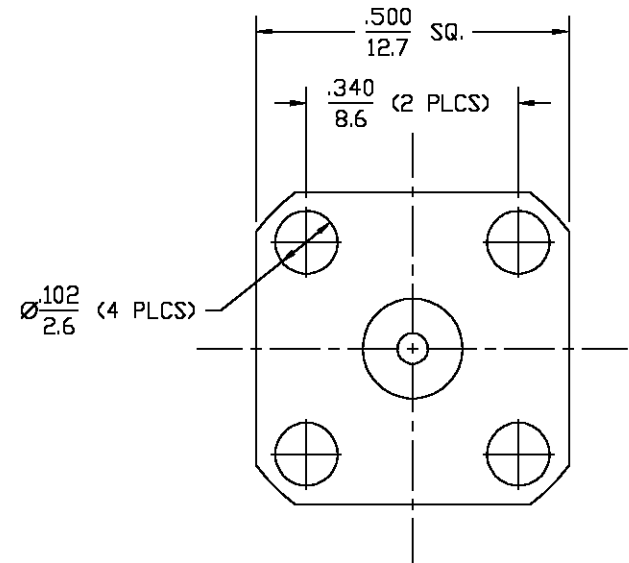
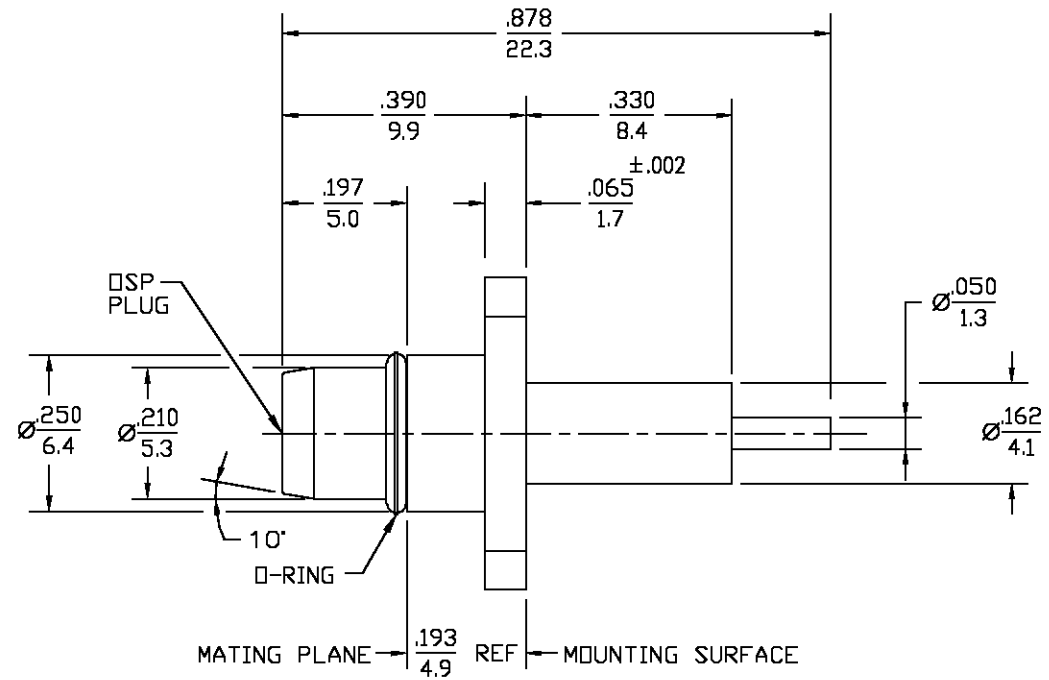


REVISIONS			
REV	DESCRIPTION	DATE	APPROVED
03 <sub>2</sub>	REVISED	7/18/97	<i>[Signature]</i>
C	REVISED PER ECN 0S14-0146-02	G.V. 21MAY03	JGH



ELECTRICAL	MECHANICAL	ENVIRONMENTAL
Nominal Impedance (Ohms) 50	Interface Dimensions MIL-STD-348A FIG. 321-1	TEMPERATURE RATING -65° TO +125°C
Frequency Range (GHz) DC to 18	Force to Engage (In-Lbs MAX) 3	Vibration MIL-STD-202, Method 204, Condition D
Volt Rating (VRMS MAX) @ Sea Level 500	& Disengage (In-Lbs MAX) 1.5	Shock MIL-STD-202, Method 213, Condition I
VSWR 1.05+0.05f(GHz) DC to 18 GHz	Center Contact Captivation	Thermal Shock MIL-STD-202, Method 107, Condition B
Insertion Loss (dB MAX) .03x√f(GHz)	Axial (Lbs) 6.0	Moisture Resistance MIL-STD-202, Method 106
RF Leakage (dB MIN) (Fully Mated) -(60-f(GHz))	Weight (Grams) TBD	Corrosion - MIL-STD-202, Method 101, Condition B
Corona, 70,000 Ft (VRMS MIN) 335		
Dielectric Withstanding Voltage (VRMS MIN) @ Sea Level 1000		
Contact Resistance (Milliohms MAX) Center Contact 2.0		
Outer Contact 2.0		
RF High Potential @ Sea Level (VRMS MIN @ 5 MHz) 1000		
I.R.(Megohms MIN) 5000		

COMPONENT	MATERIAL	FINISH
HOUSING	STAINLESS STEEL PER ASTM-A484 AND ASTM-A582, TYPE 303	PASSIVATE PER QQ-P-35
DIELECTRIC	PTFE FLUOROCARBON PER ASTM-D-1457	N/A
CENTER CONTACT	BRASS PER ASTM B 16	GOLD PLATE PER MIL-G-45204
O-RING	FLOUROSILOCONE PER MIL-R-25988, CLASS I, TYPE I.	N/A

UNLESS OTHERWISE SPECIFIED DIMENSIONS ARE IN INCHES	DRAWN BY JP	DATE 4/13/83
TOLERANCE ON	CHECKED BY AJA	2/7/84
FRAC. DEC. ANGLES	APP'D BY JB	2/27/84
± 1/64 ±.005 ± 1°		

AMP Incorporated  
140 Fourth Avenue  
Waltham, MA 02451-7599

THESE DRAWINGS AND SPECIFICATIONS ARE THE PROPERTY OF M/A-COM INCORPORATED AND SHALL NOT BE REPRODUCED OR COPIED OR USED IN WHOLE OR IN PART AS THE BASIS FOR THE MANUFACTURE OR SALE OF ITEM(S) WITHOUT WRITTEN PERMISSION.	USE ASS'Y PROCEDURE	TITLE OSP 4 HOLE FLANGE MOUNT PLUG RECEPTACLE STRAIGHT TERMINAL	
	NO. A.P. N/A	SIZE B	CODE IDENT NO. 4551-1201-02
		SCALE 4:1	REV 03 <sub>2</sub>

# Mouser Electronics

Authorized Distributor

Click to View Pricing, Inventory, Delivery & Lifecycle Information:

[TE Connectivity:](#)

[4551-1201-02](#)