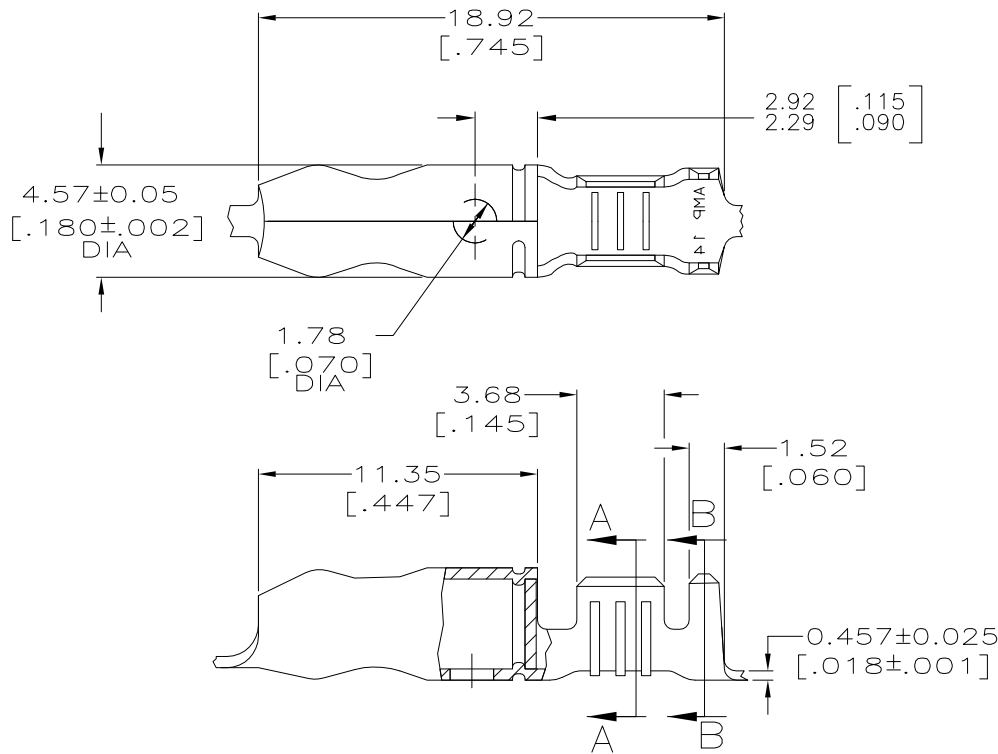


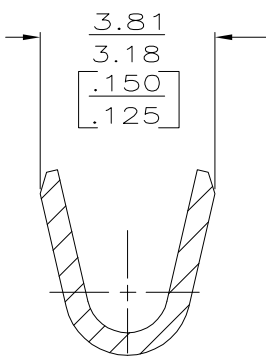
THIS DRAWING IS UNPUBLISHED. RELEASED FOR PUBLICATION  
 © COPYRIGHT - By - ALL RIGHTS RESERVED.

REVISIONS

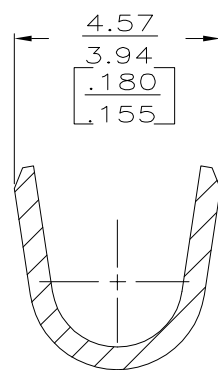
P	LTR	DESCRIPTION	DATE	DWN	APVD
	R3	REVISED PER ECR-17-005324	17APR2017	NK	FV



- 1 CONTINUOUS STRIP ON REEL.
- △2 0.002032 [.000080] MIN TIN PLATE.
- △3 0.002032 [.000080] MIN TIN PLATE OVER 0.00127 [.000050] MIN NICKEL UNDERPLATE.
- △4 WITH INTERLEAVING PAPER
- △5 0.00508 [.000200] MIN SILVER PLATE OVER 0.00127 [.000050] MIN NICKEL PLATE
- △6 0.000762 [.000030] MIN GOLD OVER 0.00127 [.000050] MIN NICKEL UNDERPLATE.
- 7 WIRE SIZE IS [#18-#14] AWG
- 8 INSULATION RANGE IS 2.29-3.18 [.090-.125] DIA
- △9 PRELIMINARY - NOT FOR PRODUCTION



SECTION A-A  
SCALE 10:1



SECTION B-B  
SCALE 10:1

OBSOLETE	△5	081 BRASS	△9	60793-7
	△6	081 BRASS	△9	60793-6
	△2	081 BERYLLIUM COPPER	△9	60793-5 △4
	△2	081 BRASS		60793-4
	△3	081 BRASS		60793-3
	△2	081 BRASS		60793-1
	FINISH	MATERIAL		PART NUMBER

THIS DRAWING IS A CONTROLLED DOCUMENT.		DWN PHILLIP M FORTNEY 11/NOV/96	<b>STE</b> TE Connectivity	
		CHK JEFF R RUTH 11/NOV/96		
DIMENSIONS: mm [INCHES]		APVD GARY YETTER 11/NOV/96		NAME
TOLERANCES UNLESS OTHERWISE SPECIFIED: 0 PLC ± - 1 PLC ± - 2 PLC ± 0.25 [.010] 3 PLC ± - 4 PLC ± - ANGLES ± -		PRODUCT SPEC -		APPLICATION SPEC -
MATERIAL SEE TABLE		WEIGHT 0.000000		SIZE A3
FINISH SEE TABLE		DRAWING NO C=60793		RESTRICTED TO -
CUSTOMER DRAWING			SCALE 5:1	SHEET 1 OF 1
			REV R3	

# Mouser Electronics

Authorized Distributor

Click to View Pricing, Inventory, Delivery & Lifecycle Information:

[TE Connectivity:](#)

[60793-1](#)