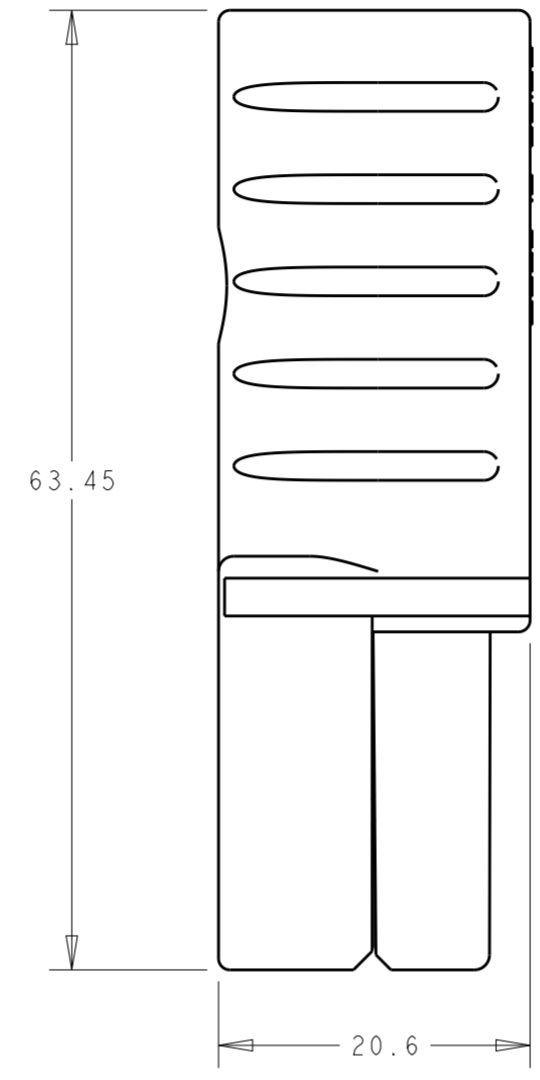
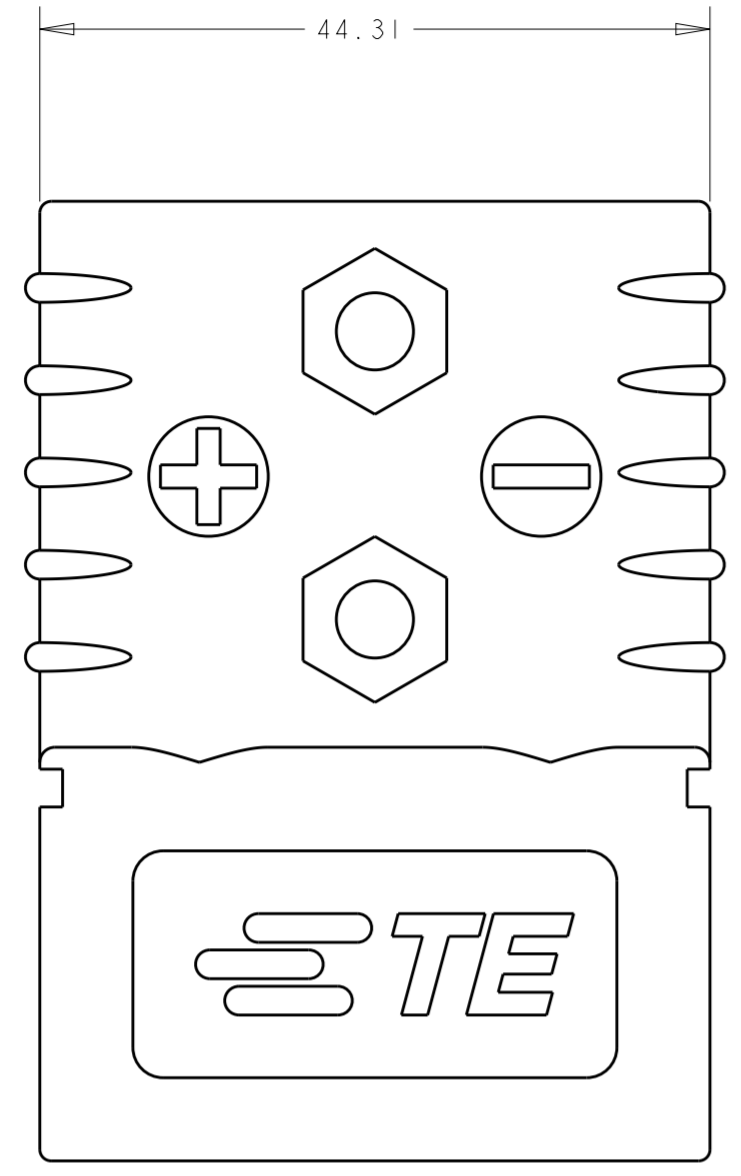
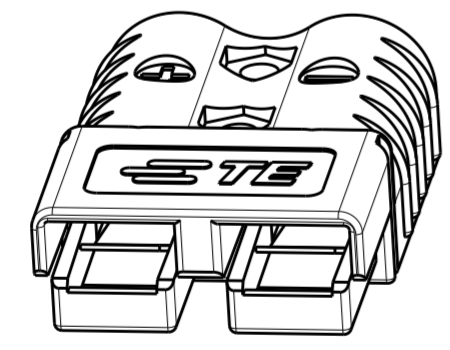


THIS DRAWING IS UNPUBLISHED. RELEASED FOR PUBLICATION 20  
 © COPYRIGHT 20 BY - ALL RIGHTS RESERVED.

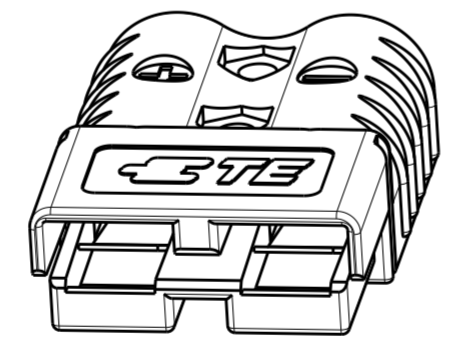
REVISIONS				
P	LTR	DESCRIPTION	DATE	APVD
	C2	REVISED PER ECO-13-017812	13NOV2013	AY SZ



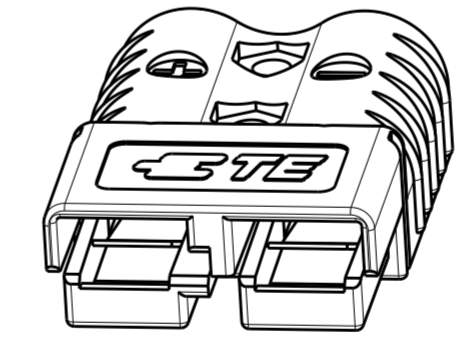
1. THIS PRODUCT HAS PASSED QUALIFICATION AND AGENCY APPROVALS TESTING AND IS COMPONENT RECOGNIZED PER UL 1977 AND CSA 22.2. TE PRODUCT



1445994-1  
SCALE 1:1

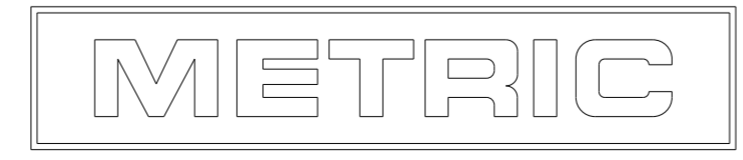


1445994-2  
SCALE 1:1



1445994-3  
SCALE 1:1

RED	1445994-3
BLUE	1445994-2
GRAY	1445994-1
COLOR	PART NUMBER



THIS DRAWING IS A CONTROLLED DOCUMENT.		DWN	BH	28NOV01	TE Connectivity NAME SUB-ASSEMBLY AMP POWER SERIES 120
DIMENSIONS:		CHK	KAK	28NOV01	
mm		APVD	KAK	28NOV01	
TOLERANCES UNLESS OTHERWISE SPECIFIED: 0 PLC ±0.13 1 PLC ±0.13 2 PLC ±0.13 3 PLC ±0.13 4 PLC ±0.13 ANGLES ±° ±° FINISH -		PRODUCT SPEC	-	APPLICATION SPEC	
MATERIAL	-	WEIGHT	-	SIZE	A2
-		CUSTOMER DRAWING		SCALE	2:1
-		-		SHEET	1 OF 1
-		-		REV	C2

# Mouser Electronics

Authorized Distributor

Click to View Pricing, Inventory, Delivery & Lifecycle Information:

[TE Connectivity:](#)

[1445994-2](#)