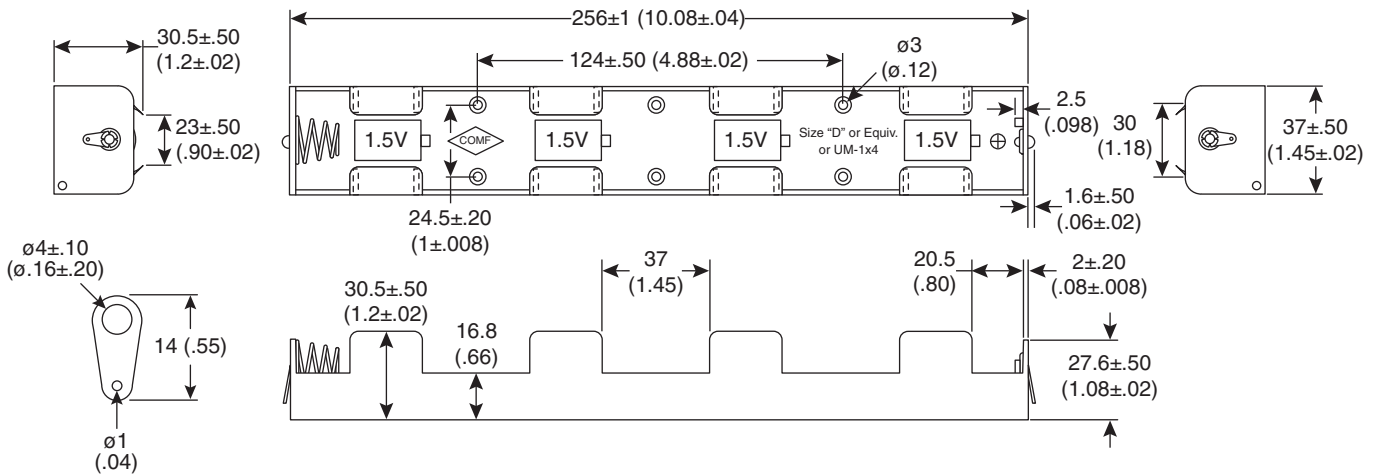
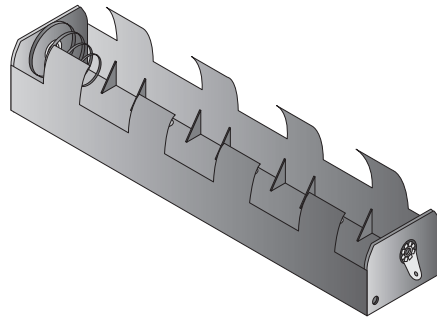


Date Last Revised: 4/5/10



DIMENSIONS: mm (in.)

SPECIFICATIONS

Material:	P.P. Resin, Black Color
Spring:	1.0mm 65C Spring Wire
RoHS Compliant	

Available from Mouser Electronics
1-800-346-6873 / www.mouser.com

EPD-200869

Mouser Electronics

Authorized Distributor

Click to View Pricing, Inventory, Delivery & Lifecycle Information:

[Eagle Plastic Devices:](#)

[12BH145D-GR](#)