

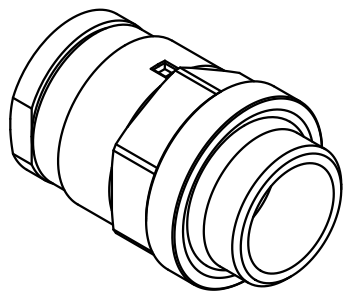
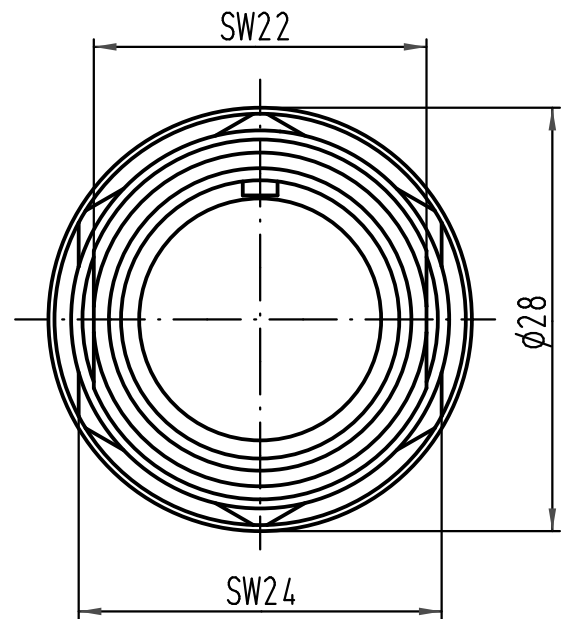
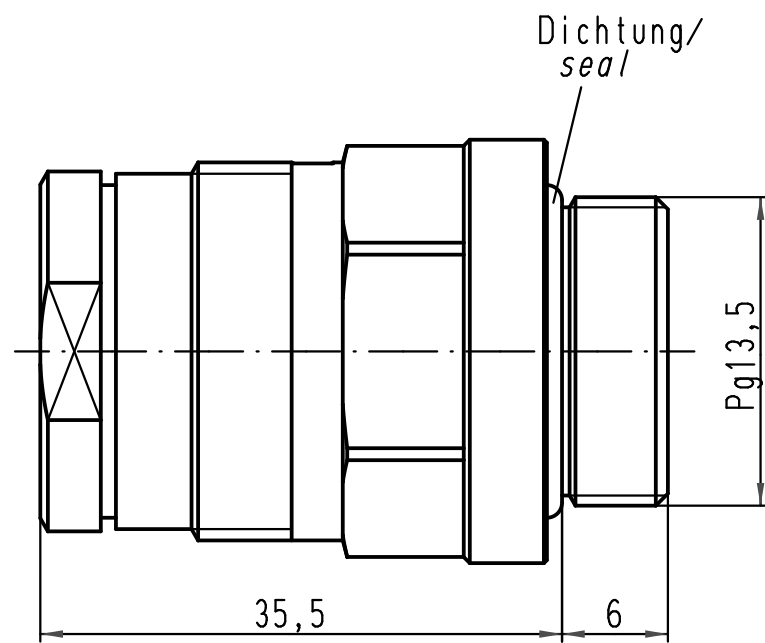
1 2 3 4 5 6

A

B

C

D



All Dimensions in mm Original Size DIN A 4			Techn. Character.			Nicht tolerierte Maß/Free size tolerances			
			Dat.	Name	Maßstab/Scale	<b>R 15 -eg-A1</b> Einschraubgehäuse/ housing screw mounting			
			Detail.	23.02.93 PENNER					
			Insp.	HERB.					
			Stand.						
413155	27.08.07	Ho	HARTING Electric GmbH & Co. KG D-32339 Espelkamp				<b>TB 09 15 000 0121</b>		Blatt/ page
25592	22.03.99	PL							
Mod.	Dat.	Name				Sub. TB 09 15 000 0121 v. 27.03.92			

# Mouser Electronics

Authorized Distributor

Click to View Pricing, Inventory, Delivery & Lifecycle Information:

[HARTING:](#)

[09150000121](#)