



General Description

The ICS1523 is a low-cost, high-performance frequency generator. It is well suited to general purpose phase controlled clock synthesis as well as line-locked and genlocked high-resolution video applications. Using IDT's advanced low-voltage CMOS mixed-mode technology, the ICS1523 is an effective phase controlled clock synthesizer and also supports video projectors and displays at resolutions from VGA to beyond UXGA.

The ICS1523 offers clock outputs in both differential (to 250 MHz) and single-ended (to 150 MHz) formats. Dynamic Phase Adjust (DPA) allows I²C™ control of the output clock's phase relative to the input sync signal. A second, half speed set of outputs that can be separately enabled allows such applications as clocking analog-to-digital converters. The FUNC pin provides either the regenerated input from the phase-locked loop (PLL) divider chain output, or the input HSYNC after being sharpened by the Schmitt trigger. Both signals are then delayed by the DPA.

The advanced PLL uses either its internal programmable feedback divider or an external divider. Either the internal or external loop filters is software selectable. The COAST input pin disables the PLL's charge pump, causing the device to idle at the current speed for short periods of time, such as vertical blanking intervals.

The device is programmed by a standard I²C-bus serial interface and is available in a 24-pin, wide small-outline integrated circuit (SOIC) package.

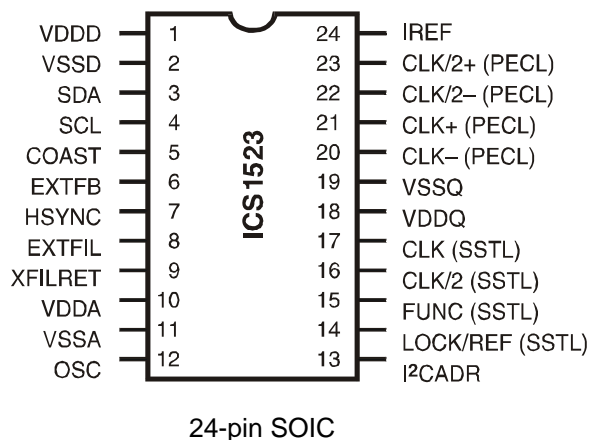
Features

- Low Jitter
- Wide input frequency range
 - 15.734 kHz to 100 MHz
- PECL differential outputs
 - Up to 250 MHz
- SSTL_3 Single-ended clock outputs
 - Up to 150 MHz
- Dynamic Phase Adjust (DPA) for all outputs
 - I²C controlled phase adjustment
 - Full clock cycle down to 1/64 of a clock
- Double-buffered control registers
- External or internal loop filter selection
- COAST input can disable charge pump
- 3.3 VDD
- 5 volt Tolerant Inputs
- Industry Standard I²C-bus programming interface
- PLL Lock detection via I²C or LOCK/REF output pin
- 24-pin 300-mil SOIC package

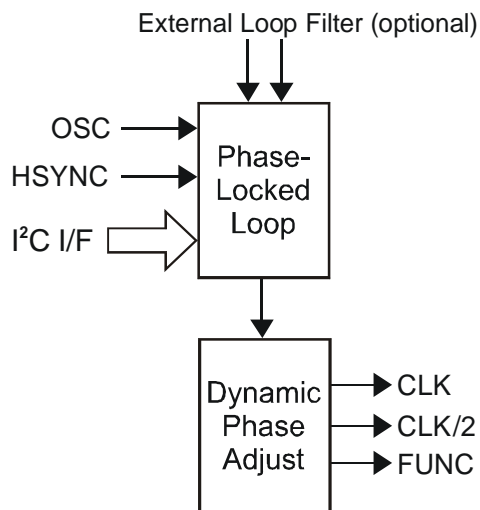
Applications

- Frequency synthesis
- LCD monitors, video projectors and plasma displays
- Genlocking multiple video subsystems

Pin Configuration



ICS1523 Functional Diagram



Section 1 Operational Description

1.1 Naming Conventions

0xY = Register Index Y(hex)

0xY:Z = Register Index Y(hex), bit Z

0xY:Z-Q = Register Index Y(hex), bit Z to Q

1.2 Overview

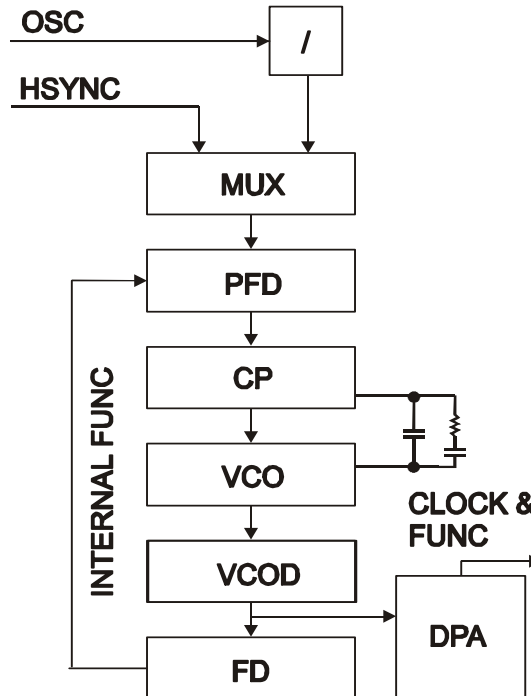
The ICS1523 is a general purpose, high-performance, I2C programmable clock generator. It also addresses stringent graphics system line-locked and genlocked applications and provides the clock signals required by high-performance analog-to-digital converters. Included are a phase-locked loop (PLL) with an over 500MHz voltage controlled oscillator (VCO), a Dynamic Phase Adjust to provide (DPA) output clocks with a programmable phase delay with respect to the input HSYNC. This delay occurs on all PLL outputs including the differential (PECL) and single-ended (SSTL_3) high-speed clock outputs and the FUNC output.

The ICS1523 has the ability to operate in line-locked mode with the HSYNC input or in frequency synthesis mode with the OSC input with a 7 bit input divider. See [Section 6, "OSC Divider and REF"](#)

1.3 Phase-Locked Loop (PLL)

The phase-locked loop has a very wide input frequency range (8 kHz to 100 MHz). Not only is the ICS1523 an excellent, general purpose clock synthesizer, but it is also capable of line-locked operation.

Figure 1-1 PLL Functional Blocks



1.4 Voltage Controlled Oscillator (VCO)

The heart of the ICS1523 is a VCO. The VCOs speed is controlled by the voltage on the loop filter circuit. This voltage is controlled by the charge pump (CP) and will be further described later in this section.

1.5 Charge Pump (CP) and COAST Input

The CPen bit and COAST input pin can enable and disable the Charge Pump as needed. See Register 0:7-6. This is for maintaining the correct speed clock outputs in the absence of reliable HSYNC inputs and is useful for skipping vertical blanking intervals. These intervals can have double frequency serration pulses or even be missing HSYNC pulses completely. The charge pump is asynchronously disabled and synchronously re-enabled on the second input HSYNC after the disable signal goes invalid.

1.6 VCO Divider (VCOD)

The VCOs clock output is first passed through the VCO Divider (VCOD). The VCOD allows the VCO to operate at higher speeds than the required output clock. The VCOD has no effect on the speed of the output clocks, but it increases the VCO frequency, thereby reducing jitter and allowing VCO operation between 100 to 500

MHz even if a low output frequency is required. The output of the VCOD is the full speed output frequency seen on the CLK pins.

1.7 Dynamic Phase Adjust (DPA)

The VCOD output clock is then sent through the DPA for phase adjustment relative to the input HSYNC as well as the 12-bit internal Feedback Divider. An external divider may alternately be used and its output must be input on the EXTFB pin. The feedback divider controls how many clocks are seen during every cycle of the input reference.

The DPA allows a programmable delay between the input HSYNC to the clock and FUNC outputs, relative to the input HSYNC signal on a sub-pixel basis. A delay of up to one clock period is programmable: See Note 6 in [Section 5, "Register Set Details"](#) for more information.

1.8 Feedback Divider (FD) and FUNC

The 12-bit FD controls how many clocks are seen between successive HSYNCs.

The number of clocks per HSYNC is $FB + 8$

The FD output is a 4 CLK wide, active high signal called FUNC. The FUNC signal is aligned with the output clocks via the DPA and is intended to be used by the system as a replacement for the HSYNC input, which is of indeterminate quality and is not aligned with the output clocks. Alternately, the post Schmitt-trigger HSYNC signal can also be DPA delayed and then output on the FUNC pin. See 0x0:5.

1.9 Phase Frequency Detector (PFD)

The PFD compares the FUNC signal to the selected input described below and controls the filter voltage by enabling and disabling the charge pump. The charge pump has programmable current drive and will source and sink current as appropriate to keep the input and the FUNC output aligned.

1.10 HSYNC and REF Inputs

One of the PFDs two possible inputs is HSYNC (pin 7). HSYNC is conditioned by a high-performance Schmitt-trigger. This preconditioned HSYNC signal, called REF, is provided as a reference signal with a short transition time. REF can be output on pin 14.

1.11 OSC Input

The high-frequency OSC input pin, has a 7-bit user programmable divider. OSC can also be selected as the loop input, allowing the loop to operate from any appropriate, single-ended source, typically a crystal oscillator.

1.12 FUNC Output

Either the conditioned HSYNC input or the loop output (recovered HSYNC) is available at the FUNC pin, and is aligned with the output clocks.

1.13 Logic Inputs

The ICS1523 uses Low-Voltage TTL (LVTTTL) inputs that are 5 volt tolerant such as most VESA compliant HSYNC and VSYNC signals.

1.14 Output Drivers

The ICS1523 also has SSTL_3 (EIA/JESD8-8) and low-voltage PECL (Positive ECL) outputs, operating off the 3.3 V supply voltage.

The SSTL_3 and differential PECL output drivers drive resistive terminations or transmission lines. At lower clock frequencies, the SSTL_3 outputs can be operated unterminated. See [Section 9, "Output Termination"](#)

1.15 Power-On Reset Detection (POR)

The ICS1523 has automatic POR circuitry, meaning it resets itself if the supply voltage drops below a threshold values of approximately 1.8 V. No external connection to a reset signal is required.

1.16 I²C Bus Serial Interface

The ICS1523 uses a 5 V tolerant, industry-standard I²C-bus serial interface that runs at either low speed (100 kHz) or high speed (400 kHz). The interface uses 12 indexed registers: one write-only, eight read/write, and three read-only registers.

Two ICS1523 devices can be addressed according to the state of the I2CADR pin. When this pin is low the read address is 4Dh and the write address is 4Ch. When the pin is high, the read address is 4Fh and the write address is 4Eh. See [Section 11, "Programming"](#).



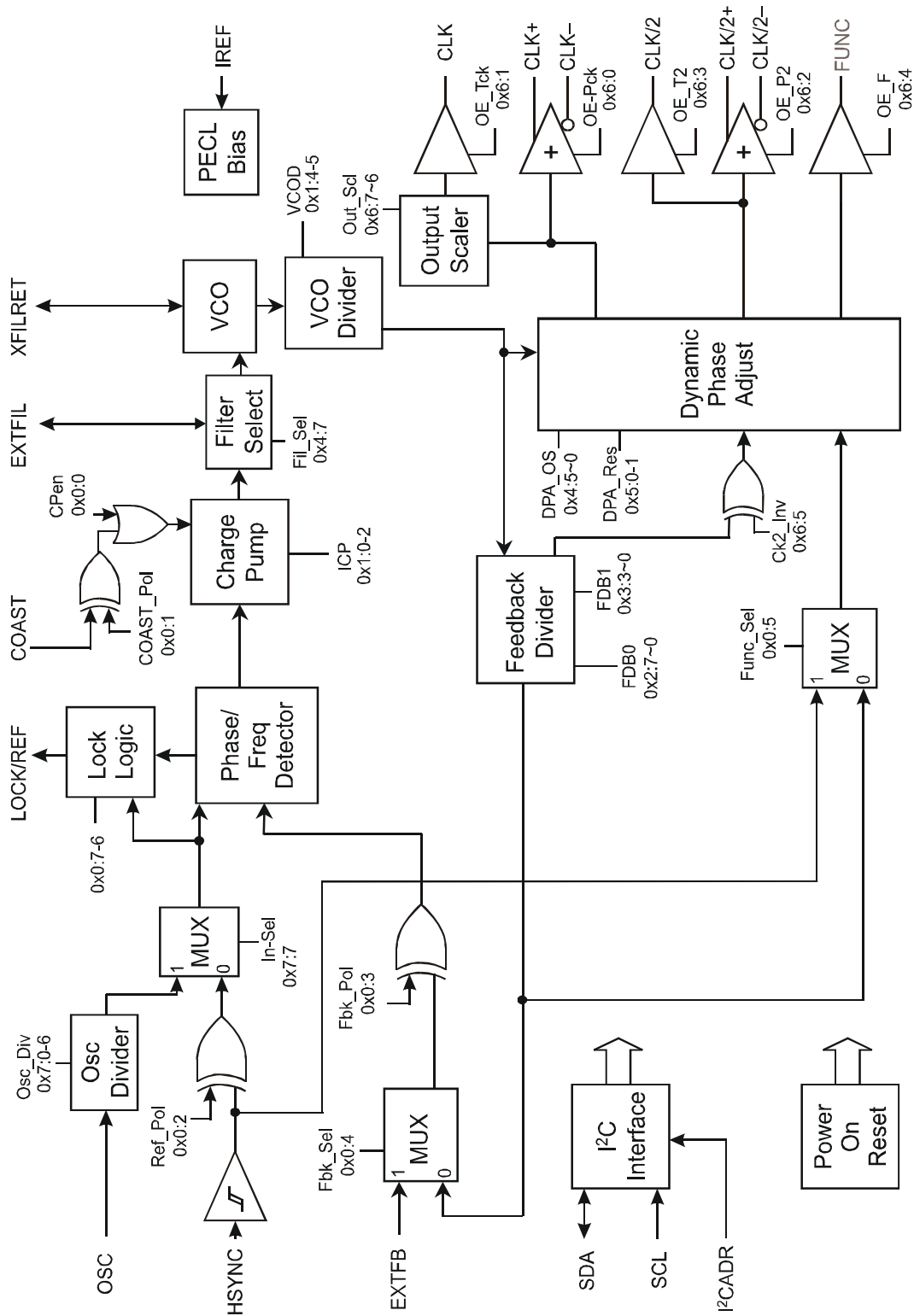
Section 2 Pin Descriptions

PIN NO.	PIN NAME	TYPE	DESCRIPTION	COMMENTS	Notes
1	VDDD	POWER	Digital supply	3.3 V to digital sections	
2	VSSD	POWER	Digital ground		
3	SDA	IN/OUT	Serial data	I ² C-bus Data	1
4	SCL	IN	Serial clock	I ² C-bus Clock	1
5	COAST	IN	Charge pump enable	Enables\Disables the charge pump	1
6	EXTFB	IN	External feedback in	External feedback divider input	1
7	HSYNC	IN	Horizontal sync	Clock input to PLL	1
8	EXTFIL	IN	External filter	External loop filter	
9	XFILRET	IN	External filter return	External loop filter return	
10	VDDA	POWER	Analog supply	3.3 V for analog circuitry	
11	VSSA	POWER	Analog ground	Ground for analog circuitry	
12	OSC	IN	Oscillator	Input from oscillator or other high frequency input	1 & 2
13	I ² CADR	IN	I ² C address	Chip I ² C address select Low = 4Dh read, 4Ch write High = 4Fh read, 4Eh write	
14	LOCK/REF	SSTL_3 OUT	Lock / Reference	REF (Schmitt conditioned HSYNC) or PLL lock output	
15	FUNC	SSTL_3 OUT	Function output	Output selectable between a 4 clock wide, active high HSYNC-like output, and a Schmitt-trigger filtered HSYNC	
16	CLK/2	SSTL_3 OUT	Pixel clock/2 output	Output driver for half speed clock	
17	CLK	SSTL_3 OUT	Pixel clock output	Output driver for full speed clock	
18	VDDQ	POWER	Output driver supply	3.3 V to output drivers	
19	VSSQ	POWER	Output driver ground	Ground for output drivers	
20	CLK-	OD OUT	Pixel clock outputs	PECL driver for full-speed clock	
21	CLK+				
22	CLK/2-	OD OUT	Pixel clock/2 outputs	PECL driver for half-speed clock	
23	CLK/2+				
24	IREF	IN	Reference current	Reference current for PECL outputs	

Note 1: These LVTTTL inputs are 5 V-tolerant.

Note 2: Connect to ground if unused.

Section 3 Functional Block Diagram



(X) denotes pin number

Section 4 Register Set Summary

Reg. Index	Name	Access	Bit Name	Bit#	Reset Value	Description	Note
0x0	Input Control	R / W	CPen	0	1	Charge Pump Enable 0=External Enable via COAST Pin, 1=Always Enabled	3
			CP_Pol	1	0	COAST Pin Charge Pump Enable Polarity 0=Active High, 1=Active Low	3
			Ref_Pol	2	0	External Reference Polarity 0=Positive Edge, 1=Negative Edge	
			Fbk_Pol	3	0	External Feedback Polarity 0=Positive Edge, 1=Negative Edge	
			Fbk_Sel	4	0	External Feedback Select 0=Internal Feedback, 1=External	
			Func_Sel	5	0	FUNC Pin Output Select (DPA delayed) 0=Recovered HSYNC, 1=Input HSYNC	
			EnPLS	6	1	Enable PLL Lock/Ref Status Output 0=Disable 1=Enable	4
			EnRef	7	0	1=Enable Ref to Lock/Ref Output	4
0x1	Loop Control	R / W	ICP0-2	0-2	0	ICP (Charge Pump Current) Bit 2,1,0=(000 = 1 uA, 001 = 2 uA, 010 = 4 uA, 011 = 8 uA, 100 = 16 uA, 101 = 32 uA, 110 = 64 uA, 111 = 128 uA)	1, 6
			Reserved	3	0	Reserved	
			VCOD0-1	4-5	0	VCO Divider Bit 5,4 =(00 = ÷2, 01=÷4, 10=÷8, 11=÷16)	1, 7
			Reserved	6-7	0	Reserved	
0x2	FdBk Div 0	R / W	FBD0-7	0-7	FF	Feedback Divider LSBs (Bit 7, 6, 5, 4, 3, 2, 1, 0) Actual # of clocks = Programmed value + 8	1
0x3	FdBk Div 1	R / W	FBD8-11	0-3	F	Feedback Divider MSBs (Bit 11, 10, 9, 8)	1
			Reserved	4-7	0	Reserved	
0x4	DPA Offset	R / W	DPA_OS0-5	0-5	0	Dynamic Phase Aligner Offset Bit 5, 4, 3, 2, 1, 0 = (MUST be < total # of DPA elements)	8
			Reserved	6	0	Reserved	
			Fil_Sel	7	0	Loop Filter Select (0=External, 1=Internal)	6
0x5	DPA Control	R / W	DPA_Res0-1	0-1	3	DPA Resolution, Total # of delay elements Bit 1, 0 = (00 = 16, 01 = 32, 10 = Reserved, 11 = 64)	2, 8
			Metal_Rev	2-7	0	Metal Mask Revision Number	

Note 1: Double-buffered register. Working registers are loaded during software PLL reset. See 0x8.

Note 2: Double-buffered register. Working registers are loaded during software DPA reset. See 0x8.

Notes 3~8: See [Section 5, "Register Set Details"](#)



4.1 Register Set Summary (continued)

Reg. Index	Name	Access	Bit Name	Bit #	Reset Value	Description	Notes
0x6	Output Enables	R / W	OE_Pck	0	0	Output Enable for PECL CLK (Pins 20, 21) 0=High Z, 1=Enabled	
			OE_Tck	1	0	Output Enable for STTL_3 CLK (Pin 17) 0=High Z, 1=Enabled	
			OE_P2	2	0	Output Enable for PECL CLK/2 (Pins 22, 23) 0=High Z, 1=Enabled	
			OE_T2	3	0	Output Enable for STTL_3 CLK/2 (Pin 16) 0=High Z, 1=Enabled	
			OE_F	4	0	Output Enable for STTL_3 FUNC Output (Pin15) 0=High Z, 1=Enabled	
			Ck2_Inv	5	0	CLK/2 Invert (0=Not Inverted, 1= Inverted)	
			Out_Scl	6-7	0	CLK Scaler (pin 17) Bit 7, 6 = (00 = ÷ 1, 01 = ÷ 2, 10 = ÷ 4, 11 = ÷ 8) See Section 5, "Register Set Details"	
0x7	Osc_Div	R / W	Osc_Div 0-6	0-6	0	Osc Divider modulus See Section 6, "OSC Divider and REF"	
			In-Sel	7	1	Input Select 0=HSYNC Input, 1=Osc Divider	
0x8	Reset	Write	DPA	0-3	x	Writing xAh resets DPA and loads working 0x5	
			PLL	4-7	x	Writing 5xh resets PLL and loads working 0x1- 0x3	
0x10	Chip Ver	Read	Chip Ver	0-7	17	Chip Version 23 Dec (17h) as in 1523	
0x11	Chip Rev	Read	Chip Rev	0-7	01	Initial value 01h. Value Increments with each all-layer change.	
0x12	Rd_Reg	Read	Reserved	0	N/A	Reserved	
			PLL_Lock	1	N/A	PLL Lock Status 0=Unlocked, 1=Locked	
			Reserved	2-7	0	Reserved	

Section 5 Register Set Details

Register Conventions

0xY:Z = Register Index Y(hex), bit Z

0xY:Z~Q = Register Index Y(hex), bit Z to Q

Note 3- COAST - Charge Pump Enable/Disable

CP_Pol	CPen	
0x0:1~0		Charge Pump Enabled If...
0 0		COAST (Pin 5) = 1
x 1		Always Enabled (Default)
1 0		COAST (Pin 5) = 0

The COAST input can be used to disable the charge pump during the vertical blanking interval if the input HSYNC input changes frequency during this time. The charge pump is asynchronously disabled and synchronously re-enabled on the second input HSYNC after the disable signal goes invalid. This pin can be connected to VSYNC or pulled to either rail if unused.

Note 4 - LOCK/REF Function

EnPLS	-	IN_SEL	
0x0 bit 7~6		0x7bit 7	LOCK/REF Output
0 0	-	0	
0 1	-	PLL locked = 1 else 0	
1 0	-	RESERVED	
1 1	0	Post Schmitt trigger HSYNC (pin 7) XOR REF_Pol (0x0:2)	
1 1	1	F _{OSC} / (OSC_DIV +2)	

Note 5- CLK Output Divider

0x6 bit 7,6	CLK Divider
0 0	1 (default)
0 1	2
1 0	4
1 1	8

SSTL_3 CLK Freq. = Output Freq. / CLK Divider

Note 6 - ICP - Charge Pump Current

0x1 Bit 2~0	Charge Pump Current (µA)
0 0 0	1
0 0 1	2
0 1 0	4
0 1 1	8 (Typical Internal Filter Value)
1 0 0	16
1 0 1	32
1 1 0	64
1 1 1	Reserved

Increasing the charge pump current makes the loop respond faster, raising the loop bandwidth. The typical value when using the internal loop filter is 011.

Note 7 - VCO Divider

0x1:bit 5,4	VCO Divider
0 0	2 (default)
0 1	4
1 0	8
1 1	16

This is used to keep the VCO running at faster speeds even when the output frequency is low.

VCO speed = Output Frequency * VCO Scaler

Note 8 - DPA Offset Ranges

0x5 bit 1-0	# of DPA Delay Elements (d)	0x4 bit 5-0 Max. (h)	Clock Range (MHz)	
			Min	Max
0 0	16	0F	48	160
0 1	32	1F	24	80
1 0	Reserved			
1 1	64	3F	12	40

Using the DPA above 160 MHz is not recommended. Set DPA_OS = 0 for speeds in excess of 160 MHz to bypass the DPA.

The DPA Resolution Select register (0x5:0~1) is double-buffered. Working registers are loaded only after a DPA software reset (0x8=xA)

For more details, See [Figure 11.2](#)

Section 6 OSC Divider and REF

The ICS1523 accepts a single-ended clock on pin 12, the OSC input. The period of this input signal becomes the high time of the REF signal and the low time is controlled by 0x7:0~6.

The resulting REF signal can be used as an input to the PLL's phase detector to allow the ICS1523 to synthesize frequencies without an HSYNC input when 0x7:7=1.

This REF signal may also be output on the LOCK/REF pin (14) when 0x0:6-7 = 11

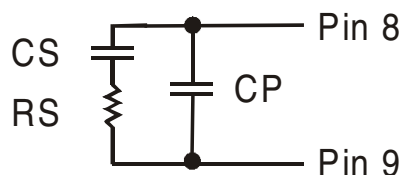
Table 6-1 REF Functionality

Parameter	Value
REF Frequency	(Input Osc Frequency) * [(0x7: 6~0) + 2]
REF High Time	Input OSC Period
REF Low Time	[(0x7: 6~0) + 1] * Input OSC Period
Minimum OSC Divider	3 (0x7:6~0 = 000001)
Maximum OSC Divider	129 (0x7:6~0 = 111111)
RESERVED OSC Divider	0 (0x7:6~0 = 000000)

Section 7 Loop Filter

The ICS1523 contains an internal loop filter, but also supports the use of an external loop filter configured as in [Figure 7-1](#). Selection between these two filters is controlled by 0x4:7. The external filter is selected when 4:7=0; internal filter is selected with a 1.

Figure 7-1 External Loop Filter



While the internal loop filter works well for most applications, IDT still recommends the implementation of an external filter network on all designs.

Implementing the external loop filter gives the system engineer flexibility to add external filter functionality if without having to alter the PCB.

7.1 External Filter Recommendations

IDT recommends the following as a general purpose external loop filter:

$$CS = 3300 \text{ pF}$$

$$RS = 6.8 \text{ k}\Omega$$

$$CP = 33 \text{ pF}$$

Special considerations must be made in selecting loop capacitors CS and CP.

Section 8 PLL Parameter Settings

Settings for all standard VESA video modes are provided by IDT as a starting point for the systems engineer. These files are in human readable text files (*.ics files) and come bundled within the ICS1523 Register Editor Tool.

This tool directly drives the ICS1523EB Evaluation Board and can be downloaded from the IDT web site.

Section 9 Output Termination

9.1 PECL Description

The ICS1523 PECL outputs consist of open-drain, current-source, pull-down transistors. An external resistor network permits complete flexibility of logic levels and source impedance. This section describes the design procedure to select the resistor values and the pull-down current for these devices.

9.2 PECL Output Structure

The output stage and external circuitry are shown below in Figure 9-1. The output devices are open-drain pull-downs. The two output transistors switch differentially, steering the current source (programmable via RSET) from one output to the other.

For the high logic level, the output transistor is off, so the logic level is set by the ratio of R_A and R_B and the voltage V_{AA} . Generally, V_{AA} will be equal to V_{DD} .

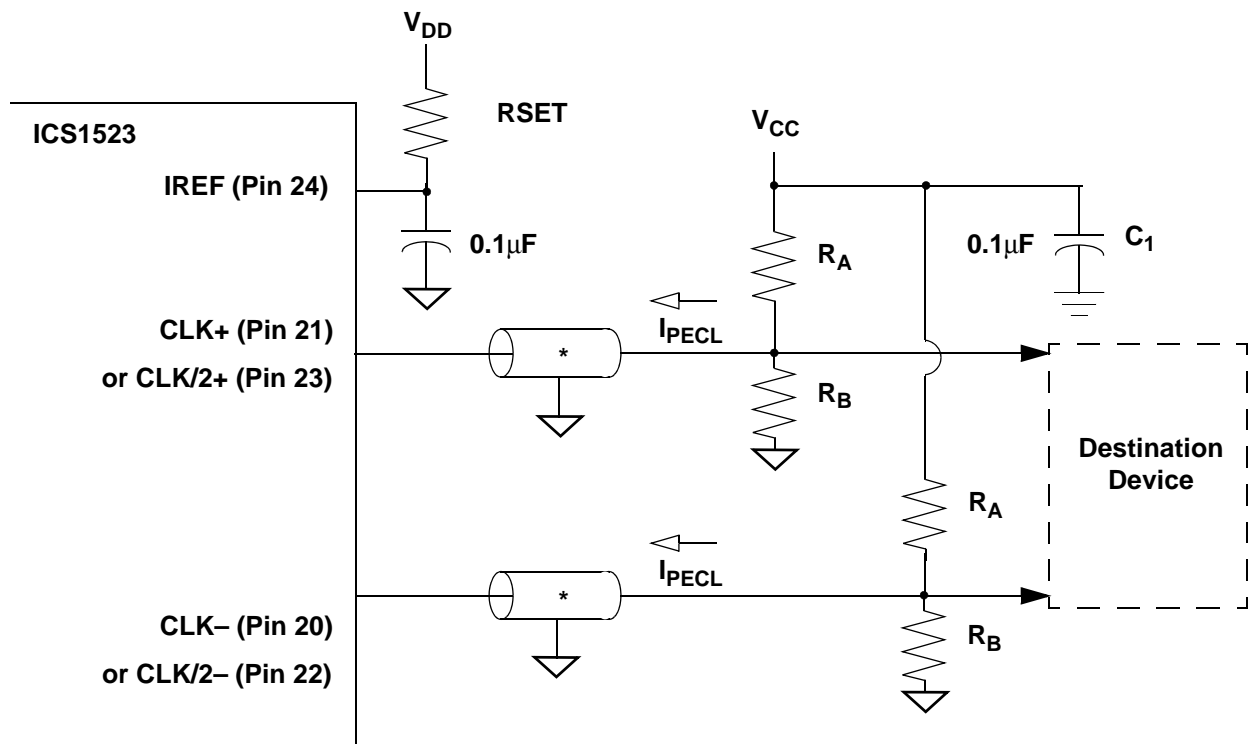
For logic low, the pull-down transistor turns on, pulling the output voltage down to the low logic level. Decoupling capacitor C_1 should be a $0.01\mu\text{F}$ high-frequency ceramic unit, and all power pins on the ICS1523 should also be decoupled with similar capacitors.

9.3 PECL Design Assumptions

All referenced voltages in this application note are positive and referenced to the GND pin of the chip. However, negative logic levels can be generated by level shifting, i.e. connecting the V_{DD} pin of the device to system ground and the GND pin to a negative voltage.

All logic levels must be between GND and the lesser of V_{AA} and V_{DD} . Then, nodal equations are written, with resistances transformed into conductances.

Figure 9-1 PECL Termination Network



* Coaxial cable, microstrip, or stripline, with $Z_0 = R_L$. Typically, coaxial cable, microstrip, or stripline is not required if the distance from the ICS1523 to the PECL load is short (that is, < 3 cm).

9.4 PECL Example

Determine V_{OL} and V_{OH} for target device, as follows (see also [Figure 9-1](#)):

1. Choose Z_0
2. $RA = (VCC * Z_0) / VOH$
3. $RB = (Z_0 * RA) / (RA - Z_0)$
4. $RSET = \frac{(16.661E-3 * -(VCC/RA) + (VOL/RA) + (VOL/RB))}{2.4E-6}$

For more detailed equations regarding PECL termination, please see the MAN09 application note on the IDT web site.

Section 10 SSTL_3 Outputs

The ICS1523 incorporates SSTL_3 outputs on FUNC (pin 15), CLK/2 (pin 16), and CLK (pin 17).

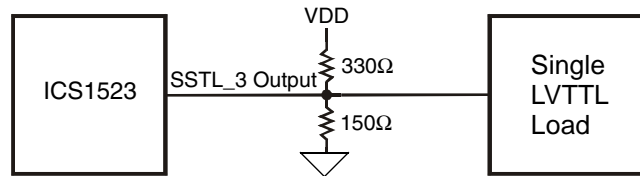
10.1 Unterminated Outputs

In the ICS1523, unterminated SSTL_3 output pins display exponential transitions similar to those of rectangular pulses presented to RC loads. The 10 to 90% rise time is typically 1.6 ns, and the corresponding fall time is typically 700 ps. This asymmetry and external capacitive loading contribute to duty cycle distortion at higher output frequencies. Typically, no termination is required for either the LOCK/REF, FUNC, and CLK/2 outputs. The CLK output works up to approximately 135 MHz, and normally requires no termination.

10.2 Terminated Outputs

SSTL_3 outputs are intended to be terminated into low impedances to reduce the effect of external circuit capacitance. Use of transmission line techniques enables use of longer traces between source and driver without increasing ringing due to reflections. Where external capacitance is minimal and substantial voltage swing is required to meet LVTTTL V_{IH} and V_{OL} requirements, the intrinsic rise and fall times of ICS1523 SSTL_3 outputs are only slightly improved by termination in a low impedance.

Figure 10-1 SSTL_3 Outputs



The ICS1523s SSTL_3 output source impedance is typically less than 60Ω. Termination impedance of 100Ω reduces output swing by less than 30% which is more than enough to drive a single LVTTTL load.

10.3 Using SSTL_3 Outputs with CMOS or LVTTTL Inputs

Per EIA/JESD8-8, SSTL_3 outputs are intended to provide a moderate voltage swing across a low-impedance load at the end of a transmission line. However, if an SSTL_3 output is connected directly to a destination LVTTTL-compatible input, it can provide nearly rail-to-rail swings (from 0 to 3.3 V). The equivalent source impedance of these outputs is typically 30 to 50Ω. The FUNC and LOCK/REF signals are both at the input HSYNC frequency rate. As a result, if these signals are directly connected to a destination LVTTTL-compatible input, this direct connection does not typically result in signal degradation.

The CLK and CLK/2 signals operate at much higher frequency rates, and if they are directly connected to a destination LVTTTL-compatible input, they can exhibit distortion. For example, their waveforms can appear as though some shunt capacitance is present across the output load. This equivalent RC effect limits the highest frequency at which the SSTL_3 outputs can be used. For these applications, the PECL outputs must be used instead.

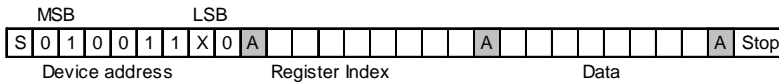
IDT recommends traces less than 3 cm for all high-frequency signals.

Section 11 Programming

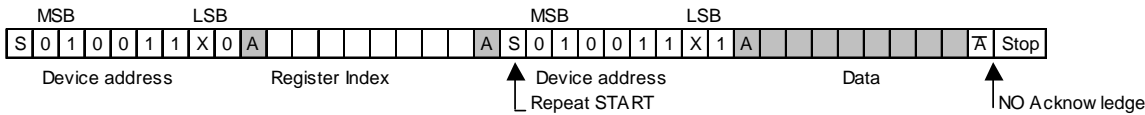
11.1 Industry-Standard I²C Serial Bus: Data Format

Figure 11-1 ICS1523 Data Format for I²C 2-Wire Serial Bus

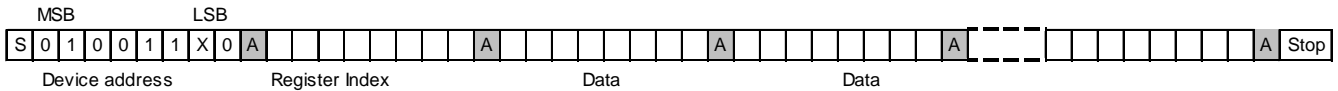
Write Procedure for Single Register



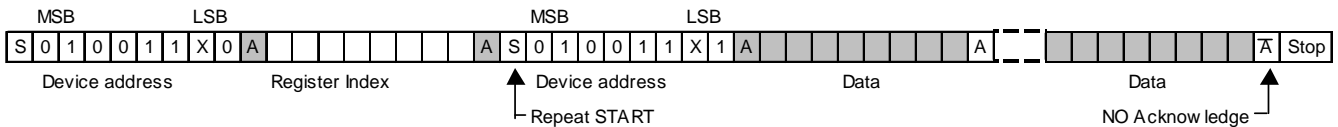
Read Procedure for Single Register



Write Procedure for Multiple Registers (Note 1)



Read Procedure for Multiple Registers (Note 1)



Legend

All values are sent with the most-significant bit (MSB) first and least-significant bit (LSB) last.

S = Start (SDA goes low when SCL was high, then SCL goes low too)

A = ACK = Acknowledge = 0

A-bar = $\overline{\text{ACK}}$ = No Acknowledge = 1

X = Bit value that equals logic state of SBADR pin.

--- = (Dashed Line) Multiple transactions

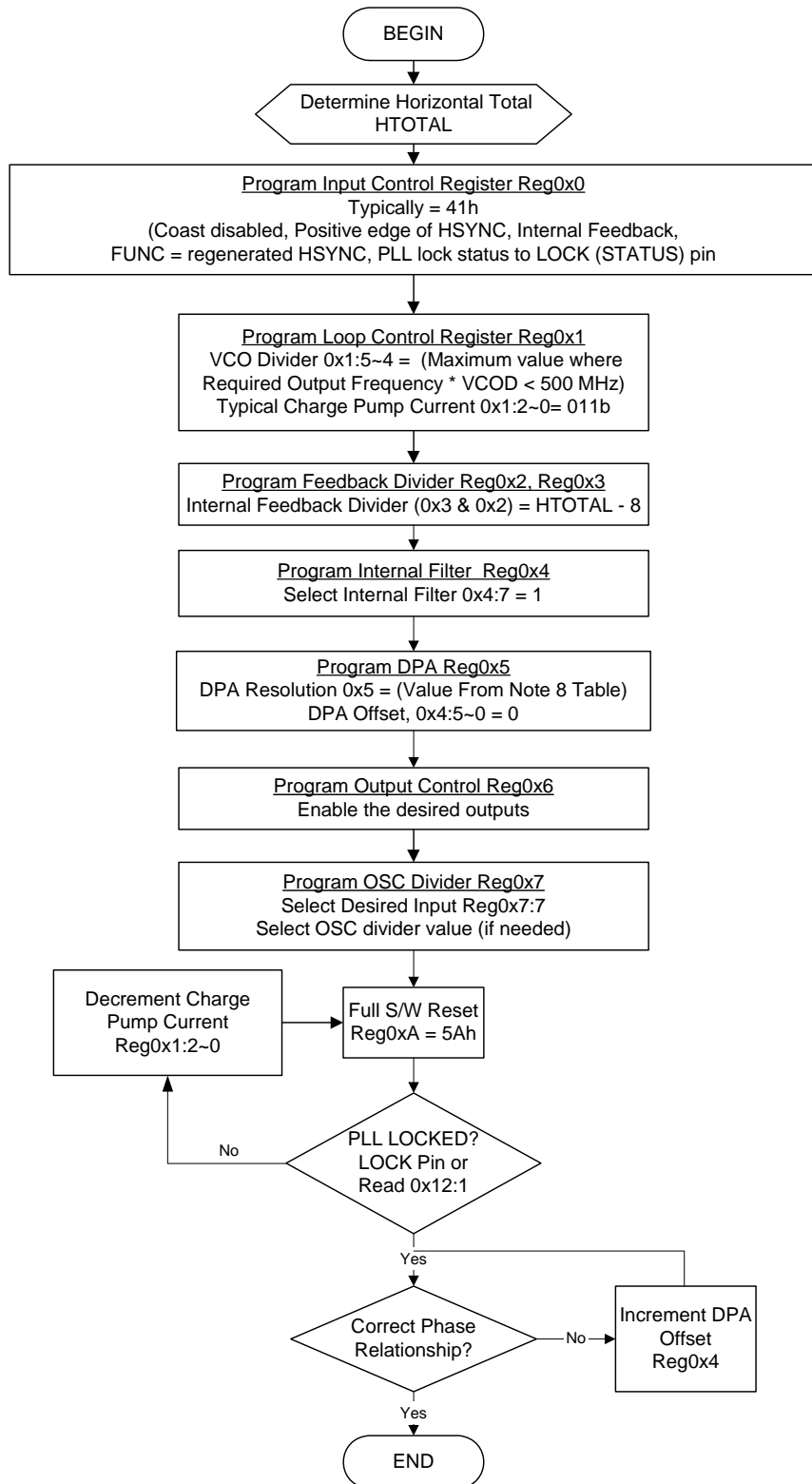
□ = Bus Master drives signal to ICS1523

■ = ICS1523 (Slave Device) drives signal to Bus Master

Note:

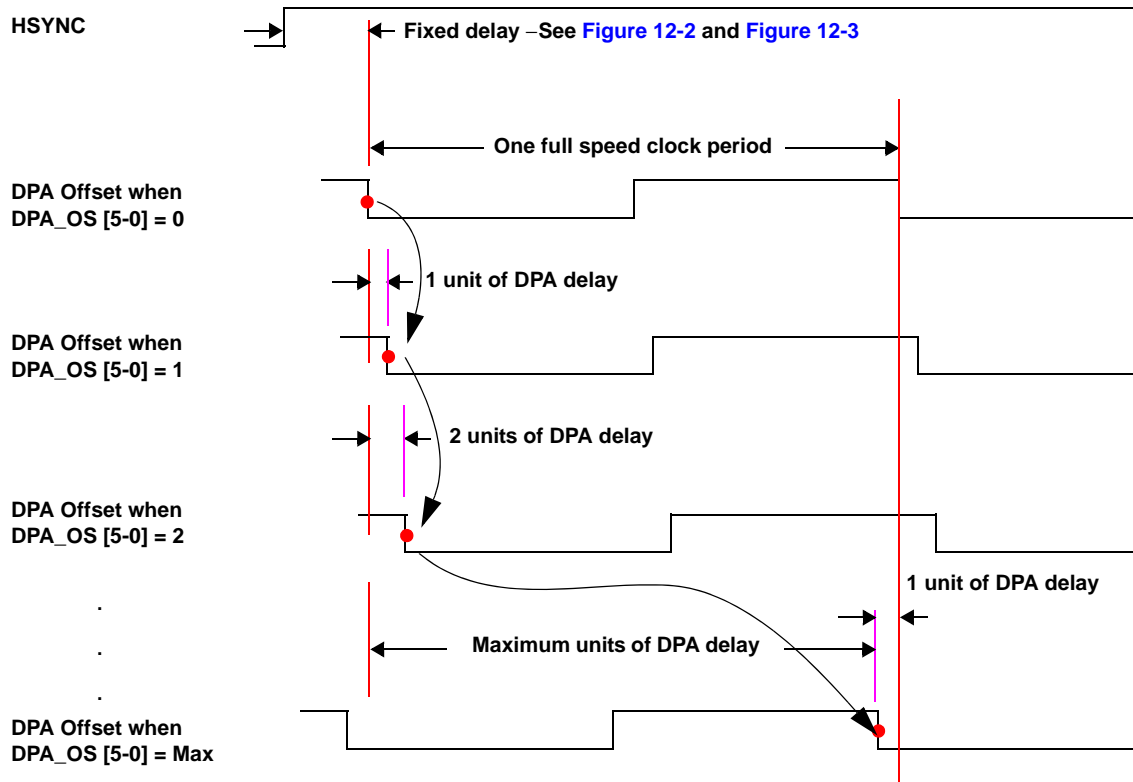
- 1 - Lower nibble of the I²C register automatically increments after each successive data byte is written to or read from the ICS1523.
- 2 - Upper nibble of the I²C register does not automatically increment, and the software must explicitly re-address the ICS1523. The software:
 - Must NOT just index 0 and then do all the I/O as one-byte transactions.
 - Must break the transactions into at least two separate bus transactions:
 - (1) 00 to 08
 - (2) 10 to 12

11.2 Programming Flow for Modifying PLL and DPA Settings



Section 12 Timing Diagrams

Figure 12-1 DPA Operation



$$\text{DPA Offset} = \text{CLK Period} * (\# \text{ of DPA Elements Selected } [0x4:4-0] / \# \text{ of DPA Elements Available}) [0x5:1-0]$$

Table 12-1 DPA Offset Ranges

Register 5	Total # of DPA Elements	0x4:5-0 Maximum	DPA Clock Range in MHz	
		Selected # of DPA Elements	Min	Max
1~0				
00	16	0F	48	160
01	32	1F	24	80
11	64	3F	12	40

Using the DPA above 160 MHz is not recommended. Set DPA_OS = 0 for speeds in excess of 160 MHz to bypass the DPA. The DPA Resolution Select register (0x5:0~1) is double-buffered. Working registers are loaded only after a DPA Software reset (0x8=xA)

12.1 Timing for 0x0:2=0

Figure 12-2 0x0:2=0 Timing Diagram

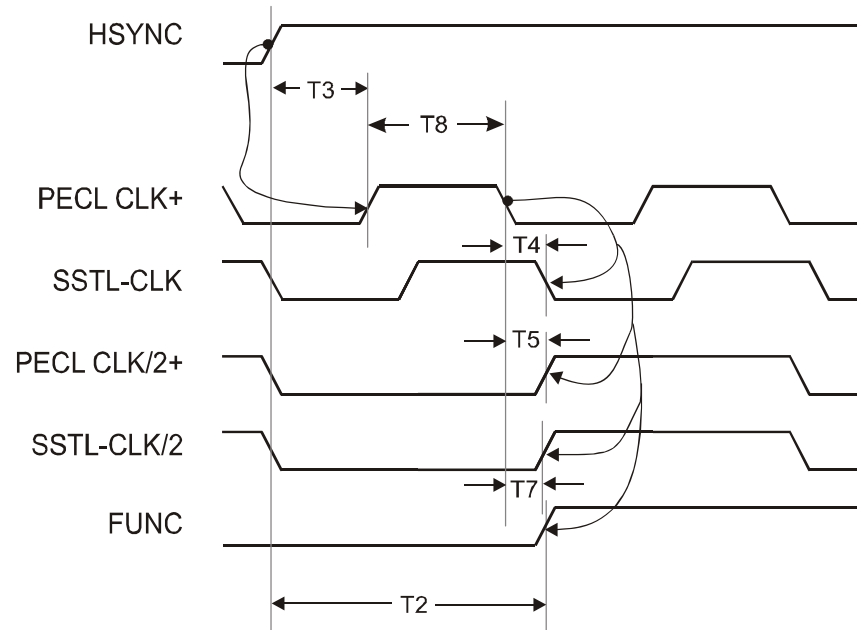


Table 12-2 0x0:2=0 Timing Values

Symbol	Parameter	Minimum	Typical	Maximum	Units
T2	HSYNC High to FUNC High (DPA Offset = 0)	T8 + T3			ns
T3	HSYNC High to PECL CLK+ High (DPA Offset = 0)	-	7	-	ns
T4	PECL Clock Low to SSTL_3 Clock Low Delay	0	0.2	0.6	ns
T5	PECL Clock Low to FUNC High Delay	0.6	1.0	1.6	ns
T6	PECL Clock Low to PECL/2 High Clock	0.6	1.0	1.6	ns
T7	PECL Clock Low to SSTL_3 CLK/2 Delay	0.4	0.9	1.2	ns
T8	PECL Clock High Time	-	0.5	-	UI

12.2 Timing for 0x0:2=1

Figure 12-3 0x0:2=1 Timing Diagram

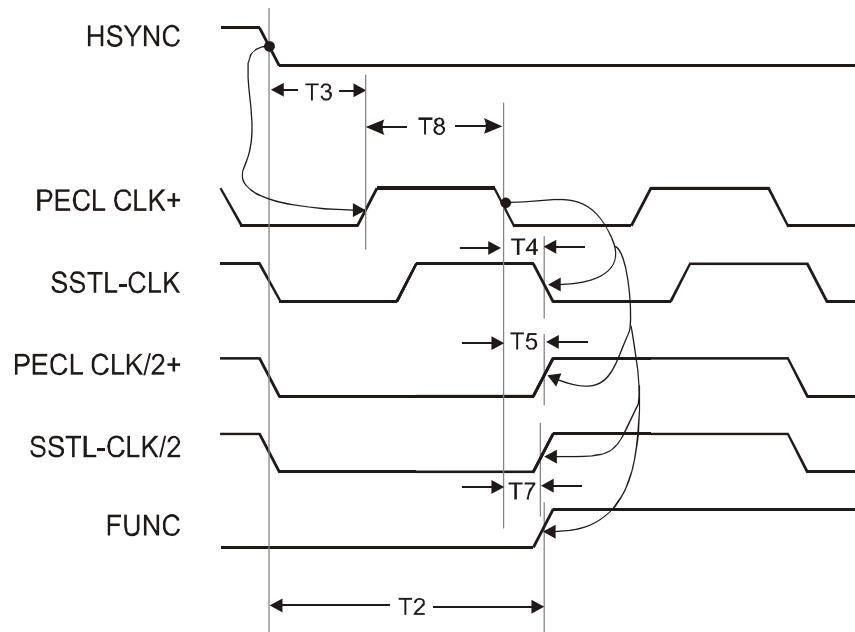


Table 12-3 0x0:2=1 Timing Values

Symbol	Parameter	Minimum	Typical	Maximum	Units
T2	HSYNC Low to FUNC High Delay	T8 + T3			ns
T3	HSYNC Low to PECL CLK+ High Delay (DPA Offset = 0)	-	10	-	ns
T4	PECL Clock to SSTL_3 Clock Delay	0	0.2	0.6	ns
T5	PECL Clock to FUNC Delay	0.6	1.0	1.6	ns
T6	PECL Clock to PECL/2 Clock	0.6	1.0	1.6	ns
T7	PECL Clock to SSTL_3 CLK/2 Delay	0.4	0.9	1.2	ns
T8	PECL Clock High Time	-	0.5	-	UI

12.3 HSYNC to REF Timing

Figure 12-4 HSYNC to REF Timing Diagram

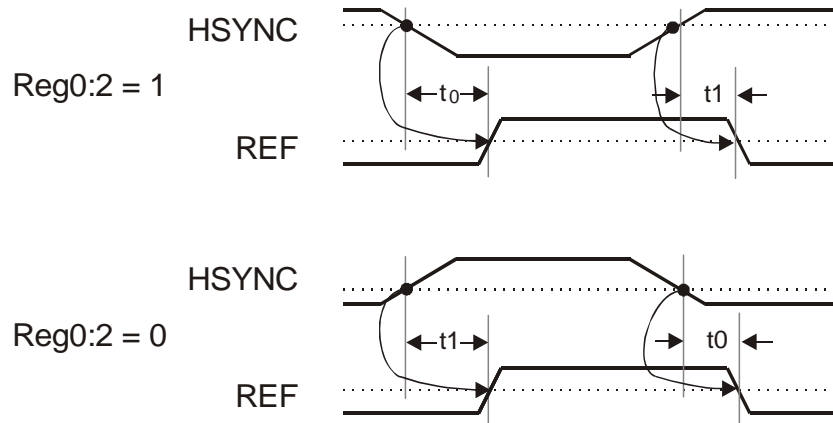
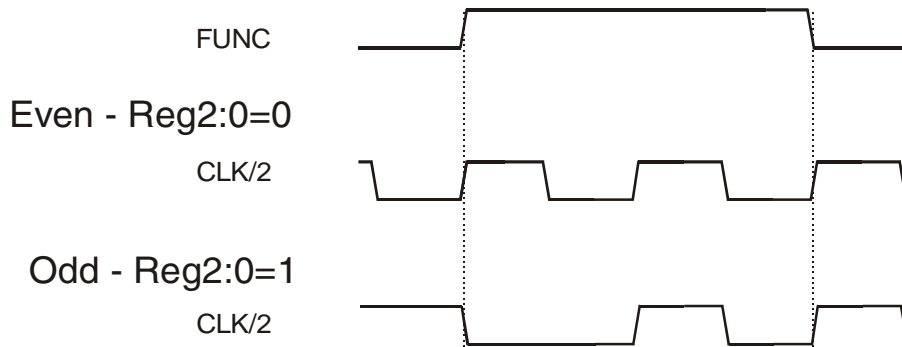


Table 12-4 HSYNC to REF Timing Diagram

Symbol	Parameter	Minimum	Typical	Maximum	Units
T ₀	HSYNC Low to REF Delay	6	7.5	8.5	ns
T ₁	HSYNC High to REF Delay	3.5	4.3	6	ns

12.4 CLK/2 Timing for Odd and Even Feedback Divider

Figure 12-5 CLK/2: Even versus Odd



For simplicity, the waveforms drawn show only the identical PECL CLK/2+ and the SSTL_3 CLK/2 signals. CLK/2- is the compliment of the CLK/2+ signal.

Note that regardless of the CLK/2 phase at the assertion of FUNC, the clocks always have the same phase at the fall of FUNC, regardless of 0x2

Section 13 AC/DC Operating Conditions

13.1 Absolute Maximum Ratings

Table 13-1 lists absolute maximum ratings for the ICS1523. Stresses above these ratings can cause permanent damage to the device. These ratings, which are standard values for ICS commercially rated parts, are stress ratings only. Functional operation of the ICS1523 at these or any other conditions above those indicated in the operational sections of the specifications is not implied. Exposure to absolute maximum rating conditions for extended periods can affect product reliability. Electrical parameters are guaranteed only over the recommended operating temperature range.

Table 13-1 ICS1523 Absolute Maximum Ratings

Item	Rating
VDD, VDDA, VDDQ (measured to VSS)	4.3 V
Digital Inputs	VSS -0.3 V to 5.5 V
Analog Outputs	VSSA -0.3 V to VDDA +0.3 V
Digital Outputs	VSSQ -0.3 V to VDDQ +0.3 V
Storage Temperature	-65°C to +150°C
Junction Temperature	125°C
Soldering Temperature	260°C
ESD Susceptibility*	> 2 KV

(*Electrostatic-sensitive devices. Do not open or handle except in a static-free workstation.)

Note: Measured with respect to VSS. During normal operations, the VDD supply voltage for the ICS1523 must remain within the recommended operating conditions.

Table 13-2 Environmental Conditions

Parameter	Min.	Typ.	Max.	Units
Ambient Operating Temperature	0	-	+70	° C
Power Supply Voltage	+3.0	+3.3	+3.6	V

Table 13-3 DC Characteristics

Parameter	Symbol	Conditions	Min.	Max.	UNITS
Digital Supply Current	IDDD	VDDD=3.6V	-	25	mA
Output Driver Supply Current	IDDQ	VDDD=3.6V No drivers enabled	-	6	mA
Analog Supply Current	IDDA	VDDA=3.6V	-	5	mA

Table 13-4 AC Characteristics

Parameter	Symbol	Min.	Max.	Units	Notes
AC Inputs					
HSYNC Input Frequency	f _{HSYNC}	15.734	10,000	kHz	0x7:7=1
OSC Input Frequency	f _{OSC}	0.05	100	MHz	0x7:7=0
PDEN Input Frequency	f _{PDEN}	30	120	Hz	
Internal VCO Frequency	f _{VCO}	100	500	MHz	
Typical Lock Time	t _{LOCK}	20		ms	



Parameter	Symbol	Min.	Max.	Units	Notes
Analog Input (HSYNC)					
Input High Voltage	V _{IH}	1.7	5.5	V	
Input Low Voltage	V _{IL}	VSS - 0.3	1.1	V	
Digital Inputs (SDA, SCL, EXTFB, OSC, I²CADDR)					
Input High Voltage	V _{IH}	2	5.5	V	
Input Low Voltage	V _{IL}	VSS - 0.3	0.8	V	
Input Hysteresis	-	0.2	0.6	V	
POR Threshold	-	VSS	1.8	V	Voltage that resets register values
SDA Digital Output					
SDA Output Low Voltage	V _{OL}		0.4	V	IOUT = 3ma
SDA Output High Voltage	V _{OH}		6.0	V	Determined by external Rset resistor
PECL Outputs (CLK+, CLK-, CLK/2+, CLK/2-)					
Output High Voltage	V _{OH}	-	VDD	V	IOUT=0
Maximum Output Frequency	F _P MAX	-	250	MHz	VDDD = 3.3 V
Output Low Voltage *	V _{OL}	1.0	-	V	IOUT = Programmed Value 1
Duty Cycle	P _{DC}	45	55	%	2
Transition Time - Rise	T _{PR}	-	1.0	ns	2
Transition Time - Fall	T _{PF}	-	1.2	ns	2
SSTL_3 Outputs (CLK, CLK/2, FUNC, LOCK/REF)					
Output Resistance	R _O	-	80	Ω	1 V < V _O < 2 V
Maximum Output Frequency	F _S MAX	-	150	MHz	VDDD = 3.3 V
Duty Cycle	S _{DC}	45	55	%	3
Clock and FUNC Transition Time - Rise	T _{CR}	-	1.6	ns	3
Clock and FUNC Transition Time - Fall	T _{CF}	-	1.0	ns	3
LOCK/REF Transition Time - Rise	T _{LR}	-	3.0	ns	3
LOCK/REF Transition Time - Fall	T _{LF}	-	2.0	ns	3

Note 1- V_{OL} must not fall below the level given so that the correct value for IOUT can be maintained.

Note 2- Measured at 135MHz, 3.6 VDC, 0°C, 20 pF, with 75 Ω Termination.

Note 3- Measured at 135MHz, 3.6 VDC, 0°C, 20 pF, Unterminated.

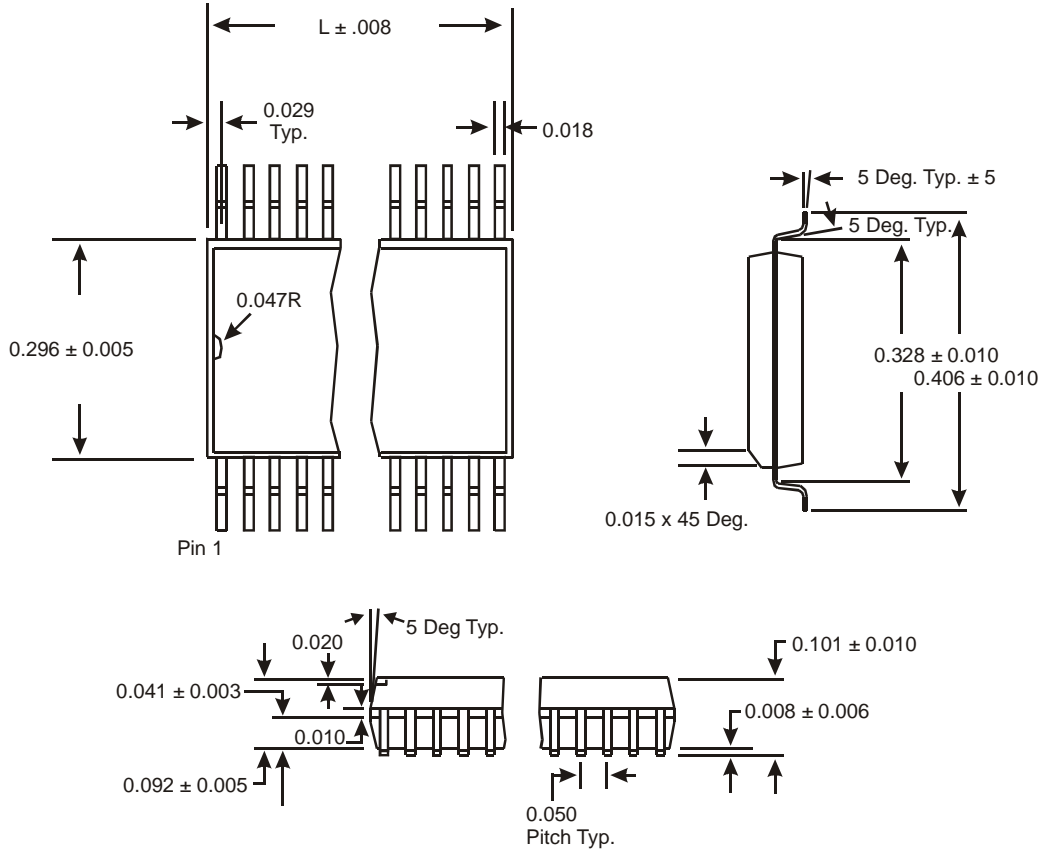


Table 13-5 Thermal Characteristics

Parameter	Symbol	Conditions	Min.	Typ.	Max.	Units
Thermal Resistance Junction to Ambient	θ_{JA}	Still Air		67		°C/W
	θ_{JA}	1 m/s air flow		56		°C/W
	θ_{JA}	3 m/s air flow		51		°C/W
Thermal Resistance Junction to Case	θ_{JC}			25		°C/W

Section 14 Package Dimensions

Figure 14-1 Physical Dimensions for ICS1523



24-pin SOIC (300 Mil Wide Body)

Section 15 Ordering Information

Part / Order Number	Marking	Package	Shipping Package	Temperature
1523MLF	ICS1523MLF	24-pin SOIC	Tubes	0 to 70° C
1523MLFT	ICS1523MLF	24-pin SOIC	Tape and Reel	0 to 70° C

Note: "LF" denotes Pb (lead) free package.

While the information presented herein has been checked for both accuracy and reliability, Integrated Device Technology, Incorporated (IDT) assumes no responsibility for either its use or for infringement of any patents or other rights of third parties, which would result from its use. No other circuits, patents, or licenses are implied. This product is intended for use in normal commercial applications. Any other applications such as those requiring extended temperature range, high reliability, or other extraordinary environmental requirements are not recommended without additional processing by IDT. IDT reserves the right to change any circuitry or specifications without notice. IDT does not authorize or warrant any IDT product for use in life support devices or critical medical instruments