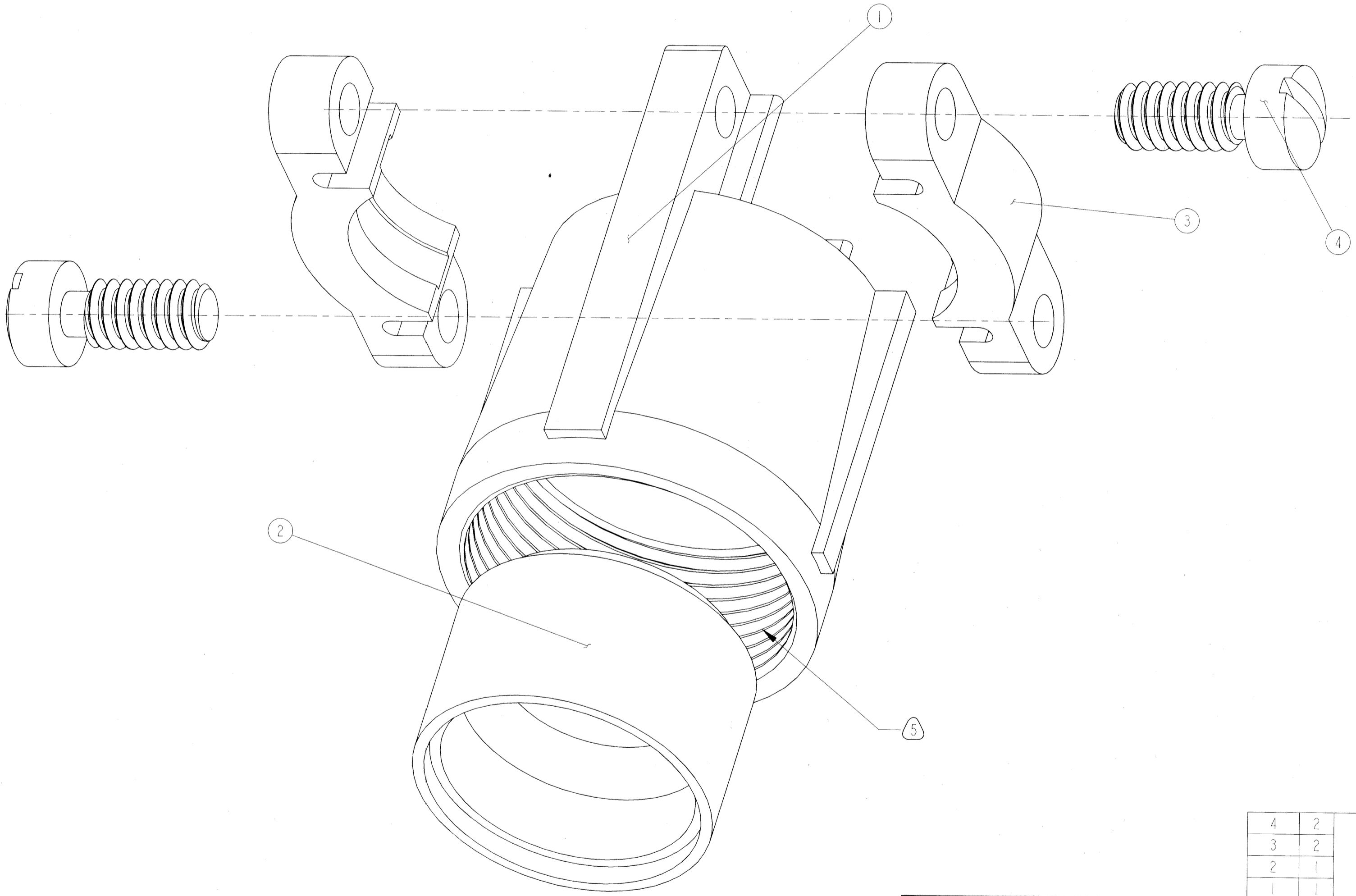


REVISIONS			
LTR	DESCRIPTION	DATE	APPVD
A	INITIAL RELEASE NUM: 70097-412		
B	(CL 11) REMOVE Z PLATING DATA, ADDED X PLATING DATA ECN: 89224	J BORDEAU 3/1/01	



SEE SHEET 2.

NOTES:

THE USE OF THIS DOCUMENT IS UNLIMITED.
HOWEVER, DOCUMENTS REFERENCED HEREON
MAY CONTAIN LIMITED RIGHTS DATA.

COMPANY ID: 9	CODED/MS/CUST: N	MS3100F()
INTERNAL: Y	LOT NO: N	& OTHERS
DATE CODE: 9-3895	SEE DRAW: N	
STAMPING DATA		NEXT ASSEMBLY

UNLESS OTHERWISE SPECIFIED	SPECIFICATIONS	POS	QTY	PART NUMBER	DESCRIPTION	NOTE
LINEAR DIMENSIONS ARE IN INCHES TOLERANCES: .XXXX = ±.0005 .XXX = ±.010 .XX = ±.03 .X = ±.1 ANGLES = ±2° OTHER STANDARDS PER 9-3800 AND DOD-D-1000 THIRD ANGLE PROJECTION	MATERIAL SPEC.	4	2	SEE NOTE 1	SCREW	
	N/A	3	2		CLAMP BAR	
	PROCESS SPEC.	2	1		SLEEVE, COMPRESSION	
	9-3031, 9-3895	1	1		BACKSHELL	
PARTS LIST						
AMPHENOL CORPORATION <small>SIDNEY, N.Y. 13838</small>						
E / F CLASS ADAPTER KIT FOR MIL-C-5015						
		SIZE	FSCM NO.	DOCUMENT NO.	REV.	
		C	77820	10-584180/199	B	
		SCALE: none	REF: N/A	SHEET 1 OF 2		

AMPHENOL PART NUMBER	SIZE
10-584180-08()	8S
10-584181-10()	10S
10-584182-11()	10SL, 12S, 12
10-584185-14()	14S, 14
10-584187-16()	16S
10-584188-17()	16
10-584189-18()	18
10-584190-20()	20
10-584191-22()	22
10-584192-24()	24
10-584193-28()	28
10-584194-32()	32
10-584195-36()	36
10-584196-40()	40
10-584197/199-()	44/52

4

6. IDENTIFY PACKAGING WITH AMPHENOL PART NUMBER AND DATE CODE (PER 9-3895).

EXAMPLE:
10-584189-183 9747

5. LUBE THREADS WITH 9-3031.

4. TO COMPLETE PART NUMBER, ADD APPLICABLE LAST CHARACTER SUFFIX FOR DESIRED FINISH

FINISH	SUFFIX
CHROMATE TREAT PER 9-3350	-XX0
BRIGHT CADMIUM PLATE PER 9-2158	-XX1
BLACK ANODIZE PER 9-3487	-XX2
OLIVE DRAB CADMIUM PLATE PER 9-3047	-XX3
GREY ANODIZE PER 9-3487	-XX4
ANODIC COATING PER 9-3290	-XX5
CADMIUM PLATE, NICKEL BASE PLATE PER 9-4332	-XX7
BRIGHT NICKEL PLATE PER 9-3435	-XX8
O. D. CADMIUM PLATE, NICKEL BASE PLATE PER 9-4960	-XX9
NICKEL ALLOY PLATE PER 9-6914	-XXG
GREEN ZINC ALLOY PLATE PER 9-9263	-XXU
BLACK ZINC CONDUCTIVE ALLOY PLATE PER 9-9181-1	-XXX
BLACK ZINC ALLOY PLATE PER 9-9181	-XXY

3. PACKAGE PER PRODUCTION PROCESS SHEET.

2. SEE WORK ORDER FOR PERMISSIBLE ADDITIONAL OR ALTERNATE STAMPING.

1. SEE SEPARATE PARTS LIST FOR COMPONENT PART NUMBERS AND QUANTITIES.

NOTES:

THE USE OF THIS DOCUMENT IS UNLIMITED. HOWEVER, DOCUMENTS REFERENCED HEREON MAY CONTAIN LIMITED RIGHTS DATA.

SIZE C	FSCM NO. 77820	DOCUMENT NO. 10-584180/199	REV. B
SCALE: NONE	REF: N/A	SHEET 2 OF 2	

SH 2 OF 2

10-584180/199

DOC NO

A

Mouser Electronics

Authorized Distributor

Click to View Pricing, Inventory, Delivery & Lifecycle Information:

Amphenol:

[10-584188-173](#) [10-584187-16Y](#) [10-584182-113](#) [10-584185-143](#) [10-584187-163](#) [10-584189-183](#) [10-584190-203](#)
[10-584191-223](#) [10-584192-243](#) [10-584193-283](#)