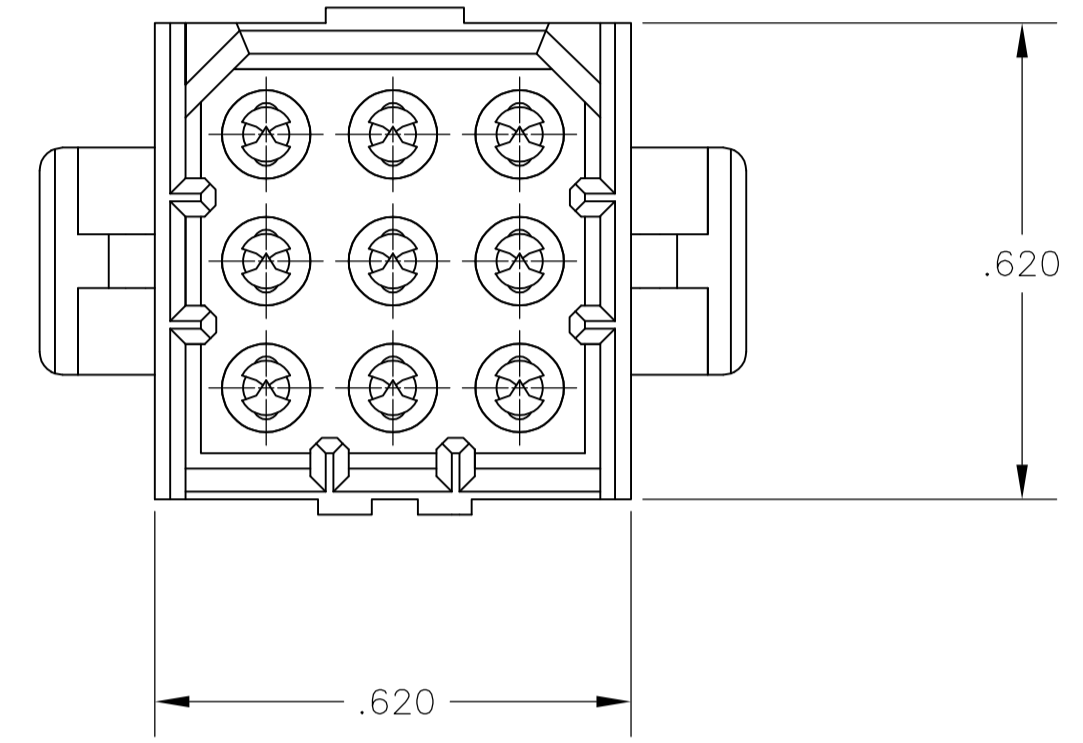
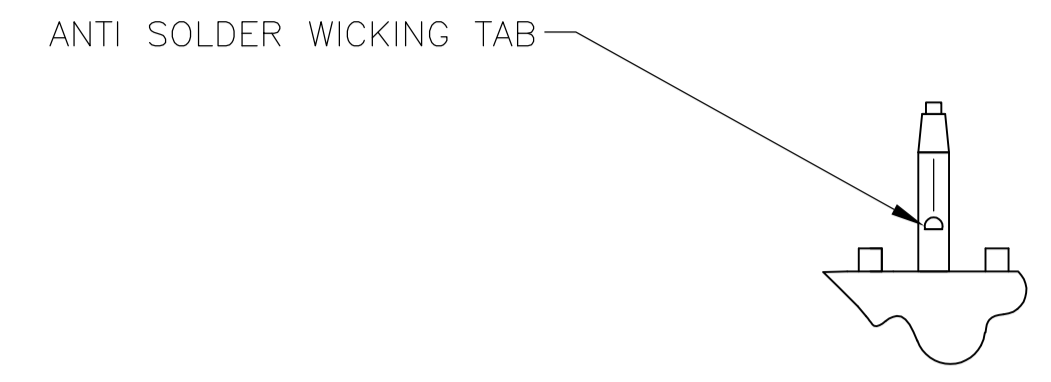
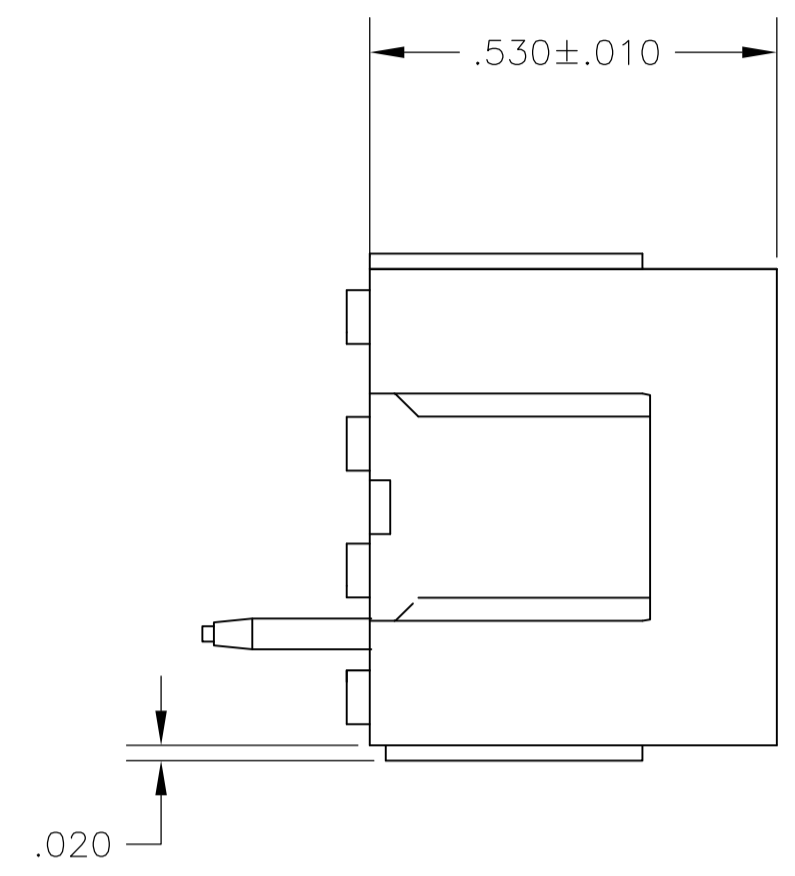
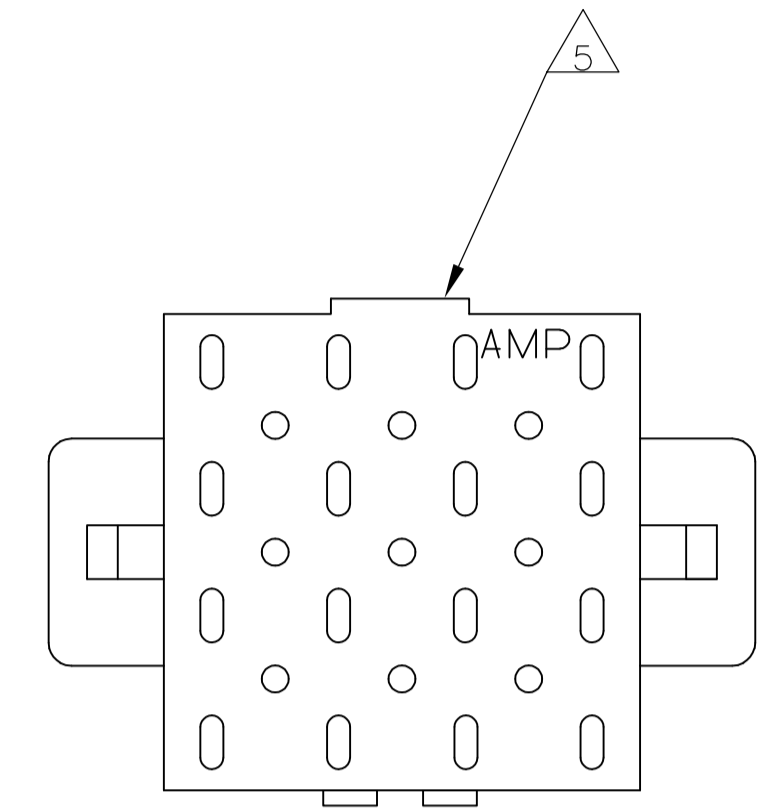
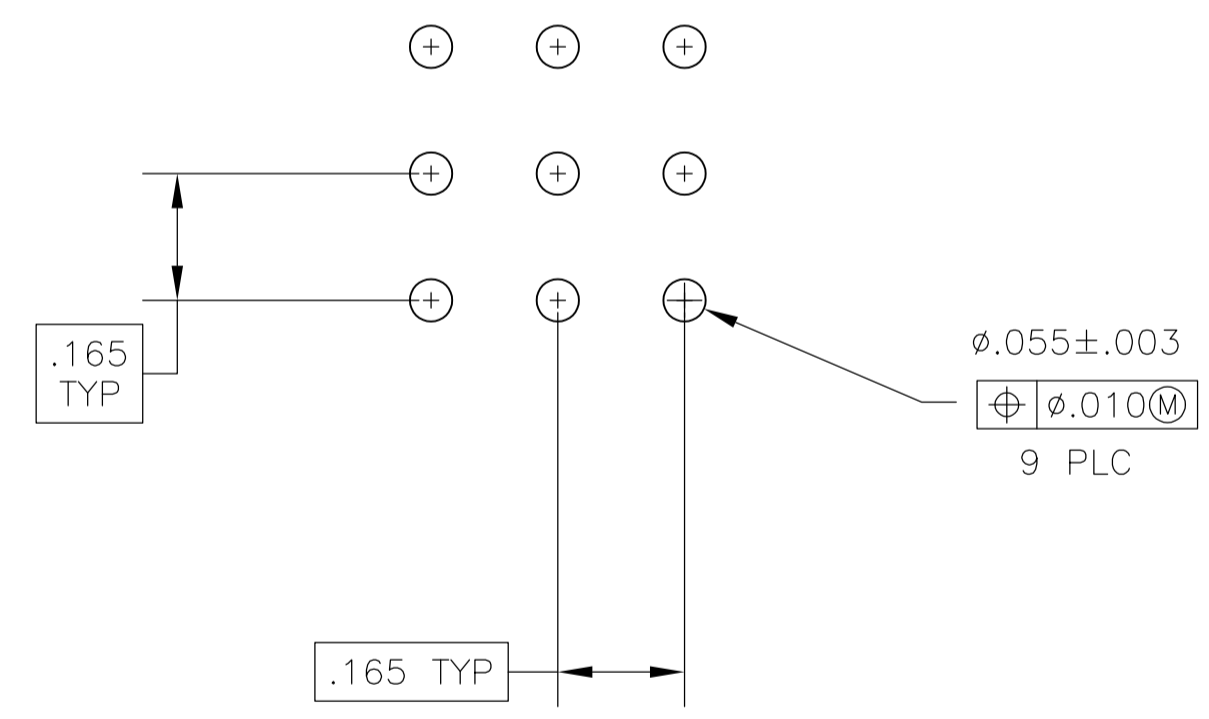


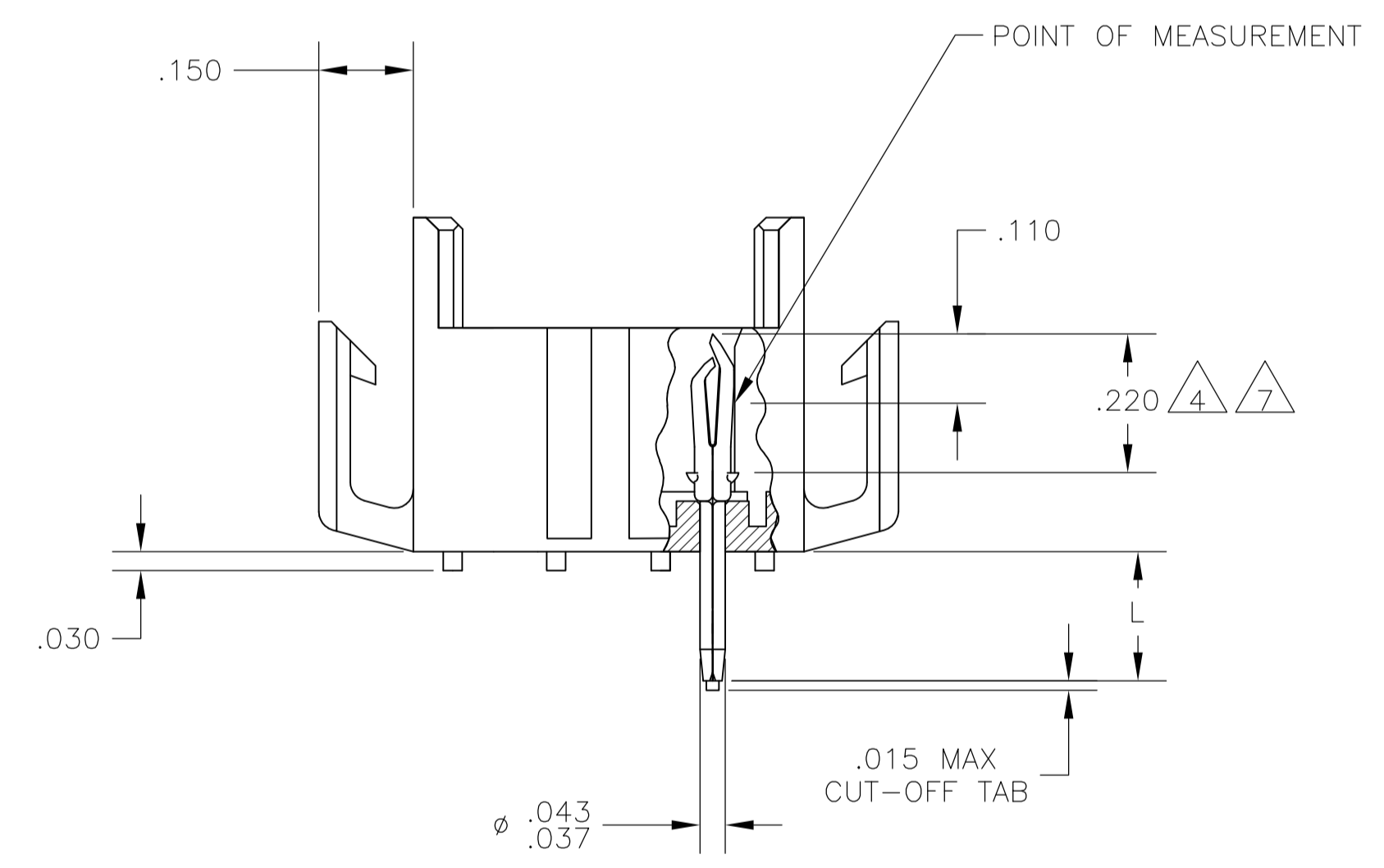
LOC		DIST		REVISIONS			
P	LTR	DESCRIPTION	DATE	DMN	APVD		
R1		REVISED PER ECO-11-004917	11MAR11	RK	HMR		



1. FITS SOCKET HOUSING 640521.
2. ASSEMBLY CONFORMS TO AMP SOLDERABILITY SPEC. 109-11-3.
3. FOR USE WITH .063 THICK P.C. BOARD.
4. CONTACT IS PLATED OVERALL WITH .000050 NICKEL, THEN .000030 GOLD OVER CONTACT LENGTH INDICATED AND .000150 MATTE TIN-LEAD ON SOLDER TAIL END.
5. UL AND CSA LOGO LOCATED ON THIS SURFACE.
6. FOR USE WITH .120 THICK P.C. BOARD.
7. CONTACT IS PLATED OVERALL WITH .000050 NICKEL, THEN .000030 GOLD OVER CONTACT LENGTH INDICATED AND .000150 MATTE TIN ON SOLDER TAIL END.

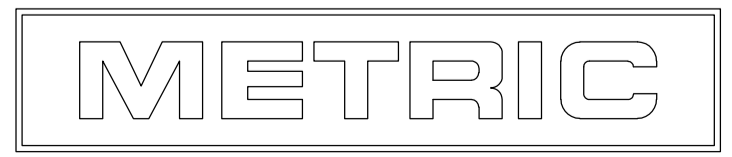


RECOMMENDED P.C. BOARD LAYOUT



IN	MM	IN	MM	IN	MM	IN	MM
.008	0.20	.037	0.94	.150	3.81	.620	15.75
.005	0.13	.030	0.76	.110	2.79	.530	13.46
.003	0.08	.020	0.51	.063	1.60	.220	5.59
.000050	0.00127	.015	0.38	.055	1.40	.210	5.33
.000030	0.00076	.010	0.25	.043	1.09	.165	4.19

CONVERSION TABLE



.210	6	BRICK RED	GOLD	7	2-640501-4
.150	3	BRICK RED	GOLD	7	2-640501-2
.210	6	BRICK RED	GOLD	4	640501-4
.210	6	BRICK RED	PRE-TIN		640501-3
.150	3	BRICK RED	GOLD	4	640501-2
.150	3	BRICK RED	PRE-TIN		640501-1
"L" +.010 -.020		HOUSING COLOR	PIN FINISH		PART NUMBER

THIS DRAWING IS A CONTROLLED DOCUMENT.

DIMENSIONS: INCHES	TOLERANCES UNLESS OTHERWISE SPECIFIED:	0 PLC ± -	1 PLC ± -	2 PLC ± -	3 PLC ± .005	4 PLC ± -	ANGLES ± 0° 30'
MATERIAL: HOUSING FLAME RETARDANT NYLON, UL 94V-0; PIN, .008 PH BRZ.	FINISH: SEE FINISH	WEIGHT: -	SIZE: A1	CAGE CODE: 00779	DRAWING NO: 640501	RESTRICTED TO: -	CUSTOMER DRAWING

DATE: 28 APR 98
 J. HUFFMAN
 R. SWING
 T. REDDICK
 NAME: HEADER ASSEMBLY, PIN, 9 POSITION MR.
 SCALE: 4:1 SHEET 1 OF 1 REV R1

Mouser Electronics

Authorized Distributor

Click to View Pricing, Inventory, Delivery & Lifecycle Information:

[TE Connectivity:](#)

[640501-4](#)