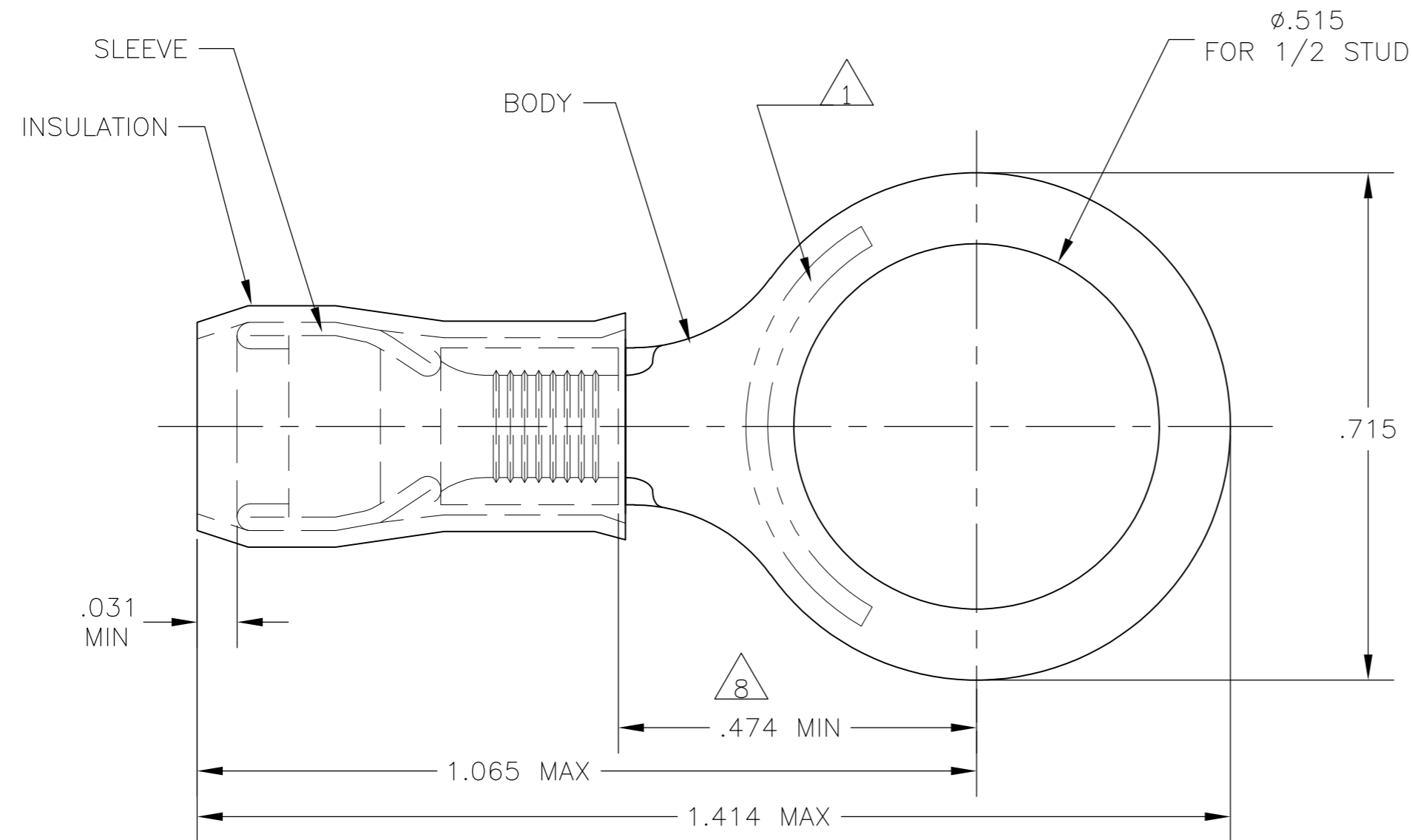
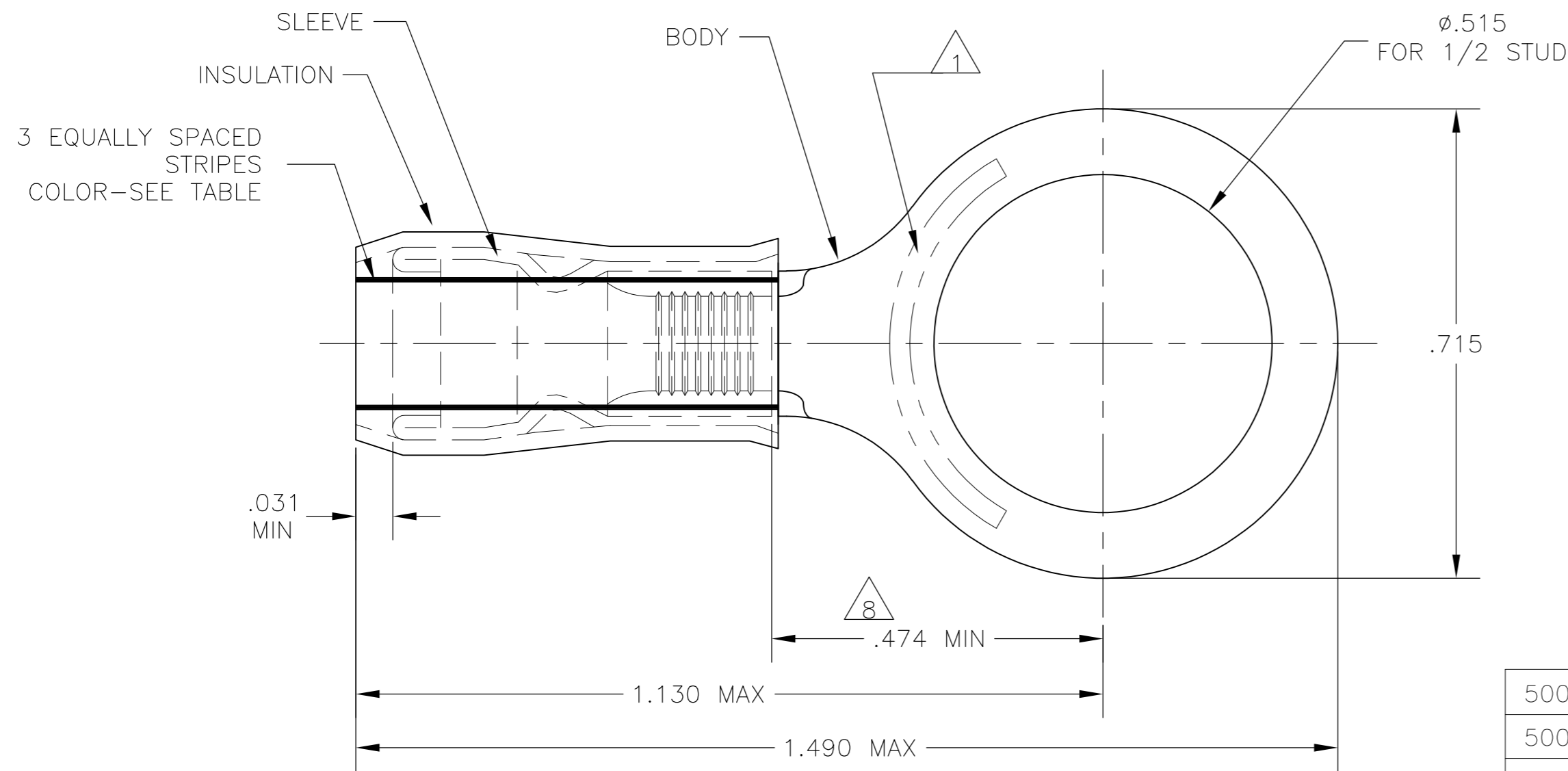


THIS DRAWING IS UNPUBLISHED. RELEASED FOR PUBLICATION  
 © COPYRIGHT - By - ALL RIGHTS RESERVED.

LOC		DIST		REVISIONS			
P	LTR	DESCRIPTION		DATE	DWN	APVD	
G	14	F		REVISED PER ECO-14-015277	18FEB2015	NK	DR



STYLE A



STYLE B  
INSULATION RESTRICTING

- 1 STAMP "AMP - SEE TABLE" APPROX AS SHOWN.
- 2 WIRE INSULATION DIA: SEE TABLE.
- 3 TONGUE MATERIAL THK: .040±.002.
- 4 BODY: TIN PLATE .000100 MIN EXT THK PER ASTM B545.
- 5 SLEEVE: TIN PLATE .000100 MIN EXT THK PER ASTM B545.
- 6 SLEEVE: NICKEL PLATE PER QQ-N-290.
- 7 BODY & SLEEVE- CU PER ASTM B152 INSULATION - NYLON PER ASTM D4066 COLOR - YELLOW.
- 8 APPLIES FROM EDGE OF METAL WIRE BARREL TO CENTER OF STUD HOLE.
- 9 MEETS MS25036-158, CLASS 2.
- 10 MEETS M7928/1-62, CLASS 2.
- 11 MEETS M7928/1-69, CLASS 2.

QTY	PACKAGE TYPE	STAMPING	WIRE INSUL DIA	WIRE SIZE	STRIPE COLOR	STYLE	BODY FINISH	SLEEVE FINISH	PART NO
500	LOOSE PIECE	10	.119-.200	10	BROWN	B	1	6	52077-2
500	LOOSE PIECE	12	.095-.200	12	YELLOW	B	4	6	52077-1
500	LOOSE PIECE	12-10	.150-.230	12-10	---	A		5	52077

<b>CUSTOMER SERVICE SYSTEMS</b>		MAX RECOMMENDED OPERATING TEMPERATURE: 105°C MAX		THIS DRAWING IS A CONTROLLED DOCUMENT.		DWN JR RUTH 23DEC09		<b>TE</b> TE Connectivity	
FOR ADDITIONAL PRODUCT INFORMATION OR COPIES OF DRAWINGS AND TECHNICAL DOCUMENTS 1-800-522-6752		VOLTAGE RATING: 300 VOLT MAX		DIMENSIONS: INCHES		CHK T MICHIELUTTI 23DEC09			
FOR APPLICATION TOOLING INFORMATION 1-800-722-1111		CIRCULAR MIL AREA: 2.62-6.64mm² [5,180-13,100] STRANDED OR SOLID		TOLERANCES UNLESS OTHERWISE SPECIFIED: 0 PLC ± - 1 PLC ± - 2 PLC ± - 3 PLC ± .008 4 PLC ± - ANGLES ± -		APVD T MICHIELUTTI 23DEC09		NAME TERMINAL, RING TONGUE, PIDG WIRE SIZE: 12-10 AWG	
FOR ORDER ENTRY 1-800-526-5142		THIS DRAWING IS A CONTROLLED DOCUMENT FOR AMP INCORPORATED. IT IS SUBJECT TO CHANGE AND THE CONTROLLING ENGINEERING ORGANIZATION SHOULD BE CONTACTED FOR THE LATEST REVISION.		MATERIAL 7		FINISH -		SIZE A2	
						APPLICATION SPEC -		CAGE CODE 00779	
						WEIGHT -		DRAWING NO C=52077	
						CUSTOMER DRAWING		RESTRICTED TO -	
						SCALE 5:1		SHEET 1 of 1	
								REV F	

# Mouser Electronics

Authorized Distributor

Click to View Pricing, Inventory, Delivery & Lifecycle Information:

[TE Connectivity:](#)

[52077](#)