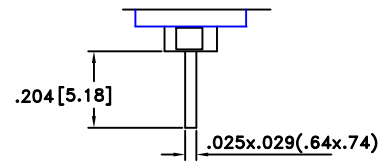
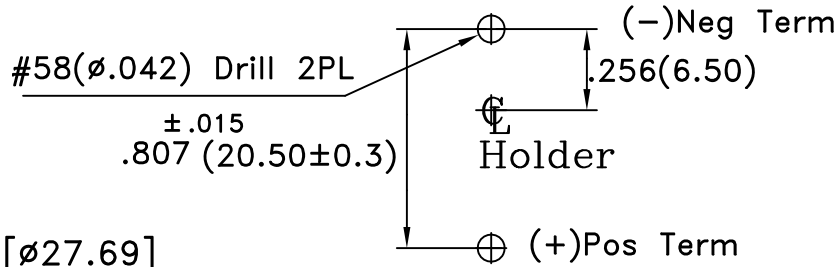
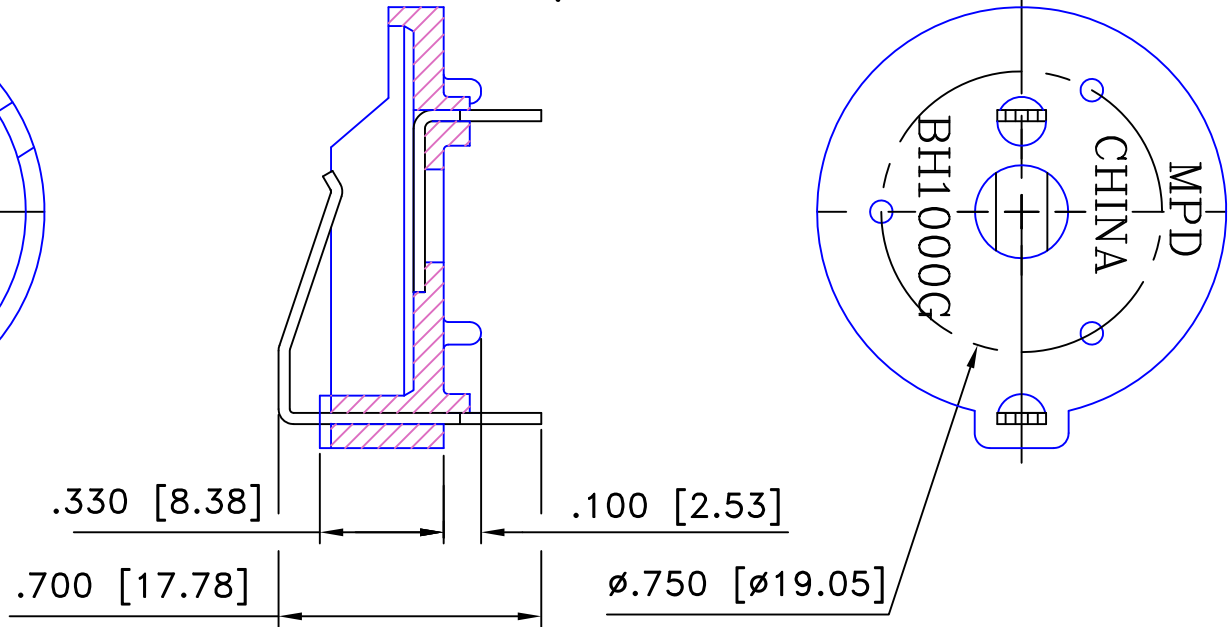
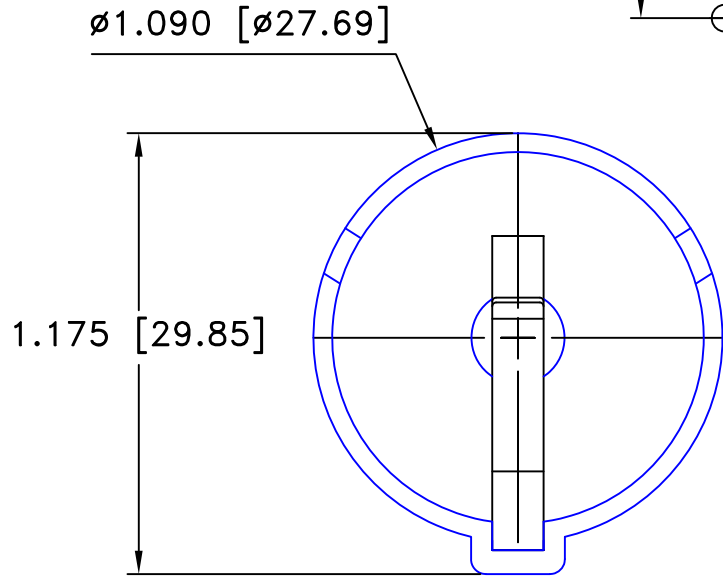


PCB LAYOUT

| Date | SYM | REVISION RECORD | AUTH | DR. | CK. |
|----------|-----|------------------------------|------|------|-----|
| 10/28/11 | C | REMOVED TOL. FROM DIM. 0.204 | T.B. | B.S. | |
| 11/14/14 | D | UPDATED TO ROHS 2 COMPLIANT | T.B. | B.S. | |




SQUARE CONTACT DETAIL



SPECIFICATIONS

- *Holder material—thermoplastic, black PBT
- *Flammability rating—UL94V-0, File No.88499(M)
- *Contacts—302 spring temper stainless steel nickel plated overall
- *Dielectric strength—560volts/mil at 25°C for 5seconds
- *Temperature range— -55° to +180°C
- *Resistance to solvents—Xylene,ethyl,butyl,methyl&proptl alcohol;ethyl acetate,heptane;toluene;refrigerant
- *ROHS 2 COMPLIANT

| | | | |
|--------------------------------|---|------------------|---------------------------|
| Tolerance (Except as noted) |  Memory protection Devices, Inc 200 Broad Hollow Road, Farmingdale, New York 11735 | Scale 4=1 | Drawn By T.S. |
| | | | Approved By T.B. |
| decimal ±.5 (.020) | Title CR 2477 COIN BATTERY HOLDER | | |
| Fractional ± .8 (.030) | | Date 11/14/14 | Drawing Number BH1000G |
| Angular ± 3° | | | |