

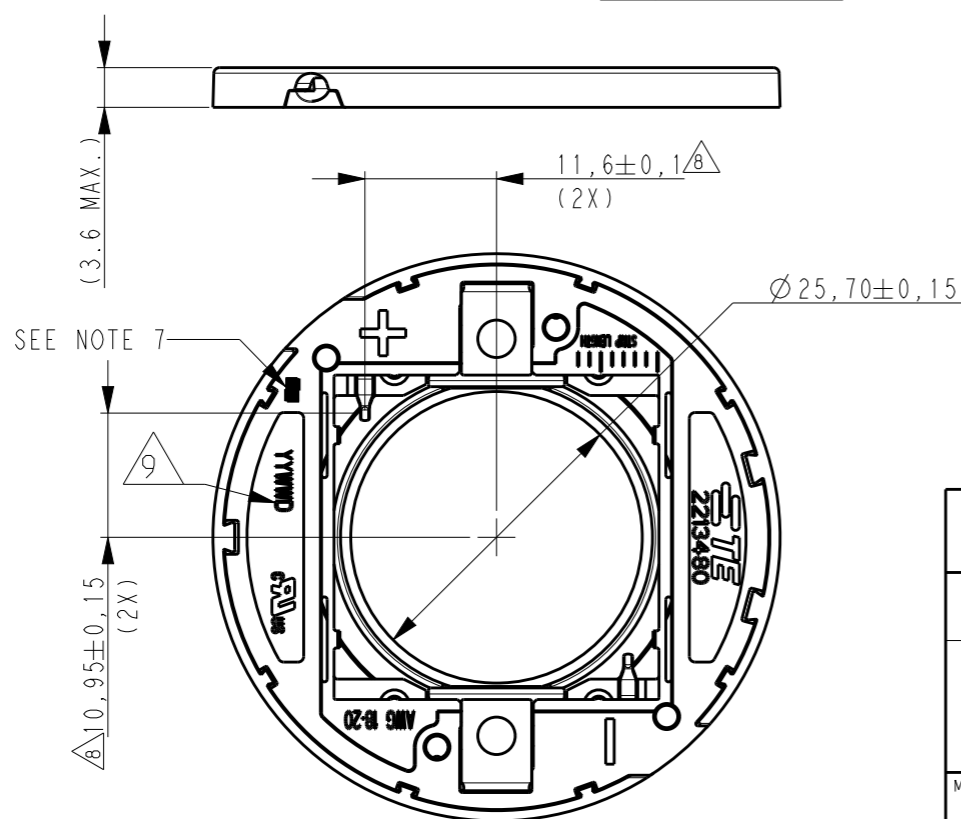
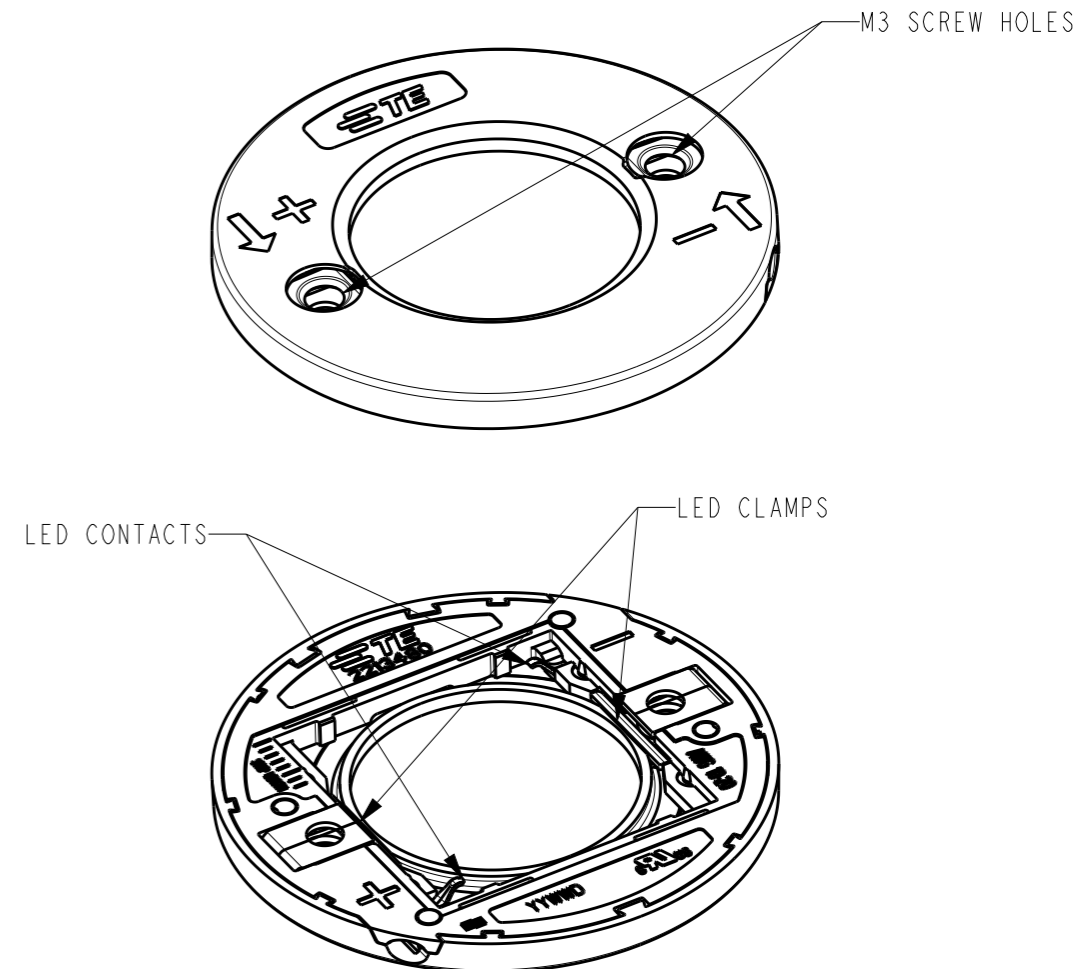
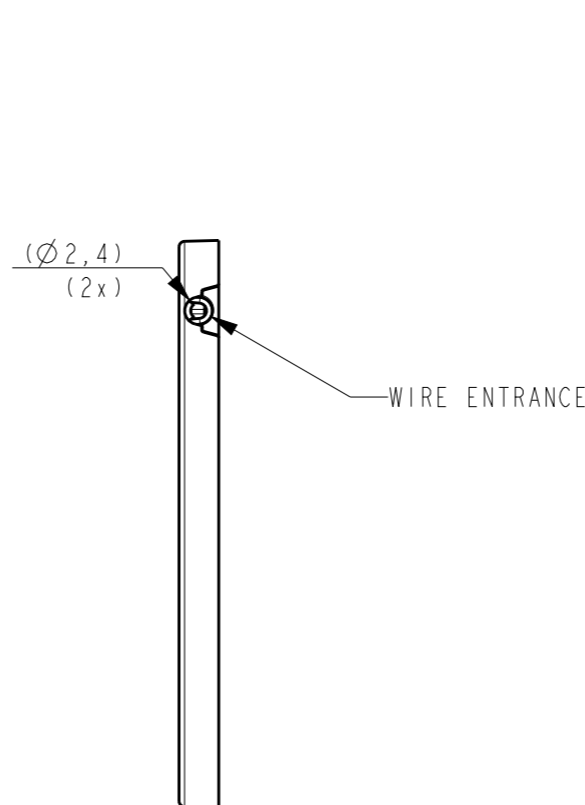
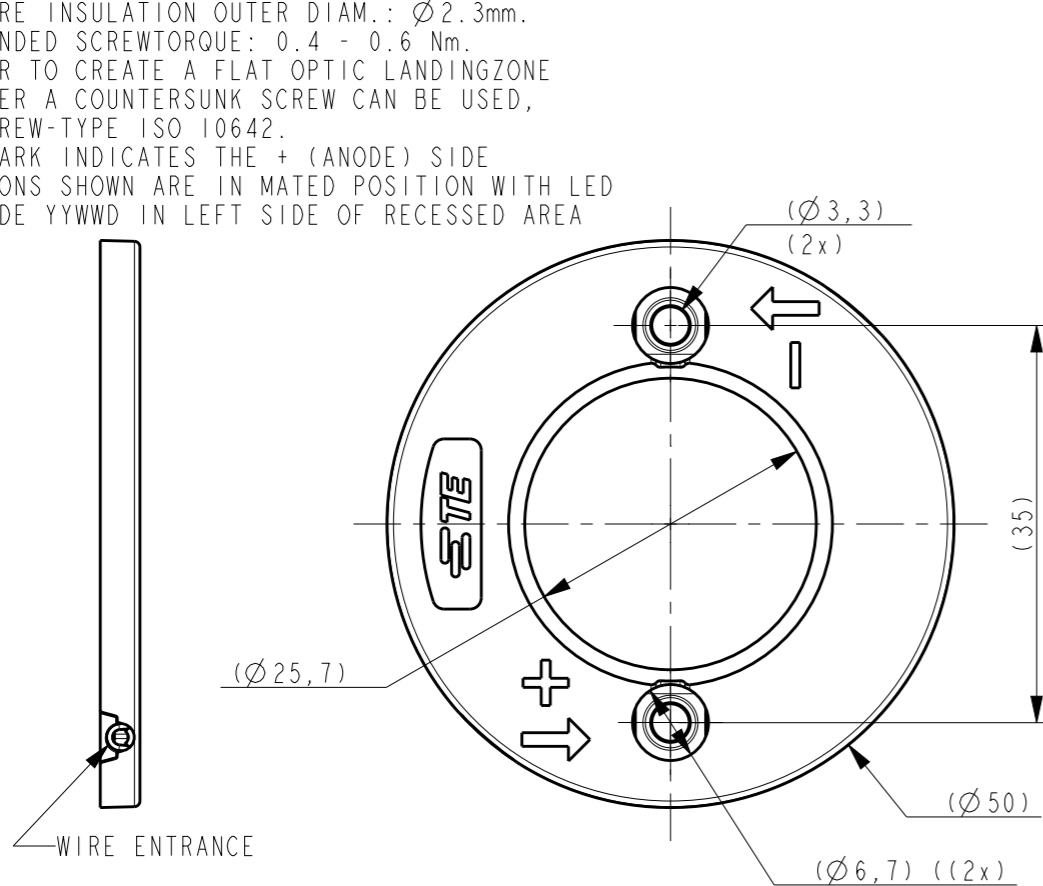
THIS DRAWING IS UNPUBLISHED. RELEASED FOR PUBLICATION
 © COPYRIGHT - BY TYCO ELECTRONICS CORPORATION. ALL RIGHTS RESERVED.

LOC	DIST	REVISIONS					
		P	LTR	DESCRIPTION	DATE	DWN	APVD
H	-		C2	ADDED RELEASED LEDS	28JAN2017	RK	MVE
			C3	ECR-18-003552	14MAR2018	GCM	DD
			C4	ECR-18-006270	30APR2018	GCM	DD
			C5	ECR-18-012133	01AUG2018	SR	DD

NOTES:

- MATERIALS:
HOUSING: GLASS FILLED PBT, HALOGEN FREE FLAME RETARDANT
COLOR : WHITE
CONTACTS: GOLD PLATED COPPER ALLOY
 - FOR WIRE TYPES AWG 18 AND 20 AWG.
 - COMPLIES WITH DIRECTIVE 2002/95/EC (ROHS)
 - WIRE STRIP LENGTH: 7-8 mm
 - MAX. WIRE INSULATION OUTER DIAM.: $\varnothing 2.3\text{mm}$.
 - RECOMMENDED SCREW TORQUE: 0.4 - 0.6 Nm.
 - IN ORDER TO CREATE A FLAT OPTIC LANDING ZONE ON HOLDER A COUNTERSUNK SCREW CAN BE USED, I.E. SCREW-TYPE ISO 10642.
 - BLACK MARK INDICATES THE + (ANODE) SIDE
- 8
9
- DIMENSIONS SHOWN ARE IN MATED POSITION WITH LED
DATE CODE YYWW IN LEFT SIDE OF RECESSED AREA

$\triangle 10$ DUE TO HIGH LUMEN OUTPUT CARE MUST BE TAKEN TO DESIGN OPTICAL SYSTEM TO ENSURE LIGHT DOES NOT REACH HOLDER.



PART NO	DESCRIPTION	PACKAGING
2-2213480-1	Z50 LED HOLDER 2828	2x10 PIECES IN TRAY AND BOX 25 BOXES IN SHIPPING BOX
1-2213480-1	Z50 LED HOLDER 2828	2x10 PIECES IN TRAY AND BOX 25 BOXES IN SHIPPING BOX
2213480-2	LUMAWISE Z50 LED holder 2727 general	2x5 PIECES IN TRAY 56 TRAYS IN SHIPPING BOX
2213480-1	LUMAWISE Z50 LED holder 2828 general	2x5 PIECES IN TRAY 56 TRAYS IN SHIPPING BOX

THIS DRAWING IS A CONTROLLED DOCUMENT.

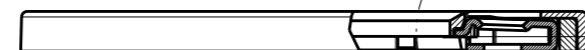
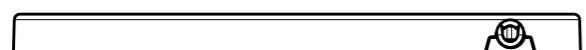
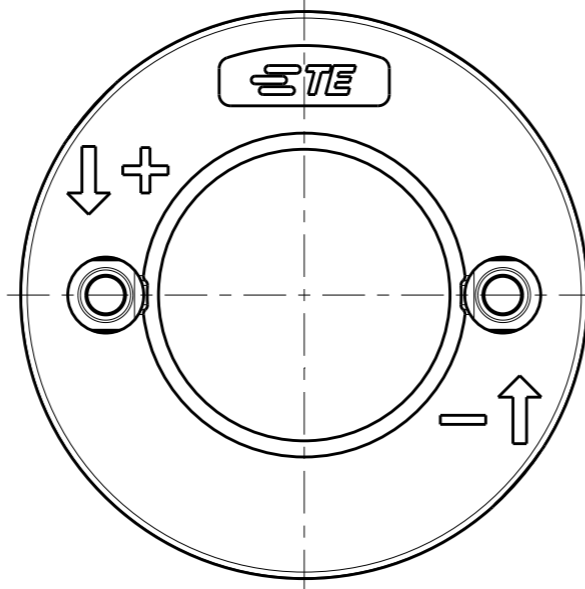
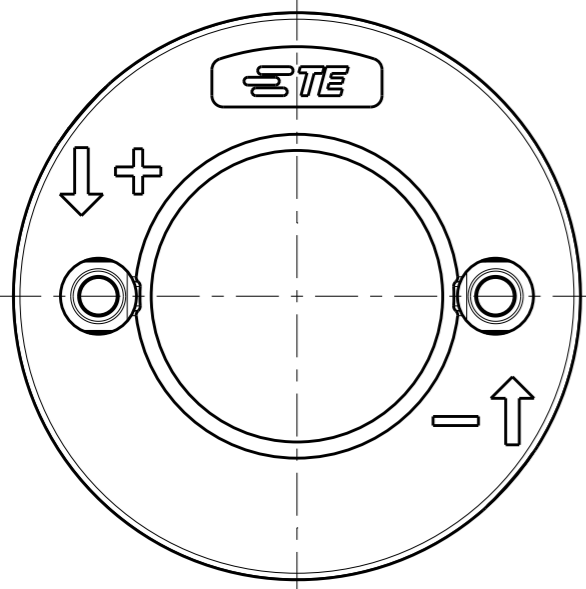
DWN	08APRIL2014	 TE Connectivity	NAME LUMAWISE Z50 high performance LED HOLDER		
CHK	08APRIL2014				
APVD	08APRIL2014				
PRODUCT SPEC	108-133018				
APPLICATION SPEC	114-133019	SIZE	CAGE CODE	DRAWING NO	RESTRICTED TO
MATERIAL	FINISH	A3	00779	C-2213480	-
Customer Drawing		SCALE	SHEET	OF	REV
		3:2	1	3	C5

THIS DRAWING IS UNPUBLISHED. RELEASED FOR PUBLICATION
 © COPYRIGHT - BY TYCO ELECTRONICS CORPORATION. ALL RIGHTS RESERVED.

LOC	DIST	REVISIONS					
		P	LTR	DESCRIPTION	DATE	DWN	APVD
			-	SEE SHEET 1	-	-	-

2213480-1 AS SHOWN

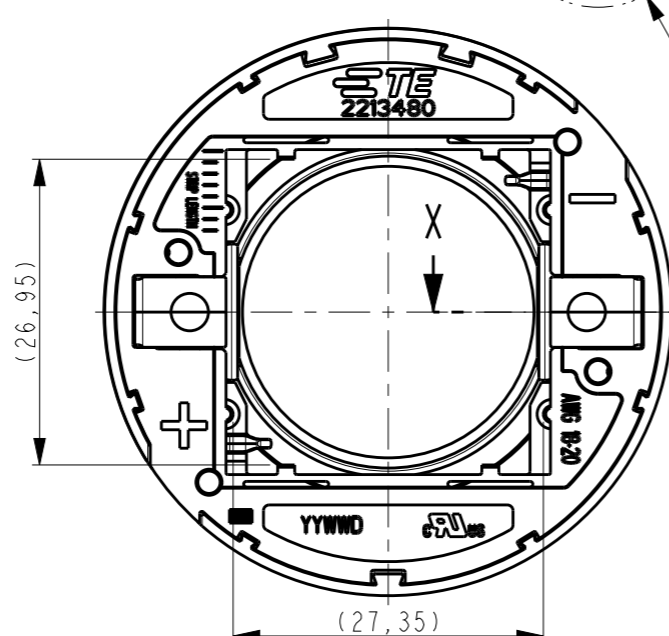
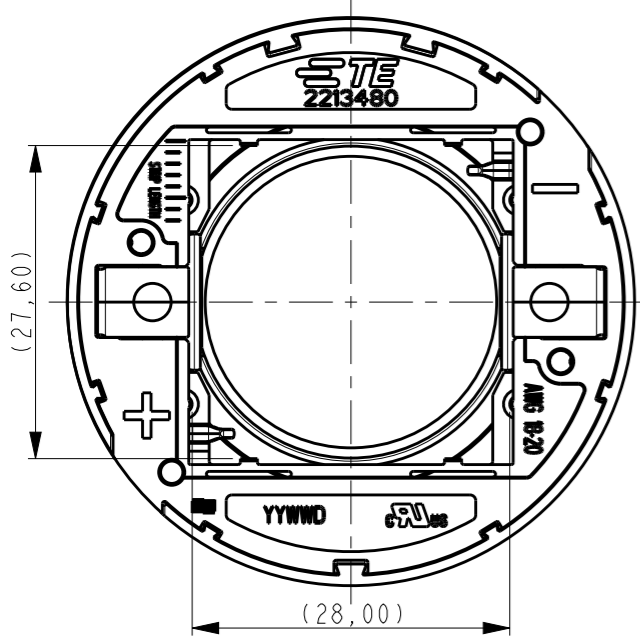
2213480-2 AS SHOWN



SECTION X-X

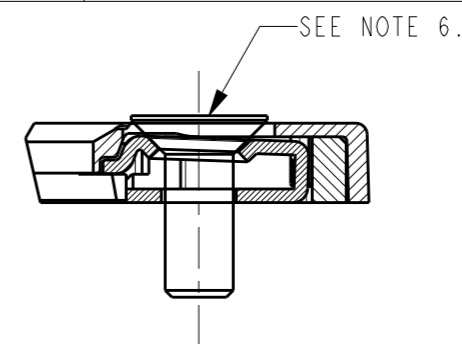
1.2 MAX. LED HEIGHT

SEE DETAIL A



RELEASED LED'S

NAME	DATA SHEET	REVISION	PART NUMBER
LUMINUS CXM-22	PDS-002437	REV 04	2213480-1
CITIZEN	CLU044		
CITIZEN	CLU046		
CITIZEN	CLU730		
CITIZEN	CLL040		
CITIZEN	CLL042		
CITIZEN	CLU730		
CREE	CMT 2890		
LG INNOTEK	LEMWM28C80LZXXXX		
LG INNOTEK	LEMWM28C80HZXXXX		
EDISON OPTO	2PHM40X		
LUMINUS	CXM-22	PDS-002437 REV 04	
PANASONIC	DMC12CC	PM-VSO / 5	
PANASONIC	DMC 17CC	PM-VSO / 5	
PANASONIC	DMS 150		
PANASONIC	DMS 120		
PANASONIC	DMS12CC40G		
BRIDGELUX	V22C GEN 7 ARRAY	DS103 REV. C (07/2016)	
SAMSUNG	LC040D Δ_{10}	REV 2.0, JUNE 30, 2016	
SAMSUNG	LC060D Δ_{10}		
SAMSUNG	LC080D Δ_{10}		
SEOUL	SDW05F1C, SDW85F1C, ZC40	REV1.0, JULY 19, 2013	



DETAIL A
SCALE 3:1

THIS DRAWING IS A CONTROLLED DOCUMENT.		DWN 08APRIL2014 P. POORTER	TE Connectivity	
DIMENSIONS: mm		CHK 08APRIL2014 O. LEIJNSE		
TOLERANCES UNLESS OTHERWISE SPECIFIED:		APVD 08APRIL2014 O. LEIJNSE	NAME LUMAWISE Z50 high performance LED HOLDER	
0 PLC ±- 1 PLC ±- 2 PLC ±- 3 PLC ±- 4 PLC ±- ANGLES ±-		PRODUCT SPEC 108-133018	RESTRICTED TO	
MATERIAL		APPLICATION SPEC 114-133019	SIZE A3	CAGE CODE 00779
		WEIGHT -	DRAWING NO C-2213480	
		Customer Drawing	SCALE 3:2	SHEET 2 OF 3
			REV C5	

4

3

2

1

THIS DRAWING IS UNPUBLISHED.

RELEASED FOR PUBLICATION

© COPYRIGHT - BY TYCO ELECTRONICS CORPORATION. ALL RIGHTS RESERVED.

LOC	DIST	REVISIONS					
		P	LTR	DESCRIPTION	DATE	DWN	APVD
		-		SEE SHEET 1	-	-	-

RECOMMENDED DRILLING HOLE PATTERN:

M3 (2x)
 ± 0.1

35,00

$\varnothing 50.0$ MIN.
KEEP OUT ZONE

NOMINAL LED INFO:

THE SKETCH BELOW IS SHOWING THE NOMINAL LED COB DIMENSIONS TO MATCH WITH THE Z50 LED HOLDER 2828

FOR TECHNICAL DETAILS ABOUT A PROPER MATCH WITH A SPECIFIC LED COB ARRAY PLEASE CONTACT A REPRESENTATIVE AT TE-CONNECTIVITY

27.35-28,00
NOMINAL

CONTACT POINTS
AREA (2x)

27.35-28,00
NOMINAL

1.2 MAX.

LES
25,50 MAX.

RECOMMENDED KEEP OUT AREA FOR CLAMPING:

25,8 MIN.

12,7 MIN.

NO TRACKS BELOW THIS AREA !

THIS DRAWING IS A CONTROLLED DOCUMENT.		DWN P. POORTER 08APRIL2014	TE Connectivity	
DIMENSIONS: mm		CHK O. LEIJNSE 08APRIL2014		
TOLERANCES UNLESS OTHERWISE SPECIFIED:		APVD O. LEIJNSE 08APRIL2014	NAME LUMAWISE Z50 high performance LED HOLDER	
0 PLC \pm		PRODUCT SPEC 108-133018	SIZE A3	
1 PLC \pm		APPLICATION SPEC 114-133019	CAGE CODE 00779	DRAWING NO C-2213480
2 PLC \pm		MATERIAL -	RESTRICTED TO -	
3 PLC \pm		FINISH -	SCALE 3:2	
4 PLC \pm			SHEET 3 OF 3	
ANGLES \pm			REV C5	
MATERIAL -		WEIGHT -	Customer Drawing	

1470-19 (3/11)

Mouser Electronics

Authorized Distributor

Click to View Pricing, Inventory, Delivery & Lifecycle Information:

[TE Connectivity:](#)

[2213480-2](#)