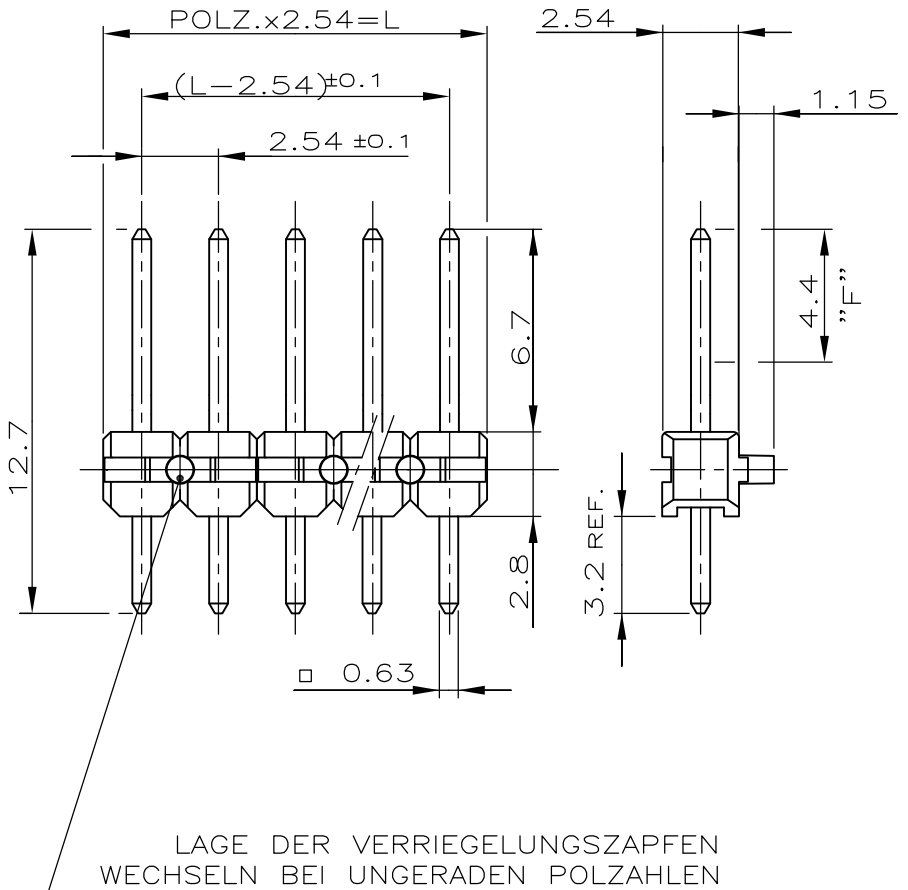


WAR NR. -	LOC	DIST	REVISIONS			DATE	DWN	APVD
VERWENDET FÜR -	-	-	P	LTR	DESCRIPTION			
ÄNDERUNGEN, DIE DEM TECHNISCHEN FORTSCHRITT DIENEN, BEHALTEN WIR UNS VOR			BESCHREIBUNG					
			S		CONTACT PIN MATERIAL CHANGED FROM CuSn (Phosphor bronze) TO CuZn (Brass). PLATING CHANGED FROM MIN. 0.8µm GOLD PLATING TO MIN. 0.7µm PdNi+0.1µm GOLD FLASH AT CONTACT AREA.	27MAY2014	TJ	JK

POLZ.	L±0.5	BESTELL-NR.	
1	2.54	△	-1
2	5.08	825 433	-2
3	7.62		-3
4	10.16		-4
5	12.70		-5
6	15.24		-6
7	17.78		-7
8	20.32		-8
9	22.86		-9
10	25.40	1-	-0
11	27.94	1-	-1
12	30.48	1-	-2
13	33.02	1-	-3
14	35.56	1-	-4
15	38.10	1-	-5
16	40.64	1-	-6
17	43.18	1-	-7
18	45.72	1-	-8
19	48.26	1-	-9
20	50.80	2-	-0
21	53.34	2-	-1
22	55.88	2-	-2
23	58.42	2-	-3
24	60.96	2-	-4
25	63.50	2-	-5
26	66.04	2-	-6
27	68.58	2-	-7
28	71.12	2-	-8
29	73.66	2-	-9
30	76.20	3-	-0
31	78.74	3-	-1
32	81.28	3-	-2
33	83.82	3-	-3
34	86.36	3-	-4
35	88.90	3-	-5
36	91.44	3-	-6
37	93.98	3-	-7
38	96.52	3-	-8
39	99.06	3-	-9
40	101.60	4-	-0
41	104.14	4-	-1
42	106.68	4-	-2
43	109.22	4-	-3
44	111.76	4-	-4
45	114.30	4-	-5
46	116.84	4-	-6
47	119.38	4-	-7
48	121.92	4-	-8
49	124.46	4-	-9
50	127.00	5- 825 433	-0



△ MIN 0.7µm PdNi+0.1µm GOLD FLASH AT CONTACT AREA "F".  
 MIN. 2.5µm TIN OVER 1.27µm NICKEL AT SOLDER AREA.

△ VARIANTE 825433-1 ERSETZT DURCH 826629-1

△ OBSOLETE PARTS

△ OBSOLETE PARTS: OBSOLETE CIS STREAMLINING PER D.RENAUD/D.SINISI

CONTACT PIN	Cu Zn	△
HOUSING	PBT GV	GREEN
DESCRIPTION	MATERIAL	COLOR FINISH

RELEASED FOR PUBLICATION  
 VERLEHREND VERÖFFENTLICHUNG  
 ALL RIGHTS RESERVED.  
 VERLEHREND UNVERÖFFENTLICHE ZEICHNUNG  
 COPYRIGHT ©

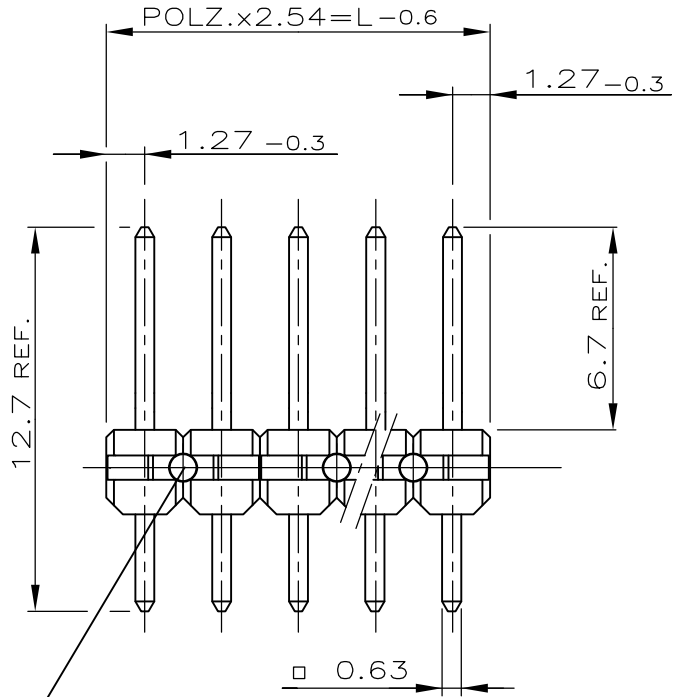
DIMENSIONS: MASSENHEITEN mm	
TOLERANCES UNLESS OTHERWISE SPECIFIED: ALLGEMEINTOLERANZEN	
±0.2 mm	
0 PLC ± -	
1 PLC ± -	
2 PLC ± -	
3 PLC ± -	
4 PLC ± -	
ANGLES /WINKEL ± .	

DWN	A.HO	10.05.84
CHK	M.SCHAARSCHMIDT	10.05.84
APVD	W.MORITZ	10.05.84
PRODUCT SPEC	PRODUKTSPEZ.	108-18012
APPLICATION SPEC	VERARBEITUNGSSPEZ.	-
WEIGHT	GEWICHT	-

CAD-ORIGINAL ZEICHNUNG NICHT ÄNDERN		ZEICHNUNG GÜLTIG AB 39/96..	
MATERIAL -		FINISH OBERFLAECHE/FARBE -	
TE Connectivity			
NAME AMPMODU II PIN HEADER			
SIZE	CAGE CODE	DRAWING NO	RESTRICTED TO NUR FUER
A4	00779	825433	-
CUSTOMER DRAWING /KUNDENZEICHNUNG		SCALE MASSSTAB 4:1	SHEET BLATT 1 OF 2 VON 2
			REV S

LOC	DIST	REVISIONS					
—	—	P	LTR	DESCRIPTION	DATE	DWN	APVD
VERWENDET FÜR —		—	—	SEE SHEET 1	—	—	—
WAR NR. —							

POLZ.	L - 0.6	BESTELL-NR.
2	5.08	-2
3	7.62	5-825 433-3
4	10.16	5- -4
5	12.70	5- -5
6	15.24	5- -6
7	17.78	5- -7
8	20.32	5- -8
9	22.86	5- -9
10	25.40	6- -0
11	27.94	6- -1
12	30.48	6- -2
13	33.02	6- -3
14	35.56	6- -4
15	38.10	6- -5
16	40.64	6- -6
17	43.18	6- -7
18	45.72	6- -8
19	48.26	6- -9
20	50.80	7- -0
21	53.34	7- -1
22	55.88	7- -2
23	58.42	7- -3
24	60.96	7- -4
25	63.50	7- -5
26	66.04	7- -6
27	68.58	7- -7
28	71.12	7- -8
29	73.66	7- -9
30	76.20	8- -0
31	78.74	8- -1
32	81.28	8- -2
33	83.82	8- -3
34	86.36	8- -4
35	88.90	8- -5
36	91.44	8- -6
37	93.98	8- -7
38	96.52	8- -8
39	99.06	8- -9
40	101.60	9- -0
41	104.14	9- -1
42	106.68	9- -2
43	109.22	9- -3
44	111.76	9- -4
45	114.30	9- -5
46	116.84	9- -6
47	119.38	9- -7
48	121.92	9- -8
49	124.46	9- -9
50	127.00	5- -0



LAGE DER VERRIEGELUNGSZAPFEN WECHSELN BEI UNGERADEN POLZAHLEN

BENENNUNG	WERKSTOFF	OBERFLÄCHE FARBE
-----------	-----------	------------------

CAD-ORIGINAL  
ZEICHNUNG NICHT ÄNDERN

ZEICHNUNG GÜLTIG AB 39./96.

THIS DRAWING IS UNPUBLISHED. ALL RIGHTS RESERVED. RELEASED FOR PUBLICATION.

DIMENSIONS: mm	DWN A.HO 14.08.90	MATERIAL	FINISH
TOLERANCES UNLESS OTHERWISE SPECIFIED: ±0.2 mm	CHK M.SCHAARSCHMIDT	TE Connectivity	
0 PLC ± -	APVD		
1 PLC ± -	PRODUCT SPEC	NAME AMPMODU II PIN HEADER	
2 PLC ± -	APPLICATION SPEC	SIZE	CAGE CODE
3 PLC ± -		A4	00779
4 PLC ± -		DRAWING NO	RESTRICTED TO
ANGLES ± -	WEIGHT	C-825433	—
CUSTOMER DRAWING		SCALE 4:1	SHEET 2 OF 2
			REV S

# Mouser Electronics

Authorized Distributor

Click to View Pricing, Inventory, Delivery & Lifecycle Information:

[TE Connectivity:](#)

[5-825433-0](#)