

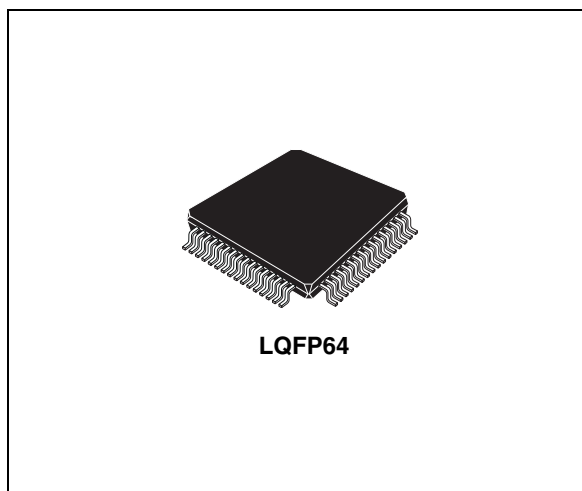
Highly integrated tuner for AM/FM car radio

Features

- Fully integrated VCO for world tuning
- High performance PLL for fast RDS system
- AM/FM mixers with high image rejection
- Integrated AM-LNA and AM-PINDIODE
- Automatic self alignment for preselection and image rejection
- Digital IF signal processing, high performance and drift-free
- Integrated IF-filters with high selectivity, high dynamic range and adaptive bandwidth control
- RDS demodulation with group and block synchronization
- High performance stereodecoder with noiseblanker
- I²C/SPI bus controlled
- Single 5 V supply
- LQFP64 package

Description

The TDA7705 highly integrated tuner (HIT) is a new generation of high performance tuners for car radio applications.



It contains mixers and IF amplifiers for AM and FM, fully integrated VCO and PLL synthesizer, IF-processing including adaptive bandwidth control, stereo decoder and RDS decoder on a single chip.

The utilization of digital signal processing results in numerous advantages against today's tuners: very low number of external components, very small space occupation and easy application, very high selectivity due to digital filters, high flexibility by software control and automatic alignment.

Table 1. Device summary

Order code	Package	Packing
TDA7705	LQFP64 (10x10x1.4mm)	Tray
TDA7705TR	LQFP64 (10x10x1.4mm)	Tape and reel

Contents

1	Block diagram and pins description	6
1.1	Block diagram	6
1.2	Pin description	7
2	Function description	10
2.1	FM - mixers	10
2.2	FM - AGC	10
2.3	AM - LNA	10
2.4	AM - AGC	10
2.5	AM - mixers	10
2.6	IF A/D converters	11
2.7	Audio D/A converters	11
2.8	VCO	11
2.9	PLL	11
2.10	Crystal oscillator	11
2.11	DSP	11
2.12	IO interface pins	12
2.13	Serial interface	12
2.13.1	Serial interface choice / boot mode	12
2.13.2	I ² C bus protocol	13
2.13.3	SPI bus protocol	14
3	Electrical specifications	16
3.1	Absolute maximum ratings	16
3.2	Thermal data	16
3.3	General key parameters	16
3.4	Electrical characteristics	17
3.4.1	FM - section	17
3.4.2	AM - section	18
3.4.3	VCO	19
3.4.4	Phase locked loop	19
3.4.5	Tuning DAC	19

3.4.6	IF ADC	19
3.4.7	Audio DAC	20
3.4.8	IO interface pins	20
3.4.9	I ² C interface	21
3.4.10	SPI interface	22
3.4.11	Warning	22
3.5	Overall system performance	23
3.5.1	FM overall system performance	23
3.5.2	AM MW overall system performance	25
3.5.3	AM LW overall system performance	27
3.5.4	AM SW overall system performance	28
3.5.5	WX overall system performance	29
4	Front-end processing	30
5	Weak signal processing	33
5.1	FM IF-processing	33
5.1.1	Dynamic channel selection filter (DISS)	33
5.1.2	Soft mute	33
5.1.3	Adjacent channel mute	34
5.1.4	Stereo blend-	34
5.1.5	High cut control	35
5.1.6	Stereo decoder	36
5.2	AM IF-processing	36
5.2.1	Channel selection filter	36
5.2.2	Soft mute	36
5.2.3	High cut control	37
6	Application schematics	38
6.1	Basic application schematic	38
6.2	Application schematic example with SPI-bus and tuned preselection	39
7	Package information	40
8	Revision history	41

List of tables

Table 1.	Device summary	1
Table 2.	Pin description	7
Table 3.	Boot mode pin configuration	13
Table 4.	Absolute maximum ratings	16
Table 5.	Thermal data	16
Table 6.	General key parameters	16
Table 7.	FM - section	17
Table 8.	AM - section	18
Table 9.	VCO	19
Table 10.	Phase locked loop	19
Table 11.	Tuning DAC	19
Table 12.	IF ADC	19
Table 13.	Audio DAC	20
Table 14.	IO interface pins	20
Table 15.	I ² C interface	21
Table 16.	SPI interface	22
Table 17.	FM overall system performance	23
Table 18.	AM MW overall system performance	25
Table 19.	AM LW overall system performance	27
Table 20.	AM SW overall system performance	28
Table 21.	WX overall system performance	29
Table 22.	Register 0x00	30
Table 23.	Register 0x01	31
Table 24.	Register 0x02	31
Table 25.	Register 0x05	32
Table 26.	Dynamic channel selection filter (DISS)	33
Table 27.	Soft mute	33
Table 28.	Adjacent channel mute	34
Table 29.	Stereo blend	34
Table 30.	High cut control	35
Table 31.	De-emphasis filter	36
Table 32.	Stereo decoder	36
Table 33.	Channel selection filter	36
Table 34.	Soft mute	36
Table 35.	High cut control	37
Table 36.	Document revision history	41

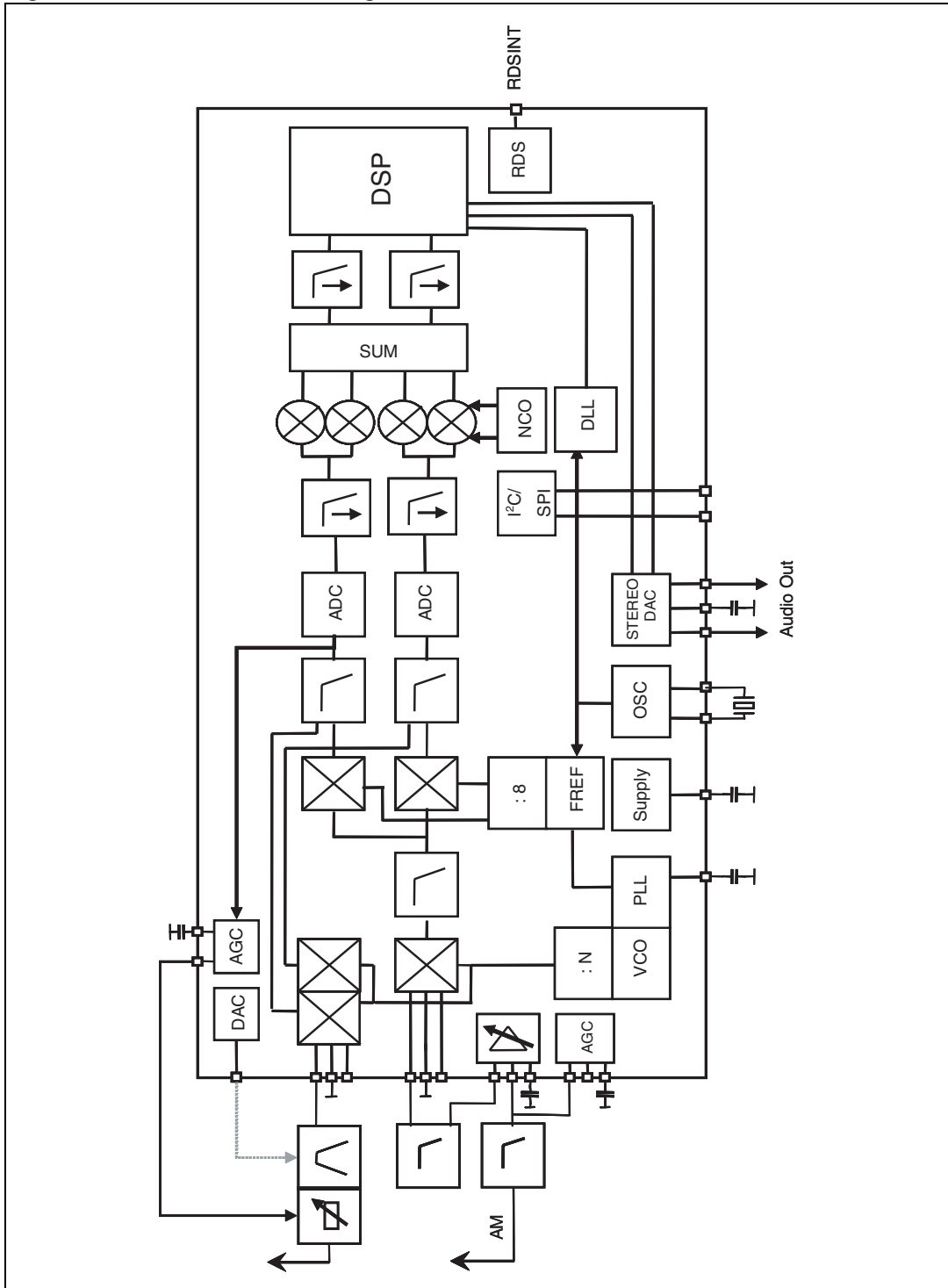
List of figures

Figure 1.	Functional block diagram	6
Figure 2.	Pin connection (top view)	7
Figure 3.	I ² C "write" sequence	13
Figure 4.	I ² C "read" sequence	14
Figure 5.	SPI modes	15
Figure 6.	SPI "write" sequence	15
Figure 7.	SPI "read" sequence	15
Figure 8.	I ² C bus timing diagram	21
Figure 9.	SPI bus timing diagram	22
Figure 10.	FM input set-up	23
Figure 11.	AM MW input set up	25
Figure 12.	AM LW input set-up	27
Figure 13.	AM SW input set-up	28
Figure 14.	WX input set-up	29
Figure 15.	FM wide-band application / I ² C control	38
Figure 16.	Example of FM tuned (narrow-band) application / SPI control	39
Figure 17.	LQFP64 (10x10x1.4mm) mechanical data and package dimensions.	40

1 Block diagram and pins description

1.1 Block diagram

Figure 1. Functional block diagram



1.2 Pin description

Figure 2. Pin connection (top view)

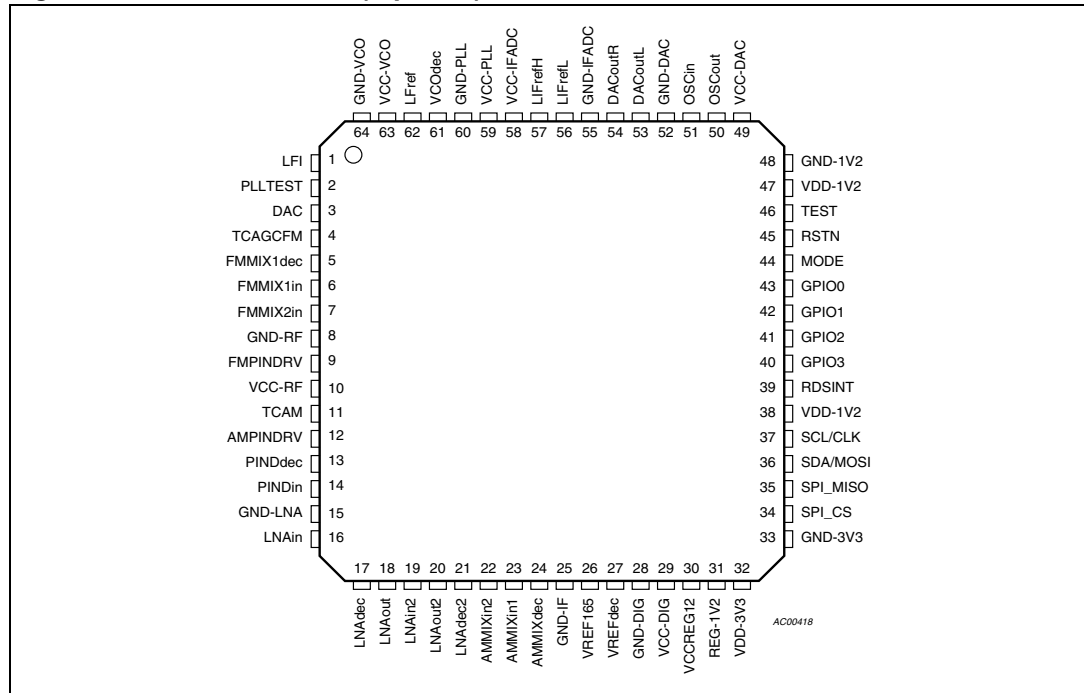


Table 2. Pin description

Pin #	Pin name	Function
1	LFI	PLL loopfilter output
2	PLLTEST	PLL test output / GPO
3	DAC	FM tuning DAC output
4	TCAGCFM	FM AGC time constant
5	FMMIX1dec	FM mixer decoupling
6	FMIX1in	FM mixer input 1
7	FMIX2in	FM mixer input 2
8	GND-RF	RF Ground
9	FMPINDRV	FM AGC PIN diode driver
10	VCC-RF	5V supply for RF section
11	TCAM	AM AGC time constant
12	AMPINDRV	AM AGC external PIN diode driver
13	PINDdec	AM AGC internal PIN diode decoupling
14	PINDin	AM AGC internal PIN diode input
15	GND-LNA	AM LNA and internal PIN diode GND
16	LNAin	AM LNA input

Table 2. Pin description (continued)

Pin #	Pin name	Function
17	LNAdec	AM LNA decoupling
18	LNAout	AM LNA output first stage
19	LNAin2	AM LNA input 2 nd stage
20	LNAout2	AM LNA output
21	LNAdec2	AM LNA decoupling 2 nd stage
22	AMMIXin2	AM mixer input 2
23	AMMIXin1	AM mixer input 1
24	AMMIXdec	AM mixer decoupling
25	GND-IF	IF and Vref GND
26	VREF165	1.65V reference voltage decoupling
27	VREFdec	3.3V reference voltage decoupling
28	GND-DIG	Digital GND
29	VCC-DIG	5V supply for digital logic
30	VCCreg1V2	VCC of 1.2V regulator
31	REG1V2	1.2V regulator output
32	VDD-3V3	3.3V VDD output / decoupling
33	GND-3V3	3.3V VDD GND
34	SPI_CS	SPI chip select
35	SPI_MISO	SPI Data output
36	SDA / SPI_MOSI	I ² C bus data / SPI data input
37	SCL / SPI_CLK	I ² C bus Clock / SPI clock
38	VDD-1V2	1.2V DSP supply
39	RDSINT	RDS interrupt
40	GPIO3	Reserved
41	GPIO2	Reserved
42	GPIO 1	Reserved
43	GPIO 0	Reserved
44	MODE	For debug purpose only, connected to GND
45	RSTN	Reset pin (active low)
46	TEST	Test input
47	VDD-1V2	1.2V DSP supply
48	GND-1V2	Digital GND for 1.2V VDD
49	VCC-DAC	5V supply of audio DAC
50	OSCOut	Xtal osc output
51	OSCIin	Xtal osc input

Table 2. Pin description (continued)

Pin #	Pin name	Function
52	GND-DAC	Audio DAC GND
53	DACoutL	Audio output left
54	DACoutR	Audio output right
55	GND-IFADC	IF ADC GND
56	LIFrefL	IF ADC reference low
57	LIFrefH	IF ADC reference high
58	VCC-IFADC	5V supply of IF ADC
59	VCC-PLL	5V supply of PLL
60	GND-PLL	PLL GND
61	VCO-dec	VCO decoupling
62	LFref	Loopfilter reference
63	VCC-VCO	5V supply of VCO
64	GND-VCO	VCO GND

2 Function description

2.1 FM - mixers

The image-rejection mixer has two FM inputs, selectable through software. These inputs feed stages with different gains, noise figures, and IIP3. They are optimized for best performance in case of a passive tuned prestage and for a passive fixed bandpass without tuning for low-cost application respectively.

The second input offers also the possibility of an easy addition of a weather-band preselection filter.

The input frequency is downconverted to low IF with high image rejection.

The tuned application is supported by an 8-bit tuning DAC. The alignment of the DAC is performed automatically.

2.2 FM - AGC

The programmable RFAGC senses the mixer input whereas the IFAGC senses the IFADC input to avoid overload.

The PIN diode driver is able to drive external PIN diodes with a current value as high as 15mA.

The time constant of the FM-AGC is defined by an external capacitor.

2.3 AM - LNA

The AM-LNA is integrated with low noise and high IIP2 and IIP3. The gain of the LNA is controlled by the AGC. The maximum gain is set with an external resistor, typically 26 dB with 1 k Ω .

2.4 AM - AGC

The programmable AM-RF-AGC senses the mixer inputs and controls the internal PIN diode and LNA gain.

First the LNA gain is reduced by about 10dB, then the PIN diodes are activated to attenuate the signal.

The time constant of the AM-AGC is defined with an external capacitor and programmable internal currents.

2.5 AM - mixers

The image-rejection mixer has two AM inputs selectable via software. It easily supports low-cost applications for extended frequency bands like SW, DRM.

The input frequency is converted to low IF with high image rejection.

2.6 IF A/D converters

A high performance IQ-IFADC converts the IF-signal to digital IF for subsequent digital signal processing.

2.7 Audio D/A converters

A stereo DAC provides the left / right audio signals after IF-processing and stereodecoding by the DSP.

2.8 VCO

The VCO is fully integrated without any external tuning component. It covers all FM frequency bands including EU, US, Japan, EastEU, Weatherband and AM-bands including LW, MW, SW.

2.9 PLL

The high speed tuning PLL is able to settle within about 300 μ s for fast RDS applications. The frequency step can be as low as 5 kHz in FM and 500 Hz in AM.

2.10 Crystal oscillator

The device works with a 37.05 MHz fundamental tone crystal, and can be used also with a 3rd overtone 37.05 MHz crystal.

2.11 DSP

The DSP and its hardware accelerators perform all the digital signal processing. The main program is fixed in ROM. Control parameters are copied in RAM and are accessible and modifiable there, thus allowing parametric performance optimization.

It performs:

- digital down-conversion of IF
- bandwidth selection with variable controlled bandwidth
- FM and AM noiseblanking
- FM/AM demodulation with softmute, high-cut, weak signal processing and quality detection
- FM stereo decoding with stereo blend
- RDS demodulation including error correction and block synchronization with generation of an RDS interrupt for the main μ P
- Autonomous control of RDS-AF tests
- Self alignment of preselection tuning

2.12 IO interface pins

The TDA7705 has the following IO pins:

PLLTEST	pin 2	general purpose output
SPI_CS	pin 34	serial communication with μ P
SPI_MISO	pin 35	serial communication with μ P
SDA/MOSI	pin 36	serial communication with μ P
SCL/CLK	pin 37	serial communication with μ P
RDSINT	pin 39	serial communication with μ P
RSTN	pin 45	reset pin driven by μ P

The pins labeled GPIO0, 1, 2 and 3 (pins 43 to 40) are reserved.

The pin PLLTEST output voltage can be freely programmed via software and be used to drive switches if needed by the application.

All the inputs are voltage-tolerant up to 3.5 V . The outputs can drive currents up to 0.5 mA from the internal 3.3 V supply line.

2.13 Serial interface

The device is controlled with a standard I²C bus or SPI interface.

Through the serial bus the processing parameters can be modified and the signal quality parameters and the RDS information can be read out.

The operation of the device is handled through high level commands sent by the main car-radio μ P through the serial interface, which allow to simplify the operations carried out in the main μ P. The high level commands include among others:

- set frequency (which allows to avoid computing the PLL divider factors);
- start seek (the seek operation can be carried out by the TDA7705 in a completely autonomous fashion);
- RDS seek/search (jumps to AF and quality measurements are automatically sequenced).

2.13.1 Serial interface choice / boot mode

The device can communicate with the main μ P with two different standard serial protocols: SPI and I²C. The configuration is chosen by setting the proper value (0V or 3.3V) at pins 35 and 39 and it is latched (e.g. made effective) when the RSTN line transitions from low to high (when RSTN is low, the IC is in reset mode).

The voltage level forced to pins 35 and 39 must be released to start the system operation a suitable time after the RSTN line has gone high.

The list of configurations is shown in the following table:

Table 3. Boot mode pin configuration

Configuration:		I ² C (addr. 0 x C2)		I ² C (addr. 0 x C8)		SPI	
Pin		at reset	operation	at reset	operation	at reset	operation
39	RDSINT	0 in	RDS interrupt out	0 in	RDS interrupt out	1 in	RDS interrupt out
37	SCL	x	I ² C SCL in	x	I ² C SCL in	x	SPI CLK in
36	SDA	x	I ² C SDA in/out	x	I ² C SDA in/out	x	SPI MOSI in
35	(SPI_MISO)	0 in	-	1 in	-	1 in	SPI MISO out
34	(SPI_CS)	x	-	x	-	x	SPI SS in

If I²C serial bus is chosen as means of communication with the controlling device, two chip addresses are possible: 0xC2/C3 or 0xC8/C9, depending on the initial configuration of pins 35 and 39.

The status of pins 35 and 39 during the reset phase can be set to:

high, through external <10 kΩ resistors tied to 3.3V (pin 32), or

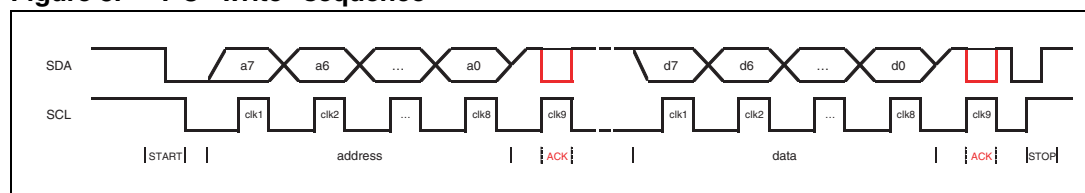
low, by not forcing any voltage on them from outside, as 50 kohm internal pull-down resistors are present on said pins.

To make sure the boot mode is correctly latched up at start-up, it is advisable to keep the RSTN line low until the IC supply pins have reached their steady state, and then for an additional time T_{reset} (see [Section 3.4.8](#)).

2.13.2 I²C bus protocol

I²C requires two signals: clock (SCL) and data (SDA - bidirectional). The protocol requires an acknowledge after any 8-bit transmission.

A "write" communication example is shown in the figure below, for an unspecified number of data bytes (see the relevant technical documentation for frame structure description):

Figure 3. I²C "write" sequence

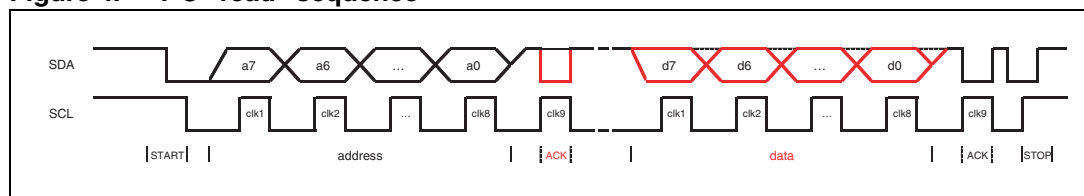
The sequence consists of the following phases:

- **START:** SDA line transitioning from H to L with SCL fixed H. This signifies a new transmission is starting;
- **data latching:** on the rising SCL edge. The SDA line can transition only when SCL is low (otherwise its transitions are interpreted as either a START or a STOP transition);
- **ACKnowledge:** on the 9th SCL pulse the μ P keeps the SDA line H, and the TDA7705 pulls it down if communication has been successful. Lack of the acknowledge pulse generation from the TDA7705 means that the communication has failed;
- a chip address byte must be sent at the beginning of the transmission. The value can be C2 or C8 (according to the mode chosen at start-up during boot) for "write";
- as many data bytes as needed can follow the address before the communication is terminated. See the next section for details on the frame format;
- **STOP:** SDA line transitioning from L to H with SCL H. This signifies the end of the transmission.

Red lines represent transmissions from the TDA7705 to the μ P.

A "read" communication example is shown in the figure below, for an unspecified number of data bytes (see later on for frame structure description):

Figure 4. I²C "read" sequence



The sequence is very similar to the "write" one and has the same constraints for start, stop, data latching. The differences follow:

- a chip address must always be sent by the μ P to the TDA7705; the address must be C3 (if C2 had been selected at boot) or C9 (if C8 had been selected at boot);
- a header is transmitted after the chip address (the same happens for "write") before data are transferred from the TDA7705 to the μ P. See the relevant technical documentation for details on the frame format;
- when data are transmitted from the TDA7705 to the μ P, the μ P keeps the SDA line H;
- the ACKnowledge pulse is generated by the μ P for those data bytes that are sent by the TDA7705 to the μ P. Failure of the μ P to generate an ACK pulse on the 9th CLK pulse has the same effect on the TDA7705 as a STOP.

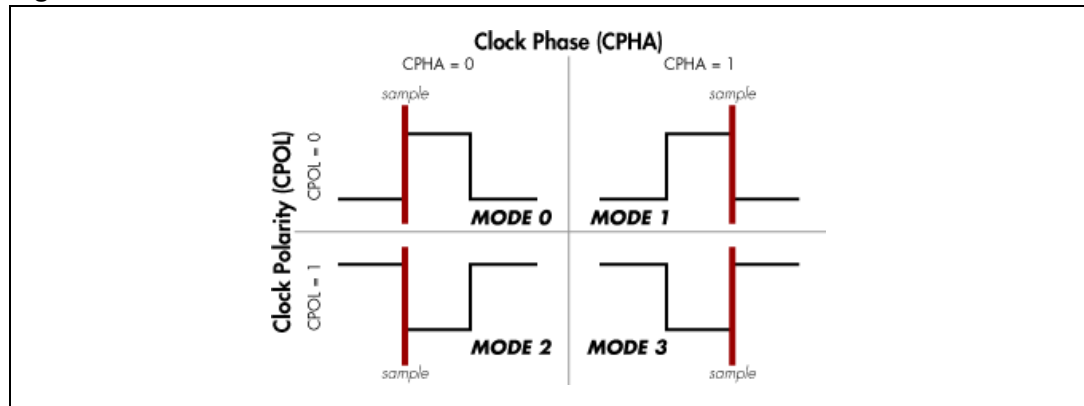
The max. clock speed is 500 kbit/s.

2.13.3 SPI bus protocol

SPI requires four signals: clock (CLK), master output/slave input (MOSI - for communication from the μ P to the TDA7705), master input/slave output (MISO - for communication from the TDA7705 to the μ P), chip select (CS). CLK is generated by the master device and is used for synchronization. MOSI and MISO are the data lines. The CS line is unique for each device in an SPI bus. The μ P pulls low the TDA7705 CS line to select it for communication. The protocol does not foresee any transmission acknowledgement.

The SPI protocol has four possible modes of operation as far as data latching is concerned:

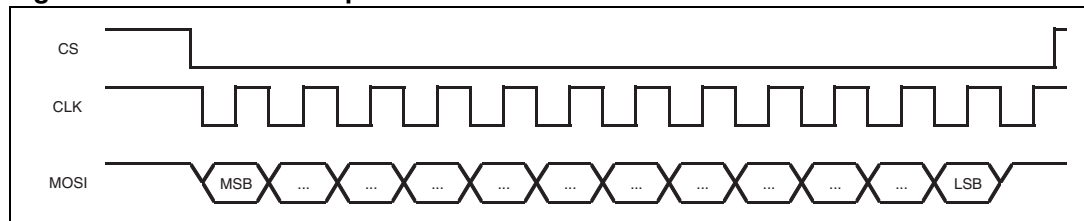
Figure 5. SPI modes



In the case of the TDA7705, the data are latched on the clock's rising edge, with CPOL = 1 and CPHA = 1 (mode 3 in the figure above). According to the specification of this mode, the polarity of the CLK line when no communication is taking place is high.

A "write" communication example is shown in the figure below, for an unspecified number of bits (see the relevant technical documentation for frame structure description):

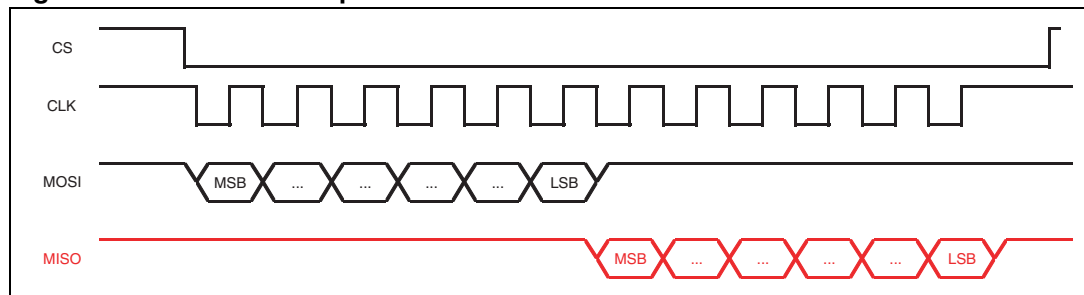
Figure 6. SPI "write" sequence



The start condition is signaled by the CS line going low, and the stop condition by the CS line going high. It is not allowed to toggle the CS line while the communication is going on.

A "read" communication example is shown in the figure below, for an unspecified number of bits (see the relevant technical documentation for frame structure description):

Figure 7. SPI "read" sequence



The red line is controlled by the TDA7705, whereas the black lines are controlled by the μ P.

3 Electrical specifications

3.1 Absolute maximum ratings

Table 4. Absolute maximum ratings

Symbol	Parameter	Test condition	Min	Typ	Max	Units
V _{CC}	Supply voltage	-	-	-	5.5	V
T _{stg}	Storage temperature	-	-55	-	150	°C
V _{ESD}	ESD withstand voltage	Human body model	≥ ±2000			V
		Charged device model	≥ ±450			
		Charged device model, corner pins	≥ ±750			
		Machine model	≥ ±150			

3.2 Thermal data

Table 5. Thermal data

Symbol	Parameter	Test condition	Value	Units
R _{Th j-amb}	Thermal resistance junction-to-ambient	LQFP64 10x10, double-layer JEDEC PCB	55	°C/W

3.3 General key parameters

Table 6. General key parameters

Symbol	Parameter	Test condition	Min	Typ	Max	Units
V _{CC}	5 V supply voltage	-	4.7	5	5.25	V
I _{CC}	Supply current @ 5 V	-	-	220	295	mA
T _{amb}	Ambient temperature range	-	-40	-	85	°C
V _{VCCREG12}	VCCREG12 supply voltage	see note ⁽¹⁾	2	-	-	V
V _{1V2}	Digital core 1.2V supply voltage	when supplied externally see note ⁽²⁾	1.08	1.2	1.32	V
I _{1V2}	Digital core 1.2 V supply current	V _{1V2} = 1.08 V see note ⁽²⁾	-	-	120	mA
		V _{1V2} = 1.2 V see note ⁽²⁾	-	80	135	mA
		V _{1V2} = 1.32 V see note ⁽²⁾	-	-	150	mA

1. In the typical application supplied from 5V with a series resistor.

2. When the 1.2 V supply is applied externally, and not using the internal 1.2 V regulator.

3.4 Electrical characteristics

$V_{CC} = 4.7 \text{ V to } 5.25 \text{ V}$; $T_{amb} = -40 \text{ }^\circ\text{C to } +85 \text{ }^\circ\text{C}$; unless otherwise specified.

3.4.1 FM - section

Table 7. FM - section

Symbol	Parameter	Test condition	Min	Typ	Max	Units
FM IMR mixer						
R_{in}	Input resistance	-	90	130	170	$k\Omega$
V_{noise}	Input noise voltage	Mix 1, $R_{source} = 1.5 \text{ k}\Omega$, noiseless	-	2.5	3.1	nV/\sqrt{Hz}
		Mix 2, $R_{source} = 800 \Omega$, noiseless	-	2	2.5	
IIP3	3 rd order intercept point	Mix 1 up to $V_{in/tone} = 90 \text{ dB}\mu\text{V}$	122	125	-	$\text{dB}\mu\text{V}$
		Mix 2 up to $V_{in/tone} = 85 \text{ dB}\mu\text{V}$	118	121	-	$\text{dB}\mu\text{V}$
FM AGC						
RFAGC-Thr	RFAGC threshold, referred to mixer input; RF level	Mix 1, min setting	-	87	-	$\text{dB}\mu\text{V}$
		Mix 1, max setting	-	93	-	
		Mix 2, min setting	-	85	-	
		Mix 2, max setting	-	91	-	
	Threshold steps	-	-	2	-	dB
	Threshold error	@ $T_{amb} = 27 \text{ }^\circ\text{C}$	-1.5		1.5	dB
Threshold temperature drift		-	0.016	-	dB/K	
IFAGC-Thr	IFAGC threshold, referred to mixer input; at tuned frequency RF level	Mix 1, min setting	-	81	-	$\text{dB}\mu\text{V}$
		Mix 1, max setting	-	85	-	
		Mix 2, min setting	-	77	-	
		Mix 2, max setting	-	81	-	
	Threshold steps	-	-	2	-	dB
	Threshold error	@ $T_{amb} = 27 \text{ }^\circ\text{C}$	-1.5		1.5	dB
Threshold temperature drift	-	-	0.016	-	dB/K	
-	Pin diode source current	@ $T_{amb} = 27 \text{ }^\circ\text{C}$; see note ⁽¹⁾	12	-	-	mA
-	Pin diode sink current	-	3	-	20	μA
-	Pin diode source current in constant current mode	@ $T_{amb} = 27 \text{ }^\circ\text{C}$; see note ⁽¹⁾	0.4	-	-	mA

1. The current is generated by a PTAT (Proportional To Absolute Temperature) source, and has therefore a temperature dependency described by: $\Delta I/I_0 = \Delta T/T_0$, with I_0 being the current at ambient temperature ($25 \text{ }^\circ\text{C}$) and T_0 the ambient temperature ($25 \text{ }^\circ\text{C}$) expressed in Kelvin, that is 298 K.

3.4.2 AM - section

Table 8. AM - section

Symbol	Parameter	Test condition	Min	Typ	Max	Units
AM IMR Mixer						
R_{in}	Input resistance	-	20	30	45	$k\Omega$
V_{out_max}	Max. output voltage	without clipping	-	126	-	$dB\mu V$
$V_{N,in}$	Input noise voltage	Mix 1, $R_{source} = 1 k\Omega$, noiseless	-	8.5	12	nV/\sqrt{Hz}
		Mix 2, $R_{source} = 1 k\Omega$, noiseless	-	8.5	12	
IIP3	3 rd order intercept point	Mix 1,2 up to $V_{in/tone} = 90 dB\mu V$	126	129	-	$dB\mu V$
IIP2	2 nd order intercept point	Mix1 1,2 up to $V_{in/tone} = 90 dB\mu V$	-	158	-	$dB\mu V$
LO hsupp	LO harmonic suppression	N=2,3,4,5,6	-	100	-	dB
		N=7,9	-	85	-	
AM LNA						
Gain	Voltage gain	Max Gain, $R_{ext} = 1 k\Omega$	21	25	28	dB
		Min Gain (AGC controlled)	-	12	-	
R_{in}	Input resistance	-	-	1000	-	$k\Omega$
C_{in}	Input capacitance	-	-	20	-	pF
$V_{N,in}$	Input noise voltage	-	-	1.0	1.4	nV/\sqrt{Hz}
IIP3	3 rd order intercept point	@ maximum LNA gain	-	125	-	$dB\mu V$
IIP2	2 nd order intercept point	@ maximum LNA gain	-	143	-	$dB\mu V$
AM PIN diode						
IIP2	2 nd order intercept point	Full attenuation, $C_{source} = 80 pF, f=1 MHz$	-	140	-	$dB\mu V$
R_{min}	Minimum resistance	-	-	50	80	Ω
C_{in}	Input capacitance	High ohmic	-	12	-	pF
AM AGC						
AGC-Thr	Referred to mixer input RF level	Mix 1,2 min setting	-	87	-	$dB\mu V$
		Mix 1,2 max setting	-	93	-	
Thr-steps	Threshold steps	-	-	1	-	dB
	Threshold error	@ $T_{amb} = 27\text{ }^\circ C$	-2.5	-	2.5	
	Threshold temperature drift	-	-3	-	3	
-	Pin diode source current	@ $T_{amb} = 27\text{ }^\circ C$; see note ⁽¹⁾	2	-	10	mA
-	Pin diode sink current	-	15	35	50	μA
-	Pin diode source current in constant current mode	@ $T_{amb} = 27\text{ }^\circ C$; see note ⁽¹⁾	1.5	2.5	3.5	mA

1. The current is generated by a PTAT (Proportional To Absolute Temperature) source, and has therefore a temperature dependency described by: $\Delta I/I_0 = \Delta T/T_0$, with I_0 being the current at ambient temperature (25 °C) and T_0 the ambient temperature (25 °C) expressed in Kelvin, that is 298 K.

3.4.3 VCO

Table 9. VCO

Symbol	Parameter	Test condition	Min	Typ	Max	Units
F_{VCO}	Frequency range VCO	-	1100		1550	MHz
PN	Phase noise of LO	Locked VCO; values referred @ 100MHz @ 100 Hz @ 1 kHz @ 10 kHz	-	-100 -115 -115	-	dBc/Hz
dev	Deviation error (rms)	FM reception, deemphasis 50 μ s, $f_{audio} = 20$ Hz...20 kHz	-	5	-	Hz

3.4.4 Phase locked loop

Table 10. Phase locked loop

Symbol	Parameter	Test condition	Min	Typ	Max	Units
T_{settle}	Settling time FM	$\Delta f < 10$ kHz	-	300	-	μ s
FM step	FM frequency step	-	-	5	-	kHz
AM step	AM frequency step	-	-	500	-	Hz

3.4.5 Tuning DAC

Table 11. Tuning DAC

Symbol	Parameter	Test condition	Min	Typ	Max	Units
Res	Resolution	8 bit	-	18	-	mV
V_{outmin}	Min output voltage	-	-	0.6	0.7	V
V_{outmax}	Max output voltage	-	VCC-0.2	VCC-0.1	-	V
R_{out}	Output impedance	-	1.5	2.5	3.5	k Ω
DNL	Diff. Non linearity	-	-	-	0.5	LSB
T_{conv}	Conversion time	-	-	20	-	μ s

3.4.6 IF ADC

Table 12. IF ADC

Symbol	Parameter	Test condition	Min	Typ	Max	Units
DR_{FM}	Dynamic range in FM	BW = ± 200 kHz	-	90	-	dB
$V_{N,in FM}$	Input noise referred to mixer input	mixer 1 mixer 2	-	1.1 0.7	1.9 1.2	nV/ \sqrt{Hz}
DR_{AM}	Dynamic range in AM	BW = ± 4 kHz	-	103	-	dB
$V_{N,in AM}$	Input noise referred to mixer input	-	-	6.9	12	nV/ \sqrt{Hz}

3.4.7 Audio DAC

Table 13. Audio DAC

Symbol	Parameter	Test condition	Min	Typ	Max	Units
V_{out}	Max. output voltage	Full scale	-	1	-	V _{rms}
BW	Bandwidth	1dB attenuation	-	15	-	KHz
R_{out}	Output resistance	-	600	750	900	Ω
$V_{N, out}$	Output noise	-	-	60	95	μ V _{rms}
THD	Distortion	-6 dBFS	-	0.03	0.04	%

3.4.8 IO interface pins

Table 14. IO interface pins

Symbol	Parameter	Test condition	Min	Typ	Max	Units
-	High level output voltage (all IOs except GPO pin 2)	$I_{out} = 500 \mu A$	2.9	3.2	-	V
-	GPIOs source current (all IOs in source mode except pin 2)	Total sourced current by all GPIOs	-	-	1.25	mA
-	Low level output voltage (all IOs except GPO pin 2)	$I_{out} = -1 \text{ mA}$	-	0.1	0.3	V
-	Input voltage range	-	0	-	3.5	V
-	High level input voltage	-	2.0	-	-	V
-	Low level input voltage	-	-	-	0.8	V
T_{reset}	Reset time	Minimum time during which pin RSTN must be low so as to reset the device	10	-	-	μ s
T_{latch}	Boot mode configuration latch time	Minimum time during which the voltage applied at pins 25 and 39 must be kept in order to latch the correct boot mode (serial bus configuration)	10	-	-	μ s
-	GPO PLLTEST (pin 2) max source current	-	-	-	1	mA
-	GPO PLLTEST (pin 2) max sink current	-	-1	-	-	mA
-	GPO PLLTEST (pin 2) minimum high level output voltage	$I_{out} = 1 \text{ mA}$	2.8	3.1	-	V
-	GPO PLLTEST (pin 2) maximum high level output voltage	$I_{out} = 1 \text{ mA}$	-	0.1	0.3	V

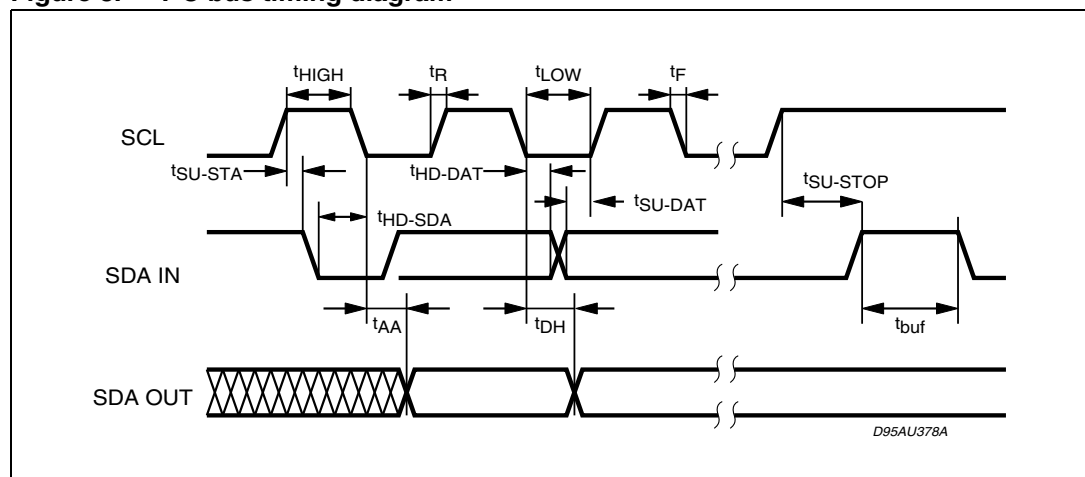
3.4.9 I²C interface

The following parameters apply to the serial bus communication when I²C protocol has been selected at start-up. For the other electrical characteristics of the pins, [Section 3.4.8](#) applies. The parameters of the following table are defined as in [Figure 8](#).

Table 15. I²C interface

Symbol	Parameter	Min	Max	Units
f_{SCL}	SCL Clock frequency	-	500	kHz
t_{AA}	SCL low to SDA data valid	0.3	-	μ s
t_{buf}	time the bus must be kept free before a new transmissison	1.3	-	μ s
t_{HD-STA}	START condition hold time	0.6	-	μ s
t_{LOW}	Clock low period	1.3	-	μ s
t_{HIGH}	Clock high period	0.6	-	μ s
t_{SU-SDA}	START condition setup time	0.1	-	μ s
t_{HD-DAT}	Data input hold time	0	0.9	μ s
t_{SU-DAT}	Data input setup time	0.1	-	μ s
t_R	SDA & SCL rise time	-	0.3	μ s
t_F	SDA & SCL fall time	-	0.3	μ s
$t_{SU-STOP}$	Stop condition setup time	0.6	-	μ s
t_{DH}	Data out time	-	0.3	μ s

Figure 8. I²C bus timing diagram



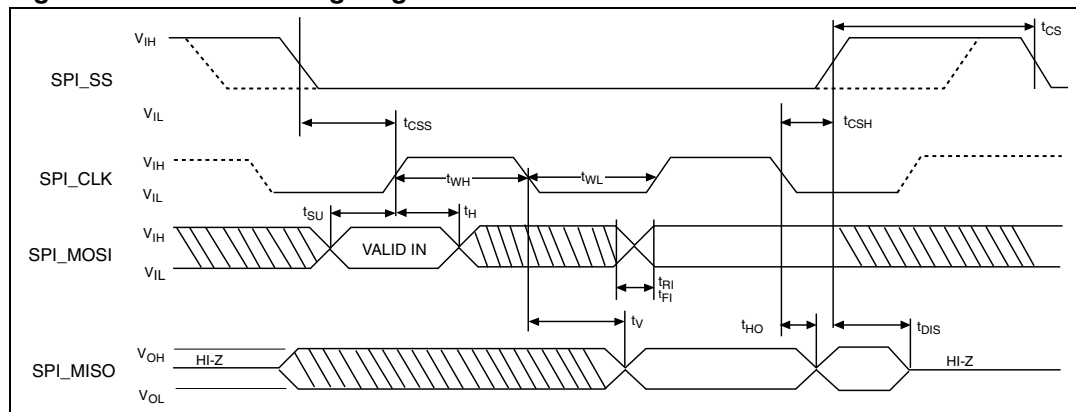
3.4.10 SPI interface

The following parameters apply to the serial bus communication when SPI protocol has been selected at start-up. For the other electrical characteristics of the pins, [Section 3.4.8](#) applies.

Table 16. SPI interface

Symbol	Parameter	Min	Max	Unit
f_{SCK}	Clock frequency	-	4.0	MHz
t_{SU}	Data setup time	25	-	ns
t_H	Data hold time	25	-	ns
t_{WH}	SCK high time	50	-	ns
t_{WL}	SCK low time	50	-	ns
t_{RI}	Input rise time	-	2	μ s
t_{FI}	Input fall time	-	2	μ s
t_V	Output valid from clock low	-	50	ns
t_{HO}	Output hold time	25	-	ns
t_{DIS}	Output disable time	-	25	ns
t_{CS}	CS high time	25	-	ns
t_{CSS}	CS setup time	25	-	ns
t_{CSH}	CS hold time	25	-	ns

Figure 9. SPI bus timing diagram



3.4.11 Warning

When the TDA7705 is not powered on, the internal ESD protection diodes pull-down keep the I²C/SPI lines connected to ground. This implies that the I²C/SPI bus connected to the TDA7705 may not be used to drive other devices when the TDA7705 is powered off.

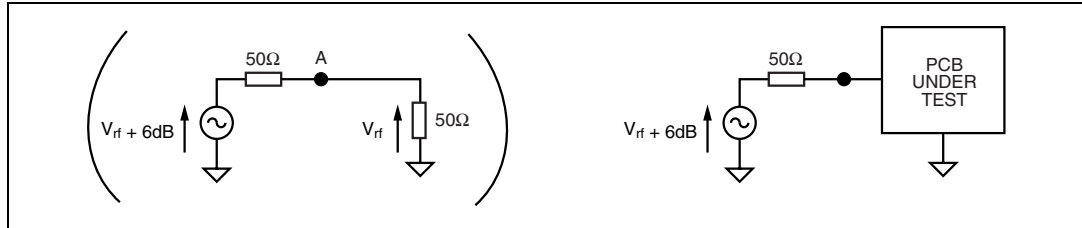
3.5 Overall system performance

All measurements obtained with application of [Figure 16](#) (FM tuned application / SPI control) unless otherwise specified.

3.5.1 FM overall system performance

Antenna level equivalence: $0 \text{ dB}\mu\text{V} = 1 \text{ }\mu\text{V}_{\text{rms}}$ (Antenna terminal voltage with $50 \text{ }\Omega$ source).

Figure 10. FM input set-up



Input level referred to signal generator loaded with $50 \text{ }\Omega$ (V_{rf} , node 'A'); no antenna dummy; AM input not connected. $F_{\text{rf}} = 98.1 \text{ MHz}$, $V_{\text{rf}} = 60 \text{ dB}\mu\text{V}$, mono modulation, $f_{\text{dev}} = 40 \text{ kHz}$, $f_{\text{audio}} = 1 \text{ kHz}$. De-emphasis = $50 \text{ }\mu\text{s}$. Unless otherwise specified

Table 17. FM overall system performance

Parameter	Test condition	Min	Typ	Max	Units
Tuning range FM Eu	(can be modified by the user) (automatic FE alignment available)	87.5	-	108	MHz
Tuning step FM Eu	(can be modified by the user)	-	100	-	kHz
Tuning range FM US	(can be modified by the user) (automatic FE alignment available)	87.5	-	107.9	MHz
Tuning step FM US	(can be modified by the user)	-	200	-	kHz
Tuning range FM Jp	(can be modified by the user) (automatic FE alignment available)	76	-	90	MHz
Tuning step FM Jp	(can be modified by the user)	-	100	-	kHz
Tuning range FM EEu	(can be modified by the user) (automatic FE alignment not available)	65	-	74	MHz
Tuning step FM EEu	(can be modified by the user)	-	100	-	kHz
Sensitivity	S/N = 26dB	-	-7	-4	$\text{dB}\mu\text{V}$
S/N	@ $10 \text{ dB}\mu\text{V}$, no highcut, DISS BW = #3	-	55	-	dB
Ultimate S/N	@ $60 \text{ dB}\mu\text{V}$, mono	72	75	-	dB
	@ $60 \text{ dB}\mu\text{V}$, Deviation = 75 kHz , mono	78	81	-	dB
	@ $60 \text{ dB}\mu\text{V}$, stereo	70	73	-	dB

Table 17. FM overall system performance (continued)

Parameter	Test condition	Min	Typ	Max	Units
Distortion	Deviation= 75 kHz	-	0.05	-	%
Max deviation	THD=3%	-	140	-	kHz
Adjacent channel selectivity	$\Delta F=100\text{kHz}$, SINAD=30dB desired 40 dB μV , dev=40kHz, 400Hz undesired. dev=40kHz, 1KHz	-	25	-	dB
Alternate channel selectivity	$\Delta F=200\text{ kHz}$, SINAD=30 dB desired 40 dB μV , dev=40kHz, 400 Hz undesired. dev=40kHz, 1kHz	-	63	-	dB
Max. strong signal interferer	Desired = 10 dB μV SINAD = 30 dB Undesired $\Delta F = 5\text{ MHz}$ dev = 40 kHz, 1 kHz	-	94	-	dB μV
Max. strong signal interferer no preselection (“wide-band”) application	Desired = 10 dB μV SINAD = 30 dB Undesired $\Delta F = 5\text{ MHz}$ dev = 40 kHz, 1 kHz	-	88	-	dB μV
3 signal performance ⁽¹⁾	Desired = 40 dB μV , dev = 40 kHz, 400 Hz, SINAD = 30 dB Undesired1 = $\pm 400\text{ kHz}$, dev = 40 kHz, 1 kHz Undesired2 = $\pm 800\text{ kHz}$, no mod	-	103	-	dB μV
	Desired = 40 dB μV , dev = 40 kHz, 400 Hz, SINAD = 30 dB Undesired1 = $\pm 1\text{ MHz}$, dev=40kHz, 1 kHz Undesired2= $\pm 2\text{MHz}$, no mod	-	106	-	dB μV
3 signal performance ⁽¹⁾ no preselection (“wide-band”) application	Desired = 40 dB μV , dev = 40 kHz, 400 Hz, SINAD = 30 dB Undesired1 = $\pm 400\text{ kHz}$, dev = 40 kHz, 1 kHz Undesired2 = $\pm 800\text{ kHz}$, no mod	-	103	-	dB μV
	Desired = 40 dB μV , dev=40kHz, 400 Hz, SINAD=30 dB Undesired1 = $\pm 1\text{ MHz}$, dev=40kHz, 1 kHz Undesired2= $\pm 2\text{MHz}$, no mod	-	104	-	dB μV
AM suppression	m =30 %	-	70	-	dB

Table 17. FM overall system performance (continued)

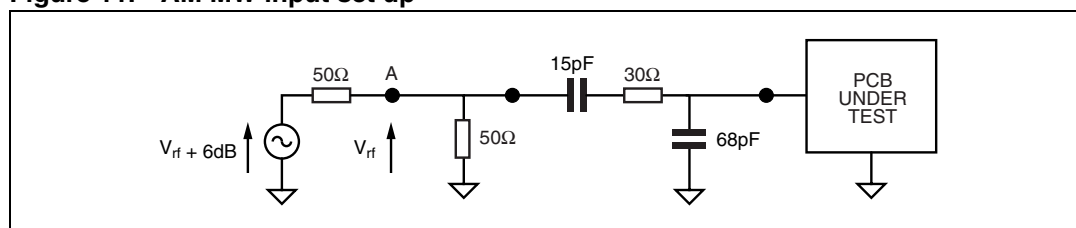
Parameter	Test condition	Min	Typ	Max	Units
Image rejection	-	-	80	-	dB
Logarithmic field strength indicator	@40 dBμV read "FM_Smeter_log"	-0.33 (equiv. to 37 dBμV)	-0.3	-0.27 (equiv. to 43 dBμV)	--

1. Signal levels referred to combiner output.

3.5.2 AM MW overall system performance

Antenna level equivalence: 0 dBμV = 1 μV_{rms}.

Figure 11. AM MW input set up



Level referred to SG output before antenna dummy (V_{rf} , node 'A'); capacitive dummy 15pF+68pF, FM input not connected. $F_{rf} = 999$ kHz (1000 kHz for US), $V_{rf} = 74$ dBμV, mod = 30%, $f_{audio} = 400$ Hz, unless otherwise specified.

Table 18. AM MW overall system performance

Parameter	Test condition	Min	Typ	Max	Units
Tuning range MW Eu/Jp	(can be modified by the user)	531	-	1629	kHz
Tuning step MW Eu/Jp	(can be modified by the user)	-	9	-	kHz
Tuning range MW US	(can be modified by the user)	530	-	1710	kHz
Tuning step MW US	(can be modified by the user)	-	10	-	kHz
Sensitivity	S/N = 20 dB	-	27	30	dBμV
Ultimate S/N	@ 80 dBμV	63	66	-	dB
AGC F.O.M.	Ref.=74 dBμV -10dB drop point	50	62	65	dB
Distortion	m = 80 %	-	0.1	-	%
Adjacent channel selectivity	$\Delta F = 9$ kHz, SINAD = 26 dB undesired. m=30%, 1 kHz	-	42	-	dB
Alternate channel selectivity	$\Delta F = 18$ kHz, SINAD=26 dB undesired. m=30%, 1kHz	-	50	-	dB

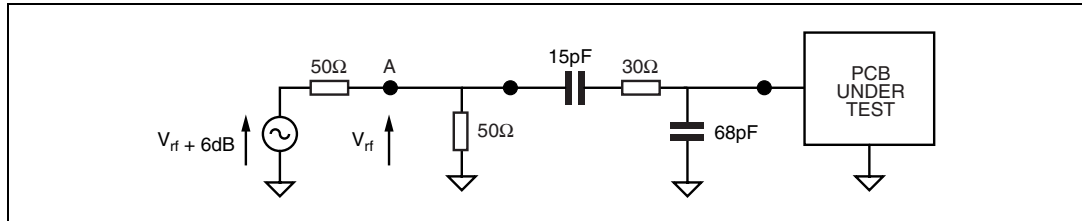
Table 18. AM MW overall system performance (continued)

Parameter	Test condition	Min	Typ	Max	Units
Strong signal interferer SNR	$\Delta F = \pm 40$ kHz desired = 40 dB μ V undesired = 100 dB μ V, m= 30%, 1 kHz	-	15	-	dB
	$\Delta F = \pm 400$ kHz desired=40 dB μ V undesired=100 dB μ V, m=30%, 1kHz	17	-	-	dB
Strong signal interferer suppression	$\Delta F = \pm 40$ kHz desired=40 dB μ V undesired=110 dB μ V, m=30%, 1 kHz	-	4	-	dB
	$\Delta F = \pm 400$ kHz desired=40 dB μ V undesired=110 dB μ V, m=30%, 1kHz	-	4	-	dB
Strong signal interferer cross-modulation	$\Delta F = \pm 40$ kHz desired=80 dB μ V undesired=100 dB μ V, m=30%, 1kHz	-	-	10	dB
	$\Delta F = \pm 400$ kHz desired=80 dB μ V undesired=100 dB μ V, m=30%, 1kHz	-	-	10	dB
Image rejection	-	-	80	-	dB
Logarithmic field strength indicator	@60 dB μ V read "AM_Smeter_log"	0.50 (equiv. to 57 dB μ V)	0.47	0.43 (equiv. to 63 dB μ V)	-

3.5.3 AM LW overall system performance

Antenna level equivalence: $0 \text{ dB}\mu\text{V} = 1 \mu\text{V}_{\text{rms}}$

Figure 12. AM LW input set-up



Level referred to SG output before antenna dummy (V_{rf} , node 'A'); capacitive dummy $15\text{pF}+68\text{pF}$; FM input not connected. $F_{\text{rf}} = 216 \text{ kHz}$, $V_{\text{rf}} = 74 \text{ dB}\mu\text{V}$, $\text{mod} = 30 \%$, $f_{\text{audio}} = 400 \text{ Hz}$, unless otherwise specified.

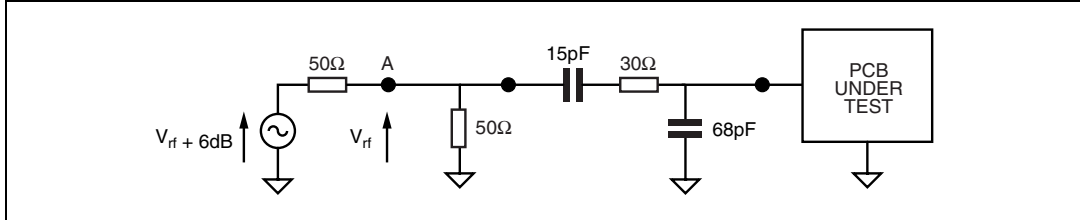
Table 19. AM LW overall system performance

Parameter	Test condition	Min	Typ	Max	Units
Tuning range LW	(can be modified by the user)	144	-	288	kHz
Tuning step LW	(can be modified by the user)	-	1	-	kHz
Sensitivity	S/N = 20 dB	-	30	33	$\text{dB}\mu\text{V}$
Ultimate S/N	@ 80 $\text{dB}\mu\text{V}$	63	66	-	dB
AGC F.O.M.	Ref. = 74 $\text{dB}\mu\text{V}$ -10dB drop point	50	62	65	dB
Distortion	m = 80 %	-	0.1	-	%
Image rejection	-	-	80	-	dB

3.5.4 AM SW overall system performance

Antenna level equivalence: $0\text{dB}\mu\text{V} = 1\mu\text{V}_{\text{rms}}$

Figure 13. AM SW input set-up



Level referred to SG output before antenna dummy (V_{rf} , node 'A'); capacitive dummy 15pF+68pF; FM input not connected. $F_{\text{rf}} = 6000\text{ kHz}$, $V_{\text{rf}} = 74\text{ dB}\mu\text{V}$, mod = 30 %, $f_{\text{audio}} = 400\text{ Hz}$, unless otherwise specified.

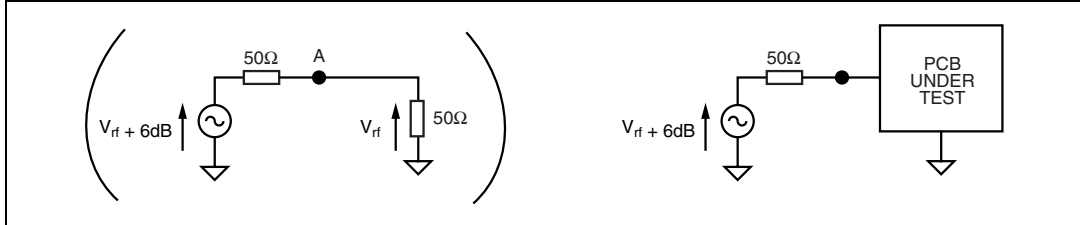
Table 20. AM SW overall system performance

Parameter	Test condition	Min	Typ	Max	Units
Tuning range LW	(can be modified by the user)	2300	-	30000	kHz
Tuning step LW	(can be modified by the user)	-	1	-	kHz
Sensitivity	S/N =20dB	-	29	32	dB μV
Ultimate S/N	@ 80 dB μV	63	66	-	dB
AGC F.O.M.	Ref.=74 dB μV -10dB drop point	50	62	65	dB
Distortion	m = 80 %	-	0.3	-	%
Image rejection	-	-	80	-	dB

3.5.5 WX overall system performance

Antenna level equivalence: $0 \text{ dB}\mu\text{V} = 1 \text{ }\mu\text{V}_{\text{rms}}$ (Antenna terminal voltage with 50Ω source).

Figure 14. WX input set-up



Input level referred to signal generator loaded with 50Ω (V_{rf} , node 'A'); no antenna dummy; AM input not connected. $F_{\text{rf}} = 162.475 \text{ MHz}$, $V_{\text{rf}} = 60 \text{ dB}\mu\text{V}$, mono modulation, $f_{\text{dev}} = 3 \text{ kHz}$, $f_{\text{audio}} = 400 \text{ Hz}$. De-emphasis = $75 \text{ }\mu\text{s}$. Application: WX using mixer input 2, in conjunction with FM narrow-band. Unless otherwise specified.

Table 21. WX overall system performance

Parameter	Test condition	Min	Typ	Max	Units
Sensitivity	S/N = 26 dB	-	-7	-	$\text{dB}\mu\text{V}$
Ultimate S/N	@ 60 $\text{dB}\mu\text{V}$	-	81	-	dB
Distortion	Deviation= 4.5 kHz	-	0.8	-	%
Max deviation	THD = 3 %	-	> 5 kHz	-	kHz
Adjacent channel Selectivity	$\Delta F = 25 \text{ kHz}$, SINAD = 30 dB desired 40 $\text{dB}\mu\text{V}$, dev = 2.0 kHz, 400 Hz undesired. dev = 3 kHz, 1 kHz	-	70	-	dB
Alternate Channel Selectivity	$\Delta F = 50 \text{ kHz}$, SINAD = 30 dB desired 40 $\text{dB}\mu\text{V}$, dev = 2.0 kHz, 400 Hz undesired. dev = 2.0 kHz, 1 kHz	-	70	-	dB

Table 23. Register 0x01

Register number																	Register definition									
MSB															LSB											
23	22	21	20	19	18	17	16	15	14	13	12	11	10	9	8	7		6	5	4	3	2	1	0		
																										FM mixer input selector
									0	1									1	0						input #1
									1	0									0	1						input #2
																										FM mixer gain
									0																	high
									1																	low
																										FM AGC time constant
			0																							normal
			1																							fast
																										FM AGC output mode
0	0																									normal
0	1																									constant 15 mA
1	0																									constant 1 mA

Table 24. Register 0x02

Register number																								Register definition		
MSB																						LSB				
23	22	21	20	19	18	17	16	15	14	13	12	11	10	9	8	7	6	5	4	3	2	1	0			
																										FM RF AGC threshold @ mixin
																							0	0	87 dBµV	
																							0	1	89 dBµV	
																							1	0	91 dBµV	
																							1	1	93 dBµV	
																										FM iF AGC threshold @ IFADC in
																							0	0	120 dBµV	
																							0	1	122 dBµV	
																							1	0	124 dBµV	
																										Tuning DAC enable
																			0							off
																		1								on
																										Tuning DAC programming⁽¹⁾
										0	0	0	0	0	0	0	0	0	0							0
										0	0	0	0	0	0	0	1									1
									
										1	1	1	1	1	1	1	0									510
										1	1	1	1	1	1	1										511

1. Normally handled by tuner drivers.

Table 25. Register 0x05

Register number																								Register definition	
MSB																							LSB		
23	22	21	20	19	18	17	16	15	14	13	12	11	10	9	8	7	6	5	4	3	2	1	0		
																								PLLTEST output status	
																								0	low
																								1	high

5 Weak signal processing

All the parameters in this section refer to the programmability of the DSP part of the device. The typical values are those set by default parameters (start-up without parametric change from main μ P); the max and the min values refer to the programmability range. The values are referred to the typical application ([Figure 16: Example of FM tuned \(narrow-band\) application / SPI control](#)). Wherever the possible values are a discrete set, all the possible programmable values are displayed.

5.1 FM IF-processing

5.1.1 Dynamic channel selection filter (DISS)

Table 26. Dynamic channel selection filter (DISS)
(discrete set)

Symbol	Parameter	Test condition	Min	Typ	Max	Units
DISS BW	IF filter #6	response: - 3dB	-	± 150	-	kHz
	IF filter #5		-	± 110	-	kHz
	IF filter #4		-	± 80	-	kHz
	IF filter #3		-	± 60	-	kHz
	IF filter #2		-	± 45	-	kHz
	IF filter #1		-	± 35	-	kHz
	IF filter #0		-	± 25	-	kHz

5.1.2 Soft mute

Table 27. Soft mute
(continuous set)

Symbol	Parameter	Test condition	Min	Typ	Max	Units
SMsp	Start point vs. field strength	audio atten = 1 dB read "FM_softmute" no adjacent channel present	0	6	20	dB μ V
SMep	End point vs. field strength	audio atten = SMd + 1 dB read "FM_softmute" no adjacent channel present	-6	-6	10	dB μ V
SMd	Depth	-	-30	-15	0	dB
SMtauatt	Field strength LPF cut-off frequency for soft mute activation	-	0.1	100	4000	Hz
SMtaurel	Field strength LPF cut-off frequency for soft mute release	-	0.1	1	4000	Hz

5.1.3 Adjacent channel mute

Table 28. Adjacent channel mute
(continuous set)

Symbol	Parameter	Test condition	Min	Typ	Max	Units
ACMd	Depth		SMd	0	0	dB

5.1.4 Stereo blend-

Table 29. Stereo blend
(continuous set)

Symbol	Parameter	Test condition	Min	Typ	Max	Units
MaxSep	Maximum stereo separation	field strength = 80 dB μ V, pilot deviation = 6.75 kHz	0	40	50	dB
SBFSsp	Start point vs. field strength	separation = MaxSep - 1 dB no multipath present	20	50	60	dB μ V
SBFSep	End point vs. field strength	separation = 1 dB no multipath present	20	30	60	dB μ V
SBFStM2S	Field strength-related transition time from mono to stereo	V_{rf} step-like variation from 20 dB μ V to 80 dB μ V	0.001	3	20	s
SBFStS2M	Field strength-related transition time from stereo to mono	V_{rf} step-like variation from 80 dB μ V to 20 dB μ V	0.001	0.5	20	s
SBMPsp	Start point vs. multipath	separation = MaxSep - 1 dB equivalent 19 kHz AM modulation depth; field strength = 80 dB μ V	5	10	80	%
SBMPep	End point vs. multipath	separation = 1 dB equivalent 19 kHz AM modulation depth; field strength = 80 dB μ V	5	30	80	%
SBMPtM2S	Multipath -related transition time from mono to stereo	V_{rf} step-like variation from 20 dB μ V to 80 dB μ V	0.001	1	20	s
SBMPtS2M	Multipath -related transition time from stereo to mono	V_{rf} step-like variation from 80 dB μ V to 20 dB μ V	0.001	0.001	20	s
Pil ThrM2S	Pilot detector stereo threshold	Threshold on pilot tone deviation for mono-stereo transition	0.8	2.74	7	kHz
Pil ThrHyst	Pilot detector threshold hysteresis	Difference in pil. det. deviation threshold for stereo to mono transition compared to PilThrM2S	-	0.01	-	kHz

5.1.5 High cut control

Table 30. High cut control
(continuous set)

Symbol	Parameter	Test condition	Min	Typ	Max	Units
HCFSsp	Start point vs. field strength	minimum RF level for widest HC filter (filter # 7) no multipath present	0	50	50	dB μ V
HCFSep	End point vs. field strength	maximum RF level for narrowest HC filter (filter # 0) no multipath present	0	30	40	dB μ V
HCFS _t W2N	Field strength-related transition time from wide to narrow band	V_{rf} step-like variation from 60 dB μ V to 10 dB μ V	(1)			-
HCFS _t N2W	Field strength-related transition time from narrow to wide band	V_{rf} step-like variation from 0 dB μ V to 60 dB μ V	(1)	14	100	s
HCMPsp	Start point vs. multipath	minimum RF level for widest HC filter (filter # 7) equivalent 19 kHz AM modulation depth; field strength = 80 dB μ V	5	10	150 ⁽²⁾	%
HCMPep	End point vs. multipath	maximum RF level for narrowest HC filter (filter # 0) equivalent 19 kHz AM modulation depth; field strength = 80 dB μ V	5	30	150 ⁽²⁾	%
HCMP _t N2W	Multipath -related transition time from narrow to wide band	V_{rf} step-like variation from 20 dB μ V to 80 dB μ V	0.001	0.001	20	s
HCMP _t W2N	Multipath -related transition time from wide to narrow	V_{rf} step-like variation from 80 dB μ V to 20 dB μ V	0.001	0.001	20	s
HCmaxBW	Maximum cut-off frequency of high cut filter bank	Filter #7, -3 dB response frequency, input signal with pre-emphasis	HCmin BW	14	18	kHz
HCminBW	Minimum cut-off frequency of high cut filter bank	Filter #0, -3 dB response frequency, input signal with pre-emphasis	0.1	3	HCmaxBW	kHz
HCnumFilt	Number of discrete HC filters	-	-	8 ⁽³⁾	-	-

1. Depends only on field strength filter time constant.

2. Means that 100% equivalent 19 kHz AM modulation depth will not achieve full band narrowing.

3. Intermediate filters (#6 - #1) cut-off frequencies exponentially spaced between HCmaxBW and HCminBW.

Table 31. De-emphasis filter
(continuous set)

Symbol	Parameter	Test condition	Min	Typ	Max	Units
DEtc	De-emphasis time constant 1	-	-	50	-	µs
	De-emphasis time constant 2	-	-	75	-	

5.1.6 Stereo decoder

Table 32. Stereo decoder

Symbol	Parameter	Test condition	Min	Typ	Max	Units
PilSup	Pilot signal suppression	Pilot 9%, 19 kHz, ref=40 kHz	-	60	-	dB
SubcSup	Subcarrier suppression	f = 38 kHz	-	70	-	dB
		f = 57 kHz	-	70	-	dB
		f = 76 kHz	-	80	-	dB

5.2 AM IF-processing

5.2.1 Channel selection filter

Table 33. Channel selection filter

Symbol	Parameter	Test condition	Min	Typ	Max	Units
CSF BW	Channel selection filter BW	response: - 3dB	-	±3.7	-	kHz

5.2.2 Soft mute

Table 34. Soft mute
(continuous set)

Symbol	Parameter	Test condition	Min	Typ	Max	Units
SMsp	Start point vs. field strength	audio atten = 1 dB read "FM_softmute" no adjacent channel present	0	25	40	dBµV
SMep	End point vs. field strength	audio atten = SMD + 1 dB read "FM_softmute" no adjacent channel present	0	0	30	dBµV
SMD	Depth	-	-40	-24	0	dB
SMtauatt	Transition time for field strength-dependent soft mute activation	-	0.001	0.1	10	s
SMtaurel	Transition time for field strength-dependent soft mute release	-	0.001	3	10	s

5.2.3 High cut control

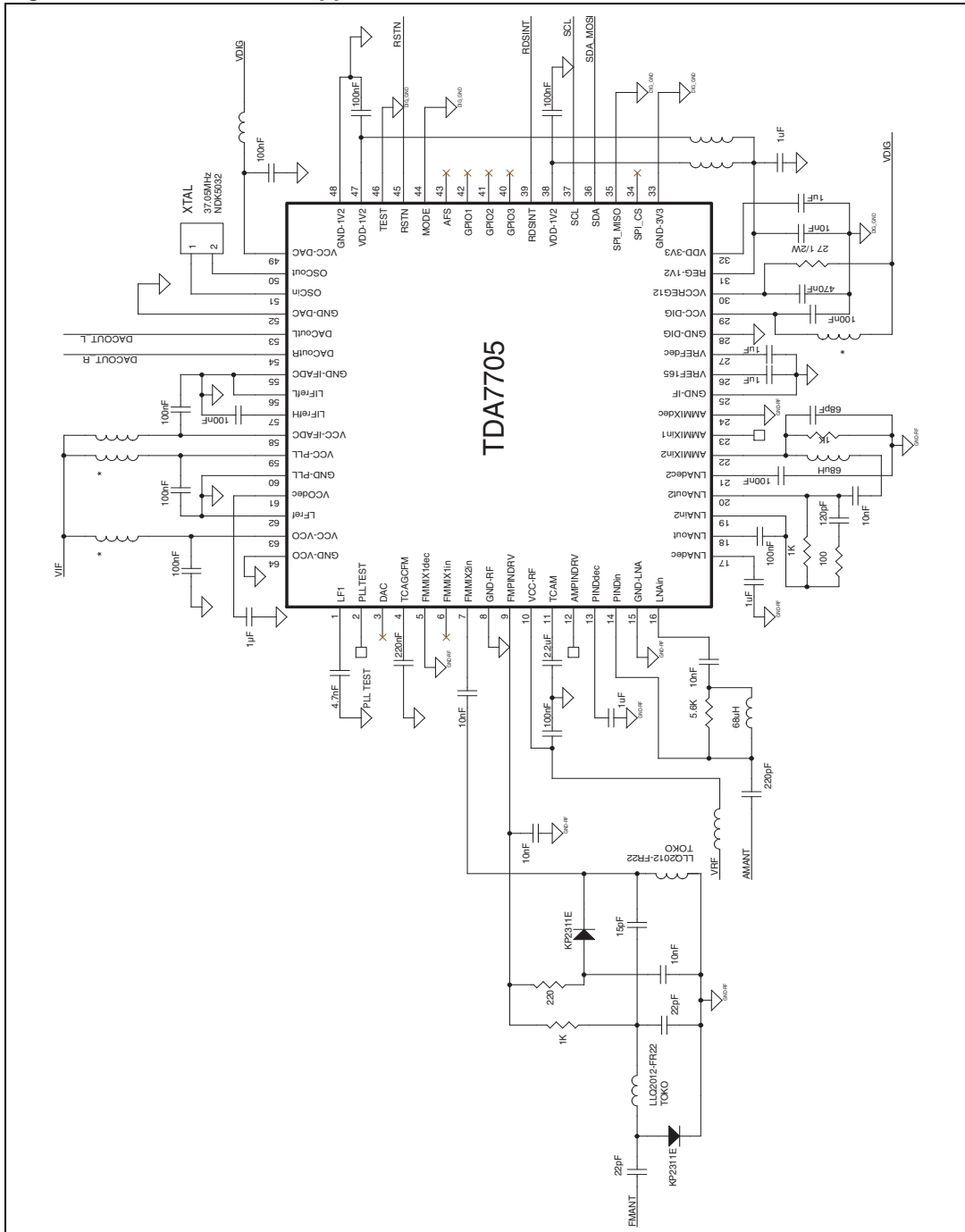
Table 35. High cut control
(continuous set)

Symbol	Parameter	Test condition	Min	Typ	Max	Units
HCFSsp	Start point vs. field strength	minimum RF level for widest HC filter (filter # 7) no multipath present	0	40	50	dB μ V
HCFSep	End point vs. field strength	maximum RF level for narrowest HC filter (filter # 0) no multipath present	0	30	50	dB μ V
HCFS _{tW2N}	Field strength-related transition time from wide to narrow band	V_{rf} step-like variation from 60 dB μ V to 10 dB μ V	0.001	0.2	20	s
HCFS _{tN2W}	Field strength-related transition time from narrow to wide band	V_{rf} step-like variation from 0 dB μ V to 60 dB μ V	0.001	10	20	s
HCmaxBW	Maximum cut-off frequency of high cut filter bank	Filter #7, -3 dB response frequency, input signal with pre-emphasis	HCmin BW	14	18	kHz
HCminBW	Minimum cut-off frequency of high cut filter bank	Filter #0, -3 dB response frequency, input signal with pre-emphasis	1	3	HCmaxBW	kHz
HCnumFilt	Number of discrete HC filters		-	8	-	-

6 Application schematics

6.1 Basic application schematic

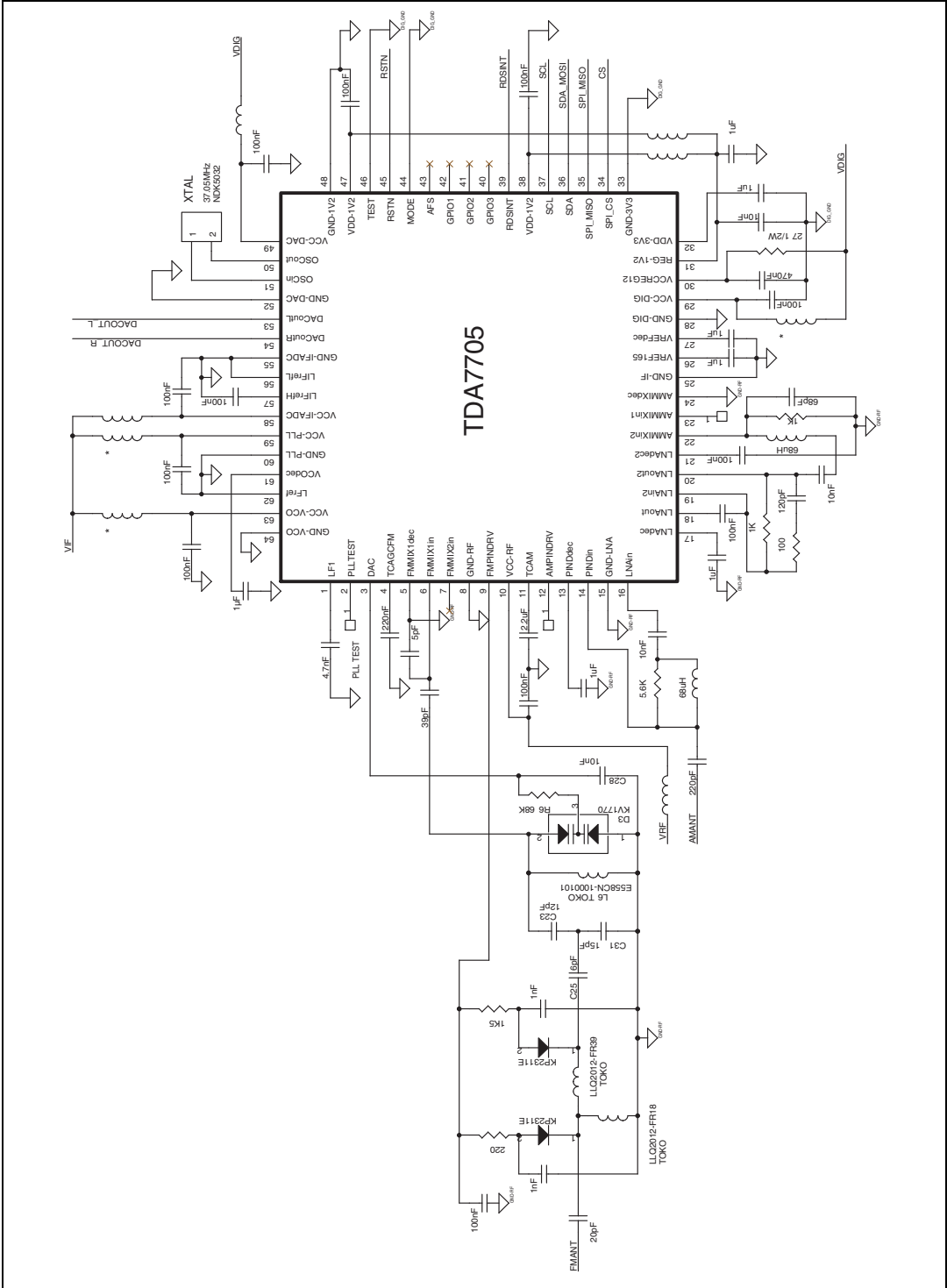
Figure 15. FM wide-band application / I²C control



1. Note: components marked with a * are being considered for replacement with resistors, pending optimization test results.

6.2 Application schematic example with SPI-bus and tuned preselection

Figure 16. Example of FM tuned (narrow-band) application / SPI control



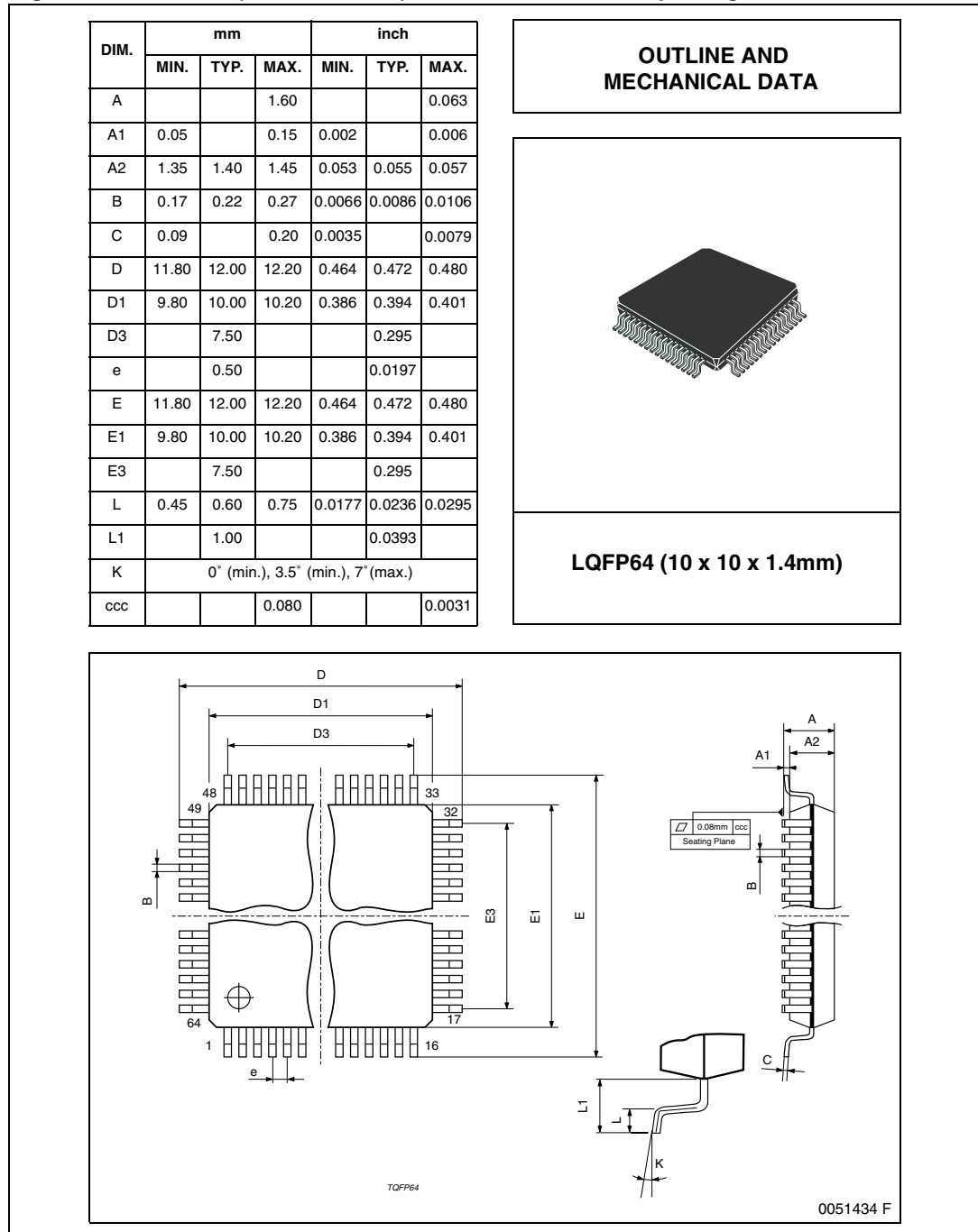
- 1. Note: components marked with a * are being considered for replacement with resistors, pending optimization test results.

7 Package information

In order to meet environmental requirements, ST offers these devices in different grades of ECOPACK® packages, depending on their level of environmental compliance. ECOPACK® specifications, grade definitions and product status are available at: www.st.com.

ECOPACK® is an ST trademark.

Figure 17. LQFP64 (10x10x1.4mm) mechanical data and package dimensions



8 Revision history

Table 36. Document revision history

Date	Revision	Changes
31-Jul-2007	1	Initial release.
01-Aug-2008	2	Full update datasheet.
08-May-2009	3	Document status promoted from preliminary data to datasheet. Updated Table 1: Device summary on page 1 . Updated Section 3: Electrical specifications on page 16 . Updated Section 4: Front-end processing on page 30 . Updated Section 5: Weak signal processing on page 33 . Updated Section 6: Application schematics on page 38 .
09-Jun-2009	4	Updated Table 5: Thermal data on page 16 . Updated the value of "Adjacent channel selectivity" parameter in the Table 17: FM overall system performance .
01-Jul-2009	5	Updated Figure 17: LQFP64 (10x10x1.4mm) mechanical data and package dimensions on page 40 .
13-Jan-2010	6	Modified Table 1: Device summary on page 1 Modified Table 5: Thermal data on page 16 . Modified Section 3.5.5: WX overall system performance on page 29 . Modified Section 7: Package information on page 40 .
29-Jan-2010	7	Minor text changes in Section 2.13 . Modified min. value of "t _{HD-DAT} " parameter in Table 15: I²C interface on page 21 .
22-Mar-2010	8	Added Section 3.4.11: Warning on page 22 .
17-Sep-2013	9	Updated Disclaimer

Please Read Carefully:

Information in this document is provided solely in connection with ST products. STMicroelectronics NV and its subsidiaries ("ST") reserve the right to make changes, corrections, modifications or improvements, to this document, and the products and services described herein at any time, without notice.

All ST products are sold pursuant to ST's terms and conditions of sale.

Purchasers are solely responsible for the choice, selection and use of the ST products and services described herein, and ST assumes no liability whatsoever relating to the choice, selection or use of the ST products and services described herein.

No license, express or implied, by estoppel or otherwise, to any intellectual property rights is granted under this document. If any part of this document refers to any third party products or services it shall not be deemed a license grant by ST for the use of such third party products or services, or any intellectual property contained therein or considered as a warranty covering the use in any manner whatsoever of such third party products or services or any intellectual property contained therein.

UNLESS OTHERWISE SET FORTH IN ST'S TERMS AND CONDITIONS OF SALE ST DISCLAIMS ANY EXPRESS OR IMPLIED WARRANTY WITH RESPECT TO THE USE AND/OR SALE OF ST PRODUCTS INCLUDING WITHOUT LIMITATION IMPLIED WARRANTIES OF MERCHANTABILITY, FITNESS FOR A PARTICULAR PURPOSE (AND THEIR EQUIVALENTS UNDER THE LAWS OF ANY JURISDICTION), OR INFRINGEMENT OF ANY PATENT, COPYRIGHT OR OTHER INTELLECTUAL PROPERTY RIGHT.

ST PRODUCTS ARE NOT DESIGNED OR AUTHORIZED FOR USE IN: (A) SAFETY CRITICAL APPLICATIONS SUCH AS LIFE SUPPORTING, ACTIVE IMPLANTED DEVICES OR SYSTEMS WITH PRODUCT FUNCTIONAL SAFETY REQUIREMENTS; (B) AERONAUTIC APPLICATIONS; (C) AUTOMOTIVE APPLICATIONS OR ENVIRONMENTS, AND/OR (D) AEROSPACE APPLICATIONS OR ENVIRONMENTS. WHERE ST PRODUCTS ARE NOT DESIGNED FOR SUCH USE, THE PURCHASER SHALL USE PRODUCTS AT PURCHASER'S SOLE RISK, EVEN IF ST HAS BEEN INFORMED IN WRITING OF SUCH USAGE, UNLESS A PRODUCT IS EXPRESSLY DESIGNATED BY ST AS BEING INTENDED FOR "AUTOMOTIVE, AUTOMOTIVE SAFETY OR MEDICAL" INDUSTRY DOMAINS ACCORDING TO ST PRODUCT DESIGN SPECIFICATIONS. PRODUCTS FORMALLY ESCC, QML OR JAN QUALIFIED ARE DEEMED SUITABLE FOR USE IN AEROSPACE BY THE CORRESPONDING GOVERNMENTAL AGENCY.

Resale of ST products with provisions different from the statements and/or technical features set forth in this document shall immediately void any warranty granted by ST for the ST product or service described herein and shall not create or extend in any manner whatsoever, any liability of ST.

ST and the ST logo are trademarks or registered trademarks of ST in various countries.

Information in this document supersedes and replaces all information previously supplied.

The ST logo is a registered trademark of STMicroelectronics. All other names are the property of their respective owners.

© 2013 STMicroelectronics - All rights reserved

STMicroelectronics group of companies

Australia - Belgium - Brazil - Canada - China - Czech Republic - Finland - France - Germany - Hong Kong - India - Israel - Italy - Japan - Malaysia - Malta - Morocco - Philippines - Singapore - Spain - Sweden - Switzerland - United Kingdom - United States of America

www.st.com

Mouser Electronics

Authorized Distributor

Click to View Pricing, Inventory, Delivery & Lifecycle Information:

[STMicroelectronics:](#)

[TDA7705](#) [TDA7705TR](#)