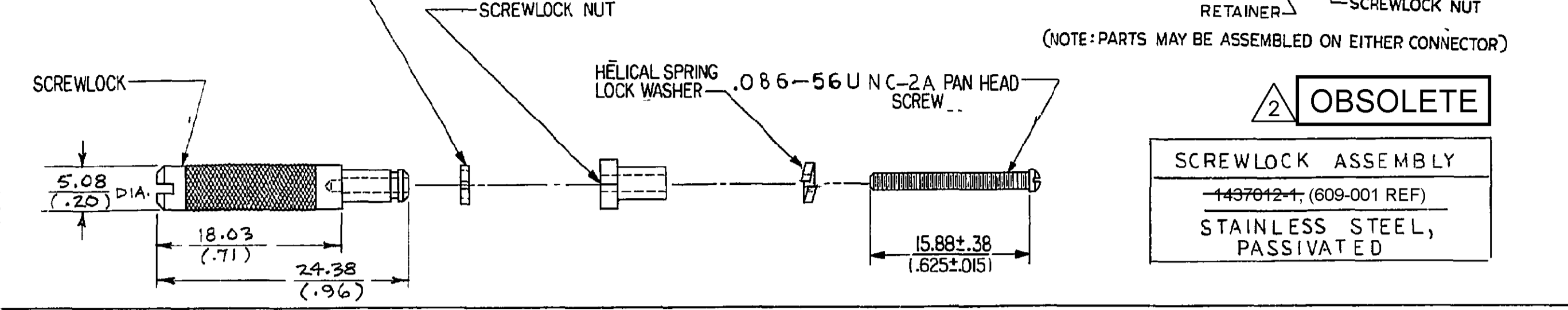
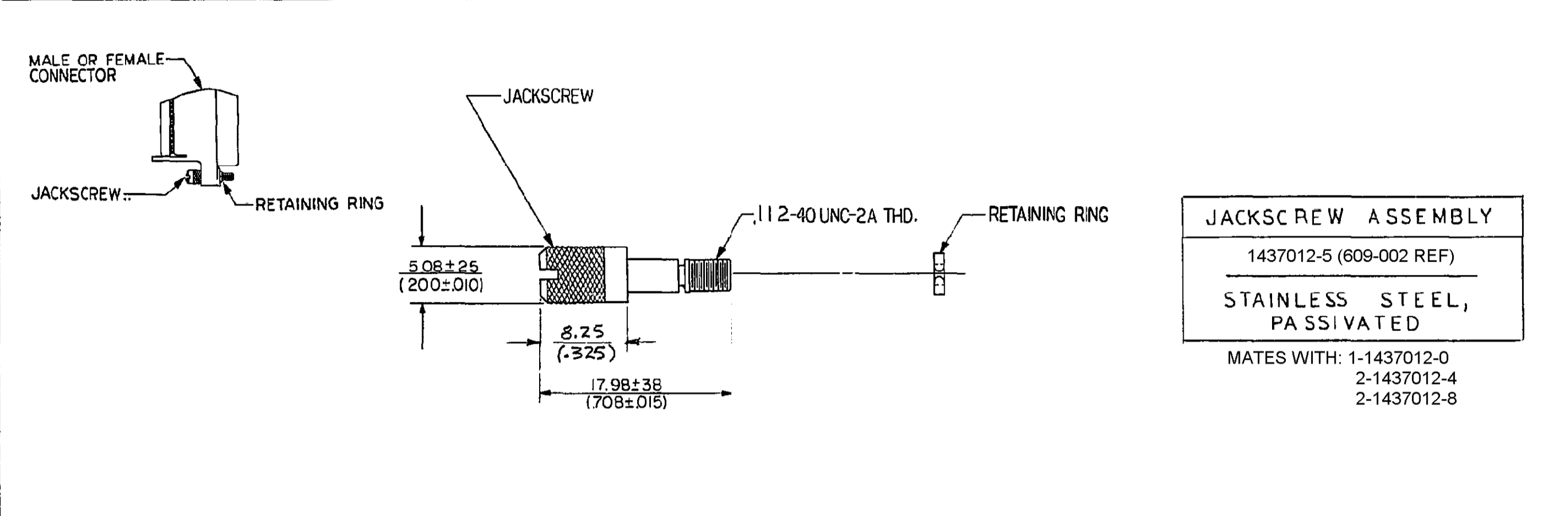


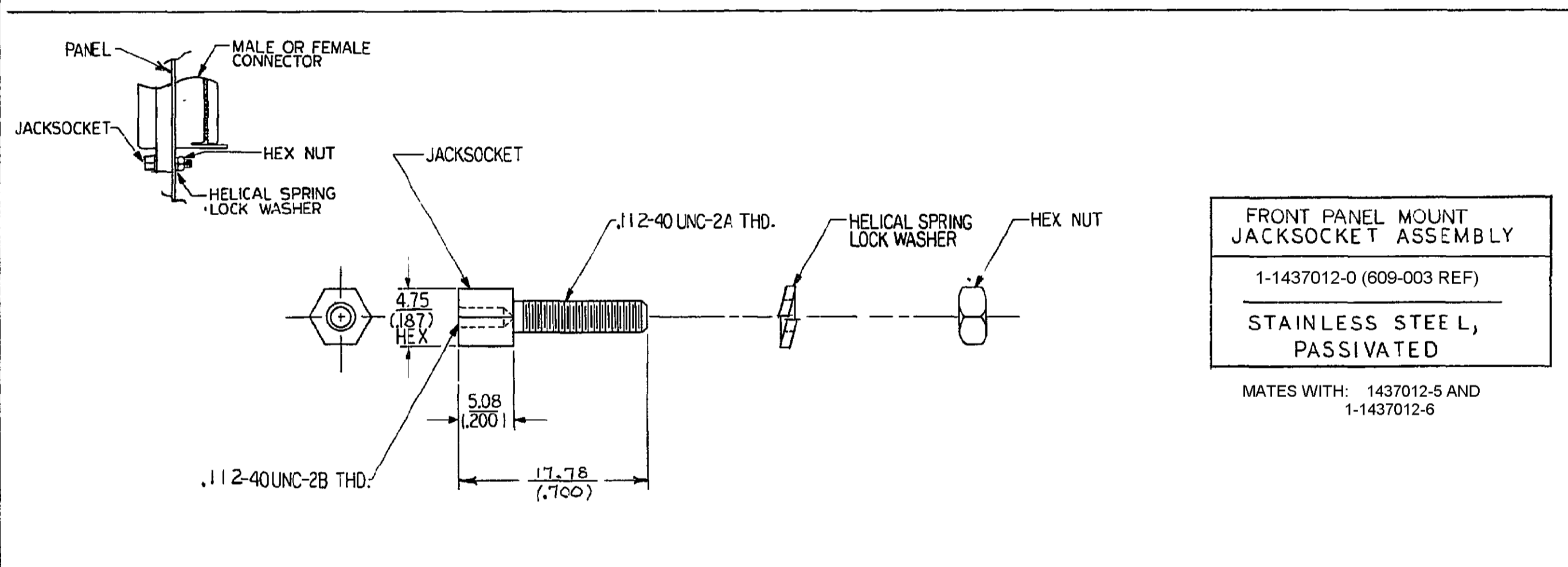
This document involves proprietary design rights of T & B/Analog Corporation, and all design, manufacturing, reproduction, use and sale rights regarding the same are expressly reserved. It is submitted for a specific purpose and the recipient, by accepting this document, assumes custody and control and agrees to take reasonable precautions to prevent this document from being copied and reproduced in whole or in part, nor its contents revealed in any manner or to any person except to meet the purpose for which it was delivered and (b) that any special features peculiar to this design will not be incorporated in other projects without the expressed permission of T & B/Analog Corporation.



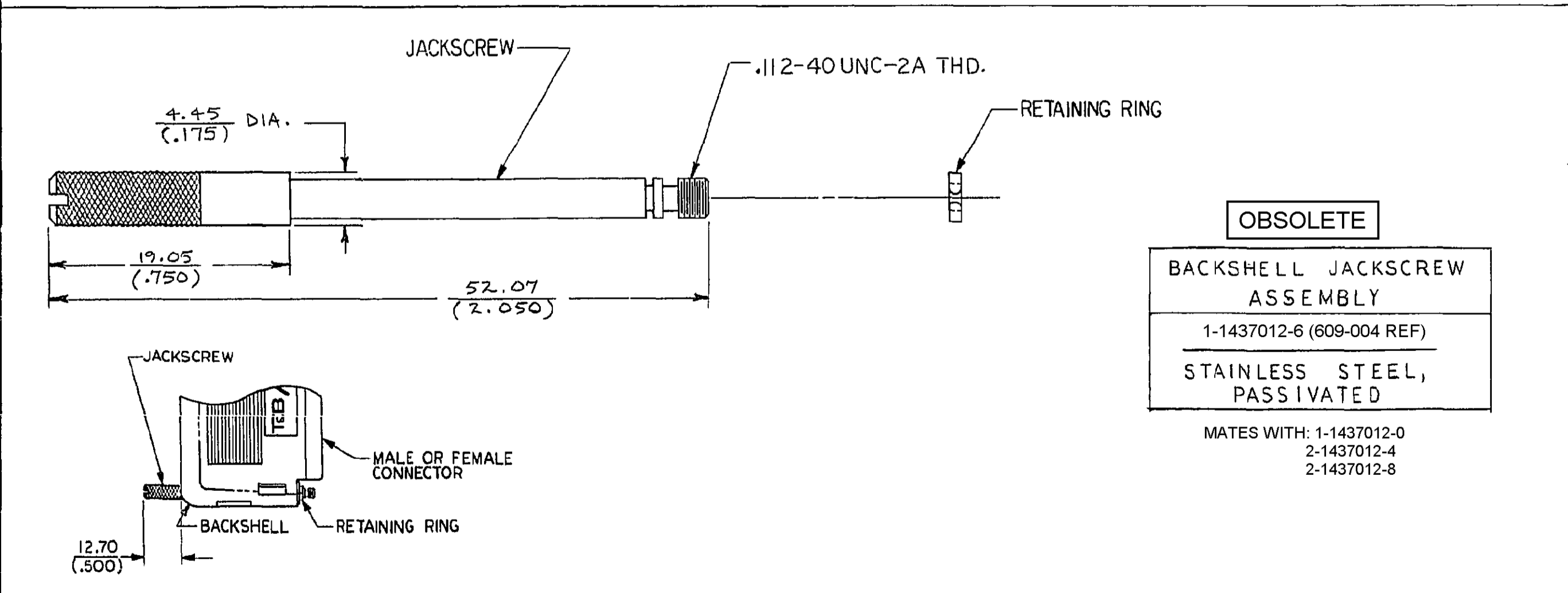
2 OBSOLETE
SCREWLOCK ASSEMBLY
 1-1437012-1 (609-001 REF)
 STAINLESS STEEL, PASSIVATED



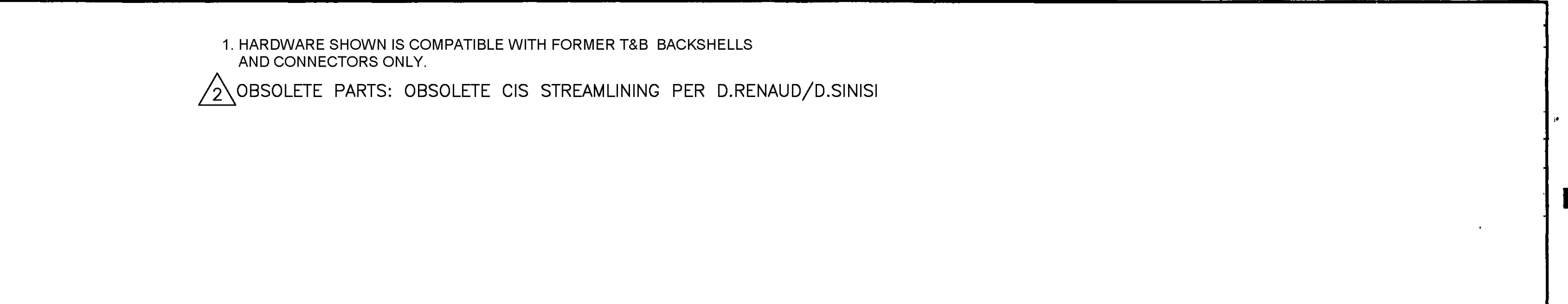
JACKSCREW ASSEMBLY
 1437012-5 (609-002 REF)
 STAINLESS STEEL, PASSIVATED
 MATES WITH: 1-1437012-0
 2-1437012-4
 2-1437012-8



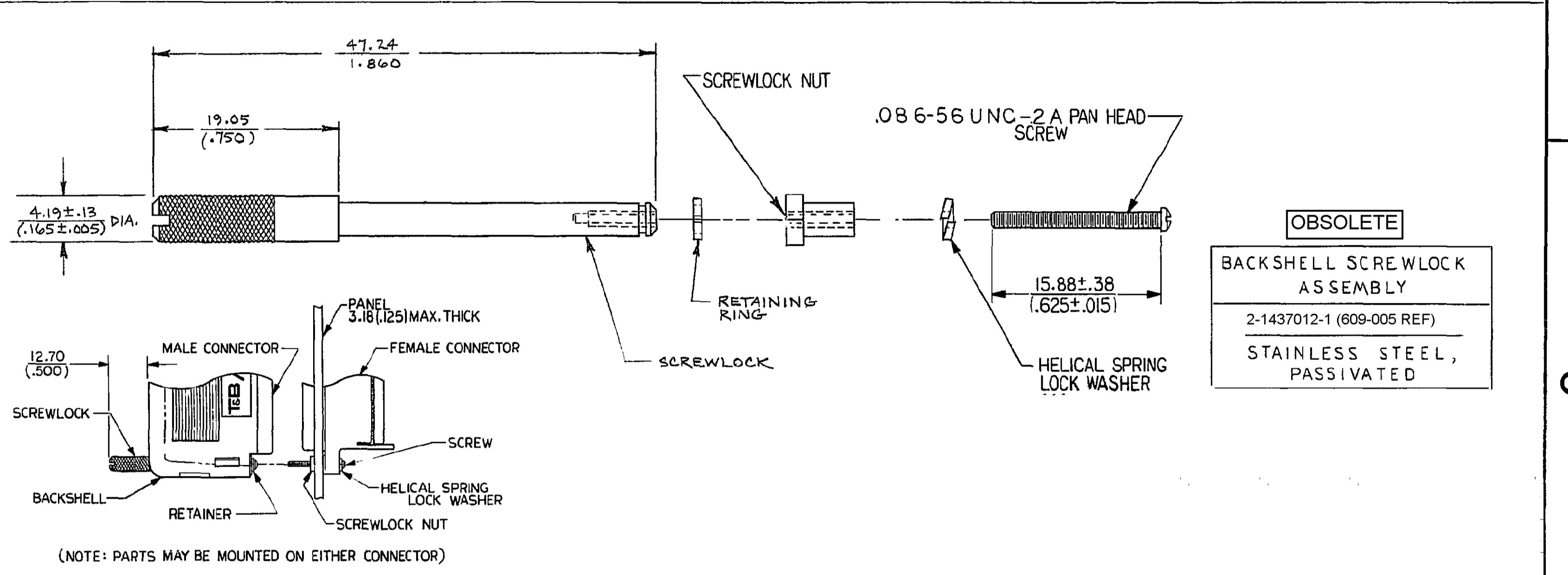
FRONT PANEL MOUNT JACKSOCKET ASSEMBLY
 1-1437012-0 (609-003 REF)
 STAINLESS STEEL, PASSIVATED
 MATES WITH: 1437012-5 AND 1-1437012-6



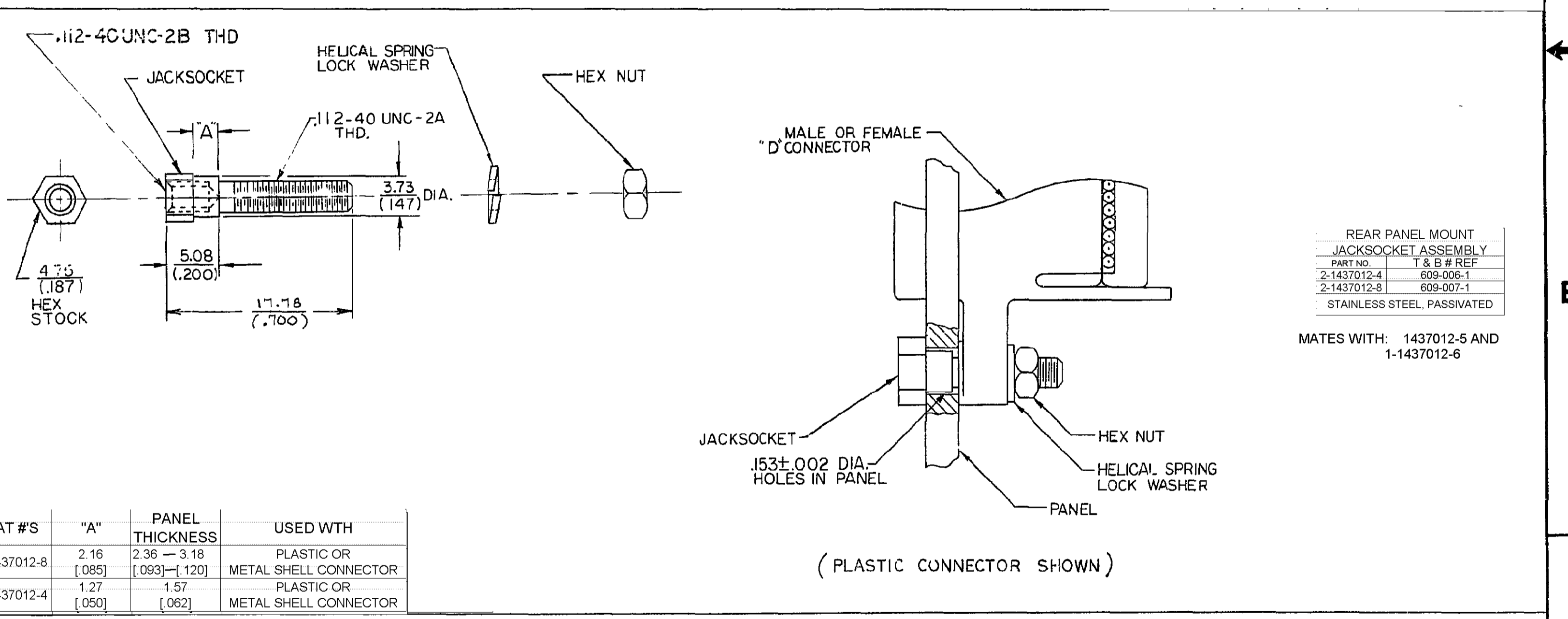
OBSOLETE
BACKSHELL JACKSCREW ASSEMBLY
 1-1437012-6 (609-004 REF)
 STAINLESS STEEL, PASSIVATED
 MATES WITH: 1-1437012-0
 2-1437012-4
 2-1437012-8



OBSOLETE
BACKSHELL SCREWLOCK ASSEMBLY
 2-1437012-1 (609-005 REF)
 STAINLESS STEEL, PASSIVATED



REAR PANEL MOUNT JACKSOCKET ASSEMBLY
 PART NO. T & B REF
 2-1437012-4 609-006-1
 2-1437012-8 609-007-1
 STAINLESS STEEL, PASSIVATED
 MATES WITH: 1437012-5 AND 1-1437012-6



CAT #S	"A"	PANEL THICKNESS	USED WITH
2-1437012-8	2.16 [.085]	2.36 - 3.18 [.093] - [1.20]	PLASTIC OR METAL SHELL CONNECTOR
2-1437012-4	1.27 [.050]	1.57 [.062]	PLASTIC OR METAL SHELL CONNECTOR

FIND NO.	QTY REQD	CODE IDENT	PART NO.	DESCRIPTION	ZONE
LIST OF MATERIALS					
STE TE Connectivity					
TITLE D CONNECTOR MOUNTING ACCESSORY HARDWARE					
SIZE CODE IDENT NO. NUMBER REV. D 15912 1437012-1 P					
SCALE N T S Customer Drawing SHEET OF					

UNLESS OTHERWISE SPECIFIED, DIMENSIONS ARE IN M.MS.(INCHES) TOLERANCES - FRACTIONS = ANGLES = DECIMALS XX (.XXX) ± X (.XX) ±

THIRD ANGLE PROJECTION

REVISION RECORD: P REV, ECO-11-004835, 21MAR11, DATE, RKN, HMR, DWN, APVD

Mouser Electronics

Authorized Distributor

Click to View Pricing, Inventory, Delivery & Lifecycle Information:

[TE Connectivity:](#)

[609-003](#) [609-002](#)