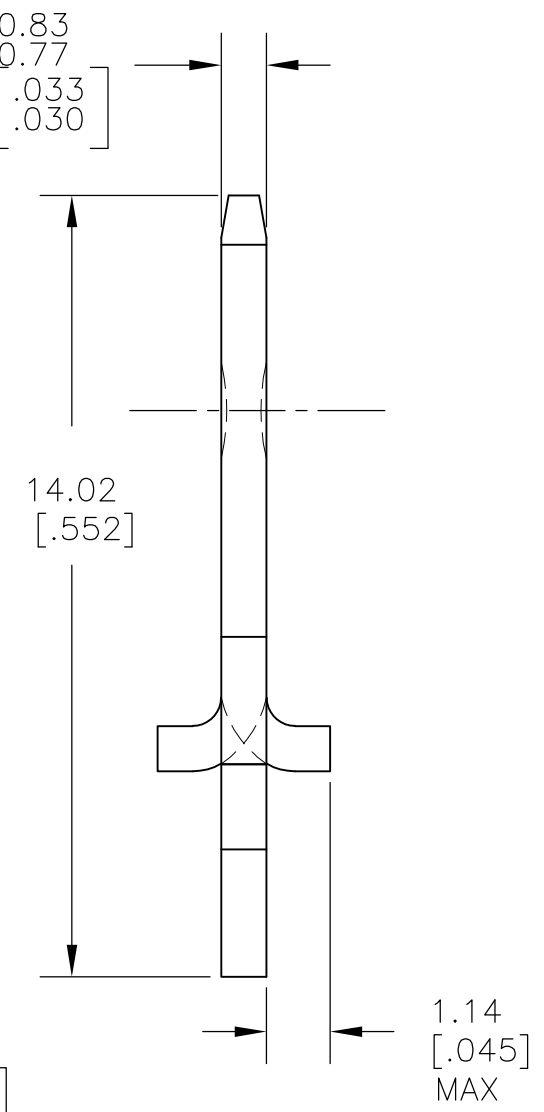
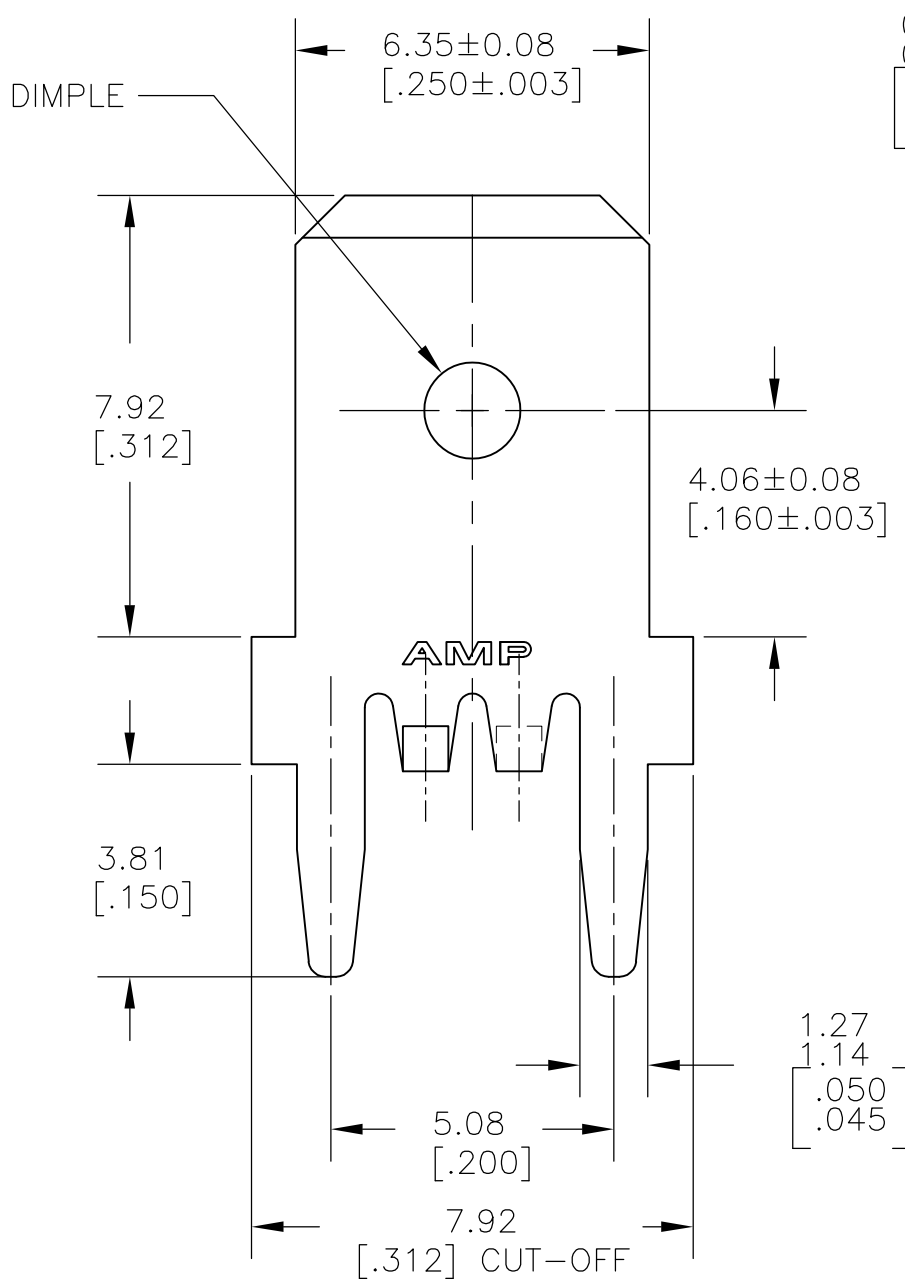
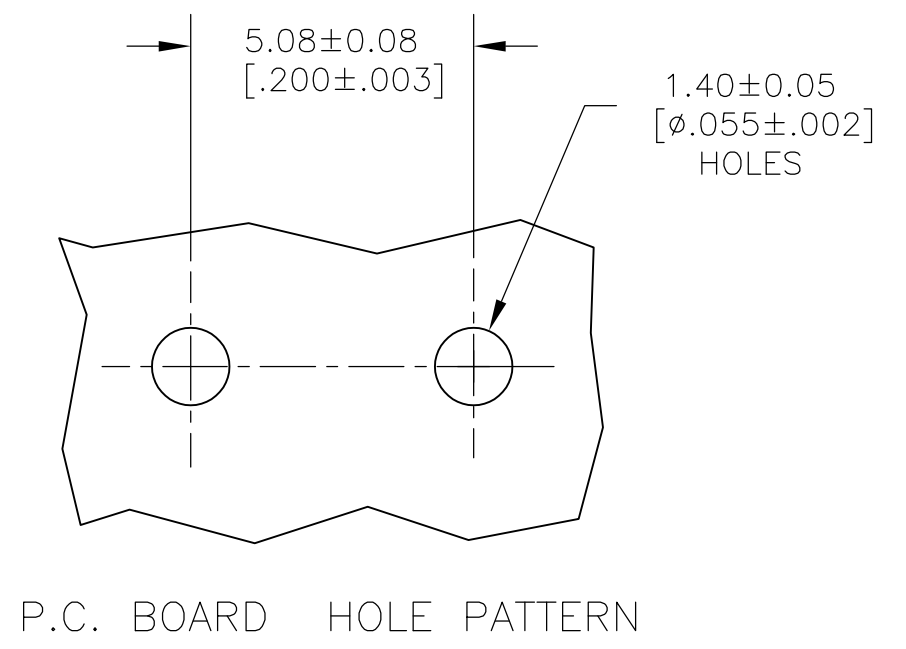


LOC	DIST	REVISIONS					
AF	50	P	LTR	DESCRIPTION	DATE	DWN	APVD
		H		REVISED PER ECR-13-001204	24JUN13	KH	PD



- 1 CONTINUOUS STRIP ON REELS.
- 2 TIN PLATE 0.00381 [.000150] MIN OVER 0.00127 [.000050] MIN THK NICKEL.



63862-1  
PART NO.

THIS DRAWING IS A CONTROLLED DOCUMENT.		DWN	JR RUTH	20FEB01	TE Connectivity NAME TAB, FASTON, P.C.BOARD 6.35 [.250]		
DIMENSIONS: mm[INCHES]		CHK	MS FEHER	20FEB01			
TOLERANCES UNLESS OTHERWISE SPECIFIED:		APVD	N DEIBERT	20FEB01			
0 PLC ± - 1 PLC ± - 2 PLC ± 0.25 [.010] 3 PLC ± - 4 PLC ± - ANGLES ± -		PRODUCT SPEC	-	-			
MATERIAL	BRASS	FINISH			APPLICATION SPEC	114-2115	
		WEIGHT	-		SIZE	A3	
		CUSTOMER DRAWING		SCALE	8:1	CAGE CODE	00779
				DRAWING NO	C-63862	RESTRICTED TO	-
				SHEET	1 OF 1	REV	H

# Mouser Electronics

Authorized Distributor

Click to View Pricing, Inventory, Delivery & Lifecycle Information:

[TE Connectivity:](#)

[63862-1 \(MOUSER REEL\)](#)