



SERIES TS SWITCHES

SNAP ACTION SWITCHES - SUB-MINIATURE



SPECIFICATIONS

Contact Rating:	0.3A @ 6VDC
Electrical Life:	50,000 cycles typical
Mechanical Life:	100,000 cycles
Insulation Resistance:	100M ohms minimum @ 100VDC
Dielectric Strength:	250 VAC for 60 seconds
Operating Temperature:	-25C to 85C
Storage Temperature:	-30C to 85C

FEATURES & BENEFITS

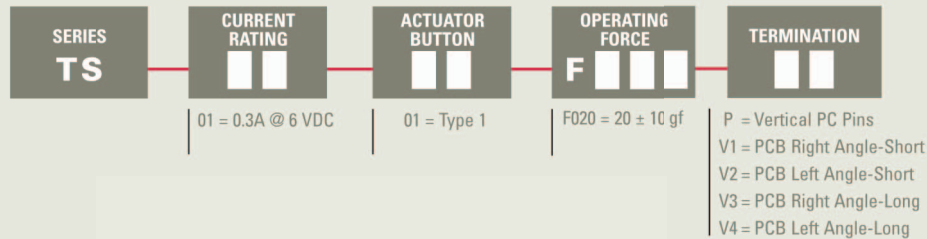
- ▶ Sub miniature snap action switch
- ▶ Vertical and right angle pc pin termination

APPLICATIONS/MARKETS

- ▶ Security/detection
- ▶ Appliance
- ▶ Instrumentation
- ▶ Power tools



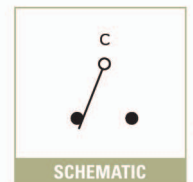
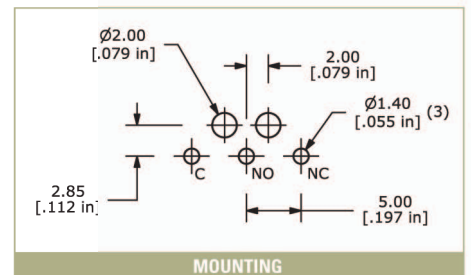
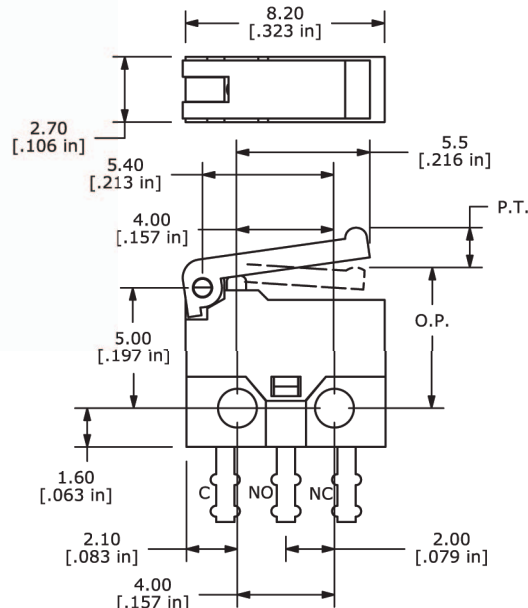
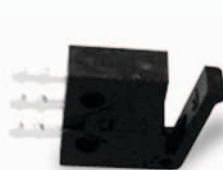
HOW TO ORDER



Example Ordering Number

TS-01-01-F020-V1

Specifications subject to change without notice.





SERIES TS SWITCHES

SNAP ACTION SWITCHES - SUB-MINIATURE

TACT SWITCHES

NAVIGATION SWITCHES

PUSHBUTTON SWITCHES

TOGGLE SWITCHES

ROCKER SWITCHES

SLIDE SWITCHES

SNAP-ACTION SWITCHES

DIP SWITCHES

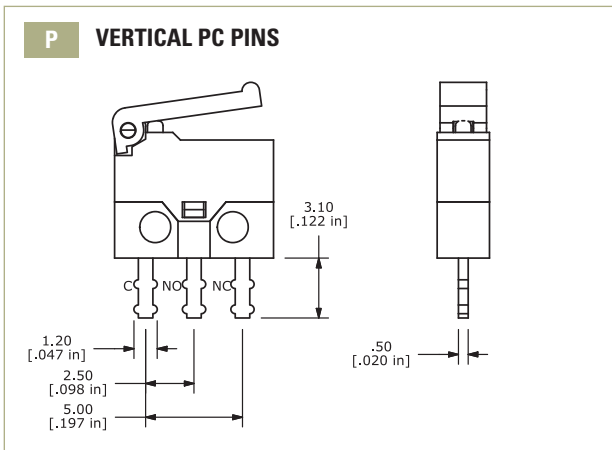
KEYLOCK SWITCHES

ROTARY SWITCHES

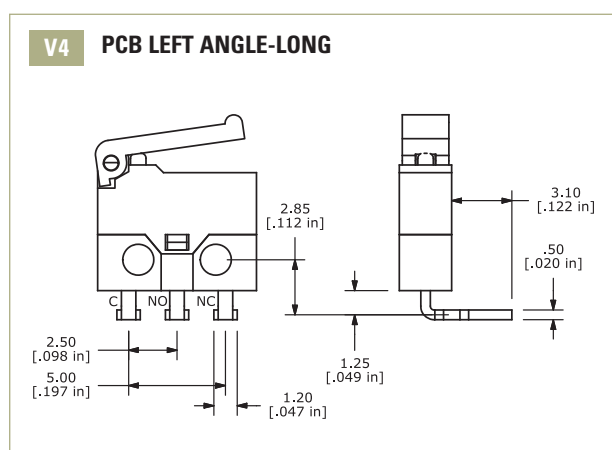
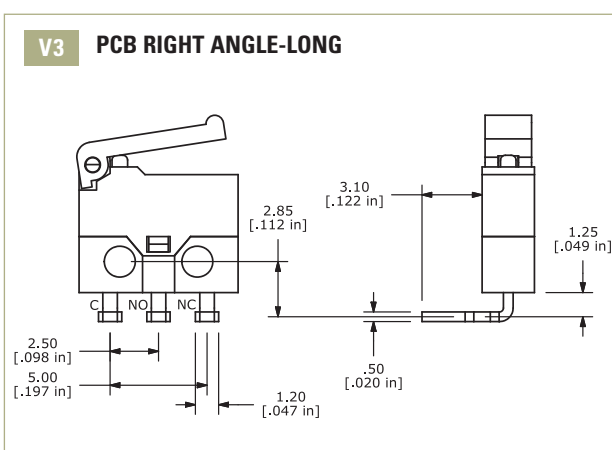
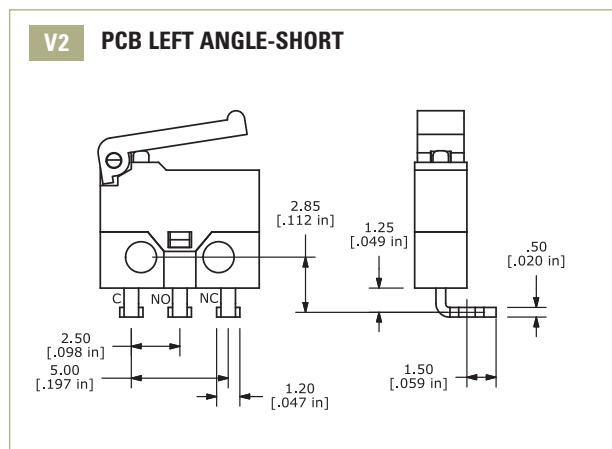
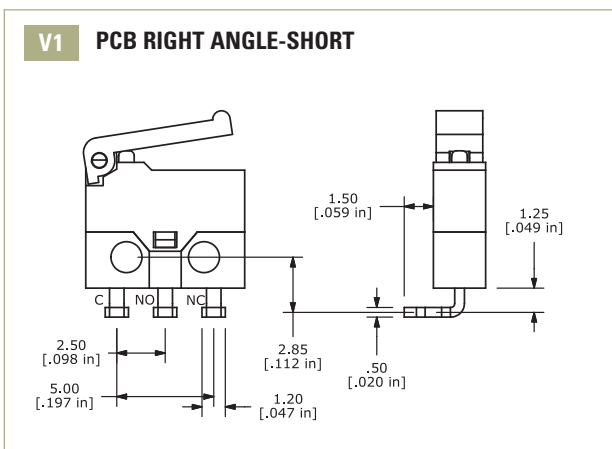
DETECTOR SWITCHES

CAP OPTIONS

TERMINATION OPTIONS



ACTUATOR BUTTON	
Actuator	Operating Point
Type 1	6.7 ± 0.5



Mouser Electronics

Authorized Distributor

Click to View Pricing, Inventory, Delivery & Lifecycle Information:

E-Switch:

[TS0101F030V3](#) [TS0101F030V4](#) [TS10100F070P](#) [TS0101F030V1](#) [TS0101F030V2](#) [TS0101F020P](#) [TS0101F020V3](#)
[TS0101F020V4](#) [TS12M-7.3K3.8-160-TR](#) [TS35M9-4.3-160-TR](#) [TS0101F020V2](#) [TS12M-8.5-160-TR](#) [TS0101F020V1](#)
[TS35CM8-2.5CG-160-TR](#) [TS12M-4.3-160-B](#) [TS35M9-4.3-160-B](#) [TS12M-7.3K3.8-160-B](#)