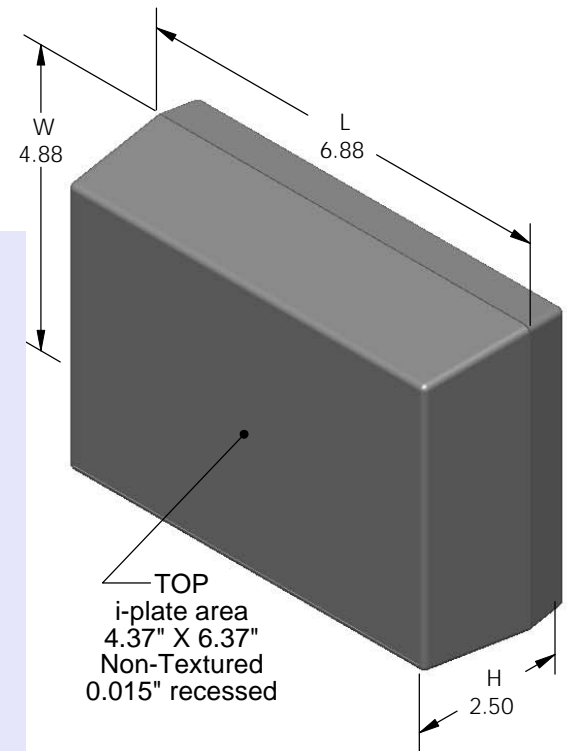
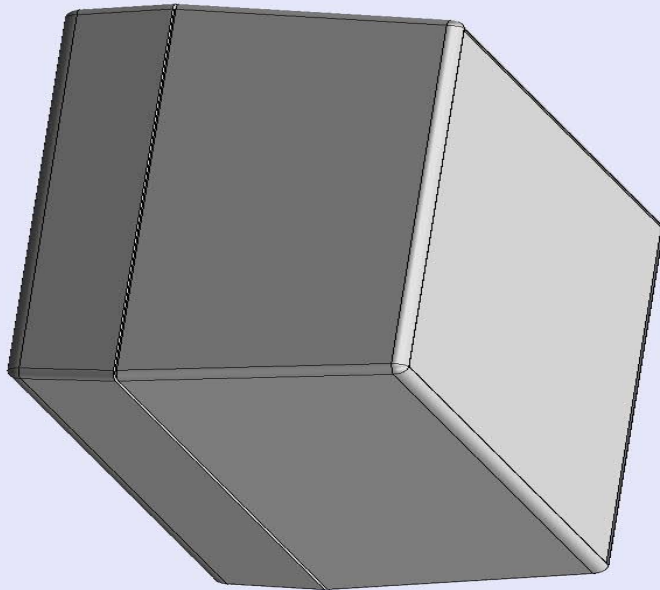


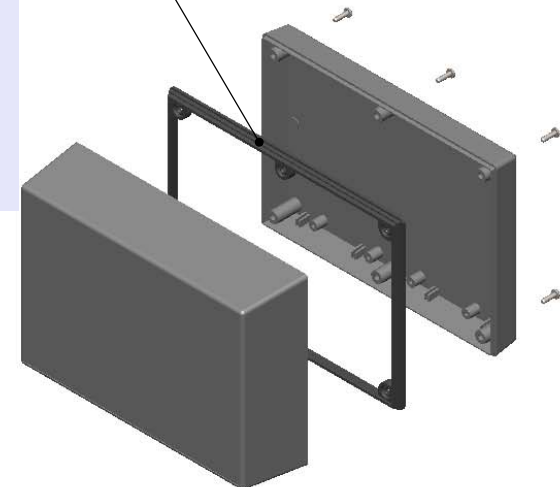
SERPAC173i (exploded isometric)

Electronic Enclosures

- Click on image to show toolbar. Use ▶ || to Play/Pause Animation.
- Left click and drag on image to move 3D model.



Water proofing gasket
PS17 optional.
see note #2



- a) Zoom in & out with center wheel.
- b) Pause at any moment to view and or print views.
- c) Change the views to ortho and section views if needed from the Views pull down menu.
- d) Explore options included in the tool bar like: Views, Transparency of model, Lighting type, etc.

Notes: Enclosure weight .48 lbs / 217 gm

- 1) Enclosure meets or exceeds IP40 and NEMA 1
- 2) When used with PS17 the enclosure meets or exceeds IP 66 and NEMA 4X, 12 and 13 MIL-STD-810G 506.5
- 3) Circuit Board drawings can be download at:

TOP:

<http://www.serpac.com/Accessories/CircuitBoard/drawings/X73.pdf>

BOTTOM:

<http://www.serpac.com/Accessories/CircuitBoard/drawings/370-470.pdf>

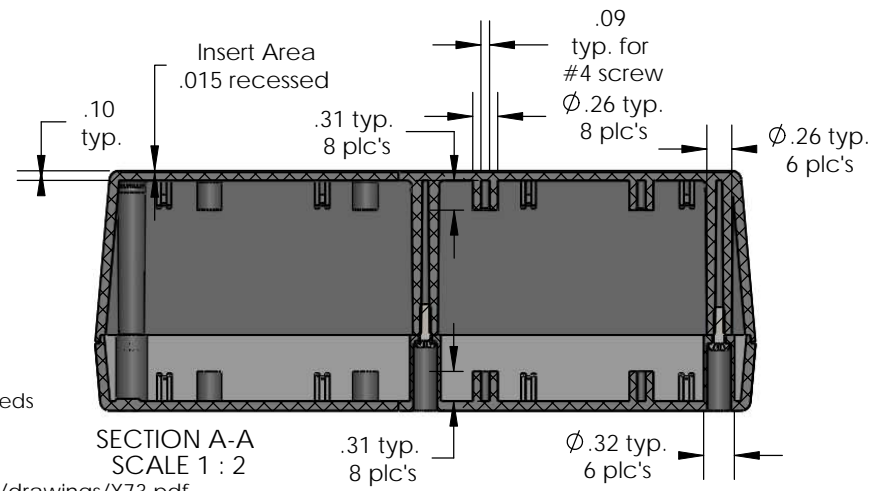
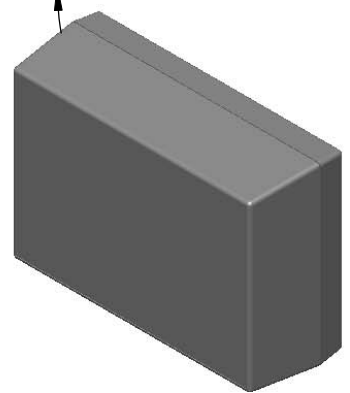
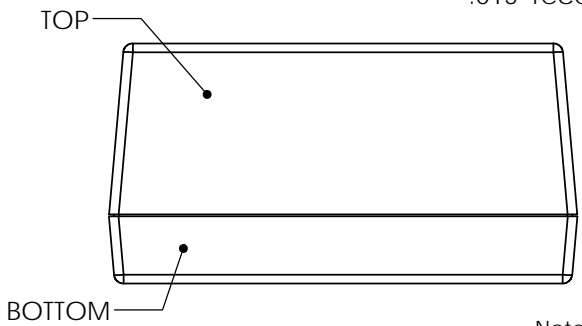
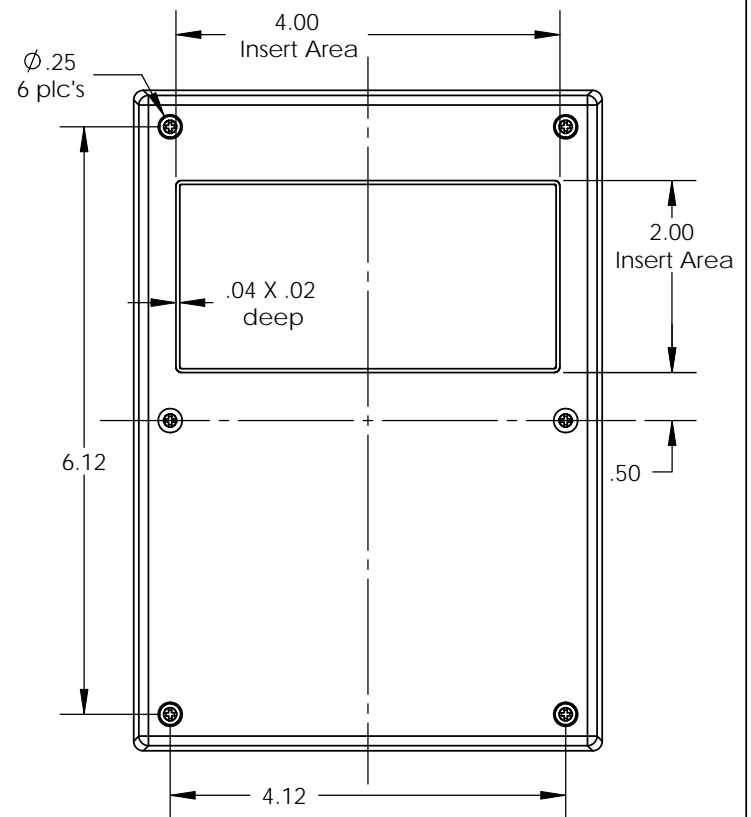
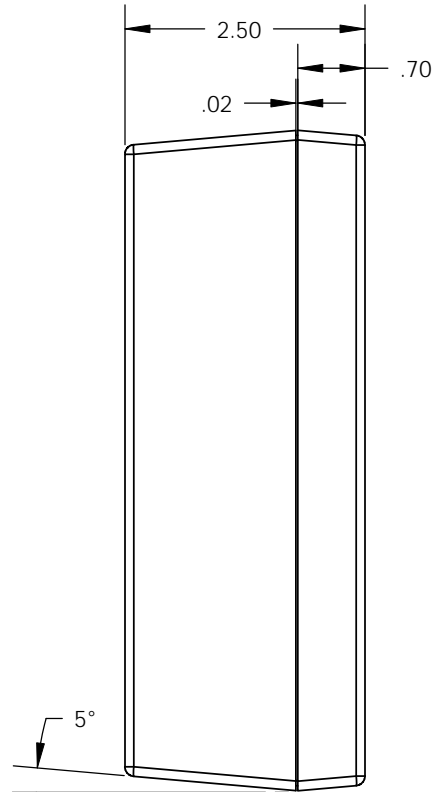
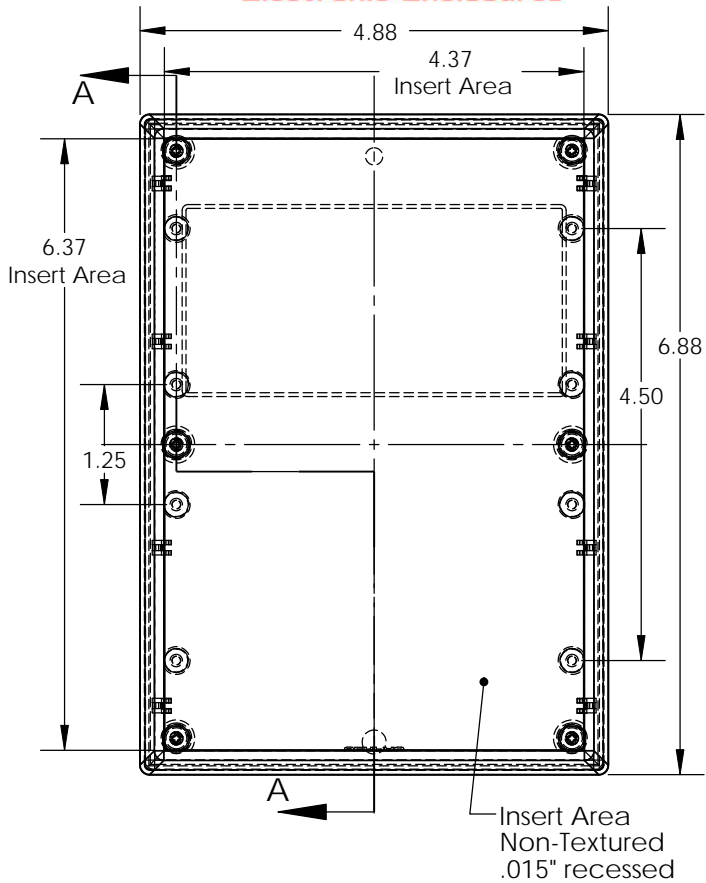
- 4) All components are RoHS Compliant.

PART NO.	DESCRIPTION (Included)	ACCESSORIES (Optional)	
7-3-i	TOP	PART NO.	DESCRIPTION
17	BOTTOM	50	Non-skid Feet
6005	#4X3/8" Self tapping (6)	PS17	Perimeter Seal
		370	Prototype grid board (bottom)
		470	Prototype clad board (bottom)

ALL DIMENSIONS ARE ± .010" 3/23/10 (1 of 2)
619 Commercial Ave. Covina, CA 91723
Ph. (626) 331-0517 Fx. (626) 331-8584 serpac.com

SERPAC 173i (user print)

Electronic Enclosures



Notes: Enclosure weight .48 lbs / 217 gm
 1) Enclosure meets or exceeds IP40 and NEMA 1
 2) When used with PS17 the enclosure meets or exceeds IP 66 and NEMA 4X, 12 and 13 MIL-STD-810G 506.5
 3) Circuit Board drawings can be download at:
 TOP: <http://www.serpac.com/Accessories/CircuitBoard/drawings/X73.pdf>
 BOTTOM: <http://www.serpac.com/Accessories/CircuitBoard/drawings/370-470.pdf>
 4) All components are RoHS Compliant.

PART NO.	DESCRIPTION (Included)	ACCESSORIES (Optional)
7-3-i	TOP	PART NO. DESCRIPTION
17	BOTTOM	50 Non-skid Feet
6005	#4X3/8" self tapping (6)	PS17 Perimeter Seal
		370 Prototype grid board (bottom)
		470 Prototype clad board (bottom)

ALL DIMENSIONS ARE ± .010" 3/23/10 (2 of 2)
 619 Commercial Ave. Covina, CA 91723
 Ph. (626) 331-0517 Fx. (626) 331-8584 www.serpac.com

Mouser Electronics

Authorized Distributor

Click to View Pricing, Inventory, Delivery & Lifecycle Information:

[SERPAC:](#)

[173-I-G](#) [173-I-A](#) [173I-B](#)