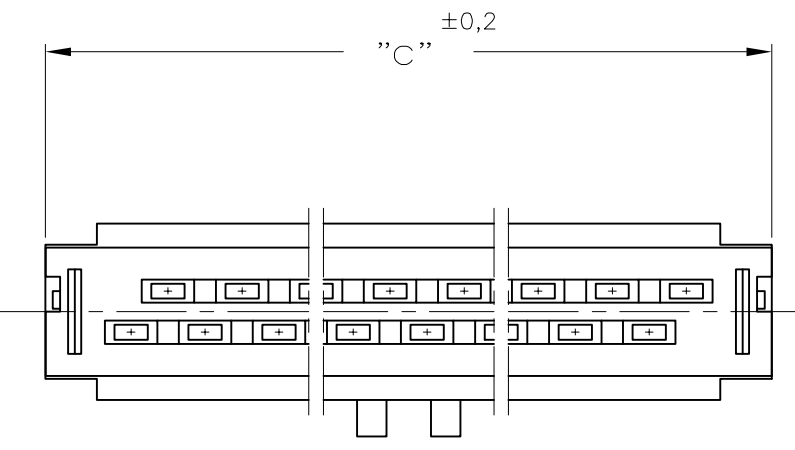
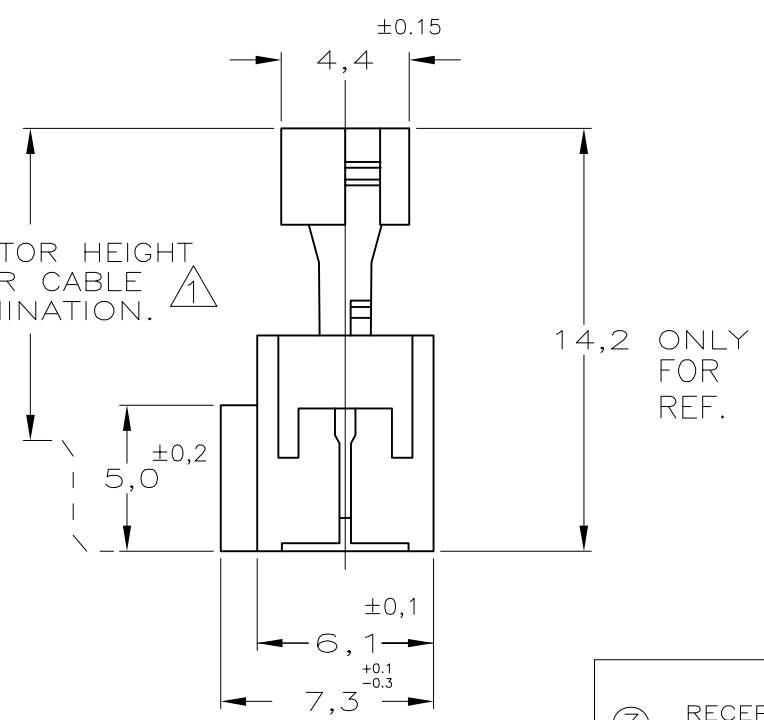
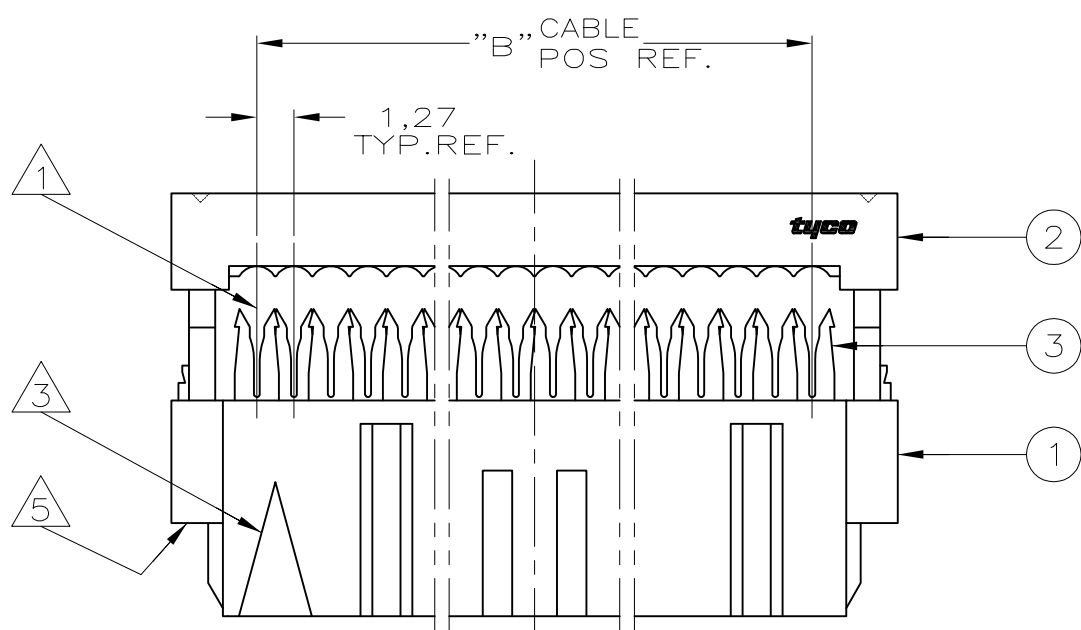


THIS DRAWING IS UNPUBLISHED. RELEASED FOR PUBLICATION  
 © COPYRIGHT - By - ALL RIGHTS RESERVED.

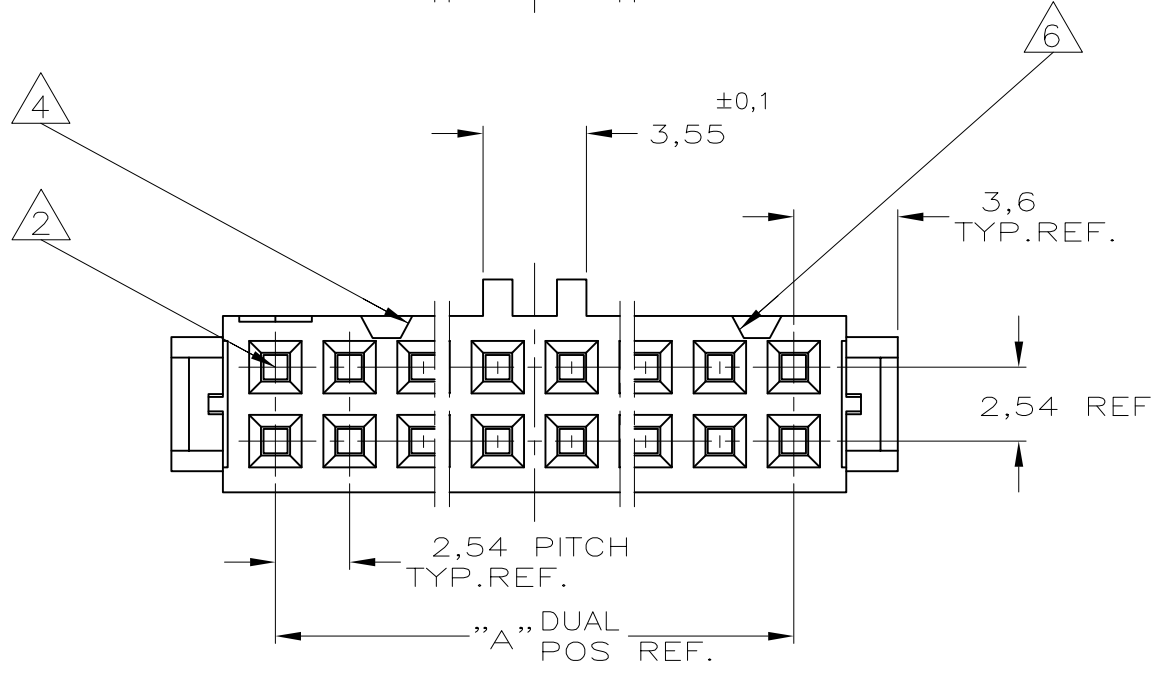
LOC	DIST	REVISIONS					
		P	LTR	DESCRIPTION	DATE	DWN	APVD
J	-		F	ADDED PACKING INFORMATION	27JUN2012	Y.U	T.K



- NOTES:
- ① CONNECTOR IS DESIGNED FOR FLAT RIBBON CABLE ON 1,27 CENTERS . FOR CABLE REQUIREMENTS SEE AMP APPLICATION SPECIFICATION 114-19022.
  - ② THESE RECEPTACLE CONNECTORS MATE WITH 0,64<sup>±0,05</sup> mm SQUARE OR ROUND POSTS ON 2,54mm GRID.
  - ③ MARK INDICATING FIRST CABLE POSITION REFERRING TO CONTACT POSITION.
  - ④ THERE IS NO POLARIZATION-SLOT AT THIS END IN 6, 10 AND 14 POS CONNECTORS.
  - ⑤ THESE CONNECTORS CAN BE USED IN CONJUNCTION WITH STRAIN-RELIEF COVERS OF PARTNR: 100103.
  - ⑥ THERE IS NO POLARIZATION-SLOT AT THIS END IN 6 POS CONNECTORS.
  - ⑦ PRODUCT SPECIFICATION 108-19033.
  - ⑧ OBSOLETE PARTS: OBSOLETE CIS STREAMLINING PER D.RENAUD/D.SINISI



	85,9	64	32	6-215882-4	E
	80,8	60	30	6-215882-0	E
	68,1	50	25	5-215882-0	E
	60,5	44	22	4-215882-4	E
	55,4	40	20	4-215882-0	E
	47,8	34	17	3-215882-4	E
⑧ OBSOLETE	42,7	30	15	3-215882-0	E
	37,6	26	13	2-215882-6	E
	30,0	20	10	2-215882-0	E
	24,9	16	8	1-215882-6	E
	22,4	14	7	1-215882-4	E
	17,3	10	5	1-215882-0	E
OBSOLETE	14,8	8	4	0-215882-8	C
	12,2	6	3	0-215882-6	E
OBSOLETE	9,7	4	2	0-215882-4	C
	DIM. "C"	"B" CABLE POS.	"A" DUAL POS.	PARTNUMBER	PART REV.



③ RECEPTACLE CONTACT	PHOSPHORBRONZE Cu Sn6	AT CONTACT-PLACE: 0,8µm GOLD AT WIRING END: 2,5µm TIN ENTIRE UNDERCOATING: 1,27µm NICKEL
② COVER	THERMOPLASTIC POLYESTER GF UL 94 -V0	GREY RAL 7032 (ONLY FOR REF.)
① HOUSING		
COMPONENT NAME	MATERIAL	PLATING / COLOUR

THIS DRAWING IS A CONTROLLED DOCUMENT.

DIMENSIONS: mm	TOLERANCES UNLESS OTHERWISE SPECIFIED:	DWN W.R.VERBEET 02FEB1988	TE Connectivity
	0 PLC ± -	CHK R.VERSTIJNEN 03FEB1988	
	1 PLC ± -	APVD L.V.SOEST 03FEB1988	
	2 PLC ± -	NAME	
MATERIAL SEE TABLE	FINISH SEE TABLE	PRODUCT SPEC -	AMP-LATCH_MIL-TYPE RECEPTACLE_CONNECTOR ASSEMBLY_(SYMMETRIC_COVER)
		APPLICATION SPEC -	SIZE A3
		WEIGHT -	CAGE CODE 00779
			DRAWING NO C-215882
			RESTRICTED TO -
			SCALE 4:1
			SHEET 1 of 2
			REV F

CUSTOMER DRAWING

4

3

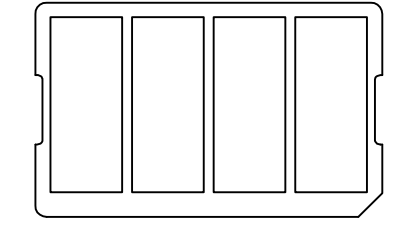
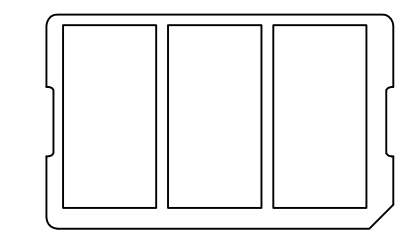
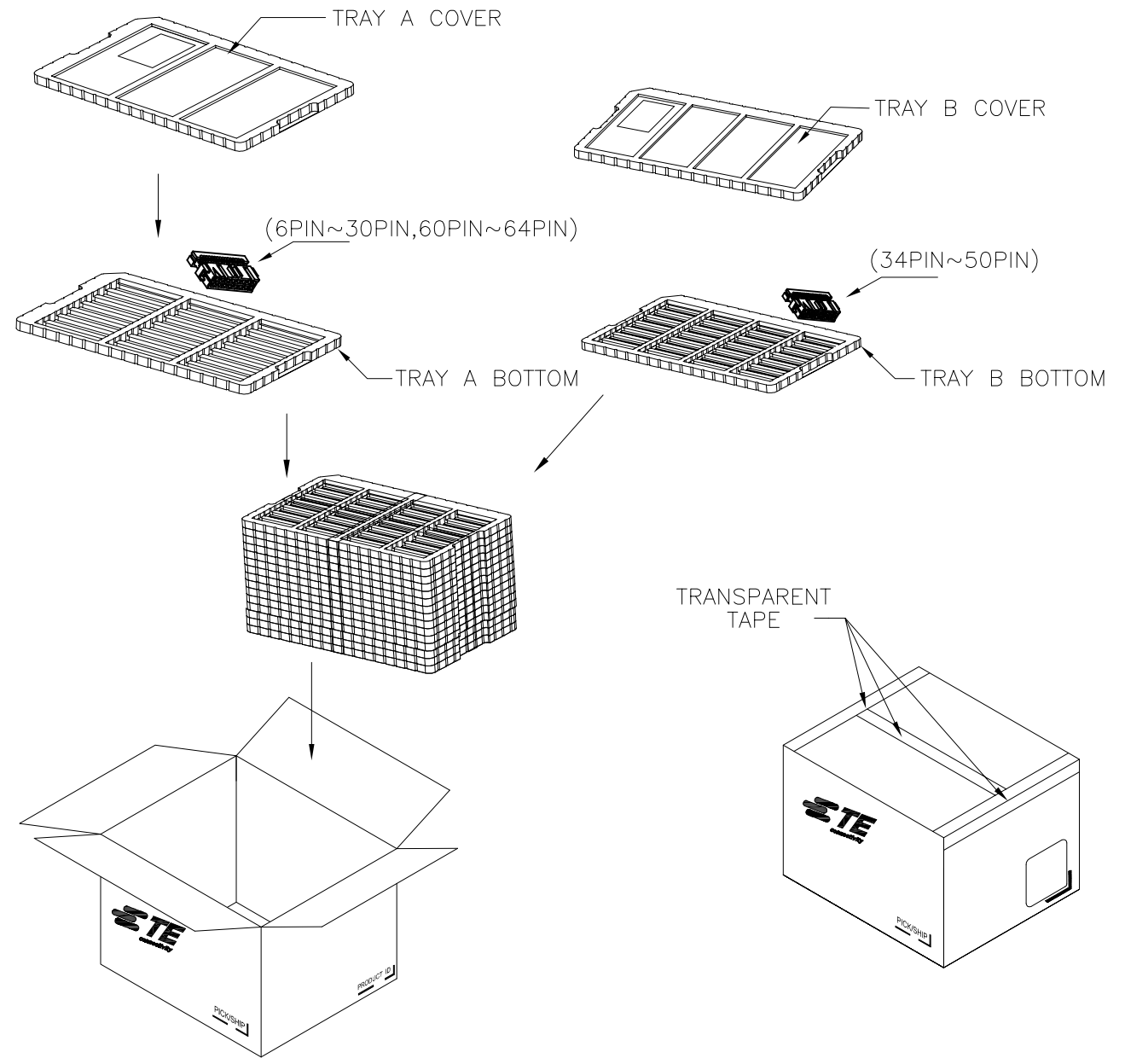
2

1

THIS DRAWING IS UNPUBLISHED. RELEASED FOR PUBLICATION  
© COPYRIGHT - By - ALL RIGHTS RESERVED.

LOC	DIST	REVISIONS				
P	LTR	DESCRIPTION	DATE	DWN	APVD	
	-	SEE SHEET 1	-	-	-	

# PACKAGING SPECIFICATION

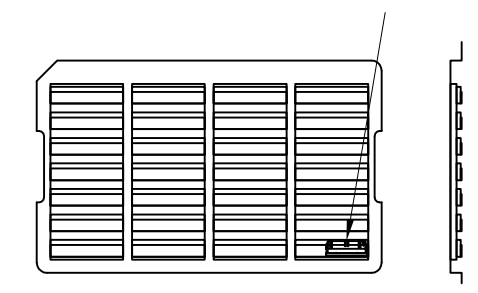
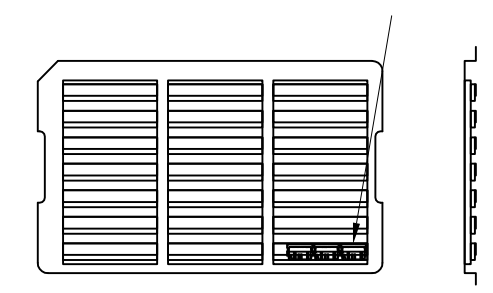


TRAY A COVER

TRAY B COVER

SHOWN AS 1-215882-6

SHOWN AS 4-215882-0



TRAY A BOTTOM

TRAY B BOTTOM

THIS DRAWING IS A CONTROLLED DOCUMENT.		DWN W.R.VERBEET 02FEB1988	TE Connectivity		
DIMENSIONS: mm		CHK R.VERSTIJNEN 03FEB1988			
TOLERANCES UNLESS OTHERWISE SPECIFIED:		APVD L.V.SOEST 03FEB1988	NAME AMP-LATCH_MIL-TYPE RECEPTACLE_CONNECTOR ASSEMBLY_(SYMMETRIC_COVER)		
0 PLC ± - 1 PLC ± - 2 PLC ± - 3 PLC ± - 4 PLC ± - ANGLES ± -		PRODUCT SPEC -	SIZE A3	CAGE CODE 00779	DRAWING NO C-215882
MATERIAL -		FINISH -	WEIGHT -	RESTRICTED TO -	
CUSTOMER DRAWING			SCALE -	SHEET 2 OF 2	REV F

# Mouser Electronics

Authorized Distributor

Click to View Pricing, Inventory, Delivery & Lifecycle Information:

[TE Connectivity:](#)

[6-215882-0](#)