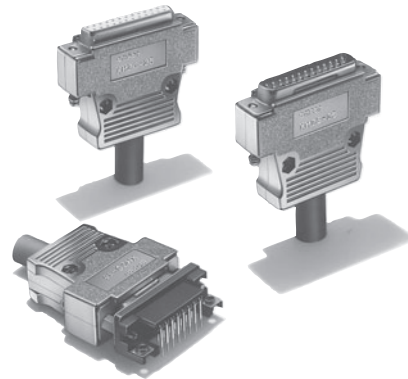


D-sub Connectors Are Ideal for Office Automation Interfacing.

- Shielded against EMI.
- Metallized plastic Hood (XM2S) provides excellent noise protection.
- A new line of multi-hole, ferrite-core Connectors (XM3B-F) offers space-saving design and superior noise protection at high frequency.
- Fitted in a rugged, compact metal shell.
- Many kinds of standard Anchors and grounding fixtures available.
- The XM2/XM3 conform to UL standards (No. E103202) (XM2S and some other models are not included)



RoHS Compliant

Terminology

● EMI

Abbreviation of ElectroMagnetic Interference (noise)

● Metallization

Here, metallization refers to plating over the plastic hood.

● Shielded connector

Connector having a structure that can be grounded.

● Beating

A processing technique that ensures the contact amongst the shells by beating a part of the shell.

● ESD

Abbreviation of ElectroStatic Discharge

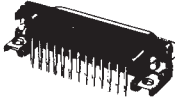
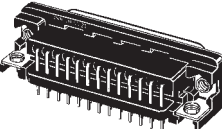
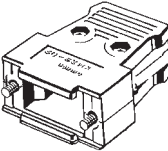
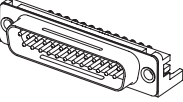
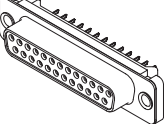
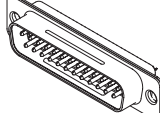
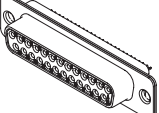
● Grounding structure

Here, grounding structure refers to a structure where an unmetallized hood can be grounded by an grounding plate.

● Shell

Refers to the case covering the connector. Here, the shell refers to the metal parts attached to the mating end.

Connectors

Model	XM3B	XM3B-F	XM2S	
Appearance	 Sockets with right-angle DIP terminals	 Sockets with right-angle DIP terminals (with ferrite core)	 Hoods	
Reference page	3 to 4	5	10	
Model	XM3C	XM3F	XM3A	XM3D
Appearance	 Plugs with right-angle DIP terminals	 Sockets with straight DIP terminals	 Plugs with solder-cup terminals	 Sockets with solder-cup terminals
Reference page	6 to 7	8	9	

■ Ratings and Characteristics

Model	Plugs with Solder Cup Terminals: XM3A Socket with right-angle DIP Terminals: XM3B Socket with right-angle DIP Terminals (with ferrite core): XM3B-F Plugs with Right-angle DIP Terminals: All XM3C models except those with 37 pins XM3C-0922-□□□ XM3C-1522-□□□ XM3C-2522-□□□ Sockets with Solder Cup Terminals: XM3D Sockets with Straight DIP Terminals: XM3F	Plugs with Right-angle DIP Terminals: XM3C models with 37 pins XM3C-3722-□□□	Hoods XM2S
Item			
Rated current	5 A	3 A	
Rated voltage	300 VAC		
Contact resistance	15 mΩ max. (at 20 mVDC, 100 mA max.)		
Insulation resistance	1,000 MΩ min. (at 500 V DC)		
Dielectric strength	1,000 VAC for 1 min (leakage current: 1 mA max.)		---
Total insertion force	Number of pins × 3.33 N max		
Removal force	0.29 N min. (for gauge diameter of 0.99 mm)		
Insertion durability	200 times		
Ambient operating temperature	-55°C to 105°C (with no icing)		-25°C to 85°C
Shield performance	Mounted in panel: 25 dB min. (30 to 900 MHz) Mounted on board: 20 dB min. (30 to 300 MHz)		---

■ Materials and Finish

Item	Model	XM3B	XM3B-F	XM3C	XM3F	XM3A	XM3D	XM2S
Housing		Fiber-glass reinforced PBT resin (UL94V-0)/black				Fiber-glass reinforced PBT resin (UL94V-0)/Milky white		ABS resin/nickel plated
Contacts	Mating end	Phosphor bronze/nickel base, gold plated (0.4 μm)				Bronze/nickel base, gold plated (0.4 μm)	Phosphor bronze/nickel base, gold plated (0.4 μm)	---
	Terminals	Phosphor bronze/nickel base, tin plated (2 μm)		Phosphor bronze/nickel base, tin plated (3 μm)		Bronze/nickel base, tin plated (3 μm)	Phosphor bronze/nickel base, tin plated (3 μm)	
Shell		Steel/nickel						

■ Applicable Wires

The applicable wires for solder cup terminals are AWG 22 to 28 (solid or stranded).

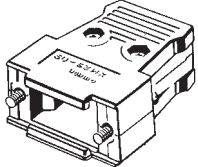
XM2S Hood Covers

■ Dimensions

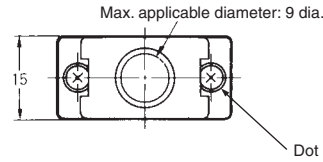
(unit: mm)

9-contact Hoods

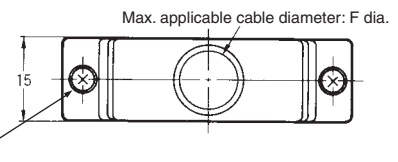
- XM2S-0911
(M2.6 × 0.45 metric screws)
- XM2S-0912
(M3 × 0.5 metric screws)
- XM2S-0913
(#4-40 UNC inch screws)



9-contact Hoods

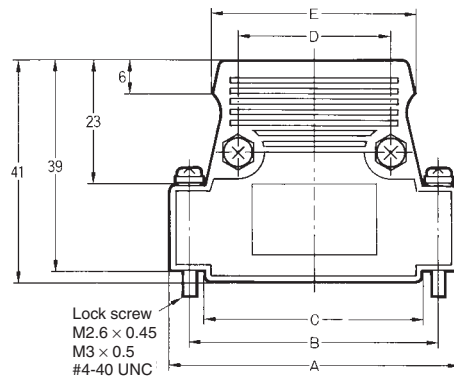
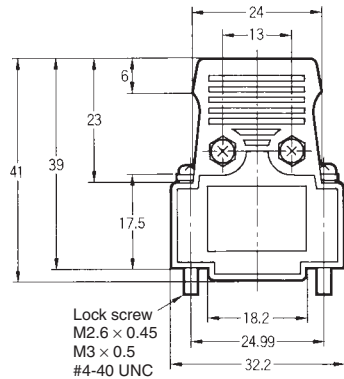
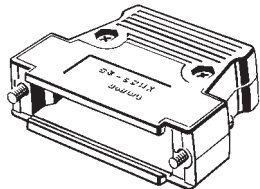


15-, 25- and 37-contact Hoods



15-, 25- and 37-contact Hoods

- XM2S-□□11
(M2.6 × 0.45 metric screws)
- XM2S-□□12
(M3 × 0.5 metric screws)
- XM2S-□□13
(#4-40 UNC inch screws)



Dimensions

Dot shape		
No dot	1 dot	2 dots

No. of contacts	A	B	C	D	E	F
15	40.5	33.32	26.5	19	30	10
25	54.0	47.04	40	29	38	11
37	70.5	63.50	57	42	50	13

■ Ordering Information

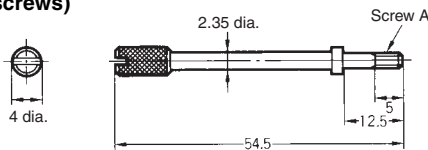
Applicable Anchors	Lock screw	M2.6 × 0.45 metric screws (No dot)	M3 × 0.5 metric screws (1 dot)	#4-40 UNC inch screws (2 dots)
	Anchor 1	XM2Z-0001	XM2Z-0002	XM2Z-0003
	Anchor 2	XM2Z-0011	XM2Z-0012	XM2Z-0013
No. of contacts	Anchor 3	XM2Z-0021	XM2Z-0022	XM2Z-0023
9		XM2S-0911	XM2S-0912	XM2S-0913
15		XM2S-1511	XM2S-1512	XM2S-1513
25		XM2S-2511	XM2S-2512	XM2S-2513
37		XM2S-3711	XM2S-3712	XM2S-3713

Note: Lock screws are attached to the Hood. Select D-sub Connectors with Anchors or Grounding Fixtures that fit the lock screw of the Hood.

■ Accessories (Sold Separately)

Anchor 5 (For Jackscrews and XM2S Hood)

- XM2Z-0071 (M2.6 × 0.45 metric screws)
- XM2Z-0072 (M3 × 0.5 metric screws)
- XM2Z-0073 (#4-40 UNC inch screws)



Materials and Finish
Brass/nickel plated

Dimensions

Model	A	Groove	Groove shape
XM2Z-0071	M2.6 × 0.45	None	
XM2Z-0072	M3 × 0.5	1	
XM2Z-0073	#4-40 UNC	2	

Mouser Electronics

Authorized Distributor

Click to View Pricing, Inventory, Delivery & Lifecycle Information:

[Omron:](#)

[XM2S-0913](#)