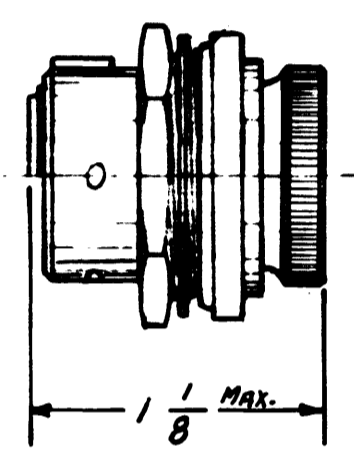


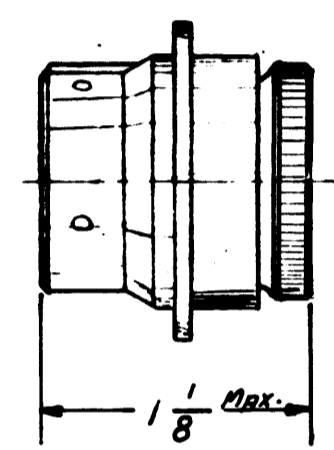
1A MOD

REVISIONS		DATE	APPROVAL
SYM	DESCRIPTION		
	NONE NEW RELEASE ECR 12373	1-10-63	<i>W. J. [Signature]</i>

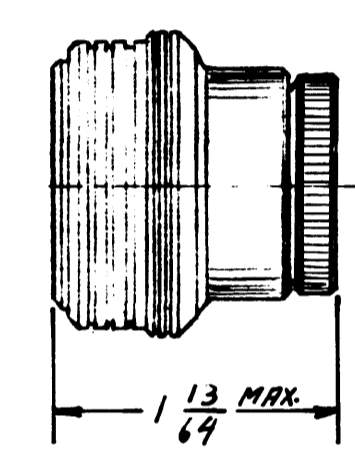
DM9601



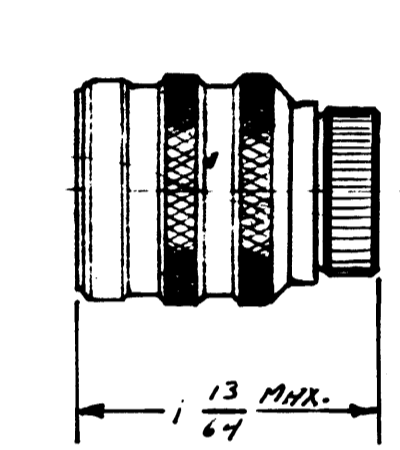
DM9606



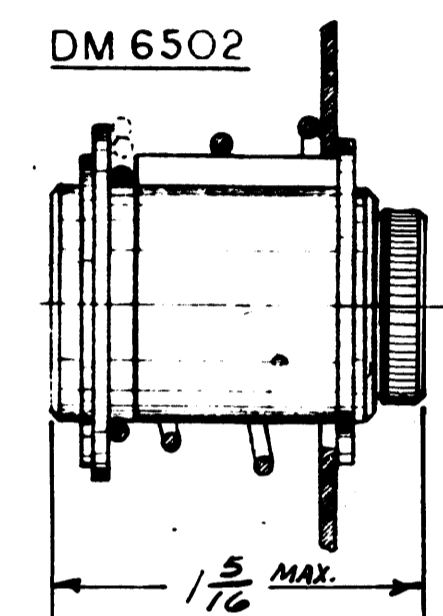
DM9700



DM9718



DM 6502



1A MOD	FOLLOWER & GROMMET OMITTED
--------	----------------------------

1. TO BE USED WITH STD. ENVELOPE DWG. OF CONNECTOR BEING MODIFIED.
NOTES

PART NUMBER		DESCRIPTION
LIST OF MATERIAL		
ENVELOPE MODIFICATION OMISSION PLUGS & RECEPTACLES FOR DM ONLY		
THE DEUTSCH COMPANY ELECTRONIC COMPONENTS DIVISION Municipal Airport • Banning, California		
DWG SIZE: B COCE: 1139 SHEET: 1 OF 1	1A MOD	

CHECKED BY: W. Brown 1-10-63 DATE: 1-10-63 MATERIAL: FINISH:	APP: EW/HB 1-22-63
---	--------------------

SCALE NONE

Mouser Electronics

Authorized Distributor

Click to View Pricing, Inventory, Delivery & Lifecycle Information:

[TE Connectivity:](#)

[38183G16-26SN-1A](#)