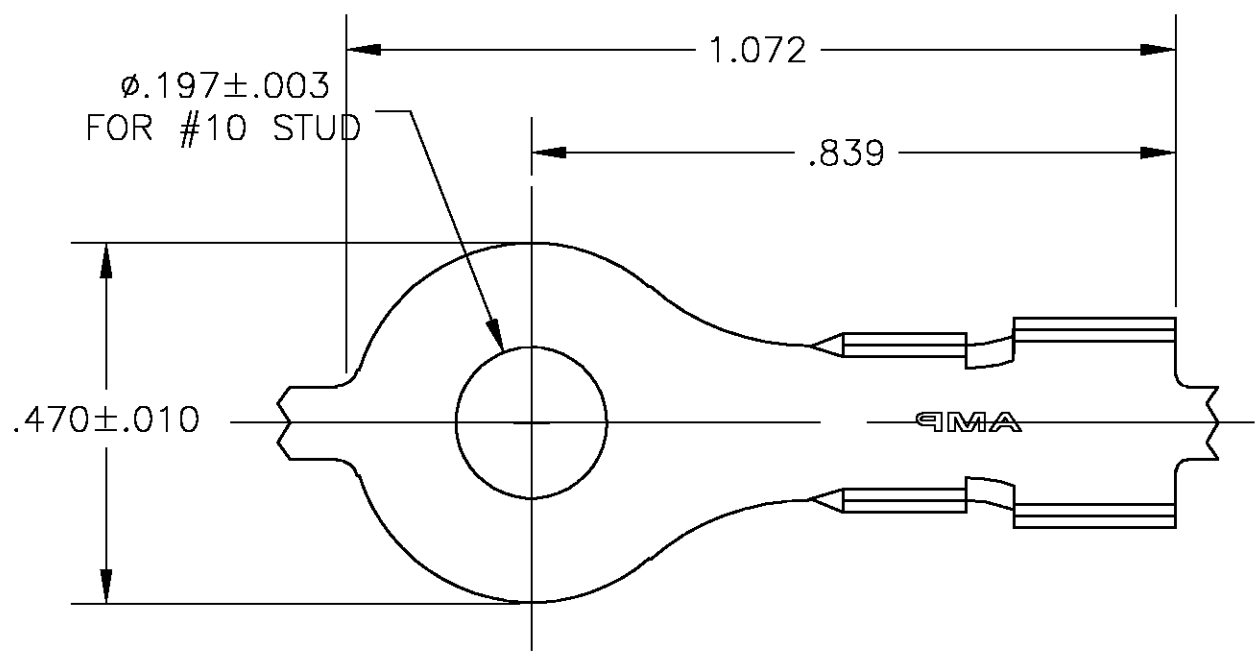
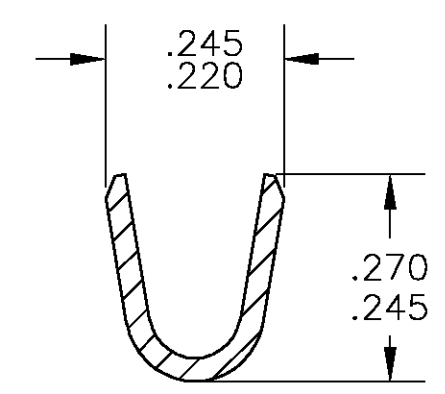
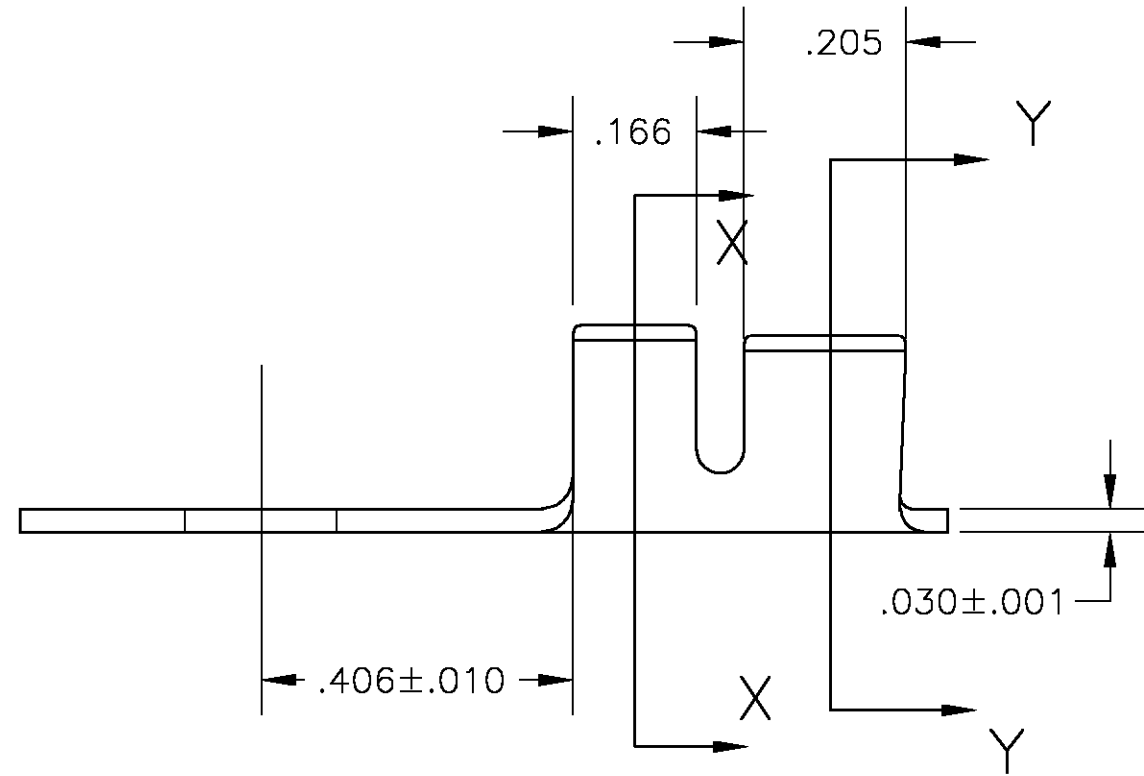


THIS DRAWING IS UNPUBLISHED. RELEASED FOR PUBLICATION
 © COPYRIGHT BY TYCO ELECTRONICS CORPORATION. ALL RIGHTS RESERVED.

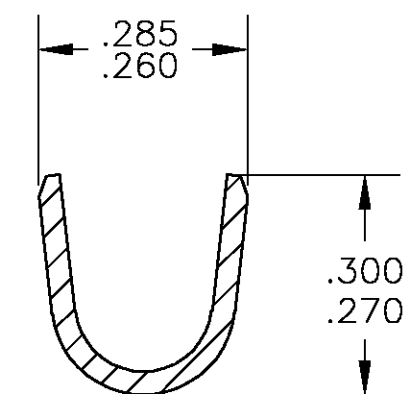
LOC	DIST	REVISIONS			
P	LTR	DESCRIPTION	DATE	DWN	APVD
AF	50	C	REV PER 0G3A-0385-03	19JUN03	jr DD



- 1 CONTINUOUS STRIP ON REELS
- 2 WIRE SIZE IS 12-10 AWG
- 3 INSULATION RANGE IS .150-.210 DIA



SECTION X-X



SECTION Y-Y

42722-1
 PART NO

THIS DRAWING IS A CONTROLLED DOCUMENT.		DWN jr_ruth 19JUN03	Tyco Electronics Corporation Harrisburg, PA 17105			
DIMENSIONS: INCHES		CHK D DECKER 19JUN03				NAME RING TONGUE
		APVD D DECKER 19JUN03	PRODUCT SPEC -			
TOLERANCES UNLESS OTHERWISE SPECIFIED:		APPLICATION SPEC -	SIZE A3	CAGE CODE 00779	DRAWING NO C-42722	RESTRICTED TO -
MATERIAL 082 BRASS		FINISH -	WEIGHT -	SCALE 4:1		SHEET 1 OF 1
CUSTOMER DRAWING			REV C			

Mouser Electronics

Authorized Distributor

Click to View Pricing, Inventory, Delivery & Lifecycle Information:

[TE Connectivity:](#)

[42722-1 \(Mouser Reel\)](#) [42722-1 \(Cut Strip\)](#)