

4

3

2

1


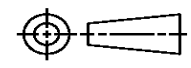
THIS DRAWING IS UNPUBLISHED. RELEASED FOR PUBLICATION  
© COPYRIGHT ALL RIGHTS RESERVED.

LOC	DIST	REVISIONS			
P	LTR	DESCRIPTION	DATE	DWN	APVD
	B1	ECR-14-007044	22MAY2014	GK	HMR

# REPLACED BY OCEAN STYLE APPLICATOR PART NUMBER 2266265-2

FOR REPLACEMENT PARTS FOR APPLICATOR 1385409 REFER TO ADDITIONAL PAGE(S). SPARE PARTS KIT (IF LISTED) WILL REMAIN AVAILABLE.

THE REPLACEMENT OCEAN STYLE APPLICATOR HAS THE SAME TERMINATOR/PRESS INTERFACE AS APPLICATOR 1385409

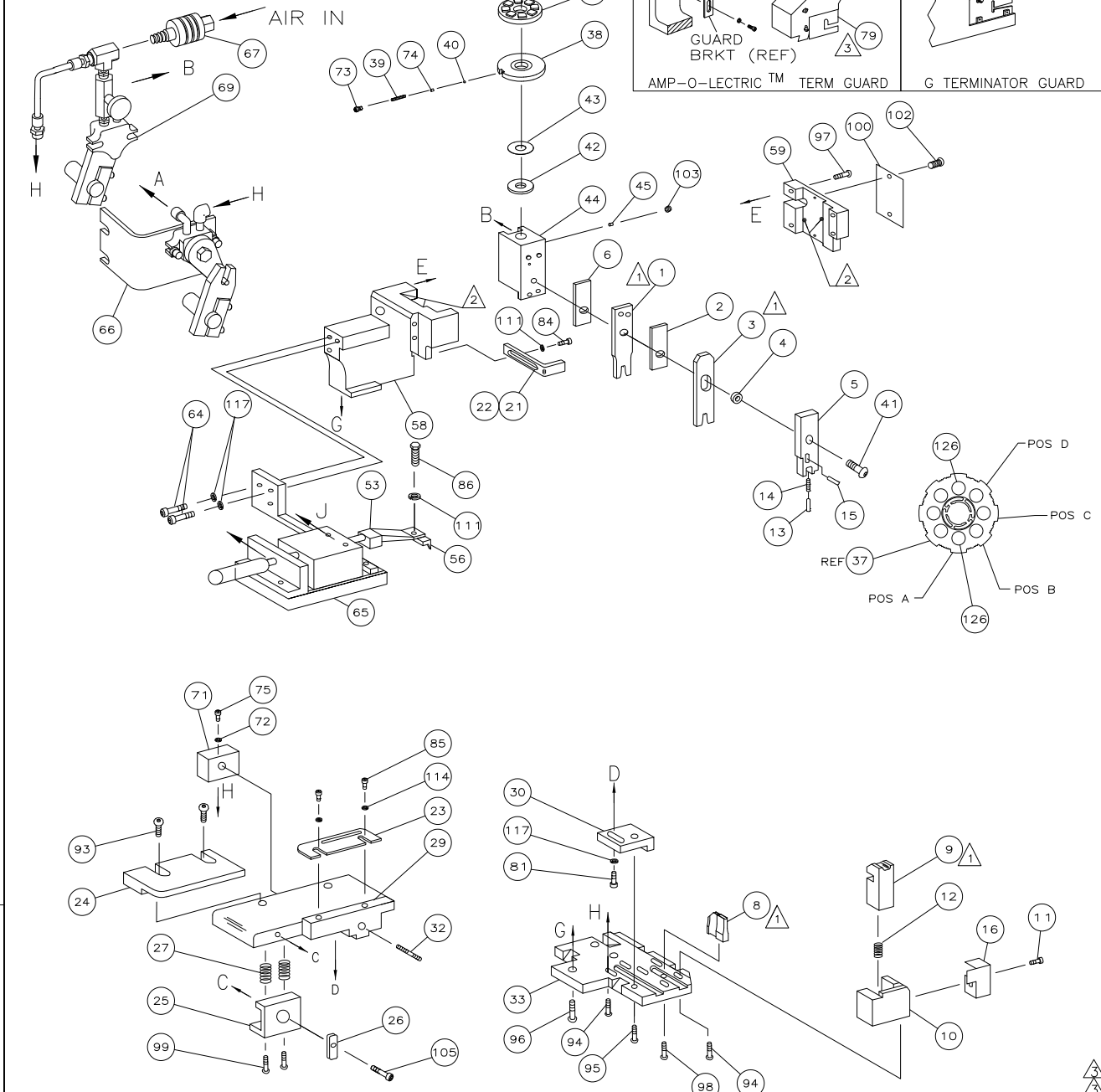
THIS DRAWING IS A CONTROLLED DOCUMENT.		DWN	GOPALAKRISHNA HV			TE Connectivity	
DIMENSIONS:		CHK	RAGHAVENDRA			NAME	
		TOLERANCES UNLESS OTHERWISE SPECIFIED:		APVD	SIDE FEED HDM APPLICATOR		
		0 PLC ±	1 PLC ±	PRODUCT SPEC			
MATERIAL		2 PLC ±	3 PLC ±	APPLICATION SPEC			
FINISH		4 PLC ±	ANGLES ±	SIZE	CAGE CODE	DRAWING NO	RESTRICTED TO
				A3		©- 1385409	
				CUSTOMER DRAWING		SCALE	SHEET 1 OF 2 REV B1

DRAWING MADE IN THIRD ANGLE PROJECTION

1385409 1385409

/home/amp52641/edmod

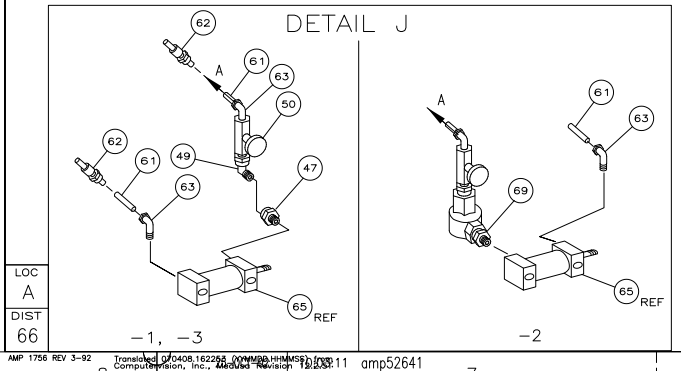
PART NUMBER	REV	FIRST USED
1385409-1	B	122500-1
1385409-2	B	565435-5
1385409-3	B	354500-1



TERMINAL NAME: 1.00MM SH CONNECTOR			
AMP TERM PN	MFR TERM PN	JST TERMINAL	CUSTOMER CRIMP SPECS
1572083	SZH-002T-PO.5	2-354779-8	
773749	SZH-002T-PO.5	3-354779-2	
PAD LTR	CRIMP HEIGHT	WIRE SIZE	
A	.023 ±0.01 [0.58 ±0.02mm]	26	
B	.021 ±0.01 [0.53 ±0.02mm]	28	
C	NOT USED		
D	NOT USED		
CRIMP SIZE	TYPE	RANGE	
WIRE	.039 [0.99mm]	F	26-28
INSUL	.038 [0.95mm]	F	.031-.043
WIRE STRIP LENGTH	TERM APPL	SPEC	FEED
.034-.049	NONE		.243
APPL INSTRUCTION	SET UP GAGE	LAYOUT	
408-8040	458637-1	I2655	

QTY REQD PER ASSY	PARTS LIST	DESCRIPTION	ITEM NO		
1	22353-8	SCR, SHLD (Ø187x.25) DRAG LEVER	105		
1	992031-1	PIN, CLEVIS	104		
1	21009-2	SCR, SKT SET (1/4-20x.25 LW) RAM	103		
2	21017-2	SCR, DRIVE (#2x.19) ID PLATE	102		
1	461264-1	PLATE, IDENTIFICATION	100		
2	3-21002-0	SCR, BHC (10-32x.88) DRAG	99		
1	22733-8	SCR, BHC (8-32x.38 LW) ANVIL	98		
4	2-21002-9	SCR, BHC (10-32x.75) CAP	97		
3	2-22733-8	SCR, BHC (1/4-20x.62) HSG	96		
1	2-21002-7	SCR, BHC (10-32x.50) SG ADJ BLK	95		
6	2-21002-2	SCR, BHC (8-32x.50) TERM H DWN	94		
2	2-21002-1	SCR, BHC (8-32x.38) R STP GDE	93		
1	7-21000-9	SCR, SHC (4-40x.19) STRIPPER	89		
1	2-22603-1	SCR, HEX HD (8-32x.38) FEED FINGER	86		
2	1-21000-3	SCR, SHC (4-40x.25) FR ST GUIDE	85		
1	2-21000-7	SCR, SHC (8-32x.50) STRIPPER	84		
1	3-21000-4	SCR, SHC (10-32x.38) SG ADJ BL	81		
-1	462992-7	GUARD ASSY	79		
REF	679532-1	INSERT, GUARD	78		
1	2-21008-9	SCR, SKT SET (6-32 x.25)	75		
1	690603-1	SPRING, ASSIST	74		
1	23030-1	SCR, SHC (6-32x.25 SL) INS DISC	73		
1	690191-5	PLUG NYLON	72		
1	1633020-1	FINE ADJUST SCREW BLOCK	71		
QTY REQD PER ASSY	U/M	DWG SIZE	PART NO	DESCRIPTION	ITEM NO
-3	-2	-1			

QTY REQD PER ASSY	REVISION OF EACH ASSY NO (WHEN BLANK, USE DWG REVISION)	PARTS LIST	DESCRIPTION	ITEM NO			
-1		LEADMAKER	AIRFEED	70			
-2		BENCH MODEL K	AIRFEED	69			
-3		BENCH MODEL G	AIRFEED	68			
-1		C	455350-1	AIR BLAST ASSEMBLY	67		
-1		A	24042-2	VALVE, SHUT OFF	66		
-1		C	692655-1	AIR FEED VALVE ASSY	65		
1		B	1633030-1	AIR FEED ASSEMBLY	64		
2		A	3-21000-7	SCR, SHC (10-32x.75) AIR ASSY	63		
2		A	980285-2	ELBOW, SWIVEL 1/8 NPT - 1/4 T	62		
2		A	23238-1	QUICK DISCONNECT	61		
48.00	21	48.00	IN	A	27319-4	TUBING, POLY-FLO Ø.25	60
1		C	454220-8	CAP, RAM	59		
1		D	454485-7	HOUSING	58		
1		B	1-694433-5	PAWL, FEED	57		
1		B	461062-2	FEED FINGER ASSY	53		
1		A	22374-7	VALVE, QUICK EXHAUST	48		
1		A	22304-1	NIPPLE, HEX 1/8 NPT	47		
1		A	690191-1	PLUG, NYLON	46		
1		C	1-455673-0	RAM	44		
1		A	690125-1	WASHER, LAMINATED	43		
1		A	690124-4	WASHER, RAM	42		
1		A	7-21002-9	BOLT, CRIMPER (5/16x1.00)	41		
1		A	23241-6	BALL, STEEL	40		
1		A	690170-1	SPRING, COMPRESSION	39		
1		C	690142-4	DISC, INSULATION	38		
1		D	354777-1	WIRE DISC, PLASTIC	37		
1		A	22480-5	WASHER, SPRING	36		
1		B	690212-1	POST, RAM	35		
1		D	1633017-1	PLATE, BASE	33		
1		A	1633031-1	SCREW, ADJUSTMENT	32		
1		B	1633014-1	BLOCK, STRIP GUIDE ADJ	30		
1		C	1633016-1	PLATE, STRIP GUIDE	29		
2		A	22281-8	SPRING, DRAG	27		
1		B	240793-1	LEVER, DRAG RELEASE	26		
1		B	679754-2	DRAG, TERMINAL	25		
1		D	1633013-2	GUIDE, STRIP (REAR)	24		
1		A	1633015-1	GUIDE, STRIP (FRONT)	23		
-		B	690472-2	STRIPPER	22		
1		B	2-1338987-8	STRIPPER	21		
1		B	318563-1	GUARD, CHIP, FRONT	16		
1		A	21028-2	PIN SLOTTED SPRING	15		
1		A	1-22278-0	SPRING COMPRESSION	14		
1		A	854769-1	INSULATION HOLDER	13		
1		A	5-22280-0	SPRING, SHEAR	12		
1		B	690461-1	STOP, SHEAR	11		
1		C	690459-1	HOLDER, SHEAR (FRONT)	10		
1		C	1-462006-7	SHEAR, FLOAT (FRONT)	9		
1		C	5-805887-4	ANVIL	8		
1		C	2-455888-4	SPACER, CRIMPER	6		
1		C	854772-8	DEPRESSOR, SHEAR (FRONT)	5		
1		B	2-238011-8	SPACER, BLOCK CRIMPER	4		
1		C	1633022-2	CRIMPER, INSULATION	3		
1		C	455888-4	SPACER, CRIMPER	2		
1		C	1633021-2	CRIMPER, WIRE	1		
QTY REQD PER ASSY	U/M	DWG SIZE	PART NO	DESCRIPTION	ITEM NO		
-3	-2	-1					



- 1 RECOMMENDED SPARE PARTS.
- 2 GREASE LIGHTLY.
- 3 GUARD MUST BE IN PLACE WHEN OPERATING APPLICATOR IN A BENCH MACHINE.
- 4 SEE DRAWING FOR COMPONENTS

THIS DRAWING IS UNPUBLISHED. COPYRIGHT 2002 BY AMP INCORPORATED. ALL RIGHTS RESERVED.

LOC A	66
DIST	

AMP 1756 REV 3-92 Transformed from 162255 (DWMH) (HMS) 1385409-11 amp52641

DIMENSIONS IN INCHES. DO NOT SCALE PRINT. TOLERANCES UNLESS OTHERWISE SPECIFIED:		MATERIAL		HT TR		FIN	
2 PLC DEC ±.25		DR 19APRIL02		APP 19APRIL02		C.REICHELDERFER	
3 PLC DEC ±.		CHK		REL		AMP	
4 PLC DEC ±.		NAME		SIDE FEED HDM APPLICATOR		MACHINE REF	
ANGLES ±		SCALE		D		DWG NO	
SURF TEXTURE: ✓		REVISION RECORD		1385409		SHEET 1 of 1	
REMOVE BURRS, BREAK SHARP EDGES R.015 MAX		DATE		700779		CUSTOMER AND ASSEMBLY DRAWING	

# Mouser Electronics

Authorized Distributor

Click to View Pricing, Inventory, Delivery & Lifecycle Information:

[TE Connectivity:](#)

[1385409-1](#)