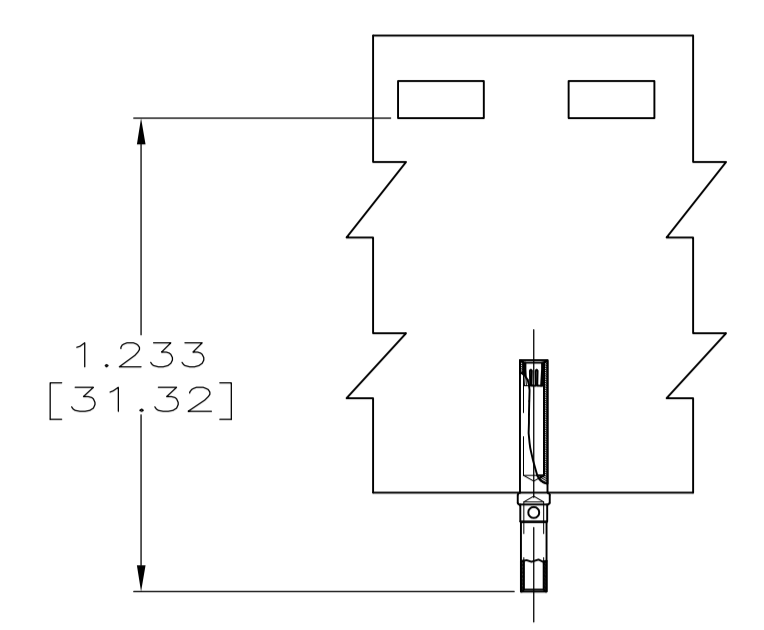
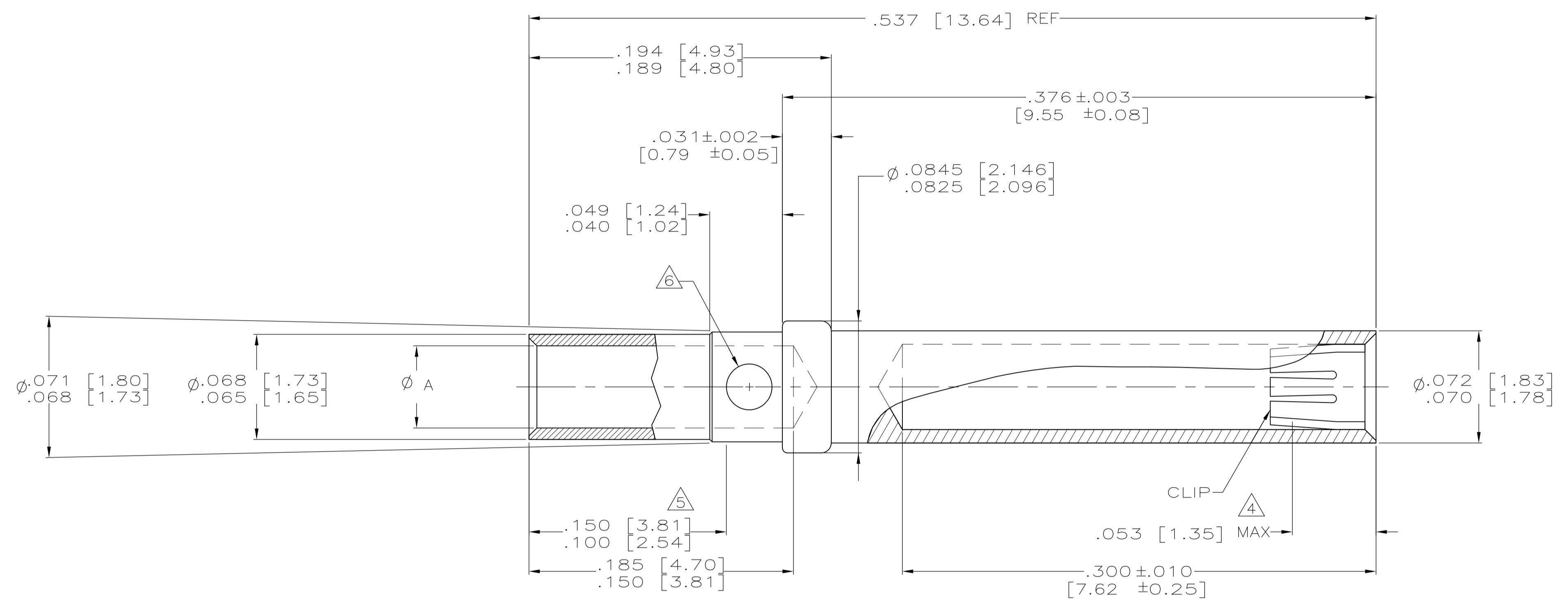


| LOC | | DIST | | REVISIONS | | | |
|-----|----|------|---------------------------|-----------|-----|------|--|
| DF | DO | REV | DATE | BY | CHK | APPV | |
| D | | 1 | REVISED PER ECO-13-012304 | 23AUG13 | MGM | CT | |



1218267-2 & -4
SCALE 2:1

- 1 MATERIAL:
BODY: COPPER ALLOY
CLIP: BERYLLIUM COPPER ASTM B 194,
OR AMP ENGINEERING APPROVED EQUIVALENT.
- 2 FINISH:
BODY: GOLD PLATE .000010 [0.25µm] MIN THICK ON CONTACT BODY AS PER ASTM-B-488
OVER NICKEL PLATE .000050 [1.27µm] MIN THICK COATED PER ASTM-B-571.
CLIP: GOLD PLATE .000050 [1.27µm] MIN THICK COATED PER ASTM-B-488
OVER NICKEL PLATE .000100 [2.54µm] MIN THICK COATED PER ASTM-B-571.
- 3. ALL DIMENSIONS SHOWN AFTER PLATING.
- 4 POINT WHICH A .039 DIAMETER SQUARE ENDED PIN FIRST
ENGAGES CLIP TINES.
- 5 POINT OF PLATING THICKNESS MEASUREMENT.
- 6 INSPECTION HOLE THRU ONE WALL ONLY
RADIAL LOCATION OPTIONAL.



| TAPE MOUNTED 20-24 AWG WIRE | .043-.046 [1.09-1.17] | △ | △ | 1218267-4 |
|-----------------------------|-----------------------|--------|----------|-------------|
| LOOSE PIECE 20-24 AWG WIRE | .043-.046 [1.09-1.17] | △ | △ | 1218267-3 |
| TAPE MOUNTED 18 AWG WIRE | .051-.053 [1.30-1.35] | △ | △ | 1218267-2 |
| LOOSE PIECE 18 AWG WIRE | .051-.053 [1.30-1.35] | △ | △ | 1218267-1 |
| REMARKS | DIM A | FINISH | MATERIAL | PART NUMBER |

THIS DRAWING IS A CONTROLLED DOCUMENT.

| | | | | | |
|----------------------------|--|---------------------------|---------------------------|------------------------------|---------------------|
| DIMENSIONS: INCHES [mm] | TOLERANCES UNLESS OTHERWISE SPECIFIED: | DIN P BRANDBERG 08 APR 98 | CHK G. GRIFFITH 04 DEC 98 | APPROD G. GRIFFITH 04 DEC 98 | NAME |
| 0 PLC ± - | 1 PLC ± - | 2 PLC ± - | 3 PLC ± .005 [0.13] | 4 PLC ± - | ANGLES ± 2° |
| MATERIAL SEE TABLE | FINISH SEE TABLE | WEIGHT | SIZE A1 | CAGE CODE 00779 | DRAWING NO. 1218267 |
| CUSTOMER DRAWING | | SCALE 20:1 | SHEET 1 of 1 | REV D | RESTRICTED TO |

STE TE Connectivity
CONTACT, SOCKET, CRIMP TYPE, AMPLIMITE

Mouser Electronics

Authorized Distributor

Click to View Pricing, Inventory, Delivery & Lifecycle Information:

[TE Connectivity:](#)

[1218267-1](#)