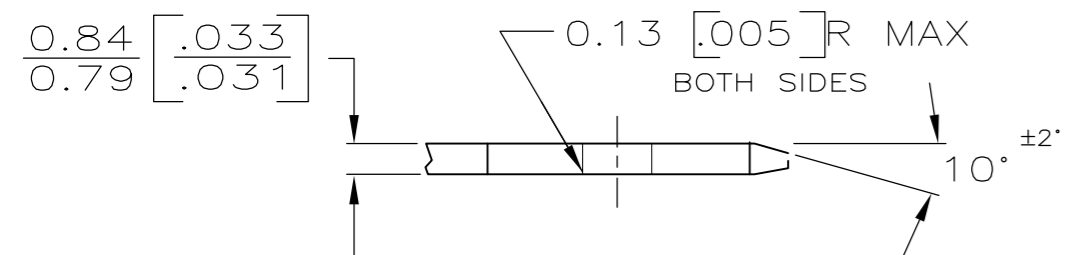
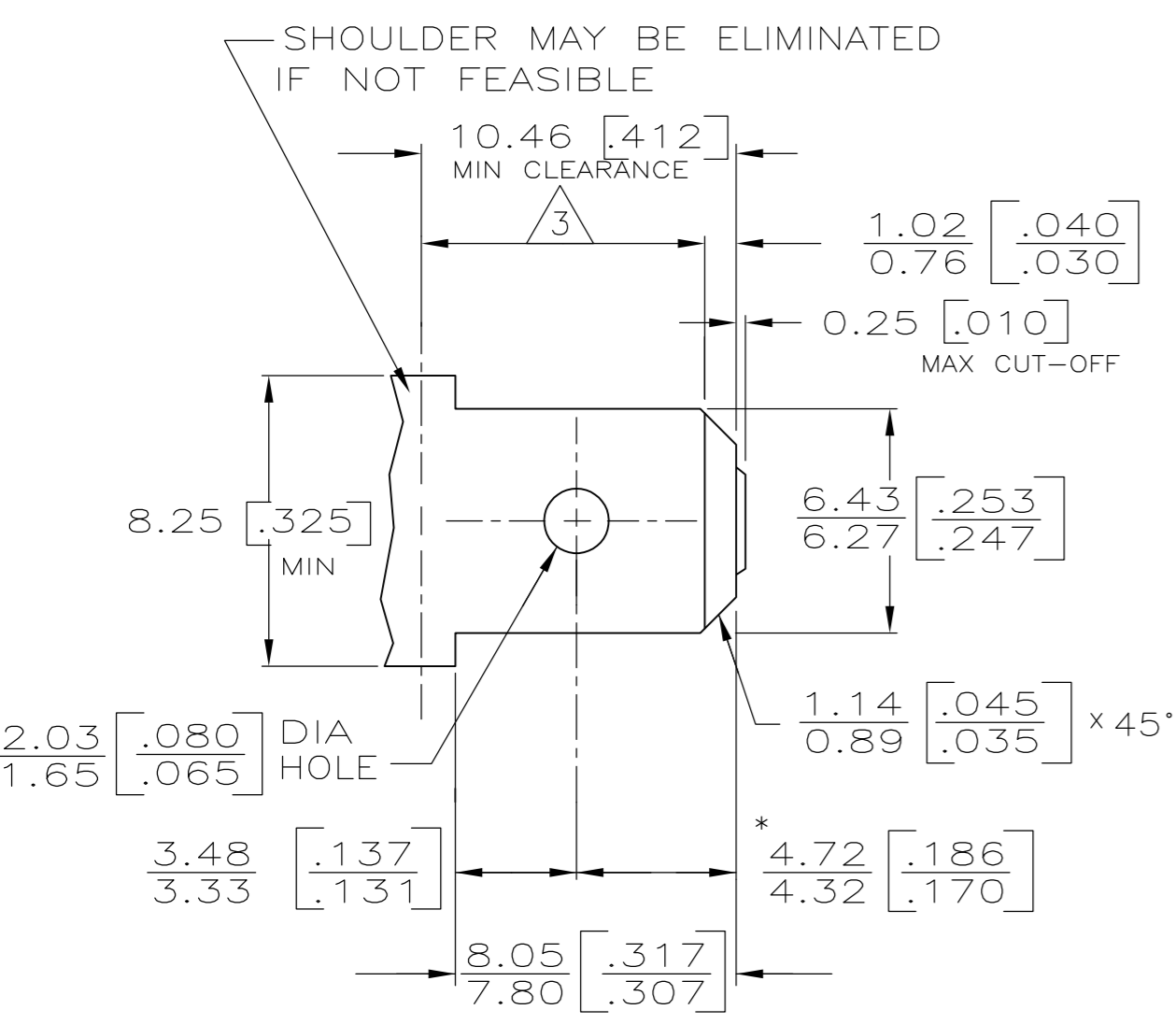


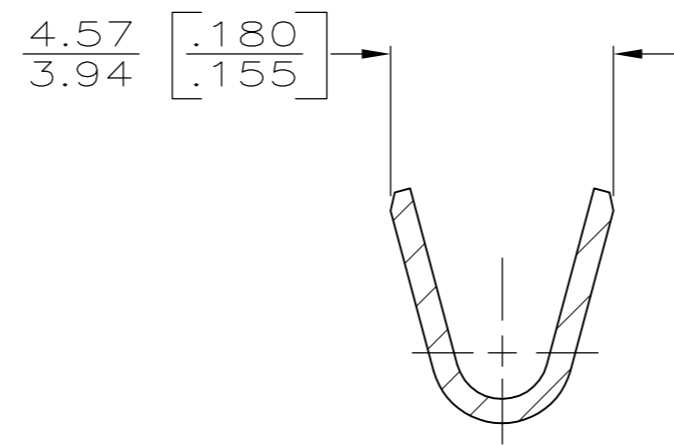
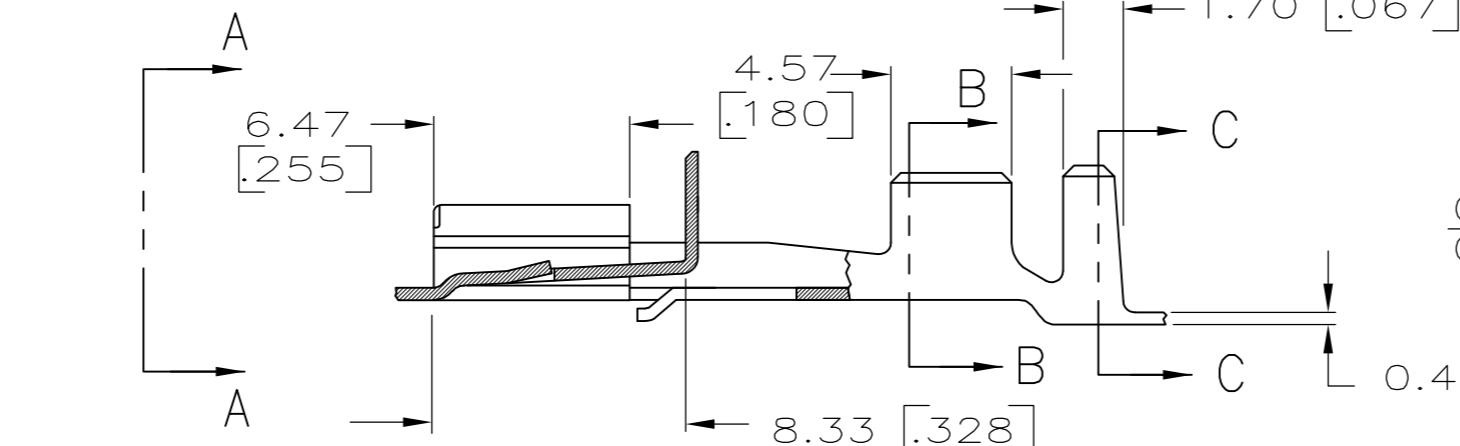
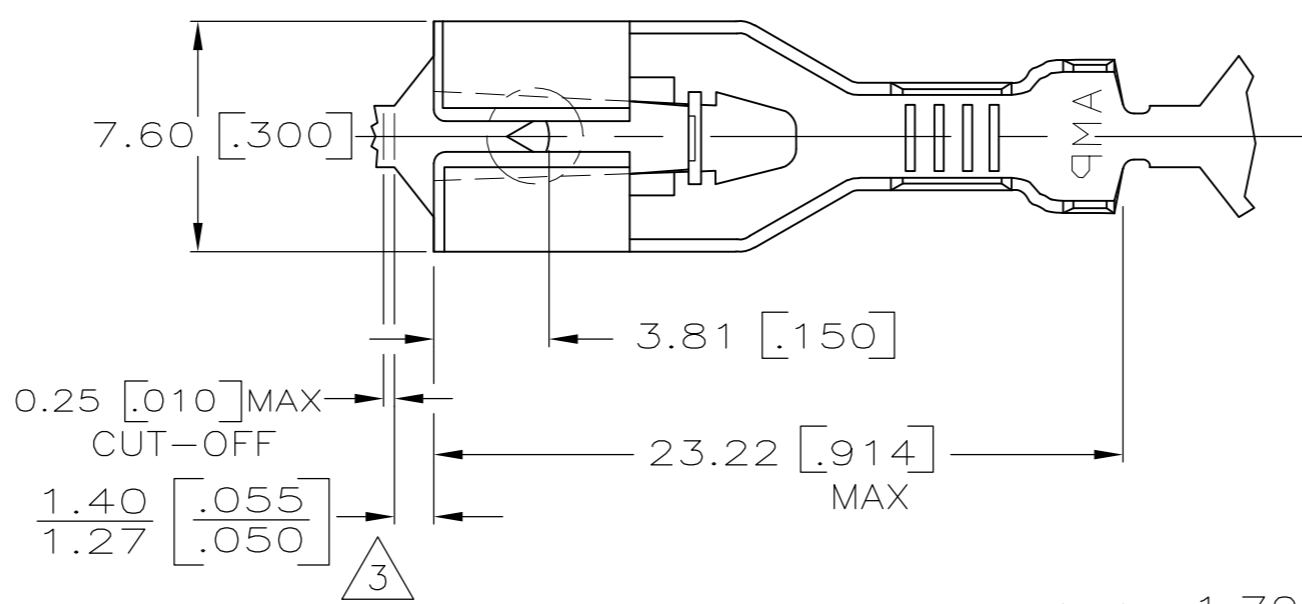
THIS DRAWING IS UNPUBLISHED. RELEASED FOR PUBLICATION. ALL RIGHTS RESERVED.

LOC		DIST		REVISIONS					
AF		50		P	LTR	DESCRIPTION	DATE	DWN	APVD
				L		REVISED PER ECR-12-013486	08JAN13	KH	KR

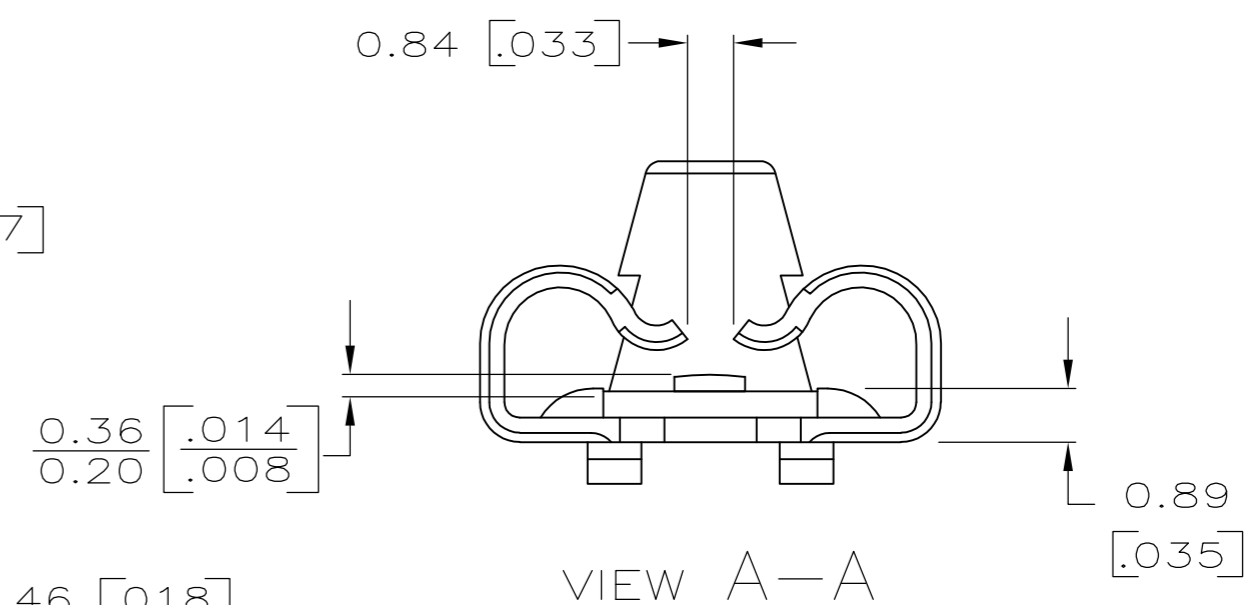
# SUGGESTED MATING TAB



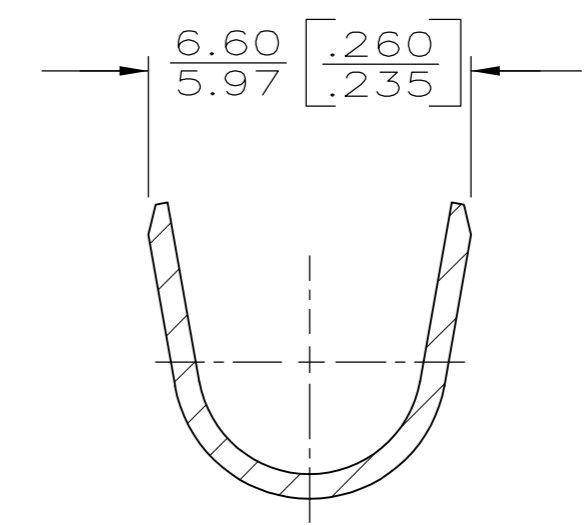
- MATL: 1/2H BRASS OR NICKEL PL STEEL.
  - NO BURRS PERMISSIBLE AT HOLE.
  - MUST BE FLAT WITHIN 0.076 [.003] OVER THIS LENGTH.
  - TIN PLATING IS REQUIRED ON BRASS WHEN TERMINAL TEMP. IS OVER 225°F
  - HOLE MUST BE SYMMETRICAL ABOUT TAB Q WITHIN 0.076 [.003]
- \* TO BE USED ONLY WHEN SHOULDER IS ELIMINATED.



SECTION B-B



VIEW A-A



SECTION C-C

- DIMENSIONS IN BRACKETS ARE IN INCHES.
- CONTINUOUS STRIP ON REELS.
- THE 1.40 [.055] DIMENSION MUST BE MAINTAINED BY THE APPLICATOR CUT-OFF TO ENSURE THE PROPER LOCKING FUNCTION OF THE RECEPTACLE.

3.81-5.08 [.150-.200]	3.0-6.0 mm <sup>2</sup> [12-10]	63239-1
INSULATION RANGE	WIRE SIZE	PART NO

THIS DRAWING IS A CONTROLLED DOCUMENT.		DWN	JR RUTH	7/28/86		TE Connectivity	
DIMENSIONS: mm [INCHES]		CHK	G YETTER	1/23/87		NAME	
TOLERANCES UNLESS OTHERWISE SPECIFIED:		APVD	R KUZO	1/23/87		RECPT, POSITIVE LOCK, .250 SERIES	
0 PLC ± -		PRODUCT SPEC				SIZE	
1 PLC ± -		APPLICATION SPEC	114-2074		CAGE CODE	DRAWING NO	RESTRICTED TO
2 PLC ± -		WEIGHT	-		A2	00779	C=63239
3 PLC ± 0.25 [.010]		CUSTOMER DRAWING			SCALE	SHEET	1 OF 1
4 PLC ± -					NTS		REV
4 PLC ± -							L
ANGLES ± -							
FINISH							
BRASS							
TIN							

# Mouser Electronics

Authorized Distributor

Click to View Pricing, Inventory, Delivery & Lifecycle Information:

[TE Connectivity:](#)

[63239-1](#)