

## SN74LV07A Hex Buffers/Drivers With Open-Drain Outputs

### 1 Features

- 2-V to 5.5-V  $V_{CC}$  Operation
- Typical  $V_{OLP}$  (Output Ground Bounce)  $< 0.8$  V at  $V_{CC} = 3.3$  V,  $T_A = 25^\circ\text{C}$
- Typical  $V_{OHV}$  (Output  $V_{OH}$  Undershoot)  $> 2.3$  V at  $V_{CC} = 3.3$  V,  $T_A = 25^\circ\text{C}$
- Outputs are Disabled During Power Up and Power Down With Inputs Tied to  $V_{CC}$
- Support Mixed-Mode Voltage Operation on All Ports
- Latch-Up Performance Exceeds 100 mA Per JESD 78, Class II
- ESD Protection Exceeds JESD 22
  - 2000-V Human-Body Model
  - 200-V Machine Model
  - 1000-V Charged-Device Model

### 2 Applications

- Servers
- Telecom Infrastructures
- TV Set-Top Boxes

### 3 Description

These hex buffers/drivers are designed for 2-V to 5.5-V  $V_{CC}$  operation.

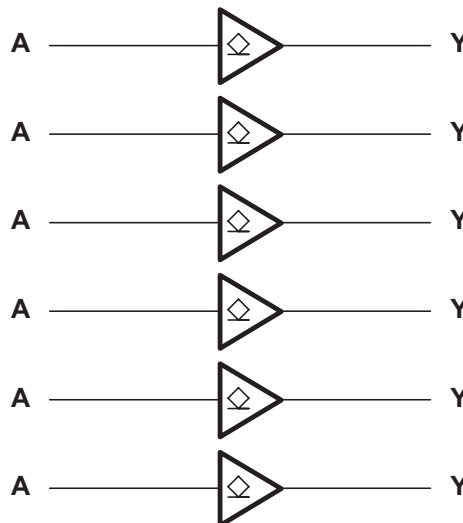
The SN74LV07A device performs the Boolean function  $Y = A$  in positive logic.

#### Device Information<sup>(1)</sup>

| PART NUMBER | PACKAGE    | BODY SIZE (NOM)    |
|-------------|------------|--------------------|
| SN74LV07A   | TVSOP (14) | 3.60 mm x 4.40 mm  |
|             | SOIC (14)  | 8.65 mm x 3.91 mm  |
|             | SOP (14)   | 10.30 mm x 5.30 mm |
|             | SSOP (14)  | 6.20 mm x 5.30 mm  |
|             | TSSOP (14) | 5.00 mm x 4.40 mm  |

(1) For all available packages, see the orderable addendum at the end of the data sheet.

### 4 Simplified Schematic



## Table of Contents

|   |          |  |           |
|---|----------|--|-----------|
| <b>1 Features</b> .....   | <b>1</b> | <b>9 Detailed Description</b> .....                              | <b>7</b>  |
| <b>2 Applications</b> .....   | <b>1</b> | 9.1 Overview .....   | 7         |
| <b>3 Description</b> .....  | <b>1</b> | 9.2 Functional Block Diagram .....                               | 7         |
| <b>4 Simplified Schematic</b> .....   | <b>1</b> | 9.3 Feature Description .....                                    | 7         |
| <b>5 Revision History</b> .....   | <b>2</b> | 9.4 Device Functional Modes .....                                | 7         |
| <b>6 Pin Configuration and Functions</b> .....                                | <b>3</b> | <b>10 Application and Implementation</b> .....                   | <b>8</b>  |
| <b>7 Specifications</b> .....   | <b>4</b> | 10.1 Application Information .....                               | 8         |
| 7.1 Absolute Maximum Ratings .....  | 4        | 10.2 Typical Application .....                                   | 8         |
| 7.2 Handling Ratings .....  | 4        | <b>11 Power Supply Recommendations</b> .....                     | <b>9</b>  |
| 7.3 Recommended Operating Conditions .....                                    | 4        | <b>12 Layout</b> .....   | <b>9</b>  |
| 7.4 Thermal Information .....   | 5        | 12.1 Layout Guidelines .....                                     | 9         |
| 7.5 Electrical Characteristics .....  | 5        | 12.2 Layout Example .....  | 9         |
| 7.6 Switching Characteristics, $V_{CC} = 2.5\text{ V} \pm 0.2\text{ V}$ ..... | 5        | <b>13 Device and Documentation Support</b> .....                 | <b>10</b> |
| 7.7 Switching Characteristics, $V_{CC} = 3.3\text{ V} \pm 0.3\text{ V}$ ..... | 5        | 13.1 Related Links .....   | 10        |
| 7.8 Switching Characteristics, $V_{CC} = 5\text{ V} \pm 0.5\text{ V}$ .....   | 6        | 13.2 Trademarks .....  | 10        |
| 7.9 Noise Characteristics .....   | 6        | 13.3 Electrostatic Discharge Caution .....                       | 10        |
| 7.10 Operating Characteristics .....  | 6        | 13.4 Glossary .....  | 10        |
| 7.11 Typical Characteristics .....  | 6        | <b>14 Mechanical, Packaging, and Orderable Information</b> ..... | <b>10</b> |
| <b>8 Parameter Measurement Information</b> .....                              | <b>7</b> |  |           |

## 5 Revision History

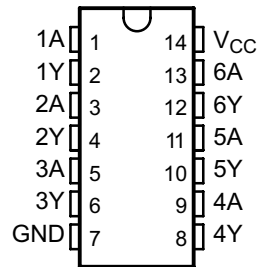
### Changes from Revision J (October 2010) to Revision K

Page

|  |   |
|--|---|
| • Updated document to new TI data sheet format .....   | 1 |
| • Deleted Ordering Information table. ....   | 1 |
| • Added Handling Ratings table. ....   | 4 |
| • Changed MAX operating temperature to 125°C in Recommended Operating Conditions table. .... | 4 |
| • Added Thermal Information table. ....  | 5 |
| • Added Typical Characteristics. ....  | 6 |
| • Added Detailed Description section .....   | 7 |
| • Added Application and Implementation section .....   | 8 |
| • Added Power Supply Recommendations and Layout sections .....                               | 9 |

## 6 Pin Configuration and Functions

SN74LV07A . . . D, DB, DGV, NS, OR PW PACKAGE  
(TOP VIEW)



**Pin Functions**

| PIN             |     | I/O | DESCRIPTION |
|-----------------|-----|-----|-------------|
| NAME            | NO. |     |             |
| 1A              | 1   | I   | 1A Input    |
| 1Y              | 2   | O   | 1Y Output   |
| 2A              | 3   | I   | 2A Input    |
| 2Y              | 4   | O   | 2Y Output   |
| 3A              | 5   | I   | 3A Input    |
| 3Y              | 6   | O   | 3Y Output   |
| 4A              | 9   | I   | 4A Input    |
| 4Y              | 8   | O   | 4Y Output   |
| 5A              | 11  | I   | 5A Input    |
| 5Y              | 10  | O   | 5Y Output   |
| 6A              | 13  | I   | 6A Input    |
| 6Y              | 12  | O   | 6Y Output   |
| GND             | 7   | —   | Ground Pin  |
| V <sub>CC</sub> | 14  | —   | Power Pin   |

## 7 Specifications

### 7.1 Absolute Maximum Ratings<sup>(1)</sup>

over operating free-air temperature range (unless otherwise noted)

|   |   | MIN                                   | MAX | UNIT |
|---|---|---------------------------------------|-----|------|
| V <sub>CC</sub>                                   | Supply voltage range  | -0.5                                  | 7   | V    |
| V <sub>I</sub>                                    | Input voltage range <sup>(2)</sup>  | -0.5                                  | 7   | V    |
| V <sub>O</sub>                                    | Voltage range applied to any output in the high-impedance or power-off state <sup>(2)</sup> | -0.5                                  | 7   | V    |
| I <sub>IK</sub>                                   | Input clamp current   | V <sub>I</sub> < 0                    | -20 | mA   |
| I <sub>OK</sub>                                   | Output clamp current  | V <sub>O</sub> < 0                    | -50 | mA   |
| I <sub>O</sub>                                    | Continuous output current   | V <sub>O</sub> = 0 to V <sub>CC</sub> | -35 | mA   |
| Continuous current through V <sub>CC</sub> or GND |   |                                       | ±50 | mA   |

- (1) Stresses beyond those listed under *Absolute Maximum Ratings* may cause permanent damage to the device. These are stress ratings only, and functional operation of the device at these or any other conditions beyond those indicated under *Recommended Operating Conditions* is not implied. Exposure to absolute-maximum-rated conditions for extended periods may affect device reliability.
- (2) The input and output negative-voltage ratings may be exceeded if the input and output current ratings are observed.

### 7.2 Handling Ratings

|                    |                           | MIN  | MAX | UNIT |   |
|--------------------|---------------------------|--|-----|------|---|
| T <sub>stg</sub>   | Storage temperature range | -65  | 150 | °C   |   |
| V <sub>(ESD)</sub> | Electrostatic discharge   | Human body model (HBM), per ANSI/ESDA/JEDEC JS-001, all pins <sup>(1)</sup>              | 0   | 2000 | V |
|                    |                           | Charged device model (CDM), per JEDEC specification JESD22-C101, all pins <sup>(2)</sup> | 0   | 1000 |   |

- (1) JEDEC document JEP155 states that 500-V HBM allows safe manufacturing with a standard ESD control process.
- (2) JEDEC document JEP157 states that 250-V CDM allows safe manufacturing with a standard ESD control process.

### 7.3 Recommended Operating Conditions

over operating free-air temperature range (unless otherwise noted)<sup>(1)</sup>

|                 |                                     | MIN                              | MAX                   | UNIT |
|-----------------|-------------------------------------|----------------------------------|-----------------------|------|
| V <sub>CC</sub> | Supply voltage                      | 2                                | 5.5                   | V    |
| V <sub>IH</sub> | High level input voltage            | V <sub>CC</sub> = 2 V            | 1.5                   | V    |
|                 |                                     | V <sub>CC</sub> = 2.3 V to 2.7 V | V <sub>CC</sub> × 0.7 |      |
|                 |                                     | V <sub>CC</sub> = 3 V to 3.6 V   | V <sub>CC</sub> × 0.7 |      |
|                 |                                     | V <sub>CC</sub> = 4.5 V to 5.5 V | V <sub>CC</sub> × 0.7 |      |
| V <sub>IL</sub> | Low level input voltage             | V <sub>CC</sub> = 2 V            | 0.5                   | V    |
|                 |                                     | V <sub>CC</sub> = 2.3 V to 2.7 V | V <sub>CC</sub> × 0.3 |      |
|                 |                                     | V <sub>CC</sub> = 3 V to 3.6 V   | V <sub>CC</sub> × 0.3 |      |
|                 |                                     | V <sub>CC</sub> = 4.5 V to 5.5 V | V <sub>CC</sub> × 0.3 |      |
| V <sub>I</sub>  | Input voltage                       | 0                                | 5.5                   | V    |
| V <sub>O</sub>  | Output voltage                      | 0                                | 5.5                   | V    |
| I <sub>OL</sub> | Low level output current            | V <sub>CC</sub> = 2 V            | 50                    | μA   |
|                 |                                     | V <sub>CC</sub> = 2.3 V to 2.7 V | 2                     |      |
|                 |                                     | V <sub>CC</sub> = 3 V to 3.6 V   | 8                     |      |
|                 |                                     | V <sub>CC</sub> = 4.5 V to 5.5 V | 16                    |      |
| Δt/Δv           | Input transition rise and fall rate | V <sub>CC</sub> = 2.3 V to 2.7 V | 200                   | ns/V |
|                 |                                     | V <sub>CC</sub> = 3 V to 3.6 V   | 100                   |      |
|                 |                                     | V <sub>CC</sub> = 4.5 V to 5.5 V | 20                    |      |
| T <sub>A</sub>  | Operating free-air temperature      | -40                              | 125                   | °C   |

- (1) All unused inputs of the device must be held at V<sub>CC</sub> or GND to ensure proper device operation. Refer to the TI application report, *Implications of Slow or Floating CMOS Inputs (SCBA004)*.

## 7.4 Thermal Information

| THERMAL METRIC <sup>(1)</sup> |  | SN74LV07A |         |         |         |         | UNIT |
|-------------------------------|--|-----------|---------|---------|---------|---------|------|
|                               |  | D         | DB      | DGV     | NS      | PW      |      |
|                               |  | 14 PINS   | 14 PINS | 14 PINS | 14 PINS | 14 PINS |      |
| R <sub>θJA</sub>              | Junction-to-ambient thermal resistance       | 100.6     | 112.5   | 135.2   | 95.4    | 128.7   | °C/W |
| R <sub>θJC(top)</sub>         | Junction-to-case (top) thermal resistance    | 51.8      | 65.0    | 57.9    | 52.9    | 57.2    |      |
| R <sub>θJB</sub>              | Junction-to-board thermal resistance         | 54.9      | 59.9    | 68.3    | 51.2    | 70.7    |      |
| ψ <sub>JT</sub>               | Junction-to-top characterization parameter   | 25.0      | 25.0    | 9.2     | 17.9    | 9.3     |      |
| ψ <sub>JB</sub>               | Junction-to-board characterization parameter | 54.7      | 59.3    | 67.6    | 53.8    | 70.0    |      |

(1) For more information about traditional and new thermal metrics, see the *IC Package Thermal Metrics* application report (SPRA953).

## 7.5 Electrical Characteristics

over recommended operating free-air temperature range (unless otherwise noted)

| PARAMETER        | TEST CONDITIONS  | V <sub>CC</sub> | SN74LV07A |     |      | –40°C to 125°C<br>SN74LV07A |     |      | UNIT |
|------------------|--|-----------------|-----------|-----|------|-----------------------------|-----|------|------|
|                  |  |                 | MIN       | TYP | MAX  | MIN                         | TYP | MAX  |      |
| V <sub>OL</sub>  | I <sub>OL</sub> = 50 μA  | 2 V to 5.5 V    |           |     | 0.1  |                             |     | 0.1  | V    |
|                  | I <sub>OL</sub> = 2 mA   | 2.3 V           |           |     | 0.4  |                             |     | 0.4  |      |
|                  | I <sub>OL</sub> = 8 mA   | 3 V             |           |     | 0.44 |                             |     | 0.44 |      |
|                  | I <sub>OL</sub> = 16 mA  | 4.5 V           |           |     | 0.55 |                             |     | 0.55 |      |
| I <sub>I</sub>   | V <sub>I</sub> = 5.5 V or GND  | 0 to 5.5 V      |           |     | ±1   |                             |     | ±1   | μA   |
| I <sub>OH</sub>  | V <sub>I</sub> = V <sub>IH</sub> , V <sub>OH</sub> = V <sub>CC</sub> | 5.5 V           |           |     | ±2.5 |                             |     | ±2.5 | μA   |
| I <sub>CC</sub>  | V <sub>I</sub> = V <sub>CC</sub> or GND, I <sub>O</sub> = 0          | 5.5 V           |           |     | 20   |                             |     | 20   | μA   |
| I <sub>off</sub> | V <sub>I</sub> or V <sub>O</sub> = 0 to 5.5 V                        | 0               |           |     | 5    |                             |     | 5    | μA   |
| C <sub>i</sub>   | V <sub>I</sub> = V <sub>CC</sub> or GND                              | 3.3 V           |           | 1.6 |      |                             | 1.6 |      | pF   |

## 7.6 Switching Characteristics, V<sub>CC</sub> = 2.5 V ± 0.2 V

over recommended operating free-air temperature range (unless otherwise noted) (see Figure 3)

| PARAMETER        | FROM (INPUT) | TO (OUTPUT) | LOAD CAPACITANCE       | T <sub>A</sub> = 25°C |                    |                     | SN74LV07A |     | –40°C to 125°C<br>SN74LV07A |     | UNIT |
|------------------|--------------|-------------|------------------------|-----------------------|--------------------|---------------------|-----------|-----|-----------------------------|-----|------|
|                  |              |             |                        | MIN                   | TYP                | MAX                 | MIN       | MAX | MIN                         | MAX |      |
| t <sub>PLH</sub> | A            | Y           | C <sub>L</sub> = 15 pF |                       | 6.6 <sup>(1)</sup> | 10.4 <sup>(1)</sup> | 1         | 13  | 1                           | 14  | ns   |
| t <sub>PHL</sub> | A            | Y           |                        |                       | 7.5 <sup>(1)</sup> | 10.4 <sup>(1)</sup> | 1         | 13  | 1                           | 14  |      |
| t <sub>PLH</sub> | A            | Y           | C <sub>L</sub> = 50 pF |                       | 11.1               | 15.2                | 1         | 18  | 1                           | 19  | ns   |
| t <sub>PHL</sub> | A            | Y           |                        |                       | 9.6                | 15.2                | 1         | 18  | 1                           | 19  |      |

(1) On products compliant to MIL-PRF-38535, this parameter is not production tested.

## 7.7 Switching Characteristics, V<sub>CC</sub> = 3.3 V ± 0.3 V

over recommended operating free-air temperature range (unless otherwise noted) (see Figure 3)

| PARAMETER        | FROM (INPUT) | TO (OUTPUT) | LOAD CAPACITANCE       | T <sub>A</sub> = 25°C |                  |                    | SN74LV07A |     | –40°C to 125°C<br>SN74LV07A |     | UNIT |
|------------------|--------------|-------------|------------------------|-----------------------|------------------|--------------------|-----------|-----|-----------------------------|-----|------|
|                  |              |             |                        | MIN                   | TYP              | MAX                | MIN       | MAX | MIN                         | MAX |      |
| t <sub>PLH</sub> | A            | Y           | C <sub>L</sub> = 15 pF |                       | 5 <sup>(1)</sup> | 7.1 <sup>(1)</sup> | 1         | 8.5 | 1                           | 9.5 | ns   |
| t <sub>PHL</sub> | A            | Y           |                        |                       | 5 <sup>(1)</sup> | 7.1 <sup>(1)</sup> | 1         | 8.5 | 1                           | 9.5 |      |
| t <sub>PLH</sub> | A            | Y           | C <sub>L</sub> = 50 pF |                       | 8.2              | 10.6               | 1         | 12  | 1                           | 13  | ns   |
| t <sub>PHL</sub> | A            | Y           |                        |                       | 6.6              | 10.6               | 1         | 12  | 1                           | 13  |      |

(1) On products compliant to MIL-PRF-38535, this parameter is not production tested.

## 7.8 Switching Characteristics, $V_{CC} = 5\text{ V} \pm 0.5\text{ V}$

 operating free-air temperature range (unless otherwise noted) (see [Figure 3](#))

| PARAMETER | FROM (INPUT) | TO (OUTPUT) | LOAD CAPACITANCE     | $T_A = 25^\circ\text{C}$ |                    |                    | SN74LV07A |     | $-40^\circ\text{C}$ to $125^\circ\text{C}$ SN74LV07A |     | UNIT |
|-----------|--------------|-------------|----------------------|--------------------------|--------------------|--------------------|-----------|-----|--|-----|------|
|           |              |             |                      | MIN                      | TYP                | MAX                | MIN       | MAX | MIN  | MAX |      |
| $t_{PLH}$ | A            | Y           | $C_L = 15\text{ pF}$ |                          | 3.8                | 5.5 <sup>(1)</sup> | 1         | 6.5 | 1  | 7.2 | ns   |
| $t_{PHL}$ | A            | Y           |                      |                          | 3.4 <sup>(1)</sup> | 5.5 <sup>(1)</sup> | 1         | 6.5 | 1  | 7.2 |      |
| $t_{PLH}$ | A            | Y           | $C_L = 50\text{ pF}$ |                          | 5.7                | 7.5                | 1         | 8.5 | 1  | 9.2 | ns   |
| $t_{PHL}$ | A            | Y           |                      |                          | 4.5                | 7.5                | 1         | 8.5 | 1  | 9.2 |      |

(1) On products compliant to MIL-PRF-38535, this parameter is not production tested.

## 7.9 Noise Characteristics<sup>(1)</sup>

 $V_{CC} = 3.3\text{ V}$ ,  $C_L = 50\text{ pF}$ ,  $T_A = 25^\circ\text{C}$ 

| PARAMETER   |  | MIN  | TYP  | MAX  | UNIT |
|-------------|--|------|------|------|------|
| $V_{OL(P)}$ | Quiet output, maximum dynamic $V_{OL}$ |      | 0.4  | 0.8  | V    |
| $V_{OL(V)}$ | Quiet output, minimum dynamic $V_{OL}$ |      | -0.1 | -0.8 | V    |
| $V_{OH(V)}$ | Quiet output, minimum dynamic $V_{OH}$ |      | 3.2  |      | V    |
| $V_{IH(D)}$ | High-level dynamic input voltage       | 2.31 |      |      | V    |
| $V_{IL(D)}$ | Low-level dynamic input voltage        |      |      | 0.99 | V    |

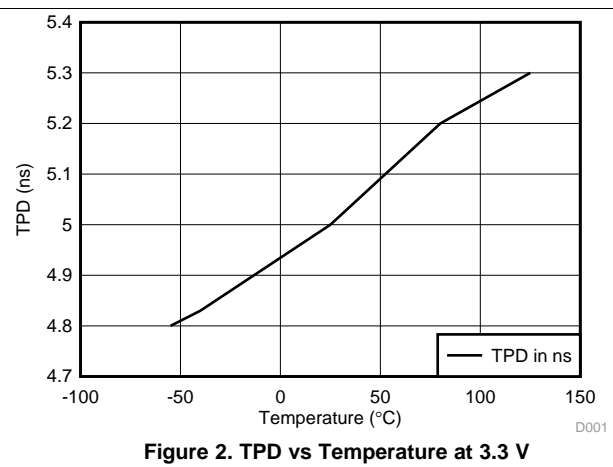
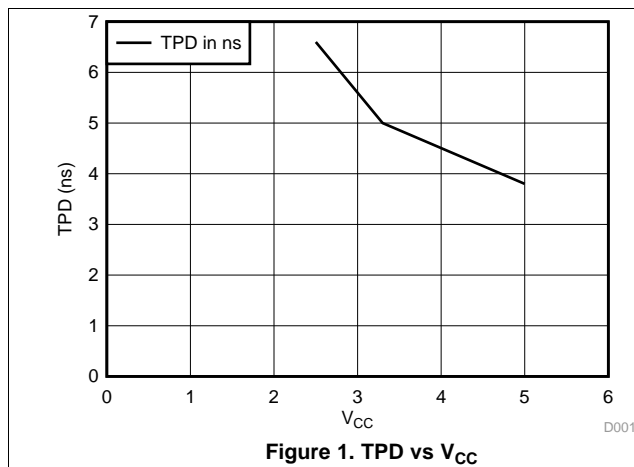
(1) Characteristics are for surface-mount packages only.

## 7.10 Operating Characteristics

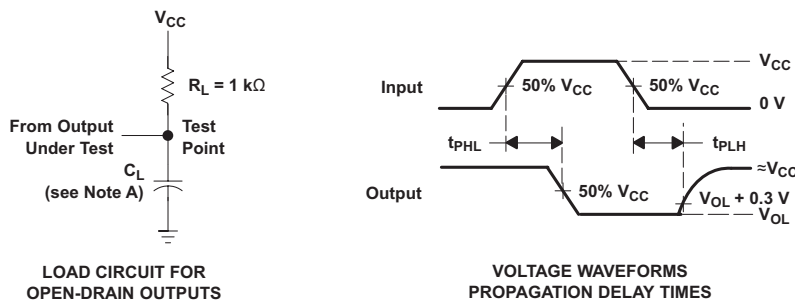
 $T_A = 25^\circ\text{C}$ 

| PARAMETER |                               | TEST CONDITIONS        |                     | $V_{CC}$ | TYP | UNIT |
|-----------|-------------------------------|------------------------|---------------------|----------|-----|------|
| $C_{pd}$  | Power dissipation capacitance | $C_L = 50\text{ pF}$ , | $f = 10\text{ MHz}$ | 3.3 V    | 2.9 | pF   |
|           |                               |                        |                     | 5 V      | 5.3 |      |

## 7.11 Typical Characteristics



## 8 Parameter Measurement Information



- A.  $C_L$  includes probe and jig capacitance.
- B. All input pulses are supplied by generators having the following characteristics:  $PRR \leq 1 \text{ MHz}$ ,  $Z_O = 50 \ \Omega$ ,  $t_r \leq 3 \text{ ns}$ ,  $t_f \leq 3 \text{ ns}$ .
- C. The outputs are measured one at a time, with one input transition per measurement.

Figure 3. Load Circuit and Voltage Waveforms

## 9 Detailed Description

### 9.1 Overview

The outputs of the SN74LV07A device are open drain and can be connected to other open-drain outputs to implement active-low wired-OR or active-high wired-AND functions. The maximum sink current is 16 mA at 5-V  $V_{CC}$ . Inputs can be driven from 2.5-V, 3.3-V, or 5-V (CMOS) devices. This feature allows the use of the SN74LV07A device as a translator in a mixed-system environment. This device is fully specified for partial power-down applications using  $I_{off}$ . The  $I_{off}$  circuitry disables the outputs, thus preventing a damaging current backflow through the device when it is powered down.

### 9.2 Functional Block Diagram



Figure 4. Logic Diagram, Each Buffer/Driver (Positive Logic)

### 9.3 Feature Description

- Wide operating voltage range
  - Operates from 2 V to 5.5 V
- Allows up or down voltage translation
  - Inputs and outputs accept voltages to 5.5 V
- $I_{off}$  feature
  - Allows voltages on the inputs and outputs when  $V_{CC}$  is 0 V

### 9.4 Device Functional Modes

Table 1. Function Table  
(Each Buffer/Driver)

| INPUT<br>A | OUTPUT<br>Y |
|------------|-------------|
| H          | H           |
| L          | L           |

## 10 Application and Implementation

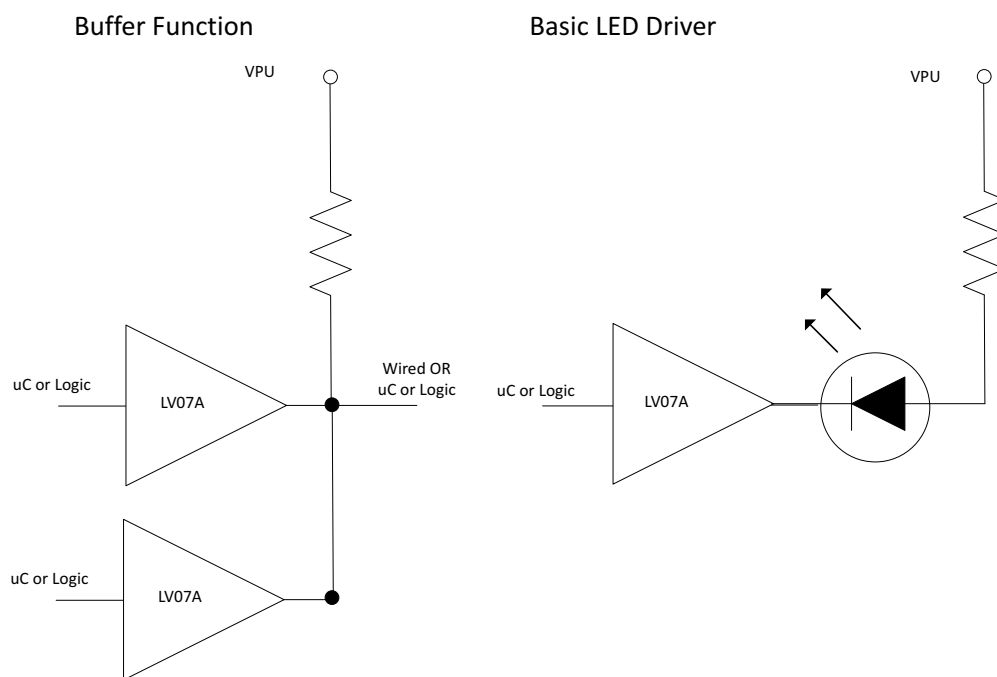
### NOTE

Information in the following applications sections is not part of the TI component specification, and TI does not warrant its accuracy or completeness. TI's customers are responsible for determining suitability of components for their purposes. Customers should validate and test their design implementation to confirm system functionality.

### 10.1 Application Information

The SN74LV07A device is a low drive, open-drain CMOS device that can be used for a multitude of buffer type functions. The inputs are 5.5-V tolerant. The outputs are open drain and 5.5-V tolerant; thus, allowing the device to translate up to 5.5 V or down to any other voltage between GND and 5.5 V.

### 10.2 Typical Application



**Figure 5. Typical Application Schematic**

#### 10.2.1 Design Requirements

This device uses CMOS technology and is open drain, so it has low output drive only. Care should be taken to avoid bus contention, because it can drive currents that would exceed maximum limits. Parallel output drive can create fast edges into light loads, so routing and load conditions should be considered to prevent ringing.

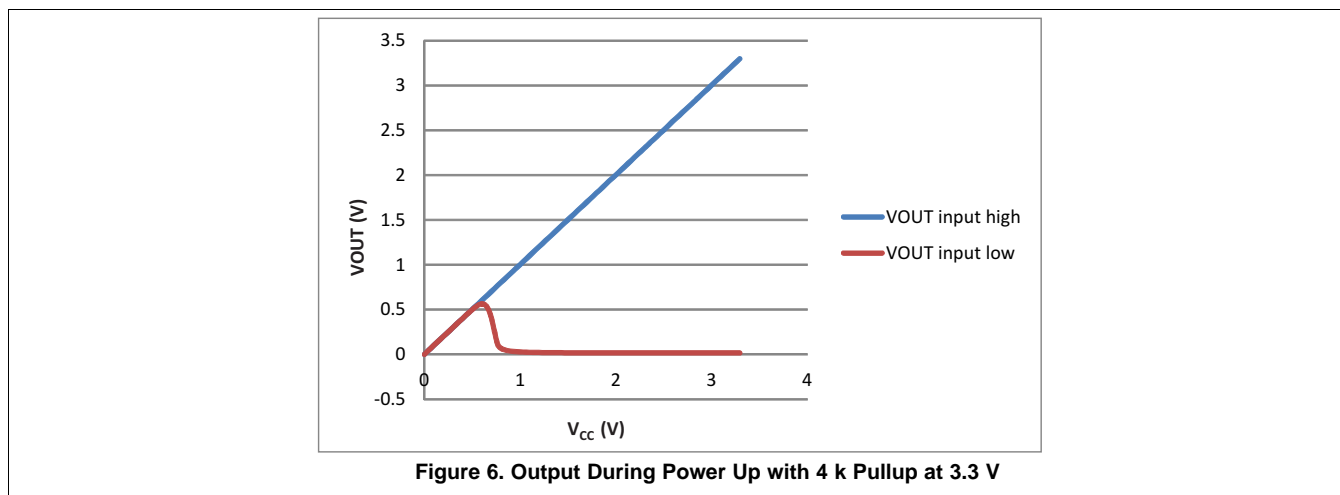
#### 10.2.2 Detailed Design Procedure

1. Recommended Input Conditions:
  - For rise time and fall time specifications, see  $\Delta t/\Delta V$  in the [Recommended Operating Conditions](#) table.
  - For specified high and low levels, see  $V_{IH}$  and  $V_{IL}$  in the [Recommended Operating Conditions](#) table.
  - Inputs are overvoltage tolerant allowing them to go as high as 5.5 V at any valid  $V_{CC}$ .
2. Recommended Output Conditions:
  - Load currents should not exceed 35 mA per output and 50 mA total for the part.



## Typical Application (continued)

### 10.2.3 Application Curves



## 11 Power Supply Recommendations

The power supply can be any voltage between the MIN and MAX supply voltage rating located in the [Recommended Operating Conditions](#). Each  $V_{CC}$  terminal should have a good bypass capacitor to prevent power disturbance. For devices with a single supply, 0.1  $\mu\text{F}$  is recommended. If there are multiple  $V_{CC}$  terminals then 0.01  $\mu\text{F}$  or 0.022  $\mu\text{F}$  is recommended for each power terminal. It is acceptable to parallel multiple bypass caps to reject different frequencies of noise. A 0.1  $\mu\text{F}$  and 1  $\mu\text{F}$  are commonly used in parallel. The bypass capacitor should be installed as close to the power terminal as possible for best results.

## 12 Layout

### 12.1 Layout Guidelines

When using multiple bit logic devices, inputs should not float. In many cases, functions or parts of functions of digital logic devices are unused. Some examples are when only two inputs of a triple-input AND gate are used, or when only 3 of the 4-buffer gates are used. Such input pins should not be left unconnected because the undefined voltages at the outside connections result in undefined operational states.

Specified in [Figure 7](#) are rules that must be observed under all circumstances. All unused inputs of digital logic devices must be connected to a high or low bias to prevent them from floating. The logic level that should be applied to any particular unused input depends on the function of the device. Generally they will be tied to GND or  $V_{CC}$ , whichever makes more sense or is more convenient. It is acceptable to float outputs unless the part is a transceiver.

### 12.2 Layout Example

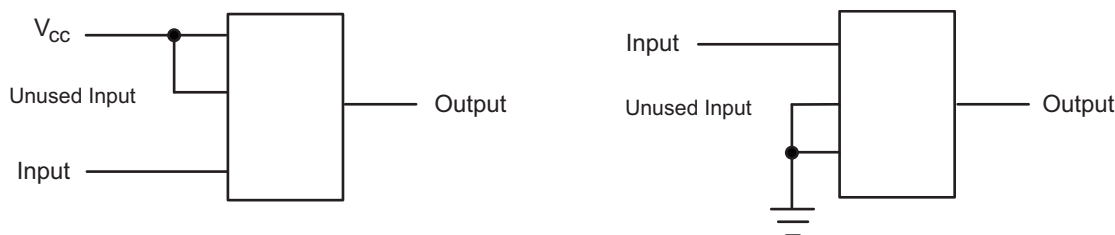


Figure 7. Layout Diagram

## 13 Device and Documentation Support

### 13.1 Related Links

The table below lists quick access links. Categories include technical documents, support and community resources, tools and software, and quick access to sample or buy.

**Table 2. Related Links**

| PARTS     | PRODUCT FOLDER             | SAMPLE & BUY               | TECHNICAL DOCUMENTS        | TOOLS & SOFTWARE           | SUPPORT & COMMUNITY        |
|-----------|----------------------------|----------------------------|----------------------------|----------------------------|----------------------------|
| SN74LV07A | <a href="#">Click here</a> | <a href="#">Click here</a> | <a href="#">Click here</a> | <a href="#">Click here</a> | <a href="#">Click here</a> |

### 13.2 Trademarks

All trademarks are the property of their respective owners.

### 13.3 Electrostatic Discharge Caution



These devices have limited built-in ESD protection. The leads should be shorted together or the device placed in conductive foam during storage or handling to prevent electrostatic damage to the MOS gates.

### 13.4 Glossary

[SLYZ022](#) — *TI Glossary*.

This glossary lists and explains terms, acronyms, and definitions.

## 14 Mechanical, Packaging, and Orderable Information

The following pages include mechanical, packaging, and orderable information. This information is the most current data available for the designated devices. This data is subject to change without notice and revision of this document. For browser-based versions of this data sheet, refer to the left-hand navigation.

**PACKAGING INFORMATION**

| Orderable Device | Status<br>(1) | Package Type | Package Drawing | Pins | Package Qty | Eco Plan<br>(2)         | Lead/Ball Finish<br>(6) | MSL Peak Temp<br>(3) | Op Temp (°C) | Device Marking<br>(4/5) | Samples                 |
|------------------|---------------|--------------|-----------------|------|-------------|-------------------------|-------------------------|----------------------|--------------|-------------------------|-------------------------|
| SN74LV07AD       | ACTIVE        | SOIC         | D               | 14   | 50          | Green (RoHS & no Sb/Br) | NIPDAU                  | Level-1-260C-UNLIM   | -40 to 125   | LV07A                   | <a href="#">Samples</a> |
| SN74LV07ADBR     | ACTIVE        | SSOP         | DB              | 14   | 2000        | Green (RoHS & no Sb/Br) | NIPDAU                  | Level-1-260C-UNLIM   | -40 to 125   | LV07A                   | <a href="#">Samples</a> |
| SN74LV07ADG4     | ACTIVE        | SOIC         | D               | 14   | 50          | Green (RoHS & no Sb/Br) | NIPDAU                  | Level-1-260C-UNLIM   | -40 to 125   | LV07A                   | <a href="#">Samples</a> |
| SN74LV07ADGVR    | ACTIVE        | TVSOP        | DGV             | 14   | 2000        | Green (RoHS & no Sb/Br) | NIPDAU                  | Level-1-260C-UNLIM   | -40 to 125   | LV07A                   | <a href="#">Samples</a> |
| SN74LV07ADR      | ACTIVE        | SOIC         | D               | 14   | 2500        | Green (RoHS & no Sb/Br) | NIPDAU                  | Level-1-260C-UNLIM   | -40 to 125   | LV07A                   | <a href="#">Samples</a> |
| SN74LV07ADRG4    | ACTIVE        | SOIC         | D               | 14   | 2500        | Green (RoHS & no Sb/Br) | NIPDAU                  | Level-1-260C-UNLIM   | -40 to 125   | LV07A                   | <a href="#">Samples</a> |
| SN74LV07ANS      | ACTIVE        | SO           | NS              | 14   | 50          | Green (RoHS & no Sb/Br) | NIPDAU                  | Level-1-260C-UNLIM   |              | 74LV07A                 | <a href="#">Samples</a> |
| SN74LV07ANSR     | ACTIVE        | SO           | NS              | 14   | 2000        | Green (RoHS & no Sb/Br) | NIPDAU                  | Level-1-260C-UNLIM   | -40 to 125   | 74LV07A                 | <a href="#">Samples</a> |
| SN74LV07APW      | ACTIVE        | TSSOP        | PW              | 14   | 90          | Green (RoHS & no Sb/Br) | NIPDAU                  | Level-1-260C-UNLIM   | -40 to 125   | LV07A                   | <a href="#">Samples</a> |
| SN74LV07APWG4    | ACTIVE        | TSSOP        | PW              | 14   | 90          | Green (RoHS & no Sb/Br) | NIPDAU                  | Level-1-260C-UNLIM   | -40 to 125   | LV07A                   | <a href="#">Samples</a> |
| SN74LV07APWR     | ACTIVE        | TSSOP        | PW              | 14   | 2000        | Green (RoHS & no Sb/Br) | NIPDAU   SN             | Level-1-260C-UNLIM   | -40 to 125   | LV07A                   | <a href="#">Samples</a> |
| SN74LV07APWRG3   | ACTIVE        | TSSOP        | PW              | 14   | 2000        | Green (RoHS & no Sb/Br) | SN                      | Level-1-260C-UNLIM   | -40 to 125   | LV07A                   | <a href="#">Samples</a> |
| SN74LV07APWRG4   | ACTIVE        | TSSOP        | PW              | 14   | 2000        | Green (RoHS & no Sb/Br) | NIPDAU                  | Level-1-260C-UNLIM   | -40 to 125   | LV07A                   | <a href="#">Samples</a> |
| SN74LV07APWT     | ACTIVE        | TSSOP        | PW              | 14   | 250         | Green (RoHS & no Sb/Br) | NIPDAU                  | Level-1-260C-UNLIM   | -40 to 125   | LV07A                   | <a href="#">Samples</a> |
| SN74LV07APWTG4   | ACTIVE        | TSSOP        | PW              | 14   | 250         | Green (RoHS & no Sb/Br) | NIPDAU                  | Level-1-260C-UNLIM   | -40 to 125   | LV07A                   | <a href="#">Samples</a> |

(1) The marketing status values are defined as follows:

**ACTIVE:** Product device recommended for new designs.

**LIFEBUY:** TI has announced that the device will be discontinued, and a lifetime-buy period is in effect.

**NRND:** Not recommended for new designs. Device is in production to support existing customers, but TI does not recommend using this part in a new design.

---

**PREVIEW:** Device has been announced but is not in production. Samples may or may not be available.

**OBSELETE:** TI has discontinued the production of the device.

<sup>(2)</sup> **RoHS:** TI defines "RoHS" to mean semiconductor products that are compliant with the current EU RoHS requirements for all 10 RoHS substances, including the requirement that RoHS substance do not exceed 0.1% by weight in homogeneous materials. Where designed to be soldered at high temperatures, "RoHS" products are suitable for use in specified lead-free processes. TI may reference these types of products as "Pb-Free".

**RoHS Exempt:** TI defines "RoHS Exempt" to mean products that contain lead but are compliant with EU RoHS pursuant to a specific EU RoHS exemption.

**Green:** TI defines "Green" to mean the content of Chlorine (Cl) and Bromine (Br) based flame retardants meet JS709B low halogen requirements of  $\leq 1000$ ppm threshold. Antimony trioxide based flame retardants must also meet the  $\leq 1000$ ppm threshold requirement.

<sup>(3)</sup> MSL, Peak Temp. - The Moisture Sensitivity Level rating according to the JEDEC industry standard classifications, and peak solder temperature.

<sup>(4)</sup> There may be additional marking, which relates to the logo, the lot trace code information, or the environmental category on the device.

<sup>(5)</sup> Multiple Device Markings will be inside parentheses. Only one Device Marking contained in parentheses and separated by a "~" will appear on a device. If a line is indented then it is a continuation of the previous line and the two combined represent the entire Device Marking for that device.

<sup>(6)</sup> Lead/Ball Finish - Orderable Devices may have multiple material finish options. Finish options are separated by a vertical ruled line. Lead/Ball Finish values may wrap to two lines if the finish value exceeds the maximum column width.

**Important Information and Disclaimer:** The information provided on this page represents TI's knowledge and belief as of the date that it is provided. TI bases its knowledge and belief on information provided by third parties, and makes no representation or warranty as to the accuracy of such information. Efforts are underway to better integrate information from third parties. TI has taken and continues to take reasonable steps to provide representative and accurate information but may not have conducted destructive testing or chemical analysis on incoming materials and chemicals. TI and TI suppliers consider certain information to be proprietary, and thus CAS numbers and other limited information may not be available for release.

In no event shall TI's liability arising out of such information exceed the total purchase price of the TI part(s) at issue in this document sold by TI to Customer on an annual basis.

**TAPE AND REEL INFORMATION**

**QUADRANT ASSIGNMENTS FOR PIN 1 ORIENTATION IN TAPE**


\*All dimensions are nominal

| Device         | Package Type | Package Drawing | Pins | SPQ  | Reel Diameter (mm) | Reel Width W1 (mm) | A0 (mm) | B0 (mm) | K0 (mm) | P1 (mm) | W (mm) | Pin1 Quadrant |
|----------------|--------------|-----------------|------|------|--------------------|--------------------|---------|---------|---------|---------|--------|---------------|
| SN74LV07ADGVR  | TVSOP        | DGV             | 14   | 2000 | 330.0              | 12.4               | 6.8     | 4.0     | 1.6     | 8.0     | 12.0   | Q1            |
| SN74LV07ADR    | SOIC         | D               | 14   | 2500 | 330.0              | 16.4               | 6.5     | 9.0     | 2.1     | 8.0     | 16.0   | Q1            |
| SN74LV07APWR   | TSSOP        | PW              | 14   | 2000 | 330.0              | 12.4               | 6.9     | 5.6     | 1.6     | 8.0     | 12.0   | Q1            |
| SN74LV07APWR   | TSSOP        | PW              | 14   | 2000 | 330.0              | 12.4               | 6.9     | 5.6     | 1.6     | 8.0     | 12.0   | Q1            |
| SN74LV07APWRG3 | TSSOP        | PW              | 14   | 2000 | 330.0              | 12.4               | 6.9     | 5.6     | 1.6     | 8.0     | 12.0   | Q1            |
| SN74LV07APWRG4 | TSSOP        | PW              | 14   | 2000 | 330.0              | 12.4               | 6.9     | 5.6     | 1.6     | 8.0     | 12.0   | Q1            |
| SN74LV07APWT   | TSSOP        | PW              | 14   | 250  | 330.0              | 12.4               | 6.9     | 5.6     | 1.6     | 8.0     | 12.0   | Q1            |

**TAPE AND REEL BOX DIMENSIONS**


\*All dimensions are nominal

| Device         | Package Type | Package Drawing | Pins | SPQ  | Length (mm) | Width (mm) | Height (mm) |
|----------------|--------------|-----------------|------|------|-------------|------------|-------------|
| SN74LV07ADGVR  | TVSOP        | DGV             | 14   | 2000 | 367.0       | 367.0      | 35.0        |
| SN74LV07ADR    | SOIC         | D               | 14   | 2500 | 367.0       | 367.0      | 38.0        |
| SN74LV07APWR   | TSSOP        | PW              | 14   | 2000 | 367.0       | 367.0      | 35.0        |
| SN74LV07APWR   | TSSOP        | PW              | 14   | 2000 | 364.0       | 364.0      | 27.0        |
| SN74LV07APWRG3 | TSSOP        | PW              | 14   | 2000 | 364.0       | 364.0      | 27.0        |
| SN74LV07APWRG4 | TSSOP        | PW              | 14   | 2000 | 367.0       | 367.0      | 35.0        |
| SN74LV07APWT   | TSSOP        | PW              | 14   | 250  | 367.0       | 367.0      | 35.0        |

## MECHANICAL DATA

**NS (R-PDSO-G\*\*)**

**PLASTIC SMALL-OUTLINE PACKAGE**

**14-PINS SHOWN**



- NOTES:
- A. All linear dimensions are in millimeters.
  - B. This drawing is subject to change without notice.
  - C. Body dimensions do not include mold flash or protrusion, not to exceed 0,15.

DGV (R-PDSO-G\*\*)

PLASTIC SMALL-OUTLINE

24 PINS SHOWN



- NOTES: A. All linear dimensions are in millimeters.  
 B. This drawing is subject to change without notice.  
 C. Body dimensions do not include mold flash or protrusion, not to exceed 0,15 per side.  
 D. Falls within JEDEC: 24/48 Pins – MO-153  
 14/16/20/56 Pins – MO-194



D (R-PDSO-G14)

PLASTIC SMALL OUTLINE



- NOTES:
- A. All linear dimensions are in inches (millimeters).
  - B. This drawing is subject to change without notice.
  -  Body length does not include mold flash, protrusions, or gate burrs. Mold flash, protrusions, or gate burrs shall not exceed 0.006 (0,15) each side.
  -  Body width does not include interlead flash. Interlead flash shall not exceed 0.017 (0,43) each side.
  - E. Reference JEDEC MS-012 variation AB.

D (R-PDSO-G14)

PLASTIC SMALL OUTLINE



- NOTES:
- A. All linear dimensions are in millimeters.
  - B. This drawing is subject to change without notice.
  - C. Publication IPC-7351 is recommended for alternate designs.
  - D. Laser cutting apertures with trapezoidal walls and also rounding corners will offer better paste release. Customers should contact their board assembly site for stencil design recommendations. Refer to IPC-7525 for other stencil recommendations.
  - E. Customers should contact their board fabrication site for solder mask tolerances between and around signal pads.

PW (R-PDSO-G14)

PLASTIC SMALL OUTLINE



- NOTES:
- A. All linear dimensions are in millimeters. Dimensioning and tolerancing per ASME Y14.5M-1994.
  - B. This drawing is subject to change without notice.
  - C. Body length does not include mold flash, protrusions, or gate burrs. Mold flash, protrusions, or gate burrs shall not exceed 0,15 each side.
  - D. Body width does not include interlead flash. Interlead flash shall not exceed 0,25 each side.
  - E. Falls within JEDEC MO-153

PW (R-PDSO-G14)

PLASTIC SMALL OUTLINE



- NOTES:
- All linear dimensions are in millimeters.
  - This drawing is subject to change without notice.
  - Publication IPC-7351 is recommended for alternate designs.
  - Laser cutting apertures with trapezoidal walls and also rounding corners will offer better paste release. Customers should contact their board assembly site for stencil design recommendations. Refer to IPC-7525 for other stencil recommendations.
  - Customers should contact their board fabrication site for solder mask tolerances between and around signal pads.

DB (R-PDSO-G\*\*)

PLASTIC SMALL-OUTLINE

28 PINS SHOWN



- NOTES: A. All linear dimensions are in millimeters.  
 B. This drawing is subject to change without notice.  
 C. Body dimensions do not include mold flash or protrusion not to exceed 0,15.  
 D. Falls within JEDEC MO-150

## IMPORTANT NOTICE AND DISCLAIMER

TI PROVIDES TECHNICAL AND RELIABILITY DATA (INCLUDING DATASHEETS), DESIGN RESOURCES (INCLUDING REFERENCE DESIGNS), APPLICATION OR OTHER DESIGN ADVICE, WEB TOOLS, SAFETY INFORMATION, AND OTHER RESOURCES "AS IS" AND WITH ALL FAULTS, AND DISCLAIMS ALL WARRANTIES, EXPRESS AND IMPLIED, INCLUDING WITHOUT LIMITATION ANY IMPLIED WARRANTIES OF MERCHANTABILITY, FITNESS FOR A PARTICULAR PURPOSE OR NON-INFRINGEMENT OF THIRD PARTY INTELLECTUAL PROPERTY RIGHTS.

These resources are intended for skilled developers designing with TI products. You are solely responsible for (1) selecting the appropriate TI products for your application, (2) designing, validating and testing your application, and (3) ensuring your application meets applicable standards, and any other safety, security, or other requirements. These resources are subject to change without notice. TI grants you permission to use these resources only for development of an application that uses the TI products described in the resource. Other reproduction and display of these resources is prohibited. No license is granted to any other TI intellectual property right or to any third party intellectual property right. TI disclaims responsibility for, and you will fully indemnify TI and its representatives against, any claims, damages, costs, losses, and liabilities arising out of your use of these resources.

TI's products are provided subject to TI's Terms of Sale ([www.ti.com/legal/termsofsale.html](http://www.ti.com/legal/termsofsale.html)) or other applicable terms available either on [ti.com](http://ti.com) or provided in conjunction with such TI products. TI's provision of these resources does not expand or otherwise alter TI's applicable warranties or warranty disclaimers for TI products.

Mailing Address: Texas Instruments, Post Office Box 655303, Dallas, Texas 75265  
Copyright © 2020, Texas Instruments Incorporated