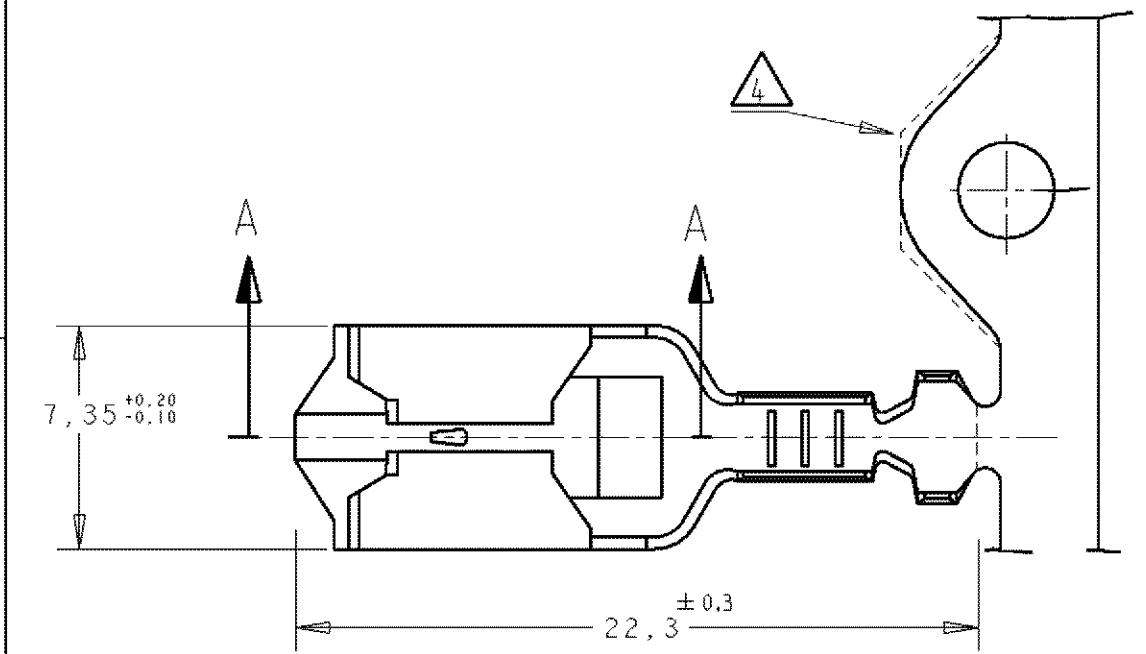
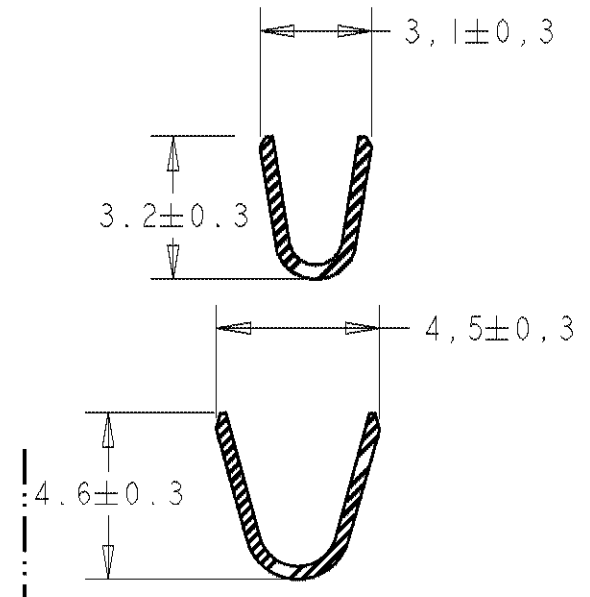
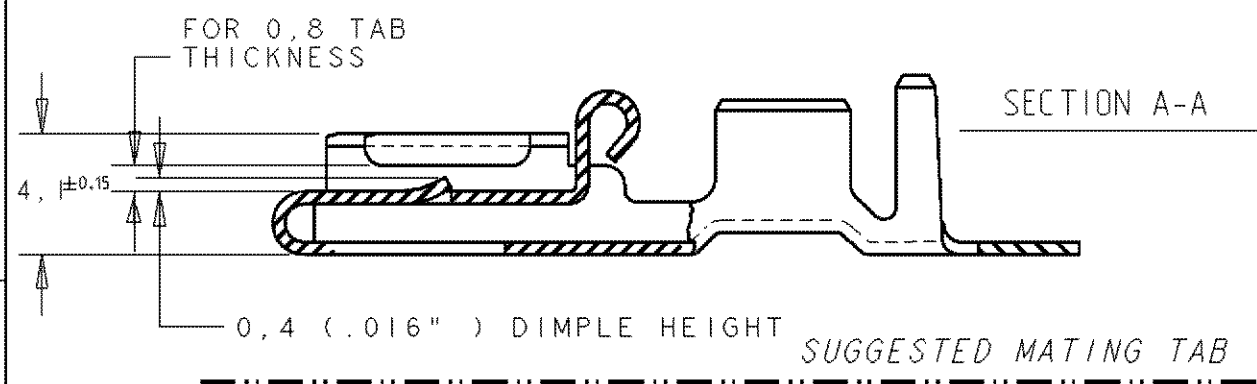
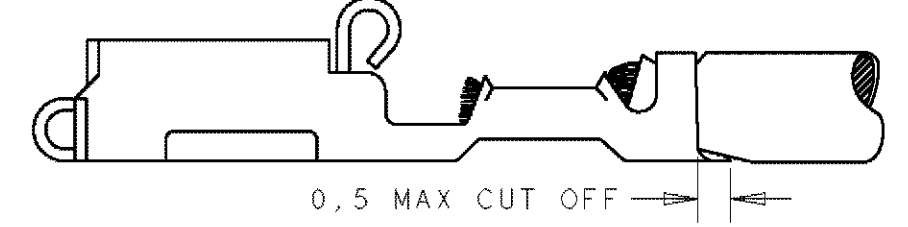


THIS DRAWING IS UNPUBLISHED. RELEASED FOR PUBLICATION 20  
 © COPYRIGHT 20 BY TYCO ELECTRONICS CORPORATION. ALL RIGHTS RESERVED.

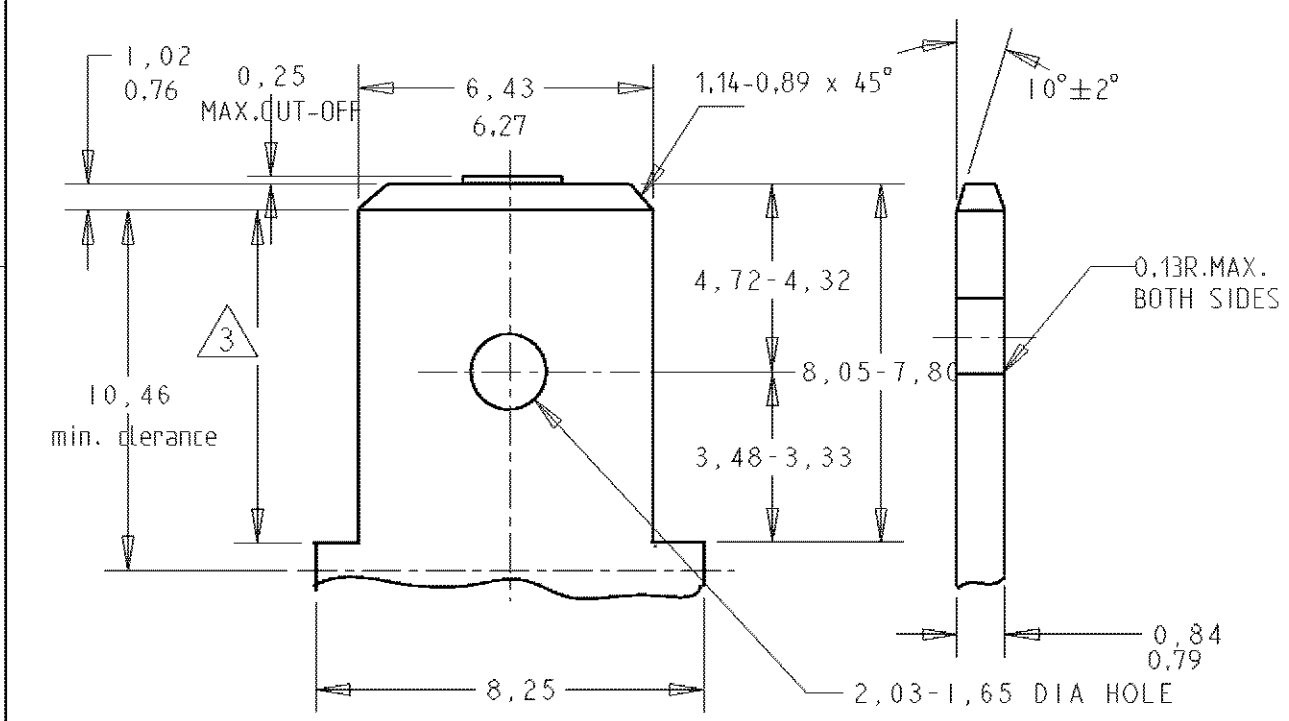
| LOC | DIST | REVISIONS   |                              |           |           |
|-----|------|-------------|------------------------------|-----------|-----------|
| P   | LTR  | DESCRIPTION | DATE                         | DWN       | APVD      |
| AL  | 2    | AC          | REVISED BY ES00-0040-02      | 02APR02   | J.L J.L   |
|     |      | AD          | REVISED BY ES00-05-0095      | 14/DEC/05 | J.L JL    |
|     |      | AD1         | REVISED PER ECO-10-000444    | 09JAN10   | KK AEG    |
|     |      | AD2         | ECR-10-009742                | 29JUN10   | RK SRE    |
|     |      | AD3         | ADDED NEW DASH 3-160759-4    | 22MAR11   | J.S. L.B. |
|     |      | AD4         | UPDATED TE CONNECTIVITY LOGO | 04APR2011 | J.S. L.B. |



- NOTES:
- 1 FOR USE ON STANDARD APPLICATOR (RIGHT-LEFT FEED)
  - 2 FOR USE ON MINIATURE APPLICATOR (LEFT-RIGHT FEED)
  - 3 FOR USE ON MINIATURE APPLICATOR (LEFT-RIGHT FEED) AMPOMATOR APPLICATION.
  - 4 CONFIGURATION OF CARRIER-STRIP OPTIONAL
  - 5 OBSOLETE PARTS: OBSOLETE CIS STREAMLINING PER D.RENAUD/D.SINISI



- 1- MATL. 1/2H BRASS OR NICKEL PL. STEEL.
- 2- NO BURRS PERMISSIBLE AT HOLE
- 3- MUST BE FLAT WITHIN 0.076 OVER THIS LENG.
- 4- TIN PLATING IS REQUIRED ON BRASS WHEN TERMINAL TEM. IS OVER 225°F
- 5- HOLE MUST BE SYMETRICAL ABOUT TAB  $\phi$  WITHIN 0.076



| FINISH                          | MATERIAL      | PARTNUMBER |
|---------------------------------|---------------|------------|
| UNPLATED & DEGREASED            | NICKEL SILVER | 3-160759-4 |
| UNPLATED                        | NICKEL SILVER | 3-160759-3 |
| OBSELETE UNPLATED               | NICKEL SILVER | 3-160759-3 |
| TIN PLATED                      | PH.BRONZE     | 3-160759-0 |
| UNPLATED                        | NICKEL SILVER | 2-160759-9 |
| OBSELETE HOT DIP PRETIN.        | PH.BRONZE     | 2-160759-8 |
| SUPERSEDED BY 160759-4 TIN-LEAD | PH.BRONZE     | 2-160759-7 |
| OBSELETE SILVERPLATED           | BRASS         | 2-160759-6 |
| OBSELETE UNPLATED               | BRASS         | 2-160759-5 |
| OBSELETE HOT DIP PRETIN.        | BRASS         | 2-160759-4 |
| TIN PLATED                      | BRASS         | 2-160759-3 |
| NICKEL PLATED                   | PH.BRONZE     | 2-160759-2 |
| NICKEL PLATED                   | PH.BRONZE     | 2-160759-1 |
| OBSELETE SILVERPLATED           | PH.BRONZE     | 2-160759-0 |
| SILVERPLATED                    | PH.BRONZE     | 1-160759-9 |
| HOT DIP PRETIN.                 | PH.BRONZE     | 1-160759-4 |
| OBSELETE HOT DIP PRETIN.        | BRASS         | 1-160759-3 |
| HOT DIP PRETIN.                 | PH.BRONZE     | 1-160759-2 |
| HOT DIP PRETIN.                 | BRASS         | 1-160759-1 |
| OBSELETE PRETINNED              | PH.BRONZE     | 1-160759-0 |
| OBSELETE TIN PLATED             | PH.BRONZE     | 0-160759-9 |
| OBSELETE TIN PLATED             | BRASS         | 0-160759-8 |
| UNPLATED                        | PH.BRONZE     | 0-160759-7 |
| UNPLATED                        | BRASS         | 0-160759-6 |
| OBSELETE PRETINNED              | PH.BRONZE     | 0-160759-5 |
| TIN PLATED                      | PH.BRONZE     | 0-160759-4 |
| TIN PLATED                      | BRASS         | 0-160759-3 |
| UNPLATED                        | PH.BRONZE     | 0-160759-2 |
| UNPLATED                        | BRASS         | 0-160759-1 |

THIS DRAWING IS A CONTROLLED DOCUMENT FOR TYCO ELECTRONICS CORPORATION IT IS SUBJECT TO CHANGE AND THE CONTROLLING ENGINEERING ORGANIZATION SHOULD BE CONTACTED FOR THE LATEST REVISION.

|             |  |
|-------------|--|
| DIMENSIONS: | TOLERANCES UNLESS OTHERWISE SPECIFIED: |
| mm          | 0 PLC ±                                |
|             | 1 PLC ±                                |
|             | 2 PLC ±0,3 GENERAL                     |
|             | 3 PLC ±                                |
|             | 4 PLC ±                                |
|             | ANGLES ±                               |
| MATERIAL    | FINISH                                 |
| SEE TABLE   | SEE TABLE                              |

|  |           |               |  |
|--|-----------|---------------|--|
| DWN  | J.Z       | 16-11-95      |  |
| CHR  | A. BIJNEN | 17-11-95      |  |
| APVD   | -         | -             |  |
| PRODUCT SPEC<br>108-3017<br>APPLICATION SPEC |           |               | NAME<br>POSITIVE LOCK REC.<br>.250 (6,35) SERIES |
| WEIGHT                                       | -         | SIZE          | A3   |
| CUSTOMER DRAWING                             | SCALE     | CAGE CODE     | 00779  |
|  | SHEET     | DRAWING NO    | C-160759   |
|  | OF        | RESTRICTED TO | -  |
|  | REV       |               | AD4  |

# Mouser Electronics

Authorized Distributor

Click to View Pricing, Inventory, Delivery & Lifecycle Information:

[TE Connectivity:](#)

[160759-4 \(Cut Strip\)](#)