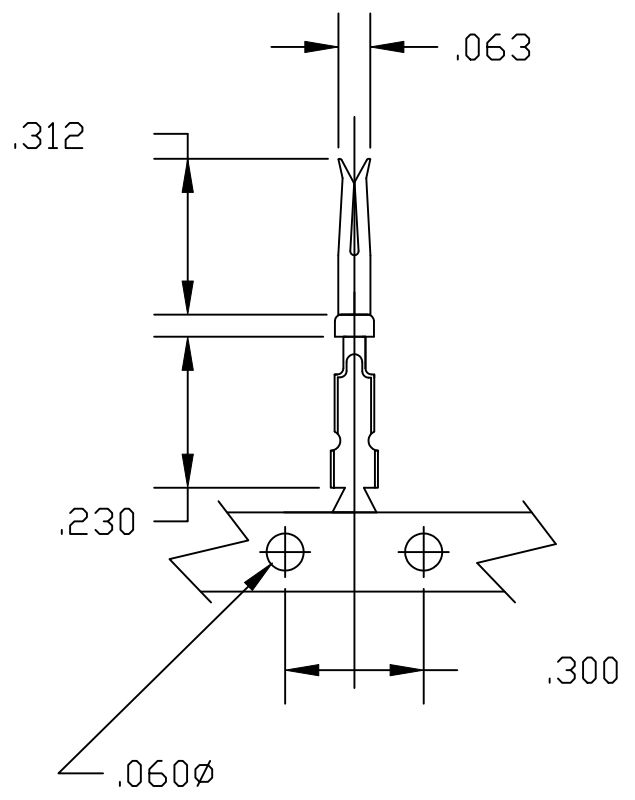


DESCRIPTION:

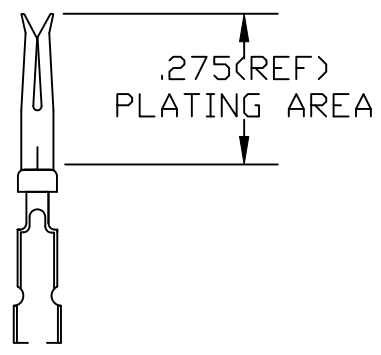


MATERIAL: BRASS
 RoHS COMPLIANT

WIRE SIZE: 24-28 AWG

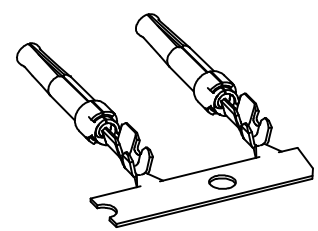
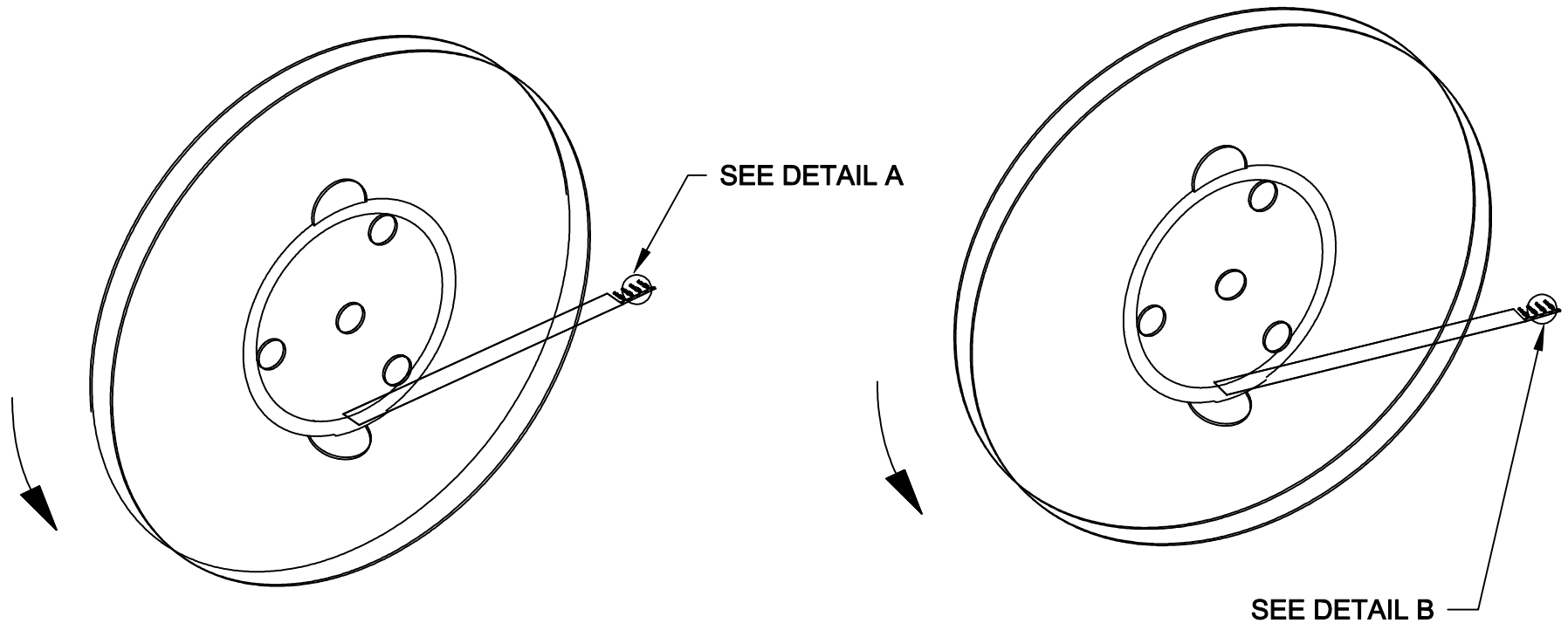
NOTE #1: CONTACTS SUPPLIED ON 10,000 PC REEL
 NOTE #2: RECOMMENDED MAX. INSULATION DIAMETER FOR 24-28 AWG IS .035".

GOLD PLATING THICKNESS IS BETWEEN 1µ" AND 1.5µ"

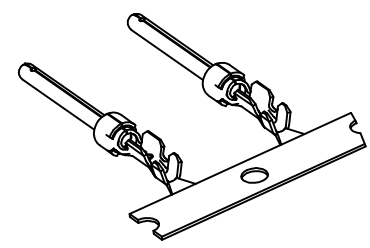


PLATING:	WIRE SIZE
	24-28
GOLD FLASH ON MATING AREA NICKEL ON WIRE CRIMP	170-002-170L001
.000010" GOLD OVER .000050" NICKEL ENTIRE CONTACT	170-002-170L002
.000030" GOLD OVER .000100" NICKEL ENTIRE CONTACT	170-002-170L003


	THESE DRAWINGS AND SPECIFICATIONS ARE THE PROPERTY OF NorComp AND SHALL NOT BE REPRODUCED, COPIED OR USED AS THE BASIS FOR THE MANUFACTURE OF SALE OF APPARATUS WITHOUT WRITTEN PERMISSION.		DRAWN: PAM JENKINS	DATE: 5-28-02
			CHECKED:	DATE:
NorComp		SCALE:	SHEET 1 OF 2	REV 3
		DWG NO. 170-002-170L00Y		



DETAIL A



DETAIL B

	THESE DRAWINGS AND SPECIFICATIONS ARE THE PROPERTY OF NorComp AND SHALL NOT BE REPRODUCED, COPIED OR USED AS THE BASIS FOR THE MANUFACTURE OF SALE OF APPARATUS WITHOUT WRITTEN PERMISSION.		DRAWN: PAM JENKINS	DATE: 5-28-02
	<h1>NorComp</h1>		CHECKED:	DATE:
SCALE:			SHEET 2 OF 2	REV 3
			DWG NO. 170-002-170L00Y	

Mouser Electronics

Authorized Distributor

Click to View Pricing, Inventory, Delivery & Lifecycle Information:

[NorComp:](#)

[170-002-170L001](#) [170-002-170L002](#)