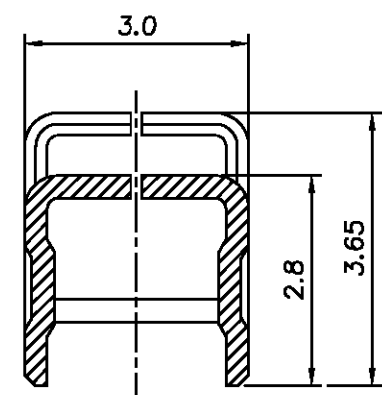
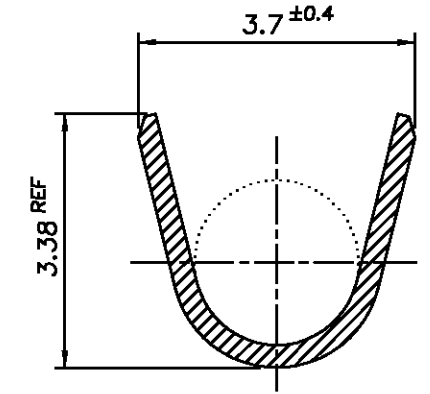
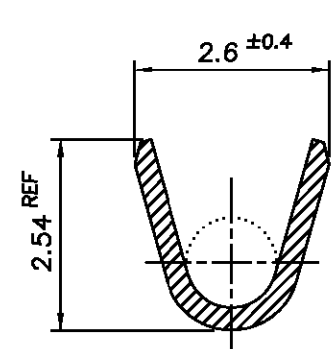
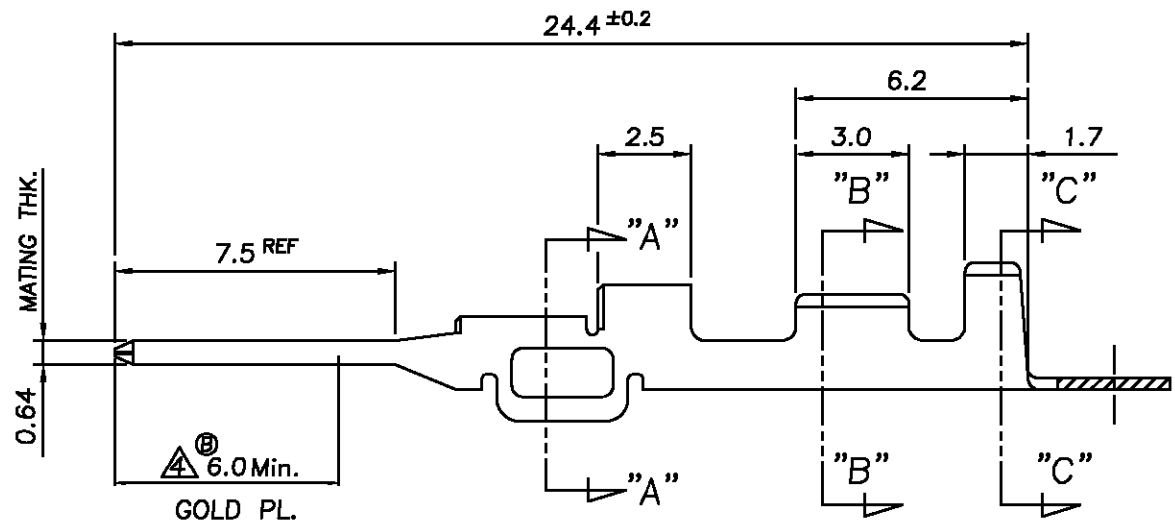
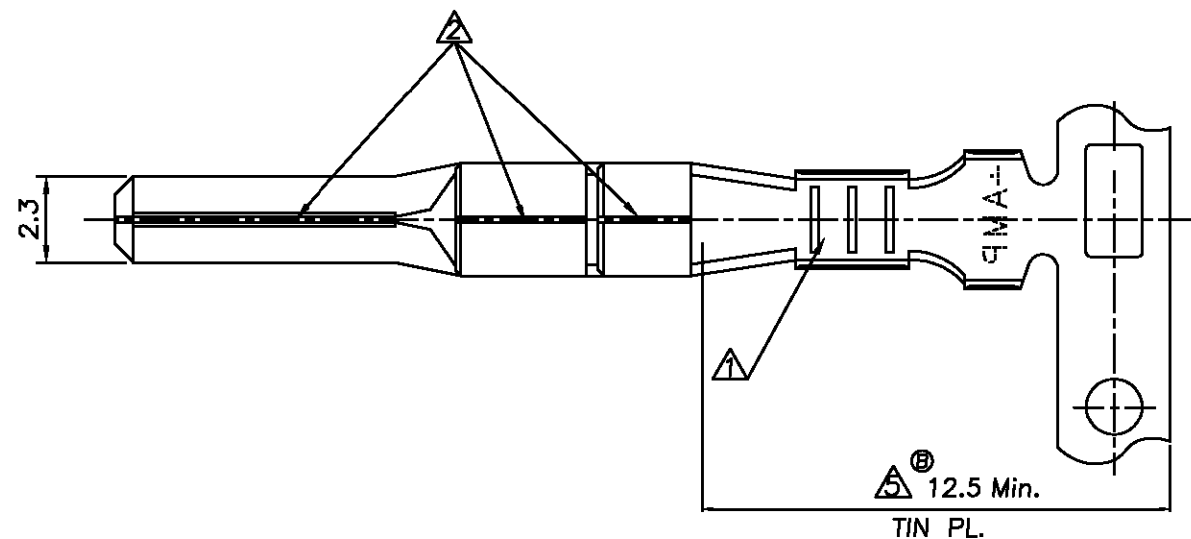


LOC	DIST	REVISIONS					
		P	LTR	DESCRIPTION	DATE	DWN	APVD
DS			O	RELEASED (PER RD97-246)	21/NOV/97	YM	CS
			A	REVISED (PER RD98-064)	16/MAR/98	YM	CS
			B	REDRAWN W/CHANGE (FC00-0065-04)	08/APR/04	JG	CS



* NOTES
 ▲ THREE SERRATIONS CENTERED IN WIRE BARREL.
 ▲ 0.15 MAX GAP PERMISSIBLE.
 3 WIRE SIZE EQUIV CAVUS 0.3 ~ AVS 0.5 sqmm.

▲ SELECTIVE GOLD PRE-TINNED FINISH	BRASS STRIP 0.30THK.	1- 368088 -1 © 368088 -1
	MATERIAL	PART NUMBER

DIMENSIONS: mm TOLERANCES UNLESS OTHERWISE SPECIFIED: 0 <XX<10 ± 0.2 10 <XX<30 ± 0.25 ANGLES ± 3°		DWN: JG MOON CHK: BM JANG APVD: CS LEE PRODUCT SPEC 108-61021 APPLICATION SPEC 114-61004 WEIGHT NET; 0.33gf		tyco Electronics AMP KOREA, kyungsan, korea .090 II MLC TAB CONTACT	
3rd ANGLE PROJECTION		MATERIAL FINISH		SIZE CAGE CODE DRAWING NO RESTRICTED TO A3 00779 C= 3 6 8 0 8 8	
		SCALE 5/1 SHEET 1 OF 1 REV B			

Mouser Electronics

Authorized Distributor

Click to View Pricing, Inventory, Delivery & Lifecycle Information:

[TE Connectivity:](#)

[1-368088-1](#)