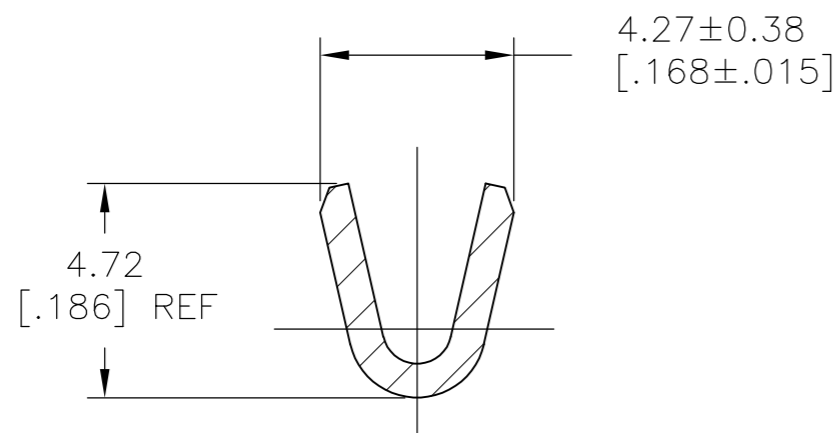
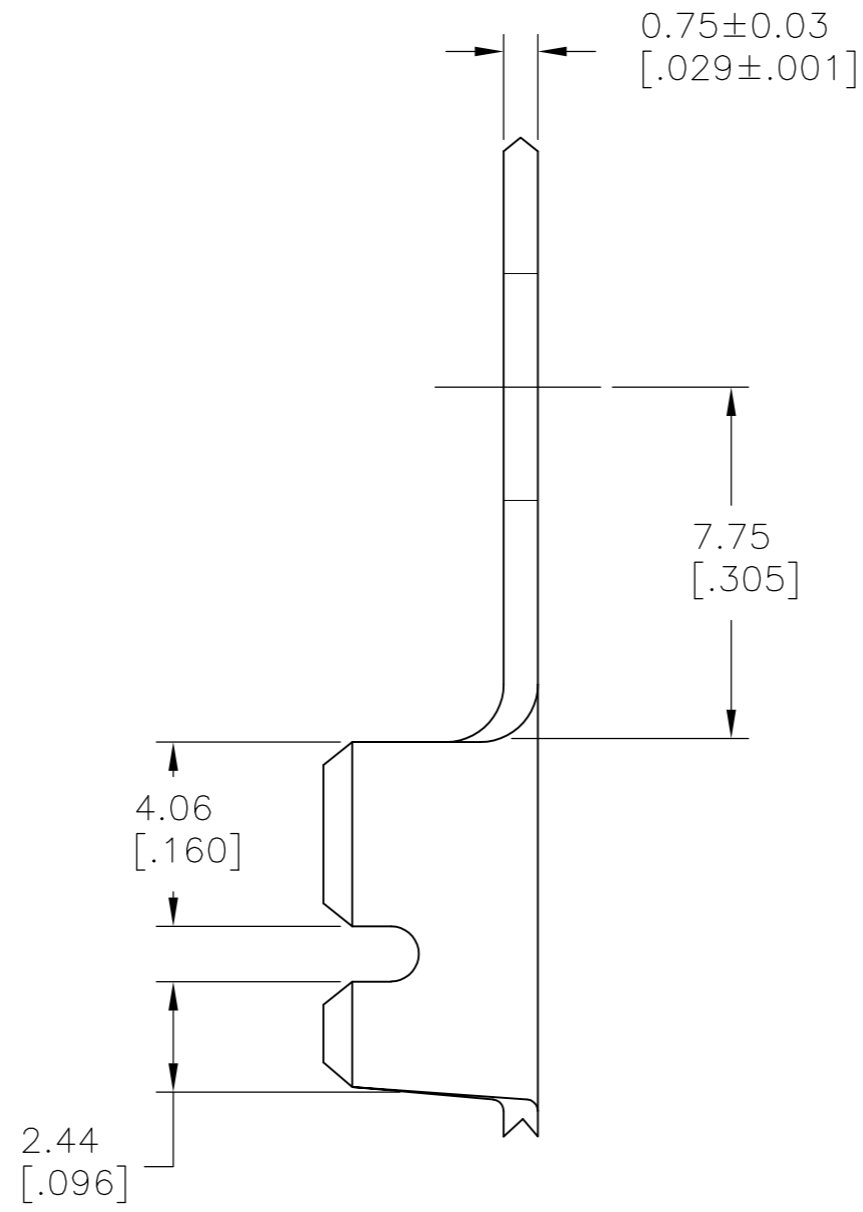
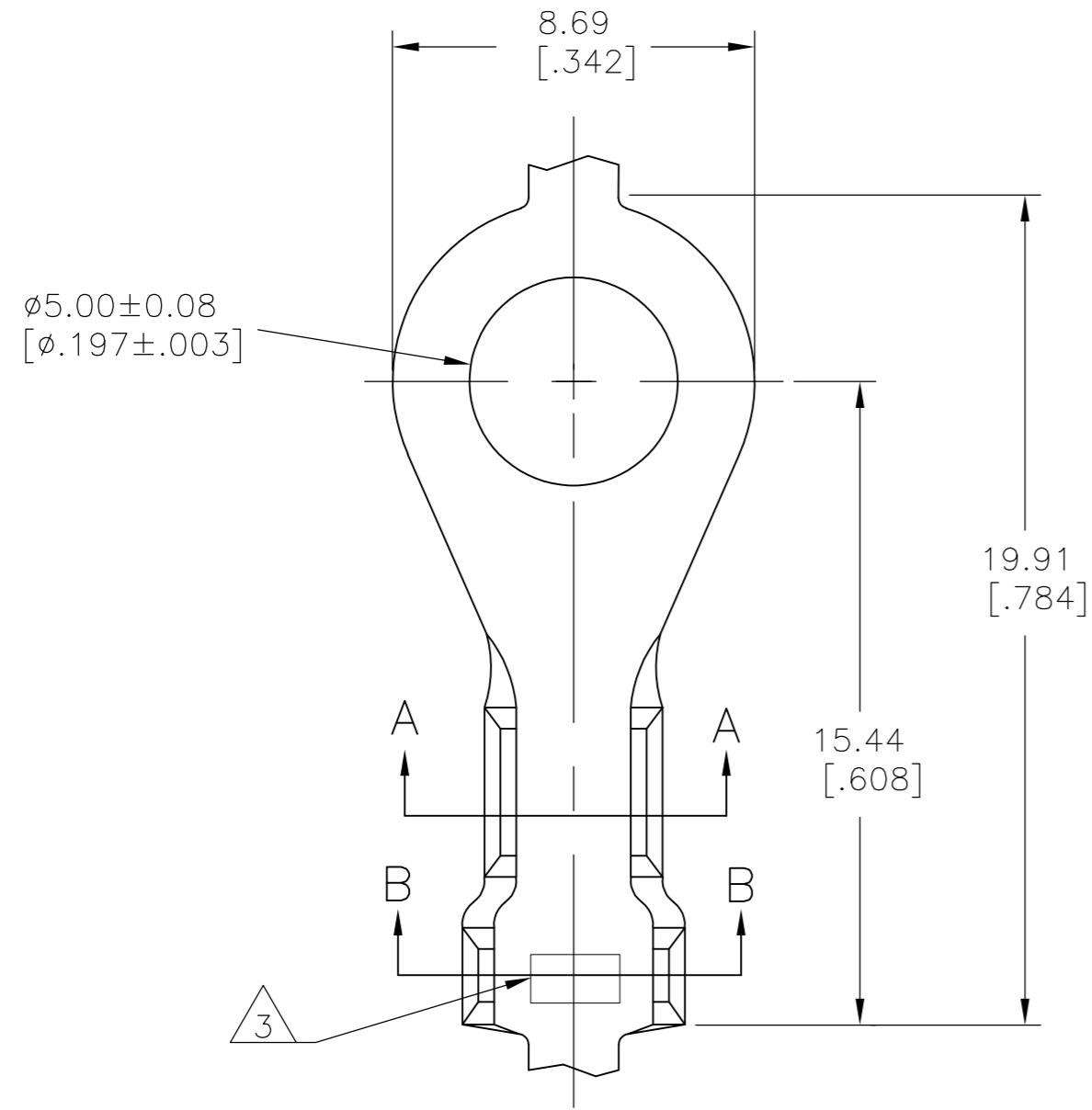
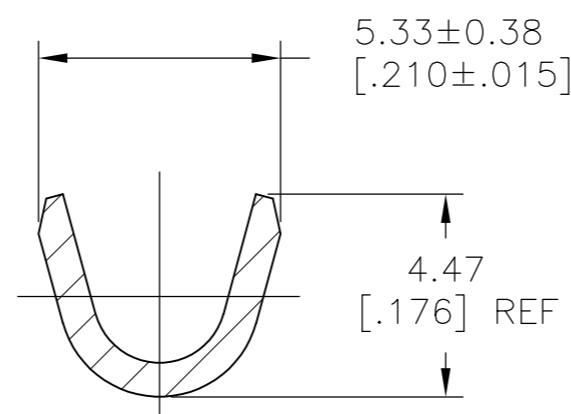


THIS DRAWING IS UNPUBLISHED. RELEASED FOR PUBLICATION
 © COPYRIGHT - By - ALL RIGHTS RESERVED.

LOC	DIST	REVISIONS			
P	LTR	DESCRIPTION	DATE	DWN	APVD
AF	50	AF3	REVISED PER ECO-11-004820	11MAR11	RK HMR



SECTION A-A



SECTION B-B

- 1 CONTINUOUS STRIP ON REELS.
- 2 TIN PLATING.
- 3 AMP STAMP: AMP FOR 40725, -2, & -3
AMP* FOR 40725-1.
- 4 SPECIAL PACKAGING.
- 5 FOR PROCESSING ONLY.

OBSOLETE	0.8-2.0mm ² [18-14] AWG	2.54-3.56 [.100-.140] DIA	2	082 BRASS	40725-4
			2	082 BRASS	40725-3
			-	082 BRASS	40725-2
			2	H03 PHOSPHOR BRONZE	40725-1
			2	082 BRASS	40725
WIRE RANGE	INSULATION RANGE	FINISH	MATERIAL	PART NUMBER	
THIS DRAWING IS A CONTROLLED DOCUMENT.			DWN 02JAN2001 MICHAEL S. FEHER		
			CHK 23JAN2001 DONDAL DECKER		
DIMENSIONS: mm [INCHES]			APVD 23JAN2001 DONDAL DECKER	NAME	
TOLERANCES UNLESS OTHERWISE SPECIFIED:			PRODUCT SPEC	NOS 10 STUD, TERMINAL, TONGUE, RING	
0 PLC ± -			APPLICATION SPEC	SIZE CAGE CODE DRAWING NO RESTRICTED TO	
1 PLC ± -				A2 00779 C=40725	
2 PLC ± 0.25[.010]				SCALE 6:1 SHEET 1 OF 1 REV AF3	
3 PLC ± -					
4 PLC ± -					
ANGLES ± 1°					
MATERIAL	FINISH	WEIGHT			
SEE TABLE	SEE TABLE	-			
CUSTOMER DRAWING					

Mouser Electronics

Authorized Distributor

Click to View Pricing, Inventory, Delivery & Lifecycle Information:

[TE Connectivity:](#)

[40725-3](#)