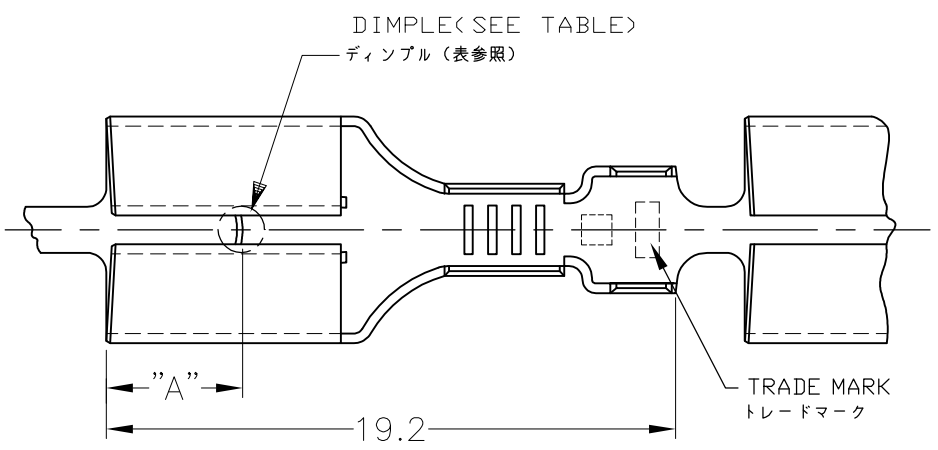
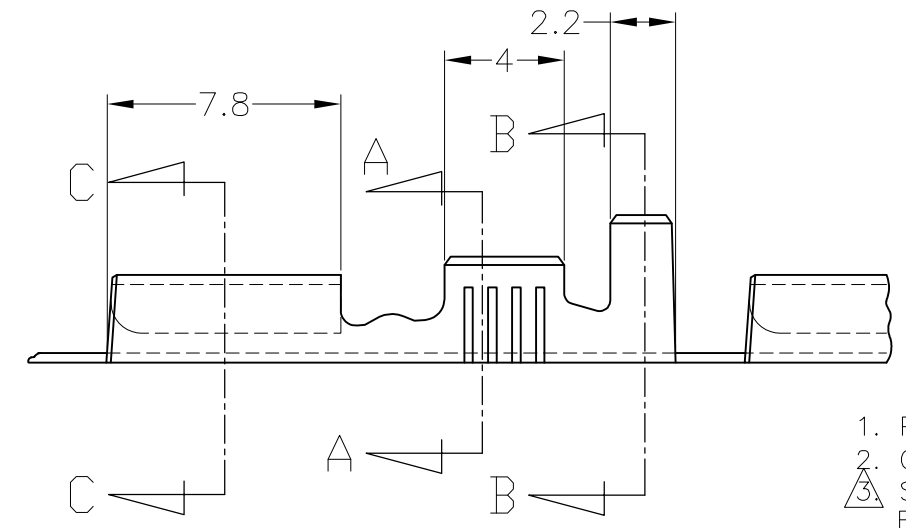
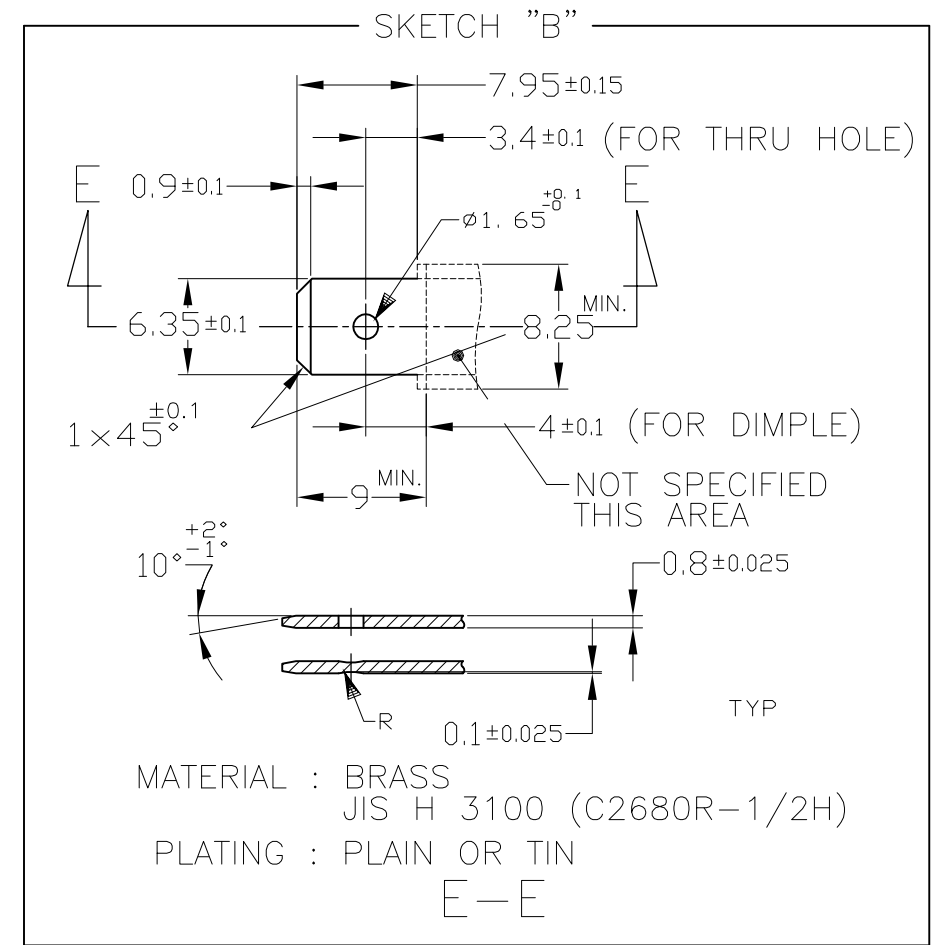
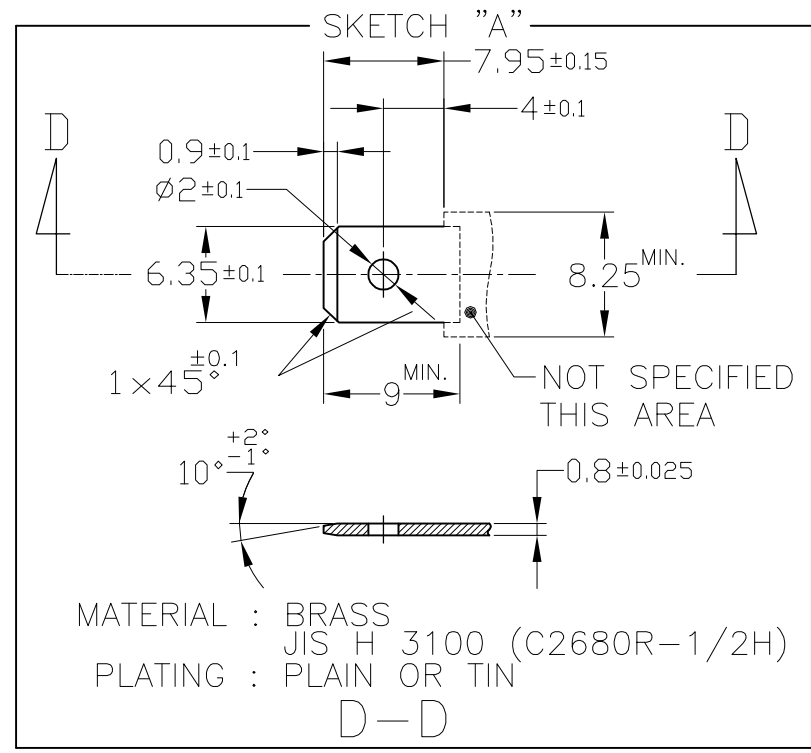


THIS DRAWING IS UNPUBLISHED. RELEASED FOR PUBLICATION  
 © COPYRIGHT 2004 By - ALL RIGHTS RESERVED.

LOC	DIST	REVISIONS					
		P	LTR	DESCRIPTION	DATE	DWN	APVD
J	-		U2	REVISED PER ECR-15-013317	11MAR11	L.P	T.D
			U3	REVISED PER ECR-16-015552	3NOV2016	D.L	T.D



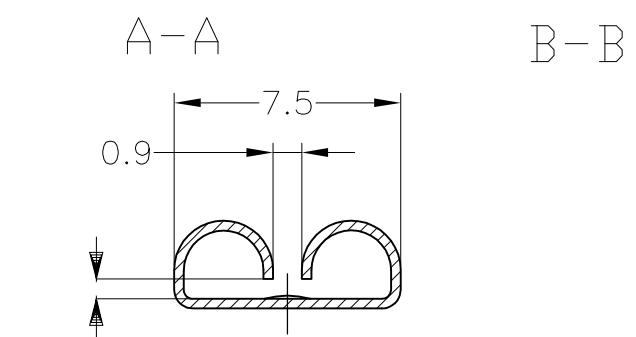
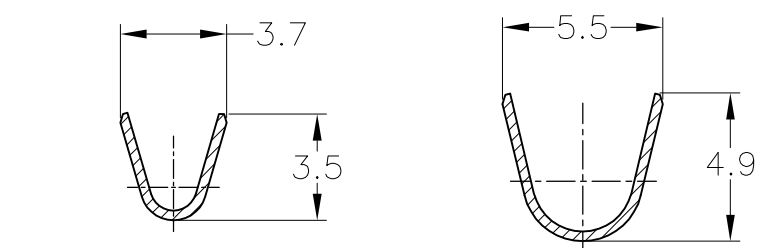
推奨タブ図  
 RECOMMENDED TAB DIMENSIONS



1. PRODUCT SPEC : 108-5153, 108-5169
2. CRIMP SPEC : 114-5052
3. STRESS RELIEVING FINISH IS SUBJECT TO CHANGE BY THE TYPE OF STRESS RELIVING PROCESS  
INERT GAS FURNACE - - - -MATTE  
ATOMOSPHERIC FURNACE FOLLOWED BY ACID PICKLE - - - -BRIGHT
4. ELIMINATION STRESS RELIVING PROCESS
5. PRODUCT SPECIFICATION: 108-5147
6. QUALIFICATION TEST REPORT: 501-5050

△ SEPARATE PAPER TYPE

1. 製品規格 : 108-5153, 108-5169
2. 取付適用規格 : 114-5052
3. ストレス除去処理  
処理方法により外観が変わります。  
不活性ガス加熱方式 - - - 無光沢  
大気加熱方式 - - - 光沢
4. ストレス除去処理をしない。
5. 製品規格 : 108-5147
6. 認定試験報告書 : 501-5050



この寸法は嵌合力によって管理する。  
 THIS DIMENSION IS CONTROLLED WITH MATING FORCE.



OBSELETE	AMP AUSTRALIAN PRODUCT アンプ オーストラリア製
----------	--

OBSELETE	SKETCH "A" OR "B"
----------	-------------------

170030-1 OR EQUIVALENT TO 170030	W/O DIMPLE	---	BRASS	---	---	8-170032-7
170256-3 OR EQUIVALENT TO 170256	W/O DIMPLE	TIN PLATING	BRASS	---	179461-5	6-170032-5
170030-1 OR EQUIVALENT TO 170030	W/O DIMPLE	△	BRASS	---	---	6-170032-2
170030-3 OR EQUIVALENT TO 170030	W/O DIMPLE	TIN PLATING 錫メッキ	ZKLF-5 #4	---	---	170032-6
170256-3 OR EQUIVALENT TO 170256	W/O DIMPLE	TIN PLATING 錫メッキ	BRASS	---	179461-5	170032-5
SKETCH, "A"	WITH DIMPLE	TIN PLATING 錫メッキ	BRASS	4.5	---	170032-4
OBSELETE	SKETCH "A" OR "B"	---	BRASS	3.8	---	170032-3
170030-1 OR EQUIVALENT TO 170030	W/O DIMPLE	---	BRASS	---	---	170032-2
SKETCH, "A"	WITH DIMPLE	---	BRASS	4.5	---	170032-1
MATING TAB	DIMPLE	FINISH	MATERIAL	"A"	LOOSE PIECE NUMBER	PART NUMBER

THIS DRAWING IS A CONTROLLED DOCUMENT.

DIMENSIONS: 単位: 概 mm	TOLERANCES UNLESS OTHERWISE SPECIFIED: 一般公差 ±0.4
	0-PLC ± 1-PLC ± 2-PLC ± 3-PLC ± 4-PLC ± ANGLES ±3° FINISH 仕上 SEE TABLE △
WIRE RANGE 0.5-2.27mm <sup>2</sup> (AWG20-14)	MATERIAL 材料 0.32 THK
INSULATION DIA. 2.16~3.43mmφ	

DWN A.YAMAGUCHI 23JUN04	CHK K.BETSUI 19SEP2015
APVD K.BETSUI 23JUN04	NAME 名称
PRODUCT SPEC 製品規格 SEE NOTE	
APPLICATION SPEC 取付適用規格	
WEIGHT	

TE Connectivity			
250 SERIES RECEPTACLE WITHOUT LATCH			
SIZE A3	CAGE CODE 00779	DRAWING NO C-170032	RESTRICTED TO
CUSTOMER DRAWING		SCALE 尺度 4:1	SHEET 1 OF 1
		REV U3	

# Mouser Electronics

Authorized Distributor

Click to View Pricing, Inventory, Delivery & Lifecycle Information:

[TE Connectivity:](#)

[170032-2](#) [170032-2 \(Mouser Reel\)](#) [170032-2 \(Cut Strip\)](#)