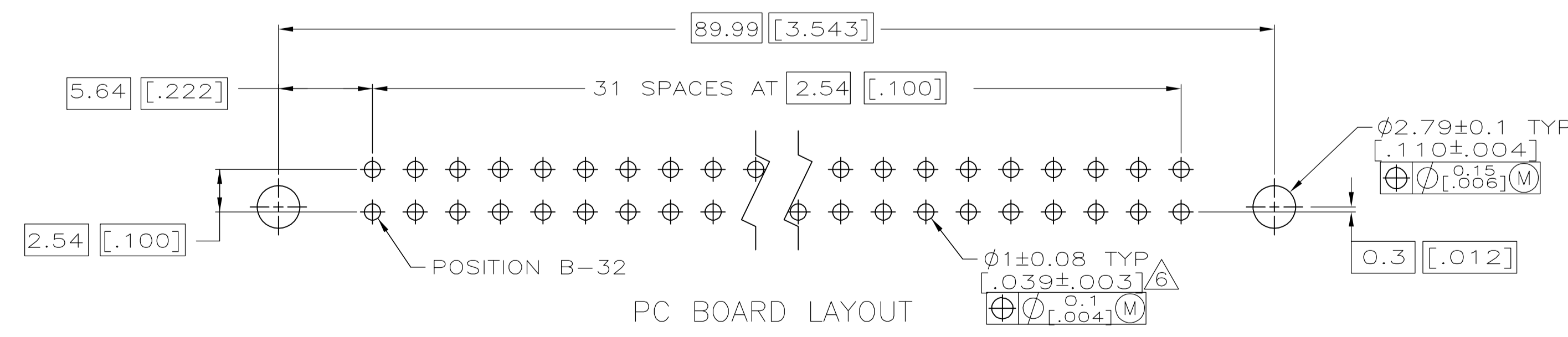
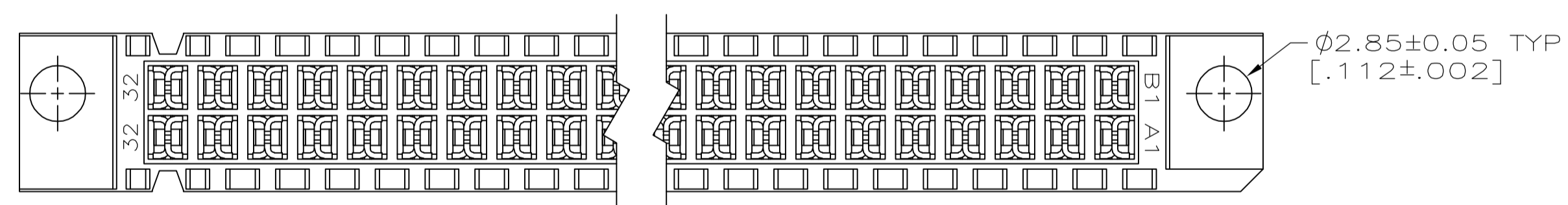
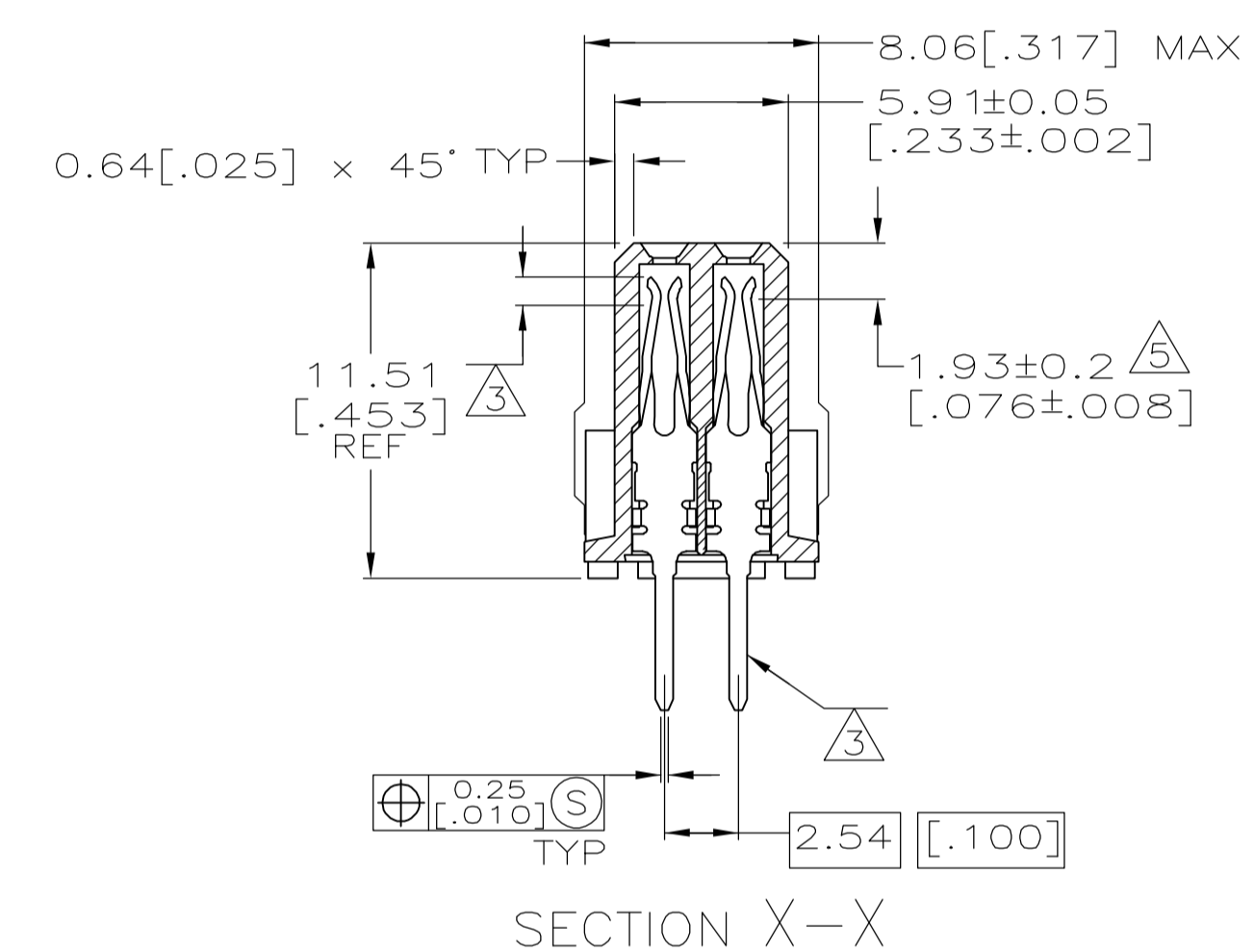
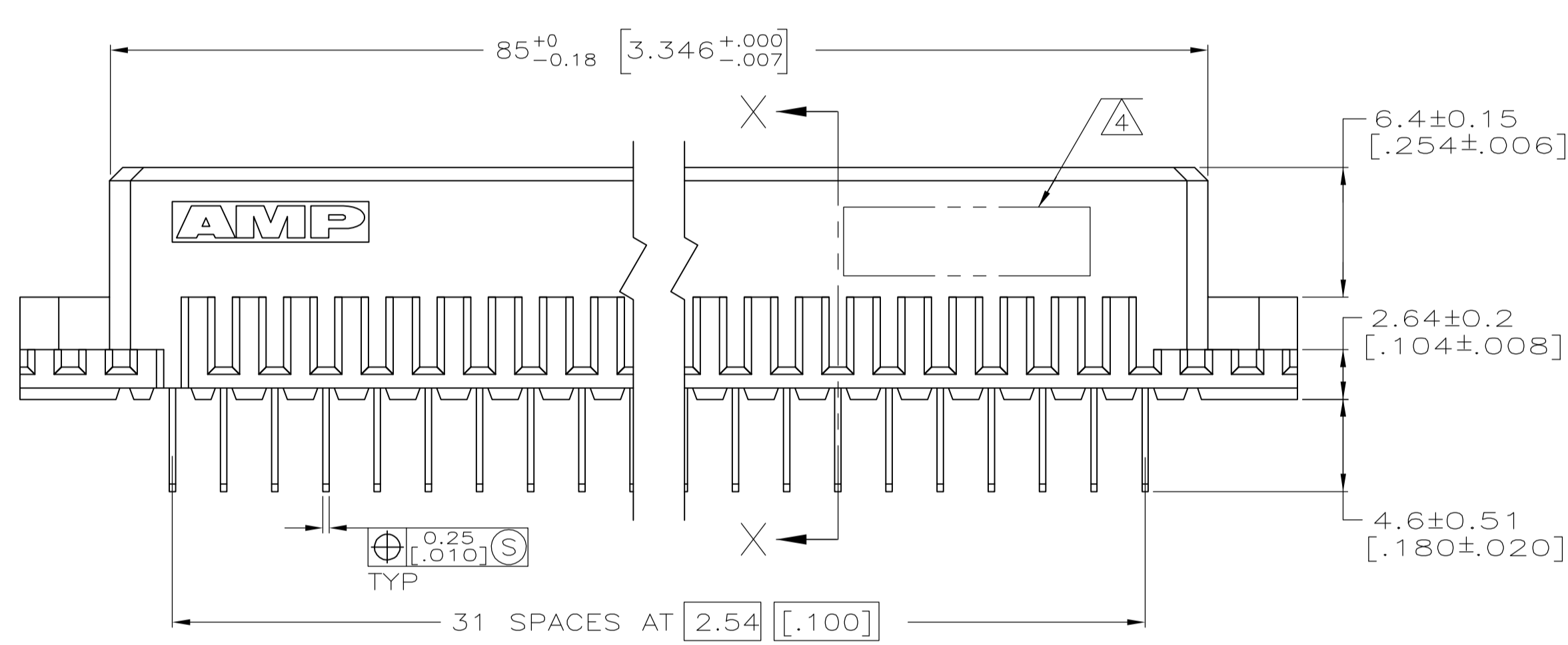
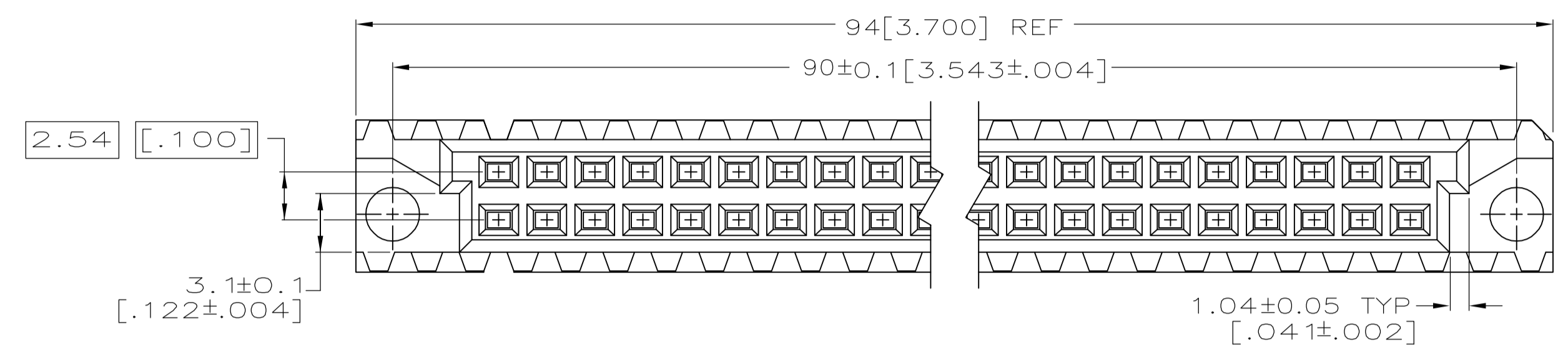


- ① HOUSING MATERIAL: GLASS-FILLED POLYMER.
- ② CONTACT MATERIAL: COPPER ALLOY.
- ③ CONTACT FINISH: DIN 41612 CLASS 2 IN CONTACT AREA. TIN PLATE ON POSTS.
- ④ PART NUMBER, DATE CODE IDENTIFICATION, CSA LOGO IN THIS APPROXIMATE AREA, ON REVERSE SIDE.
- ⑤ CONTACT POINT.
- ⑥ RECOMMENDED HOLE SIZE FOR MANUAL APPLICATION OF CONNECTOR ONTO PC BOARD.



1 THRU 32	X	X	64	5650861-5
1 THRU 32	X	X	64	5650861-4
POSITIONS LOADED	B	A	NO. OF LOADED POSITIONS	ASSY PART NUMBER
	ROWS LOADED			

THIS DRAWING IS A CONTROLLED DOCUMENT.		DWG J. POLIGNONE	03JUN05	Tyco Electronics Corporation Harrisburg, Pa 17105-3608
DIMENSIONS: mm [INCHES]		CHK A. SHARPE	03JUN05	
TOLERANCES UNLESS OTHERWISE SPECIFIED:		APVD A. SHARPE	03JUN05	NAME ASSEMBLY, RECEPTACLE, EUROCARD, TYPE B, LEAD-FREE, 64 POSITION, 4.57 [.180] SOLDER POSTS
0 PLC ± - 1 PLC ± - 2 PLC ± - 3 PLC ± 0.1 [.005] 4 PLC ± - ANGLES ± -		PRODUCT SPEC	APPLICATION SPEC	
MATERIAL	FINISH	SIZE	SCALE	RESTRICTED TO
		A1 00779	C=5650861	
CUSTOMER DRAWING		SCALE 4:1	SHEET 1 OF 1	REV 0

Mouser Electronics

Authorized Distributor

Click to View Pricing, Inventory, Delivery & Lifecycle Information:

[TE Connectivity:](#)

[5650861-5](#)