



ALL NEW PRODUCTS!

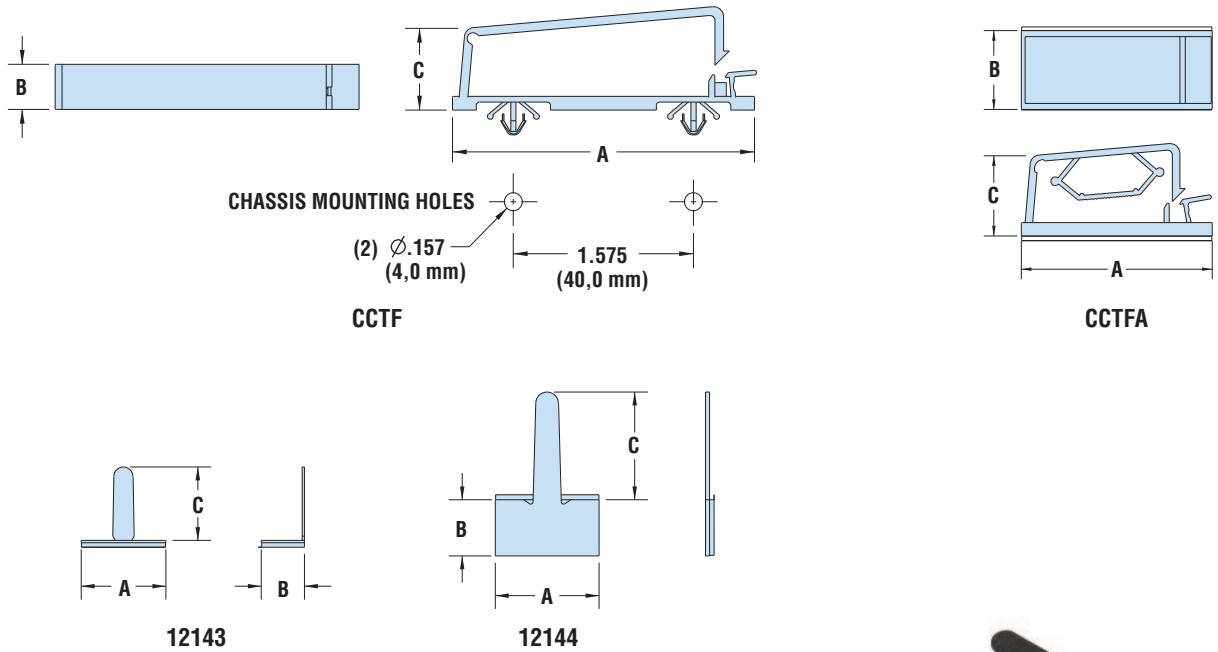
Heyco® Compression Cable Clamps

WIRE CAPACITY		Pin Count	PART NO.	DESCRIPTION	PART DIMENSIONS					
Volume					A	B		C		
in.	mm.			Length	Width		Height			
				in.	mm.	in.	mm.	in.	mm.	
Double Arrowhead Mount										
2.11 x .45	53,5 x 11,5	40	12121	CCTF-40A	2.64	67,0	.39	10,0	.63	16,0
Adhesive Back Mount										
1.26 x .45	32,0 x 11,5	30	12124	CCTFA-30	1.77	45,0	.73	18,6	.62	15,8
2.57 x .41	65,2 x 10,5	50	12126	CCTFA-50	3.08	78,3	.74	18,8		

Standard color natural.



- Hinged style allows for easy addition or removal of cables.
- Secures cable into place with easy installation.
- Will not strain cable.



Heyco® Cable Stays

Adhesive Back Mount

ALL NEW PRODUCTS!

Base Length		Base Width		Tongue Length		PART NO.	DESCRIPTION
in.	mm.	in.	mm.	in.	mm.		
.59	15,1	.30	7,7	.52	13,1	12143	CS-5930A
.73	18,5	.39	10,0	.76	19,2	12144	CS-7339A



- Provide a secure, yet simple fastening for cables.
- Adhesive back mount results in a very secure attachment.

Material	Compression Cable Clamps	Material	Cable Stays
Flammability Rating	Nylon 6/6	Temperature Range	Electrolytic Tin-Plated Steel with 3M Adhesive Tape
Temperature Range	94V-2		Application Temperature: 70°F (21°C) to 100°F (38°C)
	32°F (0°C) to 185°F (85°C)		Operating Temperature: -40°F (-40°C) to 176°F (80°C)

Mouser Electronics

Authorized Distributor

Click to View Pricing, Inventory, Delivery & Lifecycle Information:

[Heyco:](#)

[3822](#) [3821](#) [3823](#) [3335](#) [3341](#) [3338](#) [3337](#) [3339](#) [3336](#) [3824](#) [3337-P](#) [3335-P](#) [3821-P](#) [3336-P](#) [3338-P](#) [3822-P](#)
[3341-P](#) [3339-P](#) [3336AB](#) [3336A](#) [3823-P](#) [3824-P](#)